



US00D806633S

(12) **United States Design Patent** (10) **Patent No.:** **US D806,633 S**
Setter et al. (45) **Date of Patent:** **** *Jan. 2, 2018**

(54) **WHEEL**

(71) Applicant: **Jaguar Land Rover Limited**, Whitley, Coventry (GB)

(72) Inventors: **Adam Setter**, Coventry (GB); **Michael O'Neill**, Coventry (GB)

(73) Assignee: **Jaguar Land Rover Limited**, Whitley, Coventry (GB)

(*) Notice: This patent is subject to a terminal disclaimer.

(**) Term: **15 Years**

(21) Appl. No.: **29/598,038**

(22) Filed: **Mar. 22, 2017**

Related U.S. Application Data

(62) Division of application No. 29/566,716, filed on Jun. 2, 2016, now Pat. No. Des. 784,898, which is a division of application No. 29/532,695, filed on Jul. 9, 2015, now Pat. No. Des. 759,563.

(30) **Foreign Application Priority Data**

Jan. 9, 2015 (EM) 002611020
Jul. 1, 2015 (EM) 002729772

(51) **LOC (11) Cl.** **12-16**

(52) **U.S. Cl.**
USPC **D12/211**

(58) **Field of Classification Search**
USPC D12/204–213
CPC B60B 7/00; B60B 7/02; B60B 7/04; B60B 7/01; B60B 7/06; B60B 3/02; B60B 3/04; B60B 3/06; B60B 3/10; B60B 1/00; B60B 1/08; B60B 1/10; B60B 1/12
See application file for complete search history.

(56) **References Cited**

U.S. PATENT DOCUMENTS

D477,556	S	*	7/2003	Koch	D12/211
D508,007	S	*	8/2005	Koch	D12/211
D609,624	S	*	2/2010	Matsubara	D12/211
D619,071	S	*	7/2010	Christensen	D12/211
D620,871	S	*	8/2010	Juergens	D12/211
D635,077	S	*	3/2011	Nordmann	D12/209
D686,965	S	*	7/2013	Pollmann	D12/211
D691,080	S	*	10/2013	Stucki	D12/211
D717,711	S	*	11/2014	Kern	D12/211
D727,822	S	*	4/2015	Wheel	D12/209
D738,281	S	*	9/2015	Watkin	D12/211
D740,734	S	*	10/2015	Wheel	D12/209
D741,772	S	*	10/2015	Lesnik	D12/211
D745,842	S	*	12/2015	Wheel	D12/209
D781,205	S	*	3/2017	O'Neill	D12/211
D787,411	S	*	5/2017	Peat	D12/211

* cited by examiner

Primary Examiner — Stacia Cadmus

(74) *Attorney, Agent, or Firm* — Wood Herron & Evans LLP

(57) **CLAIM**

The ornamental design for a wheel, as shown and described.

DESCRIPTION

FIG. 1 is a front perspective view of a wheel according to the present invention.

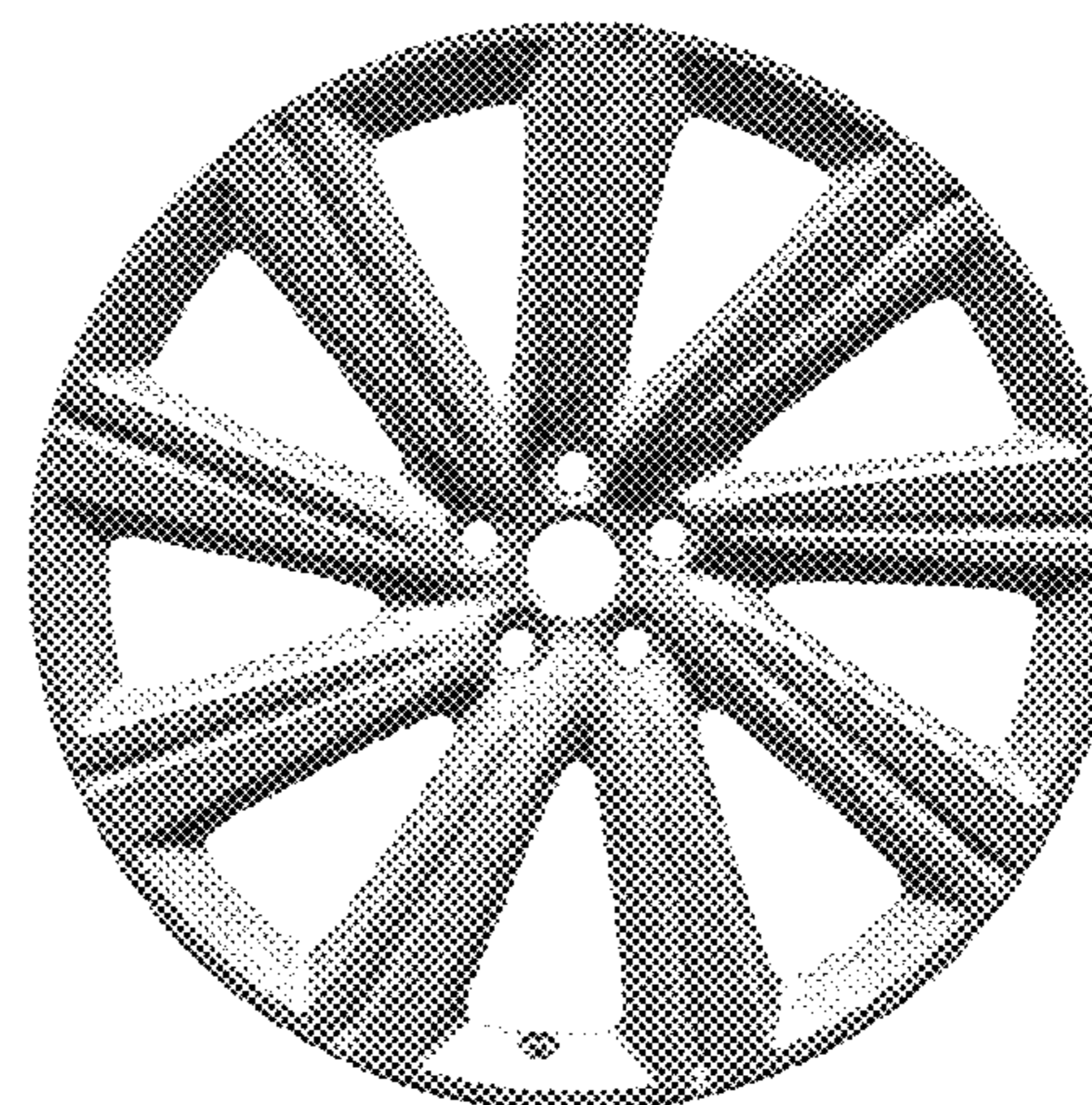
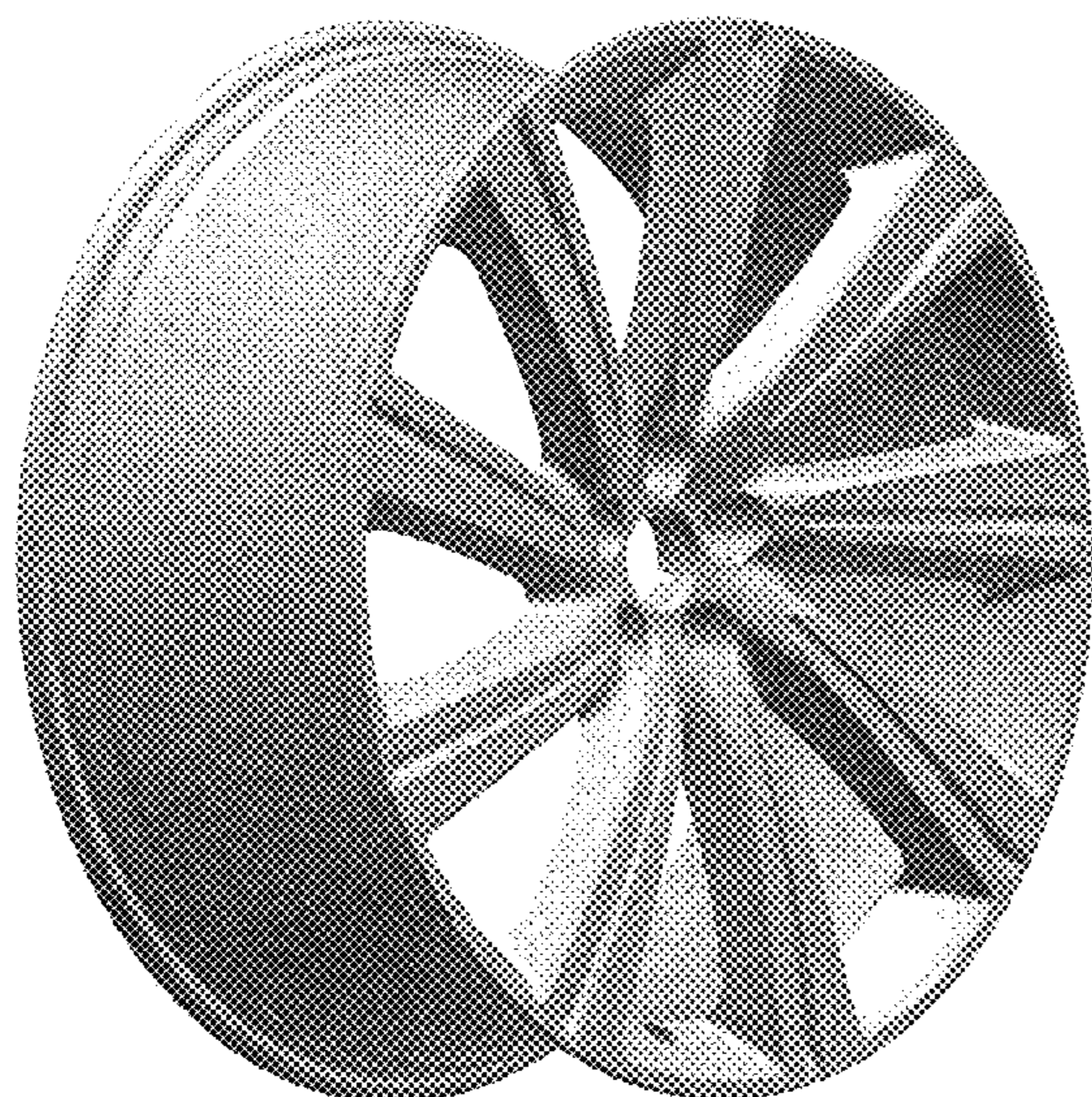
FIG. 2 is a front view thereof.

FIG. 3 is a left side view thereof, the right side being a mirror image thereof.

FIG. 4 is a rear view thereof; and,

FIG. 5 is a rear perspective view thereof.

1 Claim, 3 Drawing Sheets



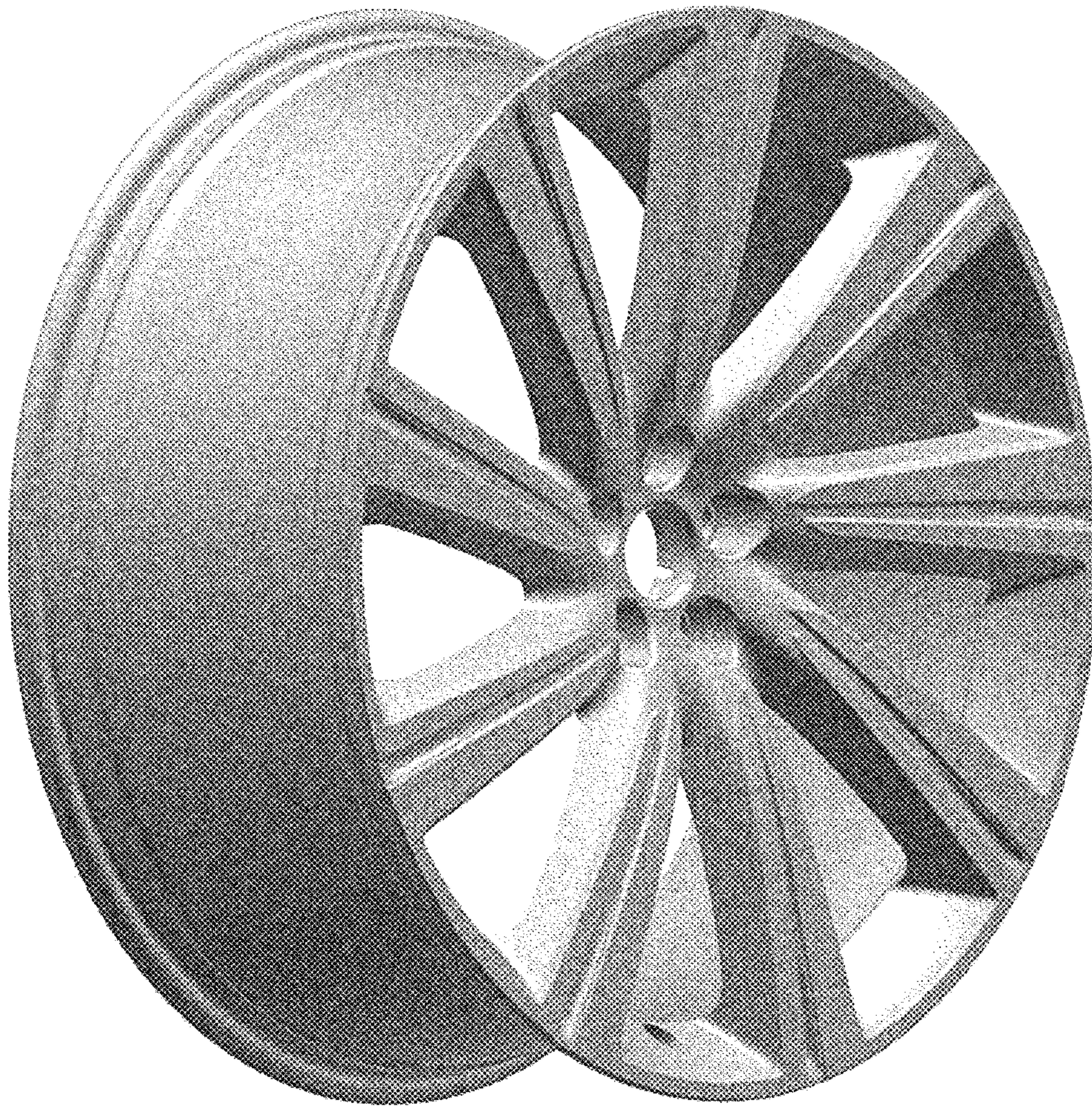


FIG. 1

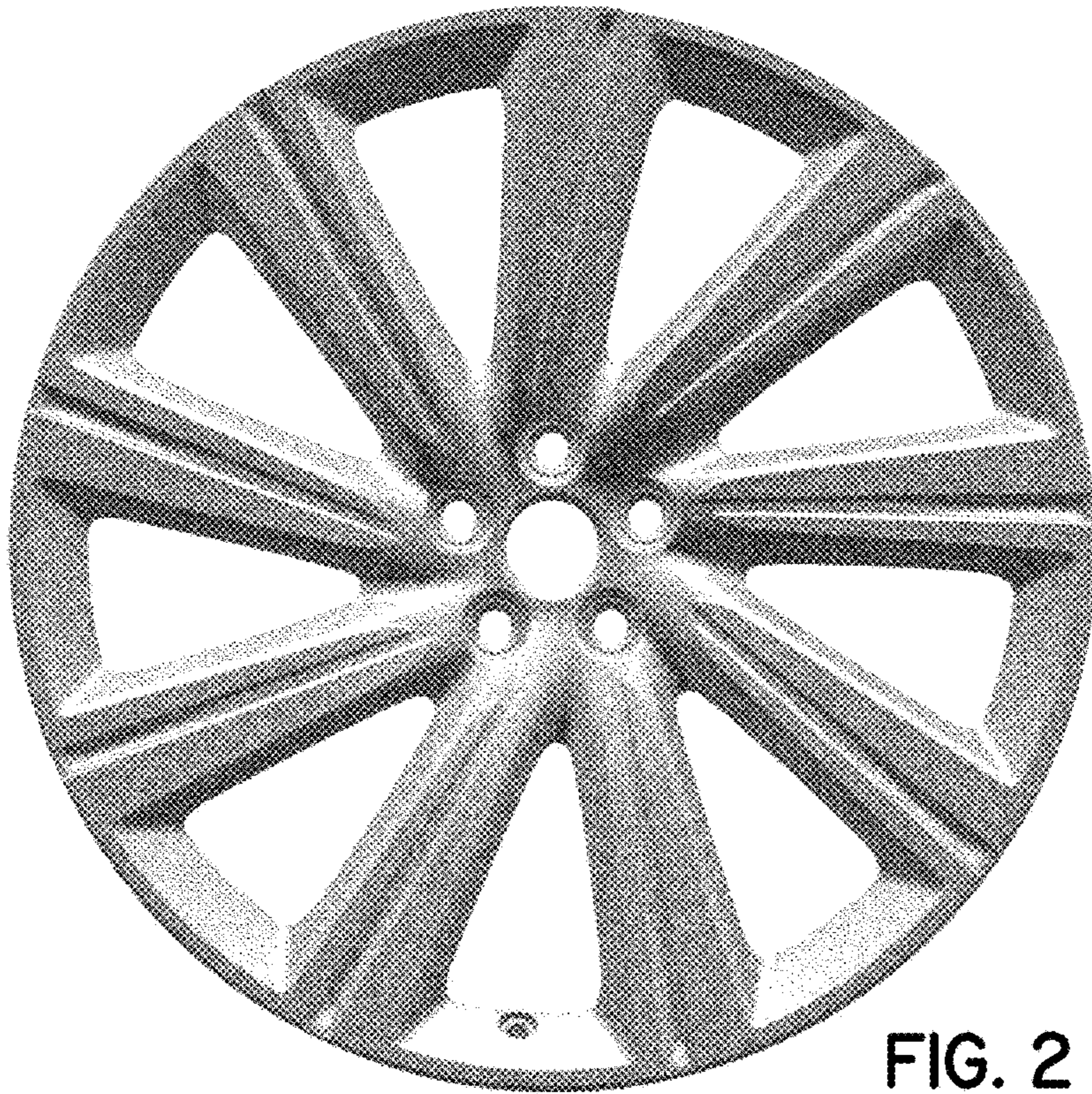


FIG. 2

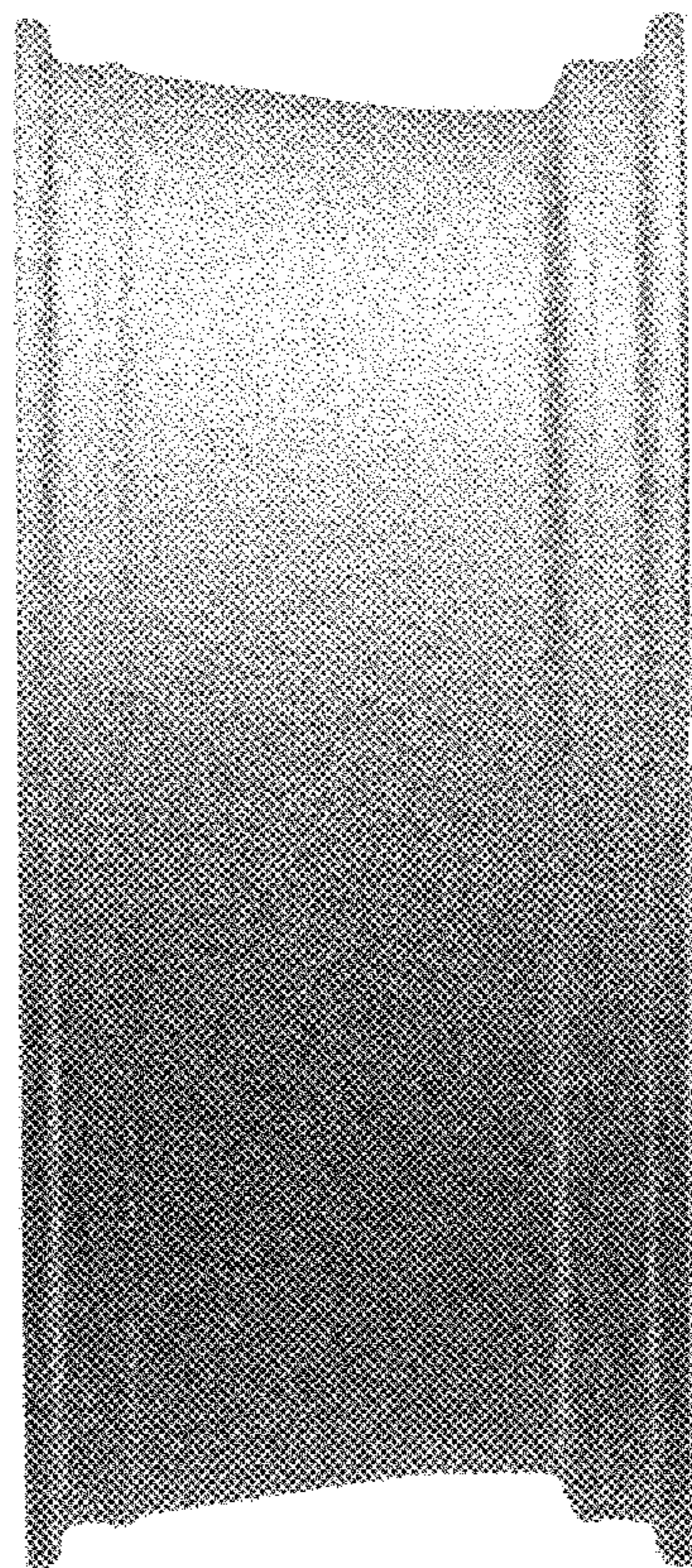


FIG. 3

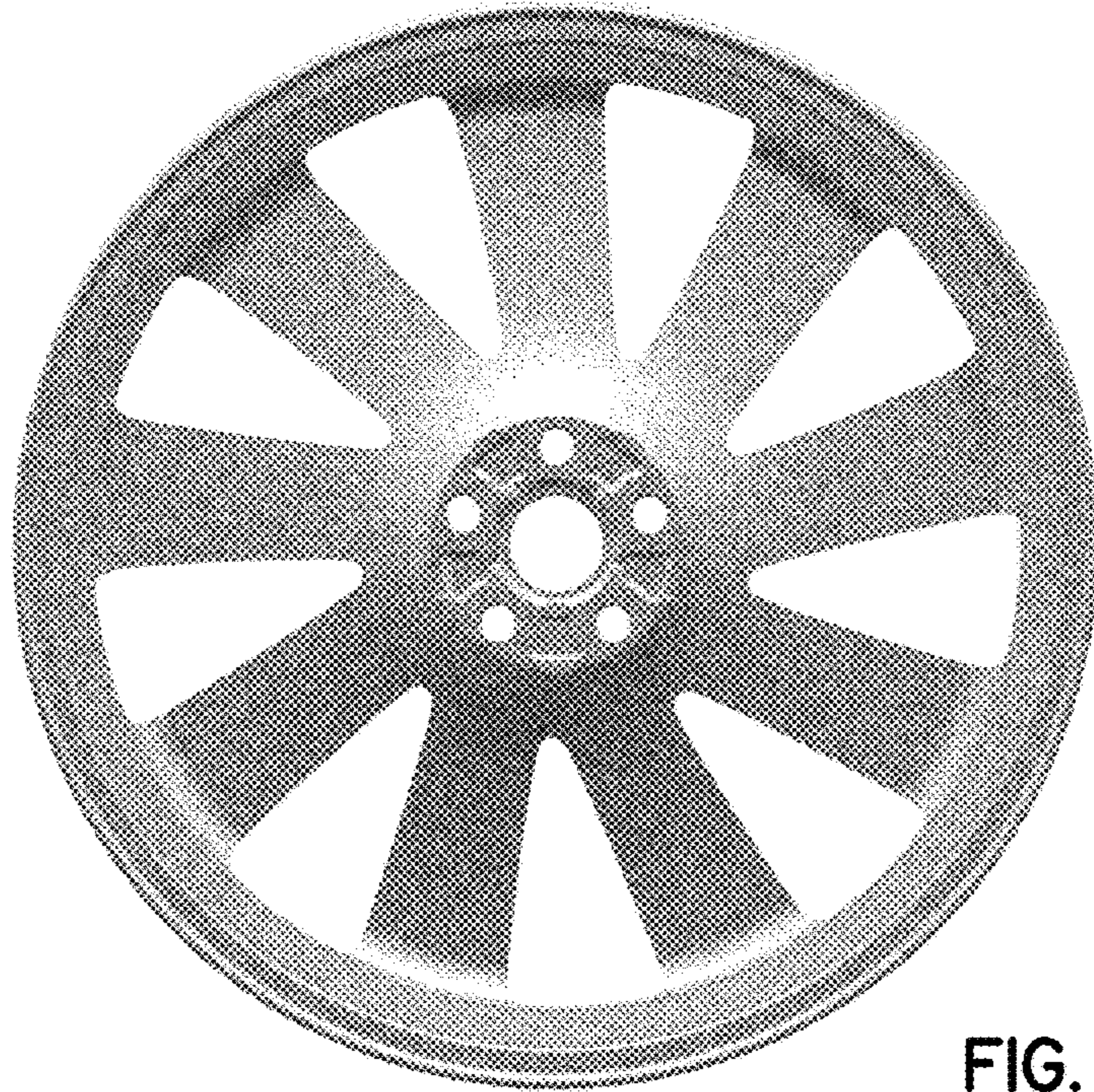


FIG. 4



FIG. 5