



US00D806632S

(12) **United States Design Patent**  
**Peat**

(10) **Patent No.:** **US D806,632 S**  
(45) **Date of Patent:** **\*\* Jan. 2, 2018**

- (54) **WHEEL**
- (71) Applicant: **Jaguar Land Rover Limited**, Whitley, Coventry (GB)
- (72) Inventor: **Anthony Peat**, Coventry (GB)
- (73) Assignee: **Jaguar Land Rover Limited**, Whitley, Coventry (GB)
- (\*\*) Term: **15 Years**
- (21) Appl. No.: **29/579,547**
- (22) Filed: **Sep. 30, 2016**
- (30) **Foreign Application Priority Data**

Apr. 25, 2016 (EM) ..... 003085992-0001

- (51) **LOC (11) Cl.** ..... **12-16**
- (52) **U.S. Cl.**  
USPC ..... **D12/211**

- (58) **Field of Classification Search**  
USPC ..... D12/204–213  
CPC .... B60B 7/00; B60B 7/02; B60B 7/04; B60B 7/01; B60B 7/06; B60B 3/02; B60B 3/04; B60B 3/06; B60B 3/10; B60B 1/00; B60B 1/08; B60B 1/10; B60B 1/12  
See application file for complete search history.

(56) **References Cited**

**U.S. PATENT DOCUMENTS**

D432,071 S	*	10/2000	Brown	.....	D12/211
D471,504 S	*	3/2003	Laengerer	.....	D12/211
D499,686 S	*	12/2004	Song	.....	D12/211
D500,005 S	*	12/2004	van Hooydonk	.....	D12/211
D526,947 S	*	8/2006	Kim	.....	D12/209
D526,948 S	*	8/2006	Truebsbach	.....	D12/211
D583,742 S	*	12/2008	Juergens	.....	D12/211

D617,719 S	*	6/2010	Zhao	.....	D12/211
D618,156 S	*	6/2010	Zhao	.....	D12/211
D619,952 S	*	7/2010	Juergens	.....	D12/211
D667,769 S	*	9/2012	Pollmann	.....	D12/209
D671,480 S	*	11/2012	Cepkova	.....	D12/209
D688,185 S	*	8/2013	Baum	.....	D12/209
D712,331 S	*	9/2014	Breyton	.....	D12/209
D723,996 S	*	3/2015	Zhao	.....	D12/211
D751,488 S	*	3/2016	Zhao	.....	D12/211
D768,048 S	*	10/2016	Johnson	.....	D12/211
D777,640 S	*	1/2017	Bazinski	.....	D12/211
D792,311 S	*	7/2017	Gallert	.....	D12/211

\* cited by examiner

*Primary Examiner* — Stacia Cadmus

(74) *Attorney, Agent, or Firm* — Wood Herron & Evans LLP

(57) **CLAIM**

The ornamental design for a wheel, as shown and described.

**DESCRIPTION**

FIG. 1 is a left front perspective view of a wheel according to the present invention.

FIG. 2 is a front view of the wheel shown in FIG. 1.

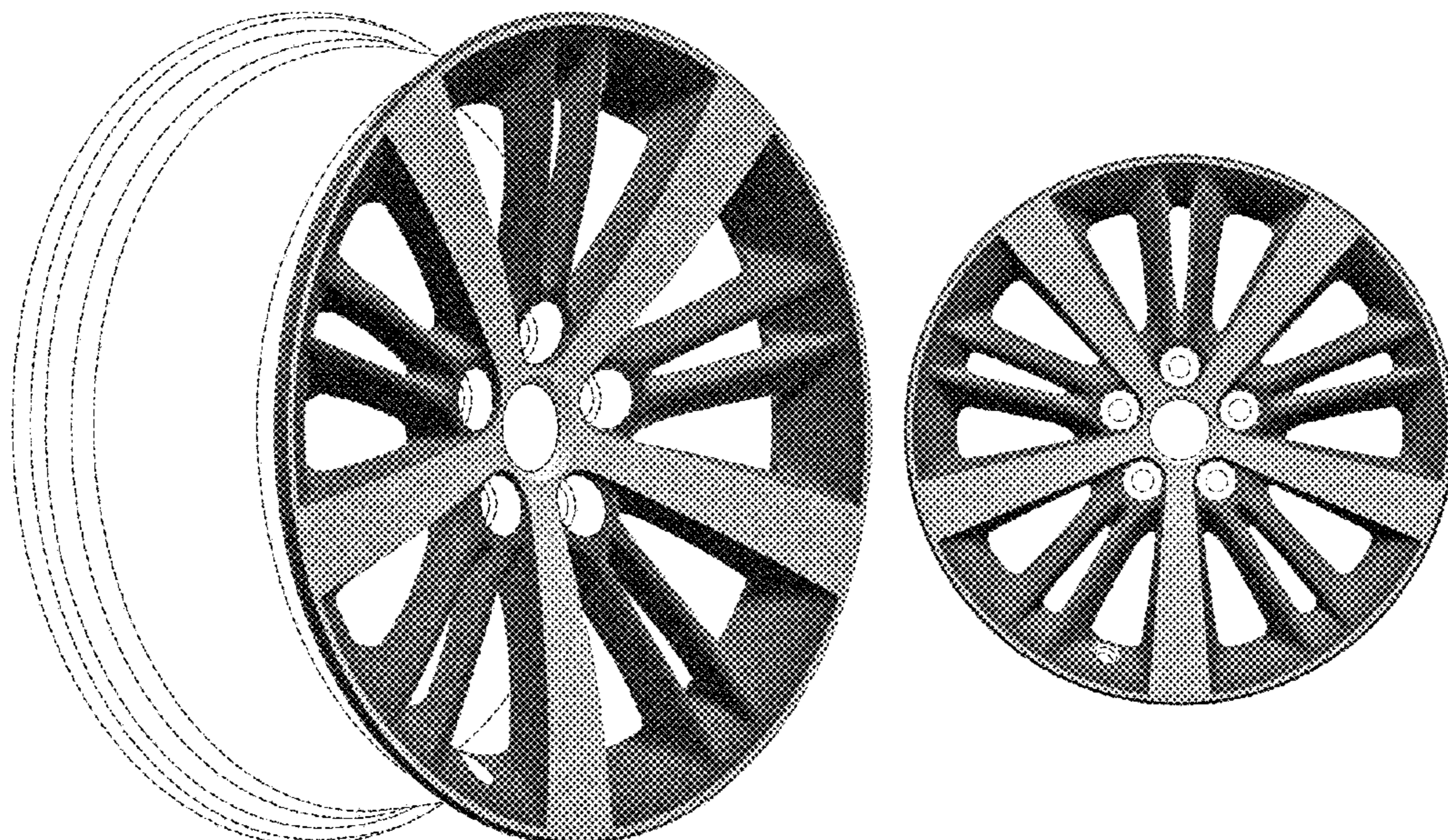
FIG. 3 is a left side view thereof, the right side being a mirror image thereof.

FIG. 4 is a left front perspective view of a wheel according to a second embodiment of the present invention.

FIG. 5 is a front view of the wheel shown in FIG. 4; and, FIG. 6 is a left side view thereof, the right side being a mirror image thereof.

In FIGS. 1-6, the broken lines comprise claim boundaries and neither the portions inside the broken lines nor the broken lines themselves form any part of the claimed invention. Also, the broken lines shown adjacent to the shaded portions form an unclaimed boundary of the design.

**1 Claim, 4 Drawing Sheets**



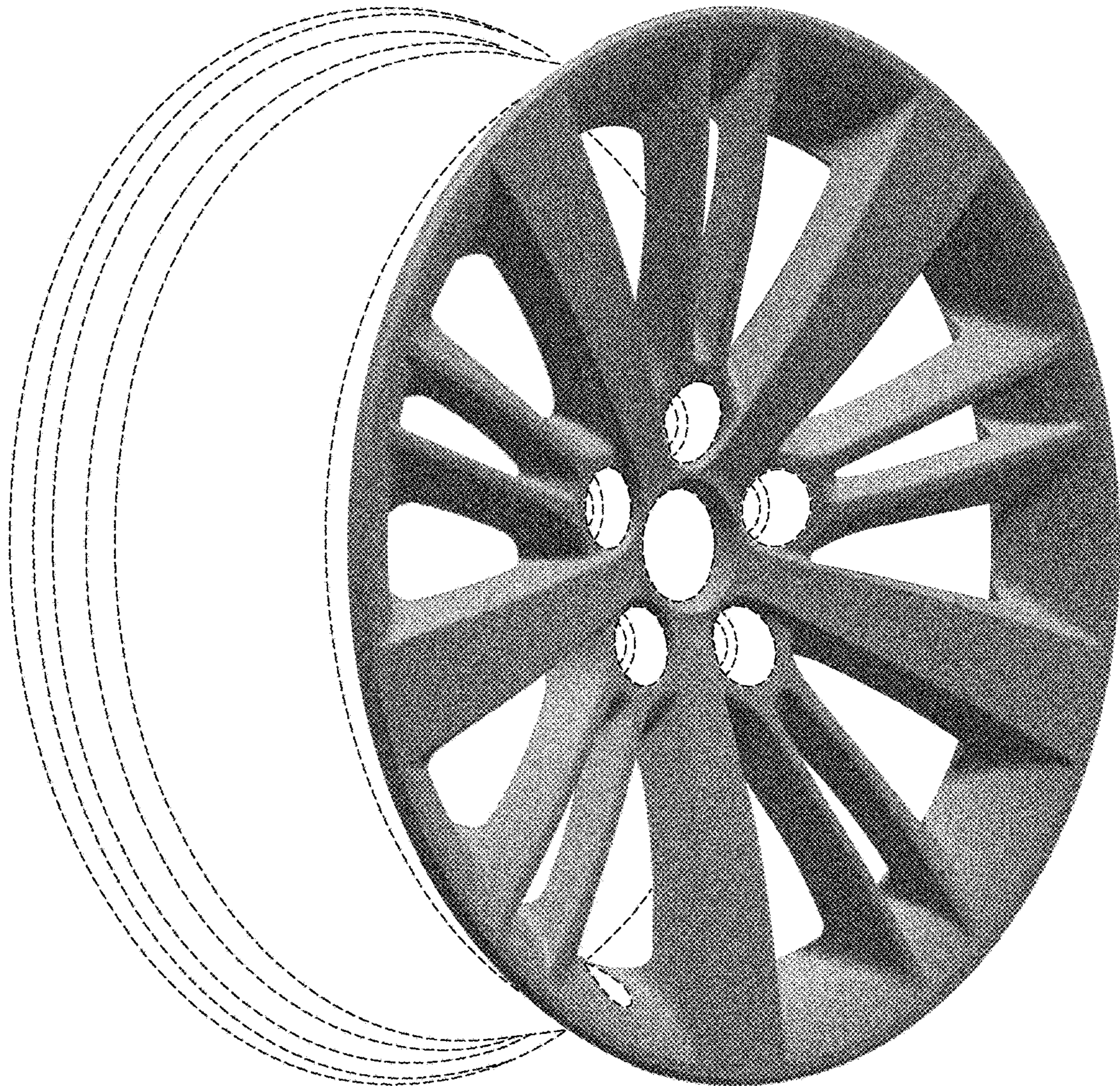


FIG. 1

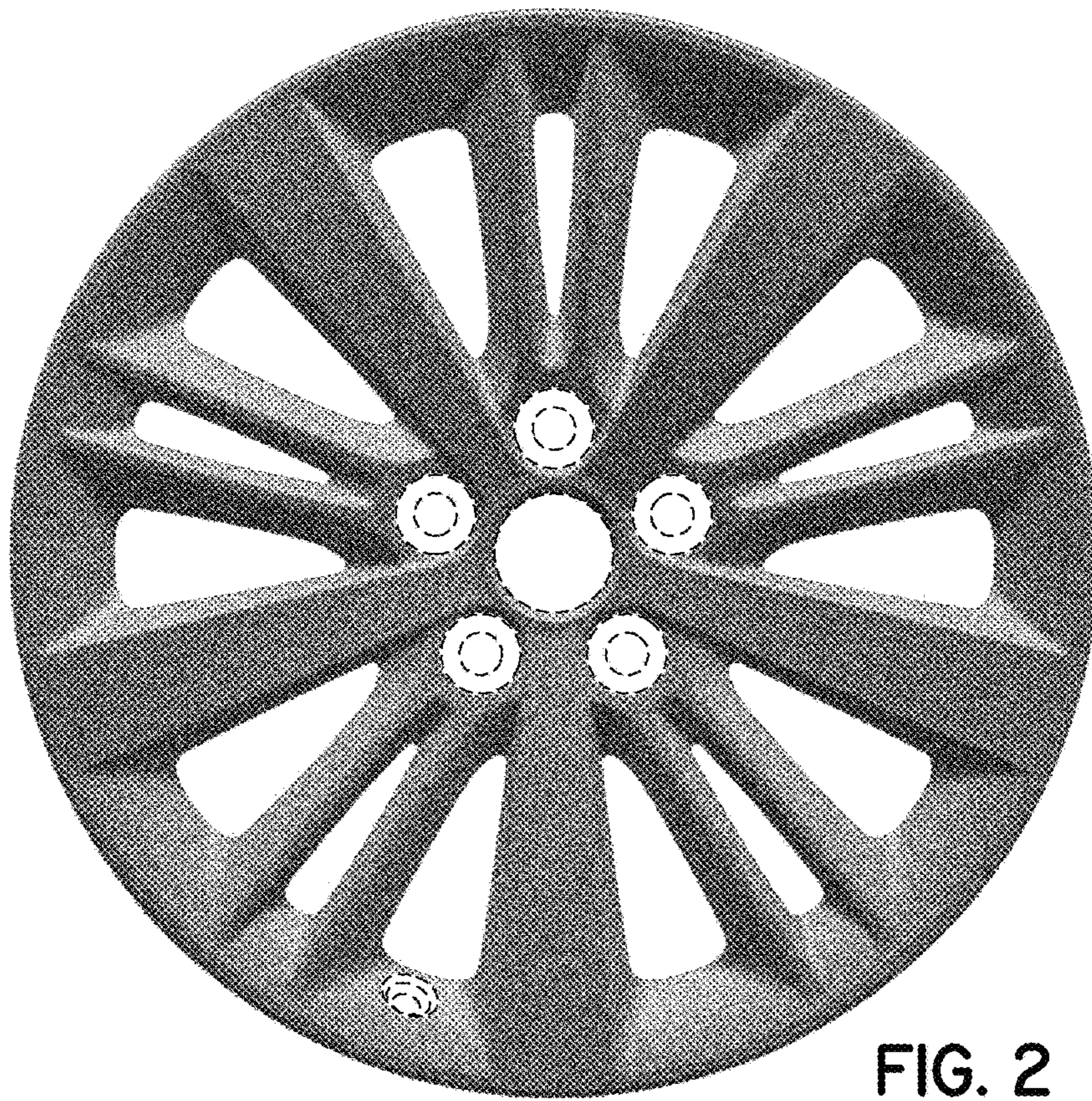


FIG. 2

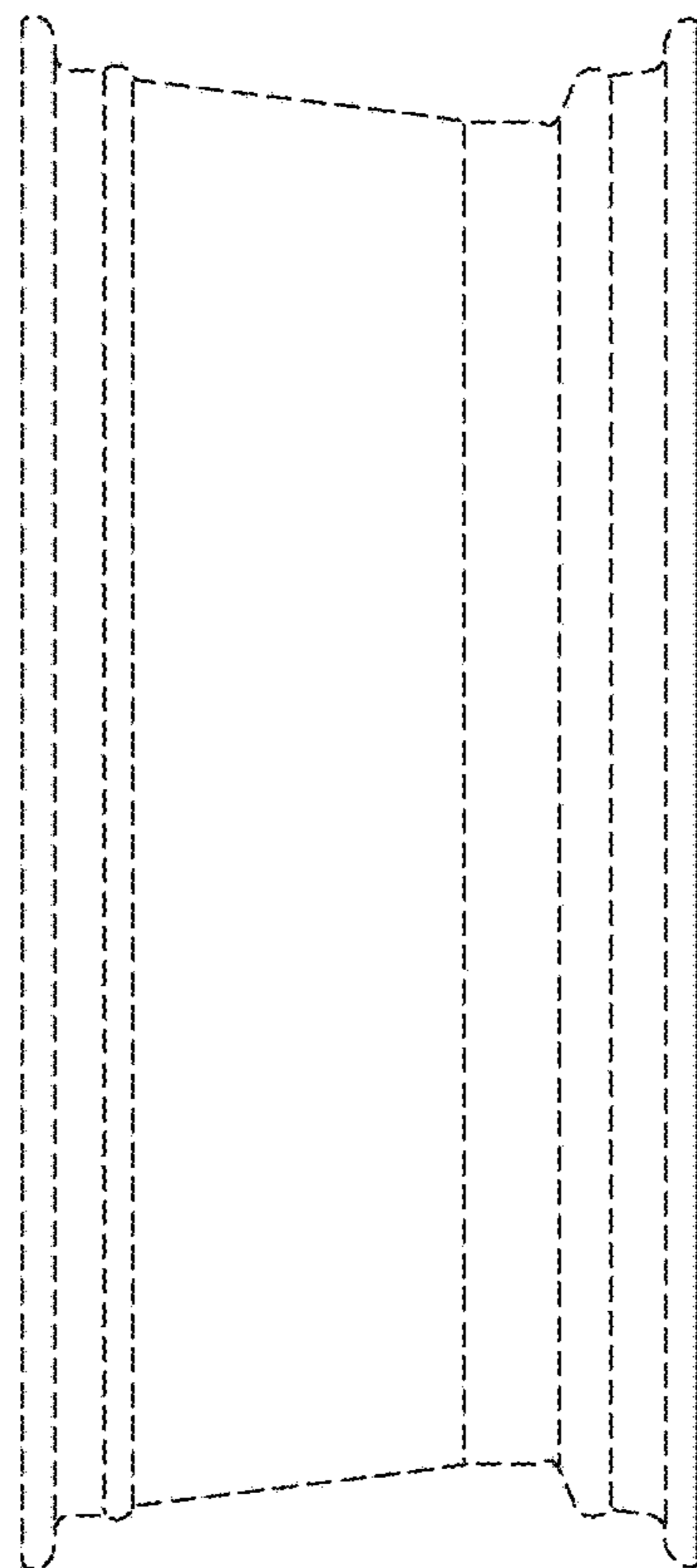


FIG. 3

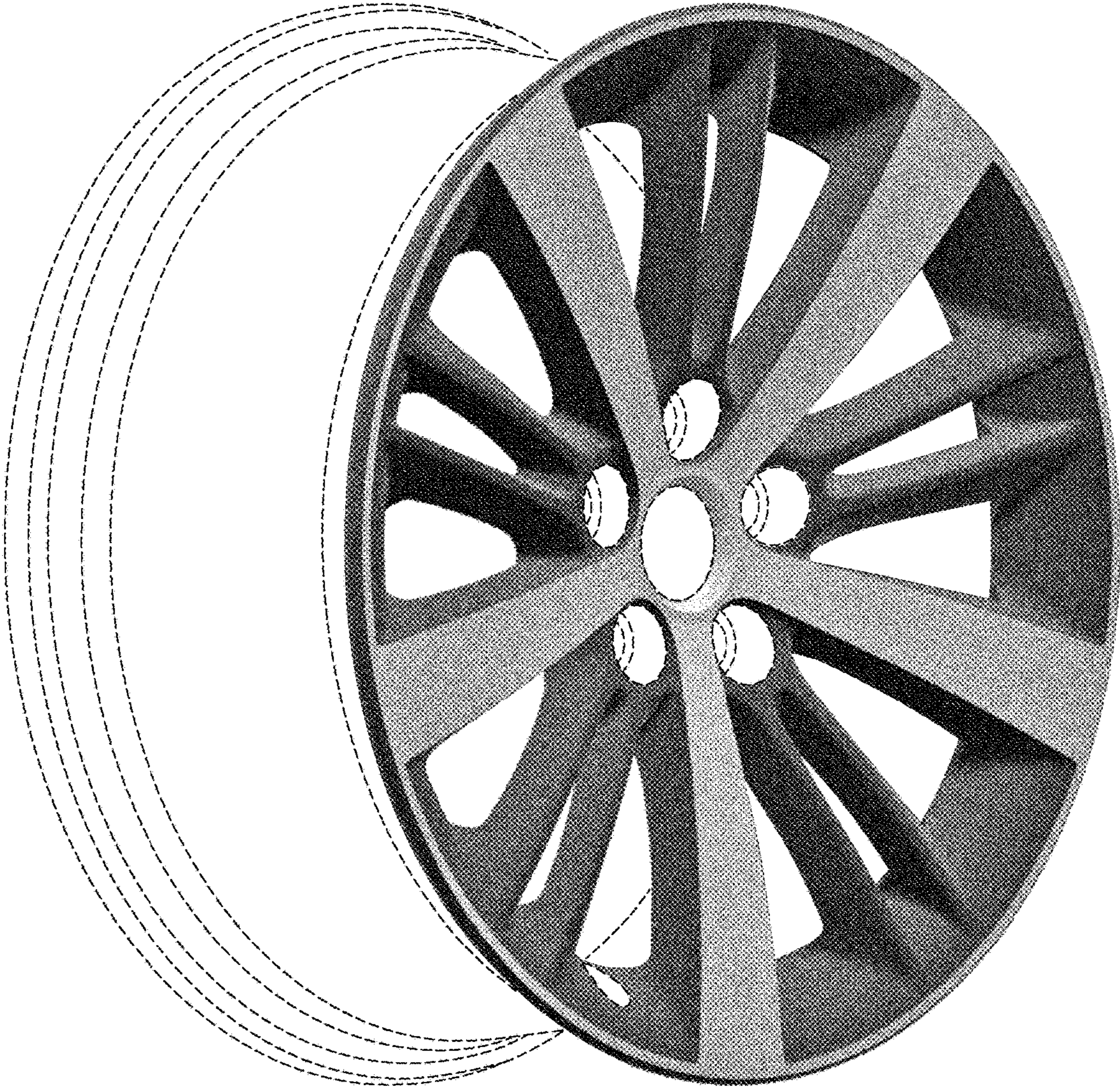


FIG. 4

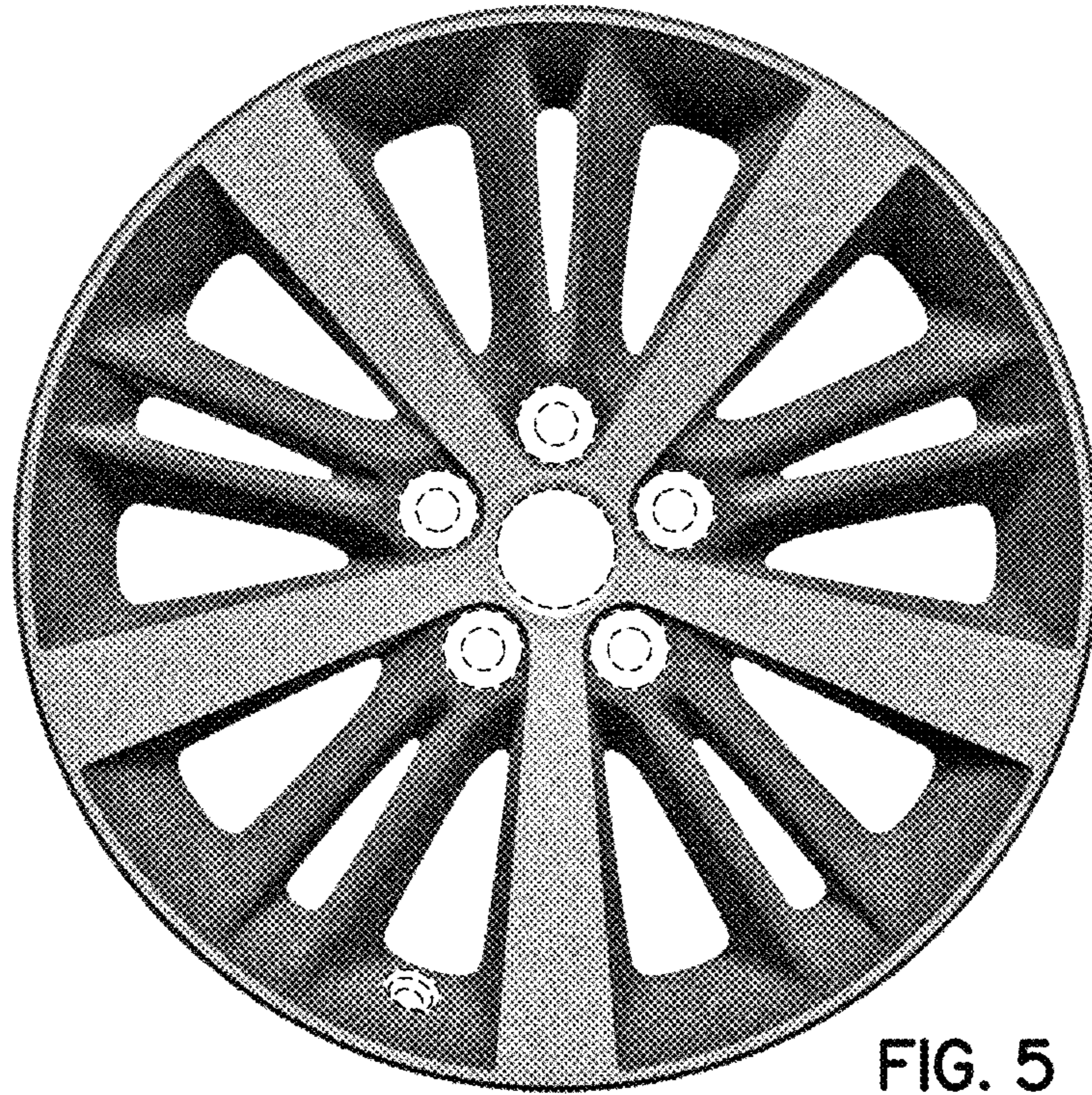


FIG. 5

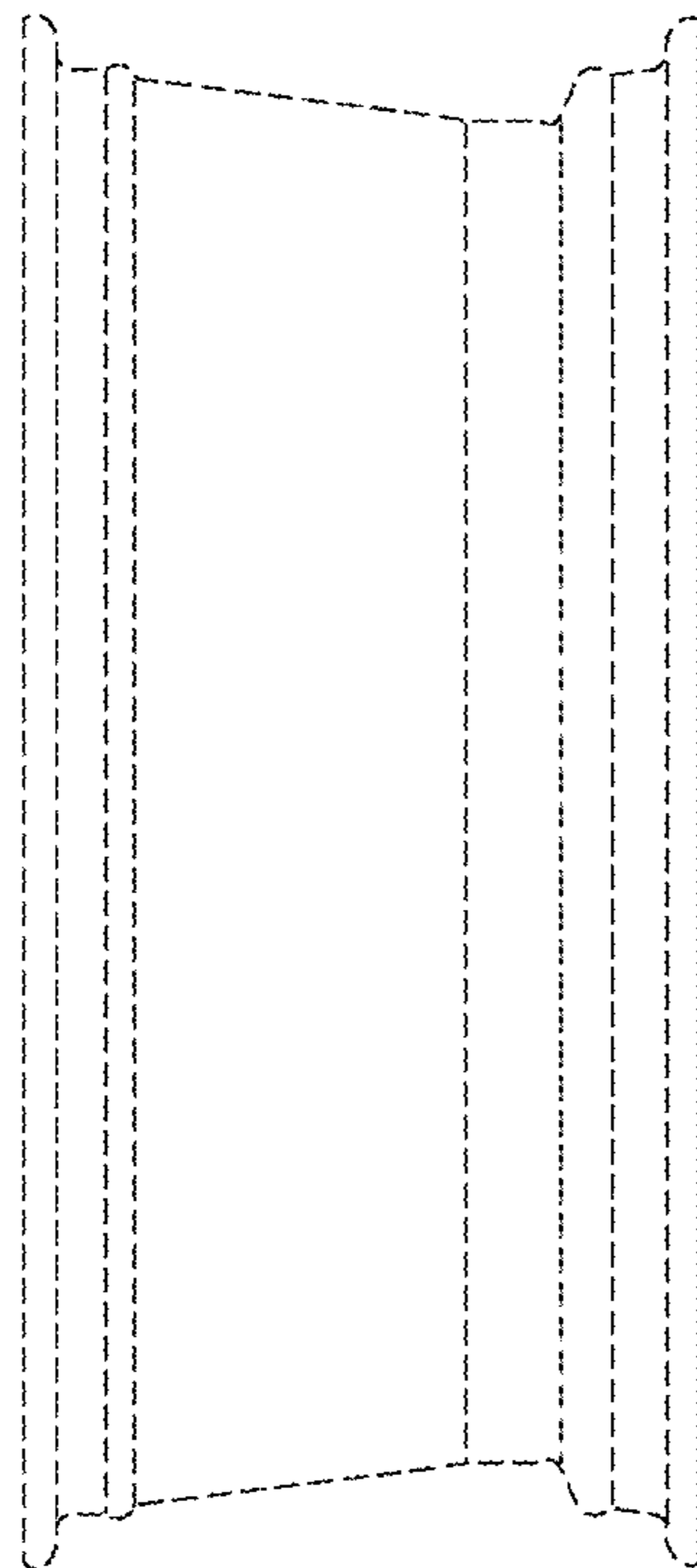


FIG. 6