



US00D806631S

(12) **United States Design Patent**
Sempek

(10) **Patent No.:** **US D806,631 S**

(45) **Date of Patent:** **** Jan. 2, 2018**

(54) **WHEEL RIM**

(71) Applicant: **Allied Wheel Components**, Garden Grove, CA (US)

(72) Inventor: **Christopher Sean Sempek**, Long Beach, CA (US)

(73) Assignee: **ALLIED WHEEL COMPONENTS**, Garden Grove, CA (US)

(**) Term: **15 Years**

(21) Appl. No.: **29/556,250**

(22) Filed: **Feb. 29, 2016**

(51) **LOC (11) Cl.** **12-16**

(52) **U.S. Cl.**
USPC **D12/211**

(58) **Field of Classification Search**
USPC D12/204–213
CPC B60B 7/00; B60B 7/02; B60B 7/04; B60B 7/01; B60B 7/06; B60B 3/02; B60B 3/04; B60B 3/06; B60B 3/10; B60B 1/00; B60B 1/08; B60B 1/10; B60B 1/12
See application file for complete search history.

(56) **References Cited**

U.S. PATENT DOCUMENTS

D449,812 S * 10/2001 Penzes D12/211
D461,441 S * 8/2002 Hartanto D12/211

D524,217 S * 7/2006 Aoki D12/211
D534,473 S * 1/2007 Bernoni D12/211
D608,711 S * 1/2010 Juergens D12/209
D620,862 S * 8/2010 Pollmann D12/209
D639,222 S 6/2011 Johnson
D695,183 S * 12/2013 Chung D12/209

OTHER PUBLICATIONS

Raceline Wheels catalog, vol. 22, Dec. 2, 2015.

* cited by examiner

Primary Examiner — Stacia Cadmus

(74) *Attorney, Agent, or Firm* — Fish IP Law, LLP

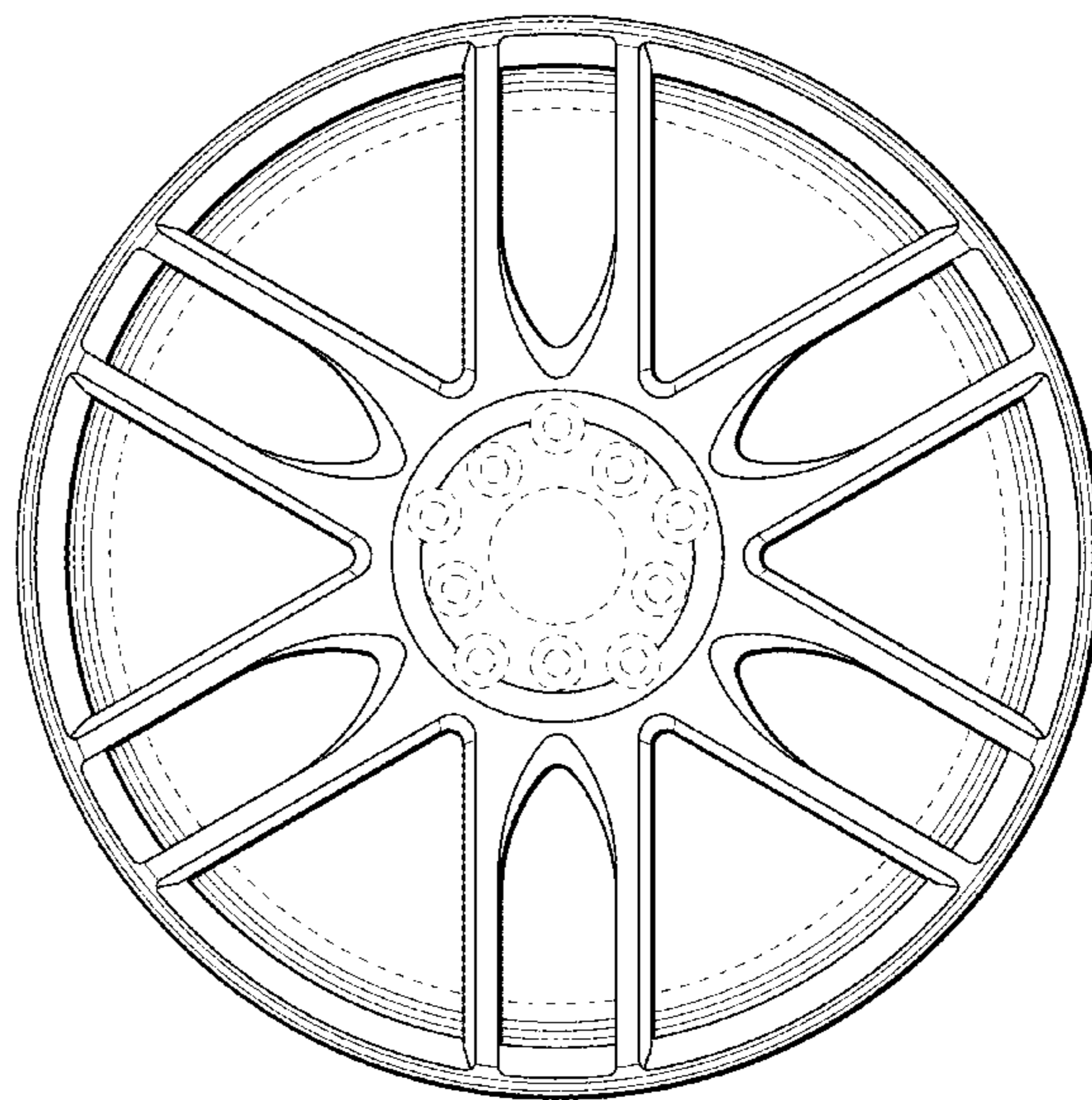
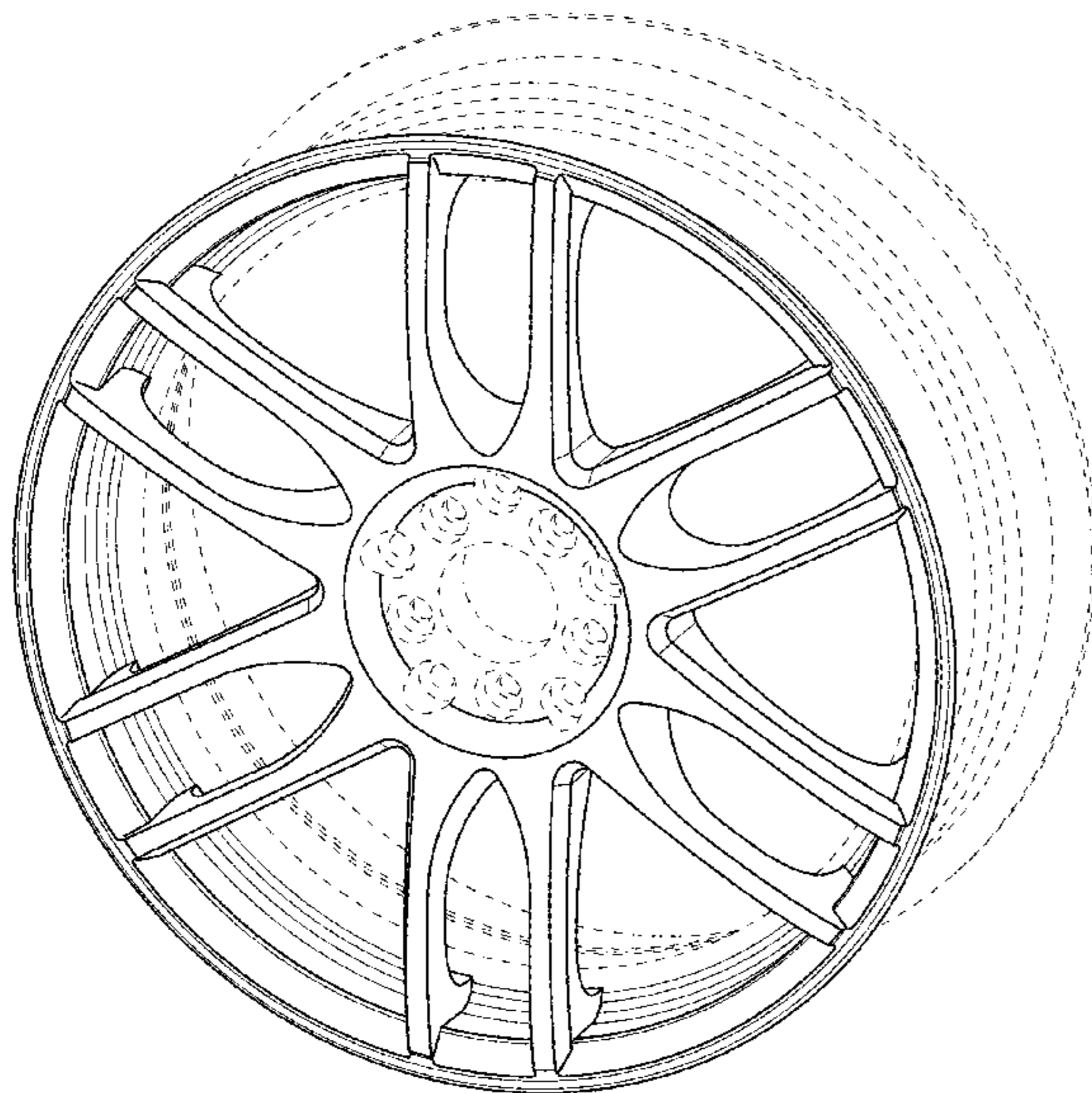
(57) **CLAIM**

I claim the ornamental design for a wheel rim, as shown and described.

DESCRIPTION

FIG. 1 is a top, front, right side perspective view of a wheel rim of the new design; and, FIG. 2 is a front elevation view thereof. In the drawings, the broken lines are included for the purpose of illustrating environmental subject matter and form no part of the claimed design.

1 Claim, 2 Drawing Sheets



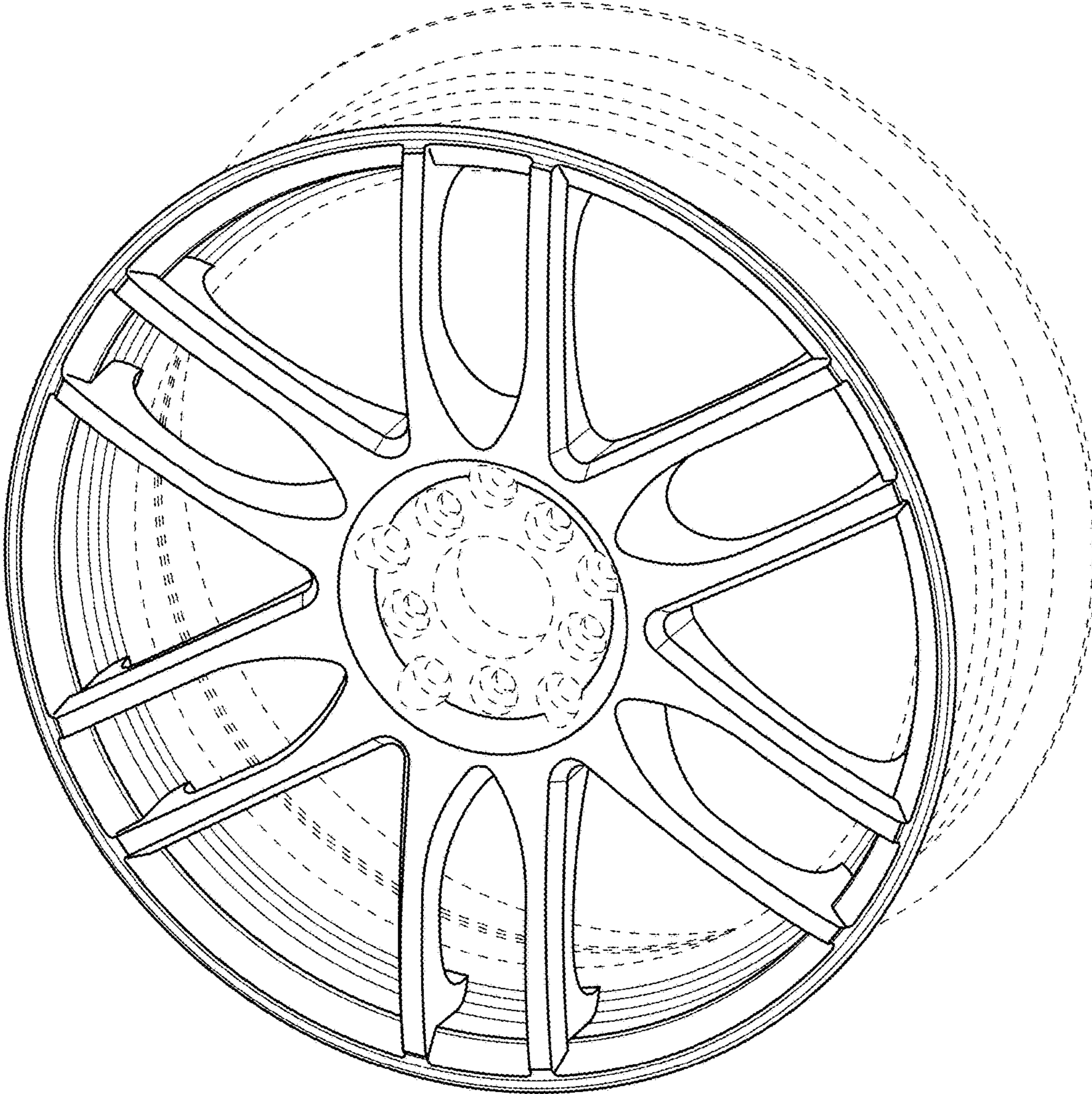


FIG. 1

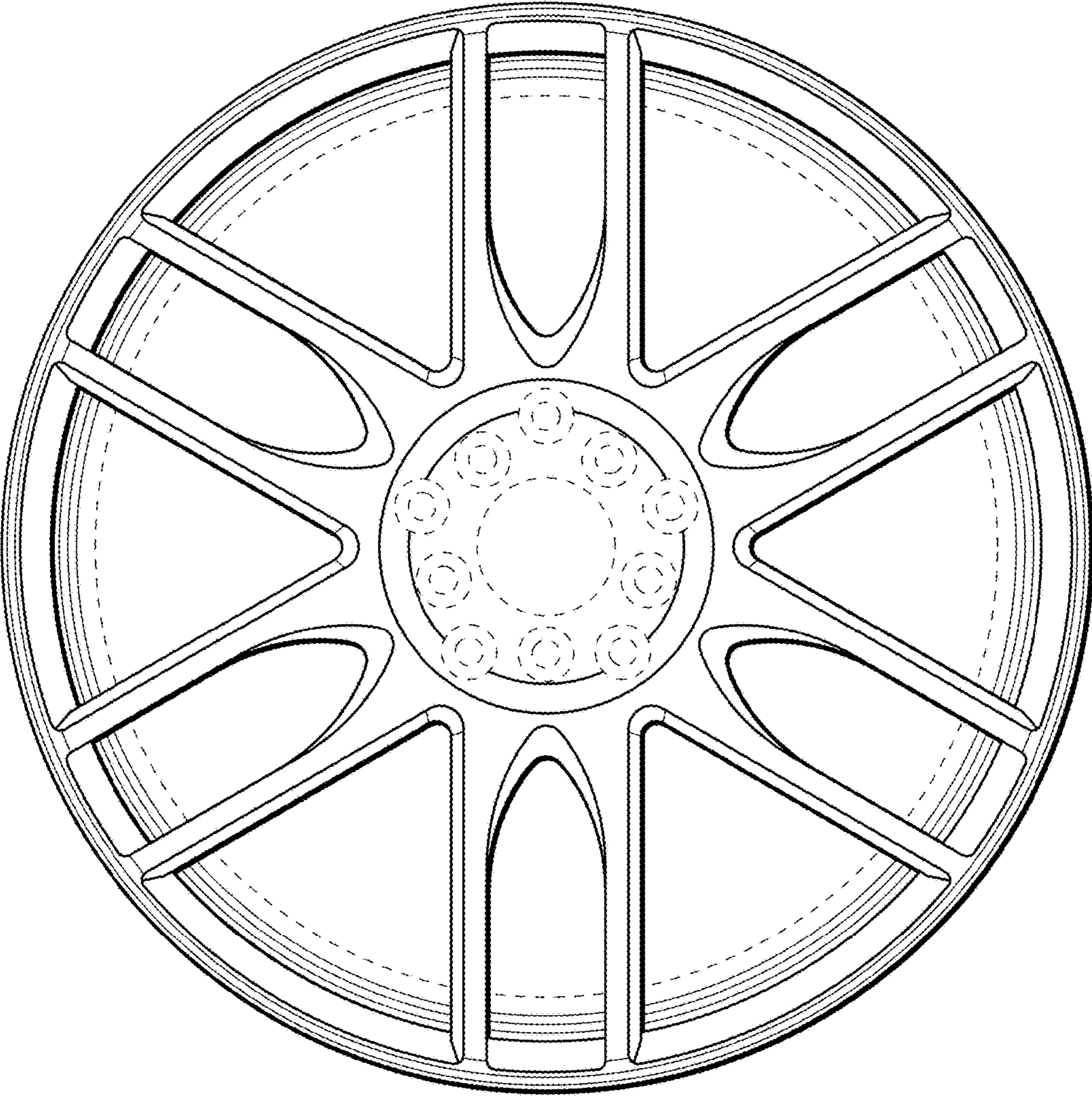


FIG. 2