

US00D806629S

(12) **United States Design Patent**  
**Bridan et al.**

(10) **Patent No.:** **US D806,629 S**  
(45) **Date of Patent:** **\*\* Jan. 2, 2018**

- (54) **WHEEL**
- (71) Applicant: **Honda Motor Co., Ltd.**, Tokyo (JP)
- (72) Inventors: **Iliya Bridan**, Long Beach, CA (US);  
**Damon Schell**, Long Beach, CA (US);  
**Takashi Hamada**, Rancho Palos Verdes, CA (US)
- (73) Assignee: **HONDA MOTOR CO., LTD.**, Tokyo (JP)
- (\*\*) Term: **15 Years**
- (21) Appl. No.: **29/543,716**
- (22) Filed: **Oct. 27, 2015**
- (51) **LOC (11) Cl.** ..... **12-16**
- (52) **U.S. Cl.**  
USPC ..... **D12/211**
- (58) **Field of Classification Search**  
USPC ..... D12/204–213  
CPC .... B60B 7/00; B60B 7/01; B60B 7/02; B60B 7/04; B60B 7/06; B60B 3/02; B60B 3/04; B60B 3/06; B60B 3/10; B60B 1/00; B60B 1/08; B60B 1/10; B60B 1/12  
See application file for complete search history.

D691,081 S *	10/2013	Watkin .....	D12/211
D691,938 S *	10/2013	Churchill .....	D12/211
D695,186 S *	12/2013	Pollmann .....	D12/209
D746,212 S *	12/2015	Valencia Pollex .....	D12/211
D748,031 S *	1/2016	Miyazawa .....	D12/209
D756,878 S *	5/2016	Valencia Pollex .....	D12/209
D757,626 S *	5/2016	Bridan .....	D12/209
D759,566 S *	6/2016	Valencia Pollex .....	D12/211
D763,158 S *	8/2016	Hara .....	D12/209

\* cited by examiner

*Primary Examiner* — Sandra Snapp  
*Assistant Examiner* — Katherine Glennon  
(74) *Attorney, Agent, or Firm* — Arent Fox LLP

(57) **CLAIM**  
The ornamental design for a wheel, as shown and described.

**DESCRIPTION**

FIG. 1 is a front right perspective view of a wheel showing our new design;  
FIG. 2 is a rear right perspective view of the design shown in FIG. 1;  
FIG. 3 is a rear left perspective view of the design shown in FIG. 1;  
FIG. 4 is a front left perspective view of the design shown in FIG. 1;  
FIG. 5 is a left side view of the design shown in FIG. 1;  
FIG. 6 is a right side view of the design shown in FIG. 1;  
FIG. 7 is a rear view of the design shown in FIG. 1;  
FIG. 8 is a front view of the design shown in FIG. 1;  
FIG. 9 is a top view of the design shown in FIG. 1; and  
FIG. 10 is a bottom view of the design shown in FIG. 1.

**1 Claim, 10 Drawing Sheets**

- (56) **References Cited**  
U.S. PATENT DOCUMENTS  
D655,657 S \* 3/2012 Juergens ..... D12/209  
D666,958 S \* 9/2012 Suzuki ..... D12/211  
D686,134 S \* 7/2013 Amezketa ..... D12/211

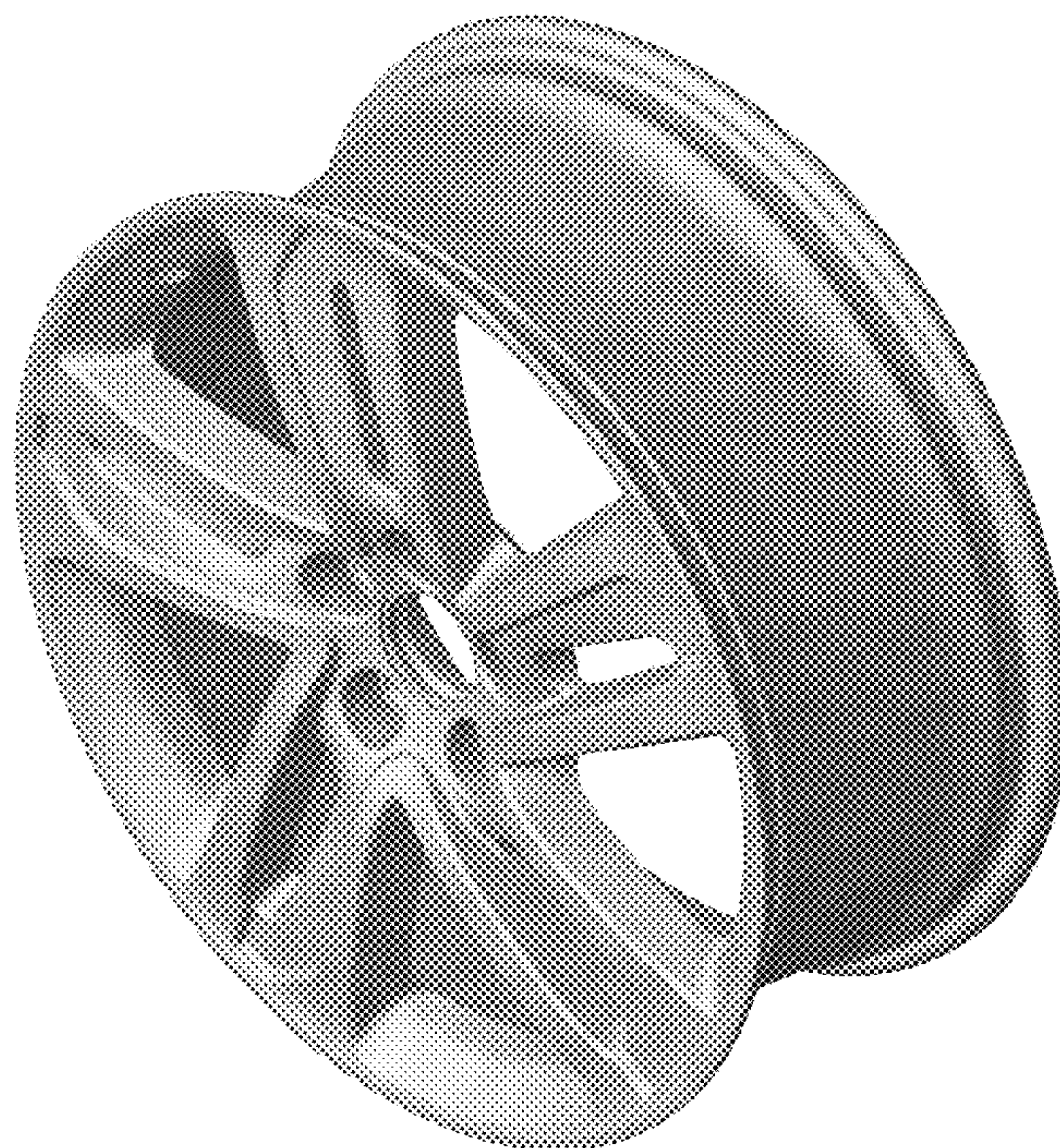






FIGURE 1





FIGURE 2



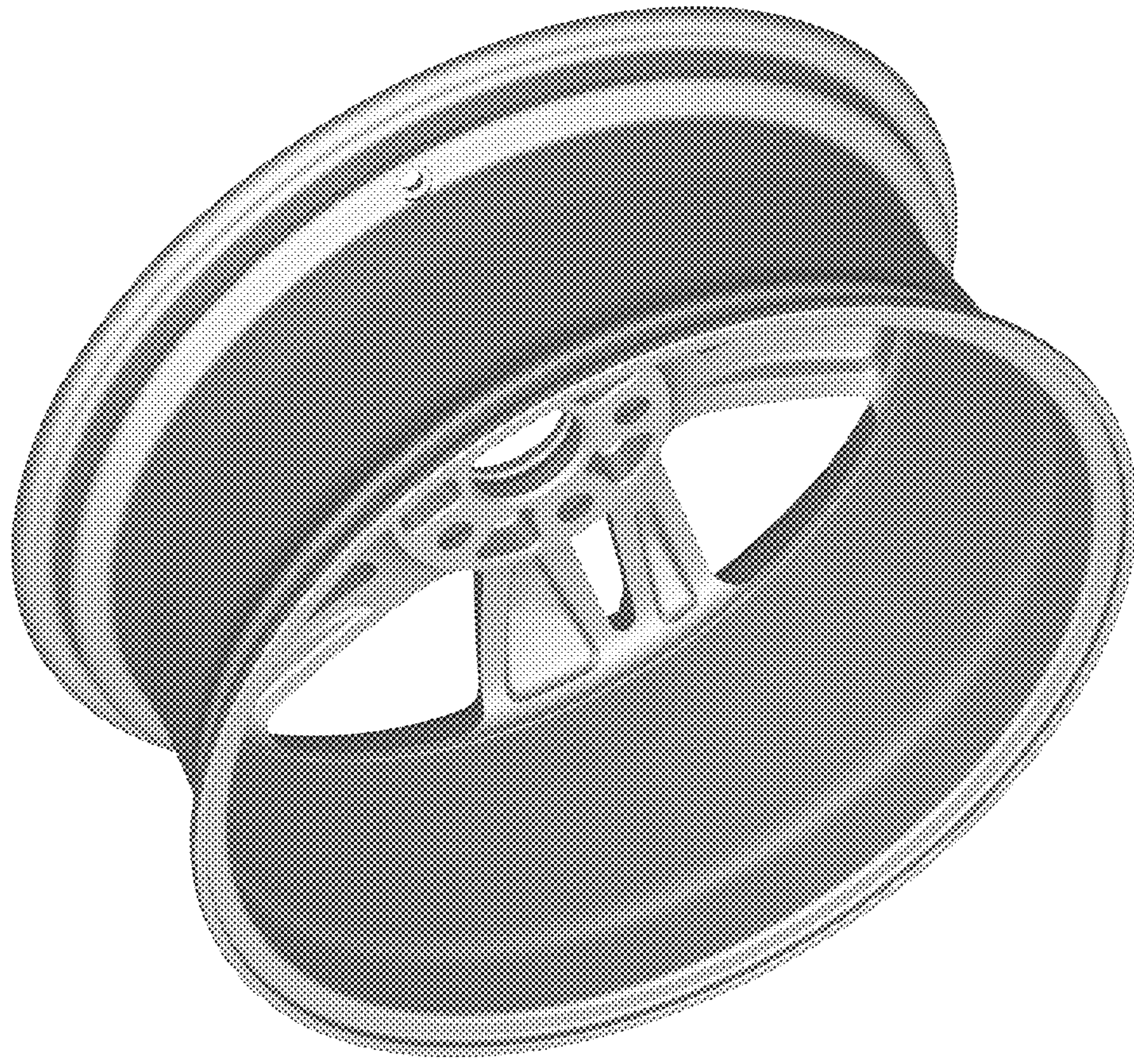


FIGURE 3





FIGURE 4



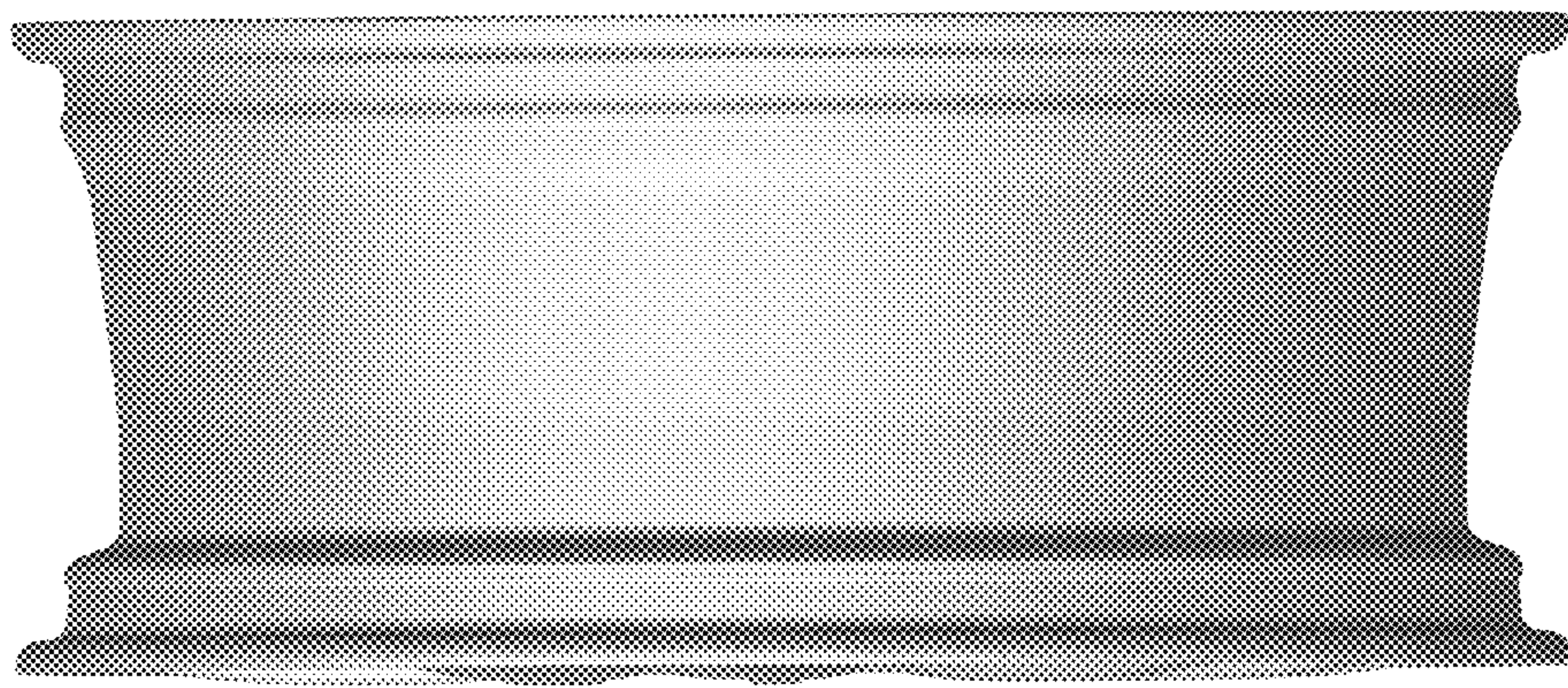


FIGURE 5

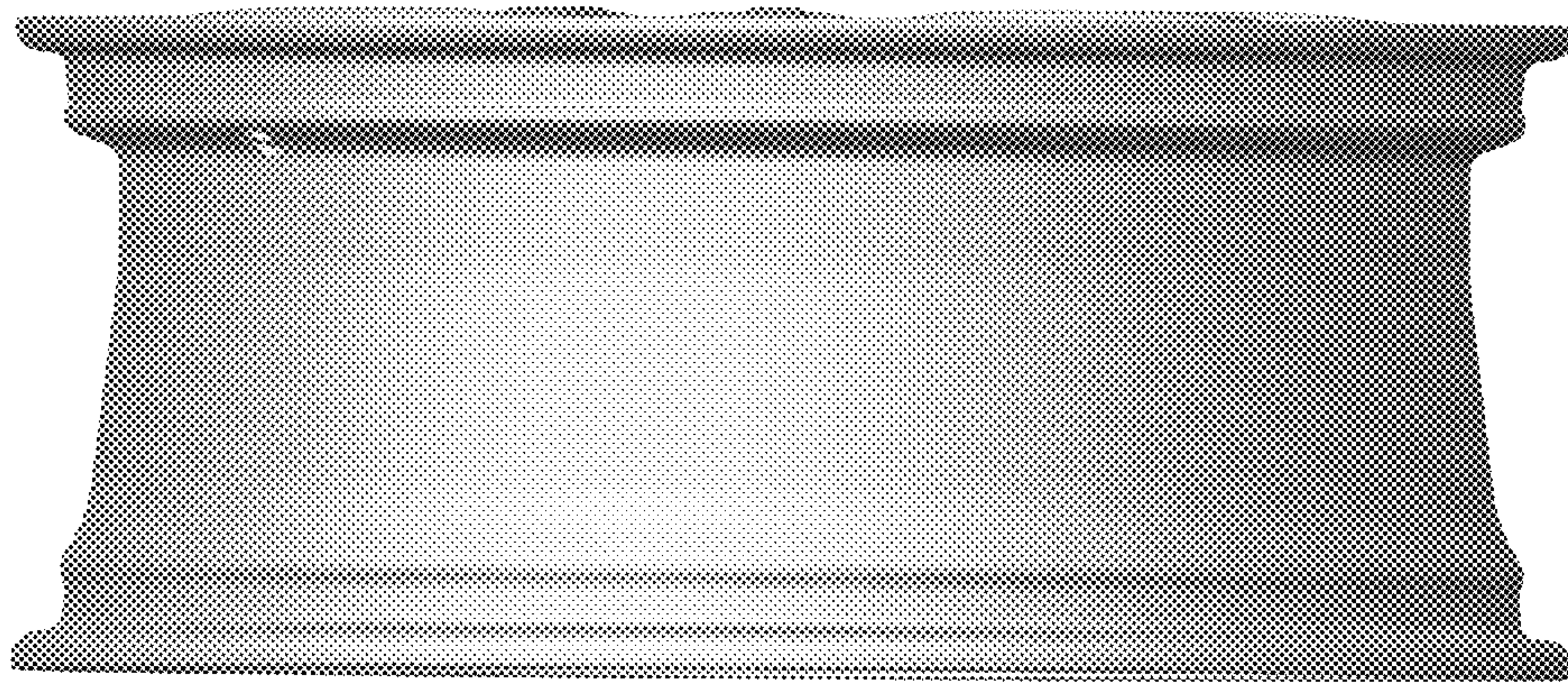


FIGURE 6



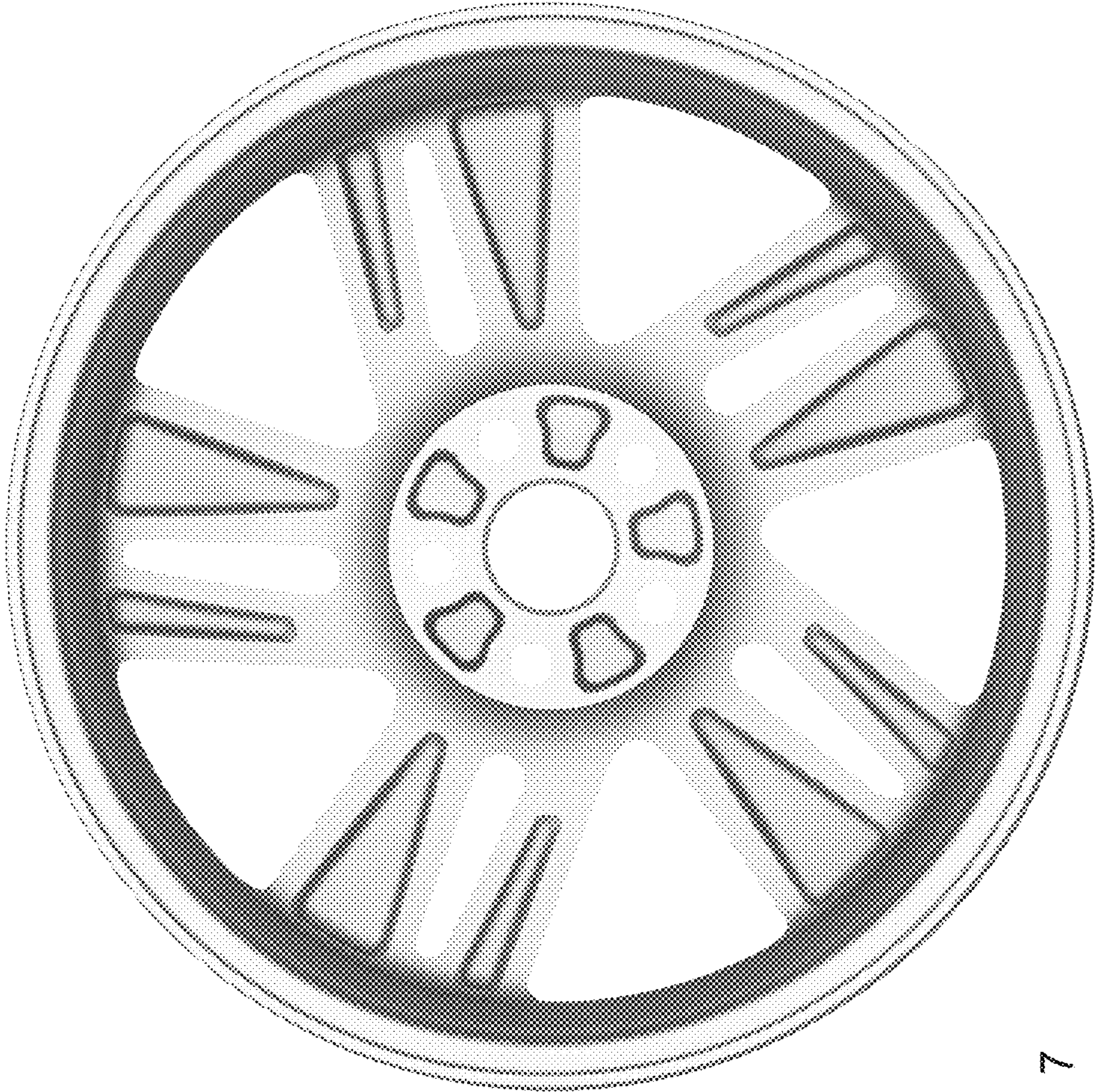


FIGURE 7



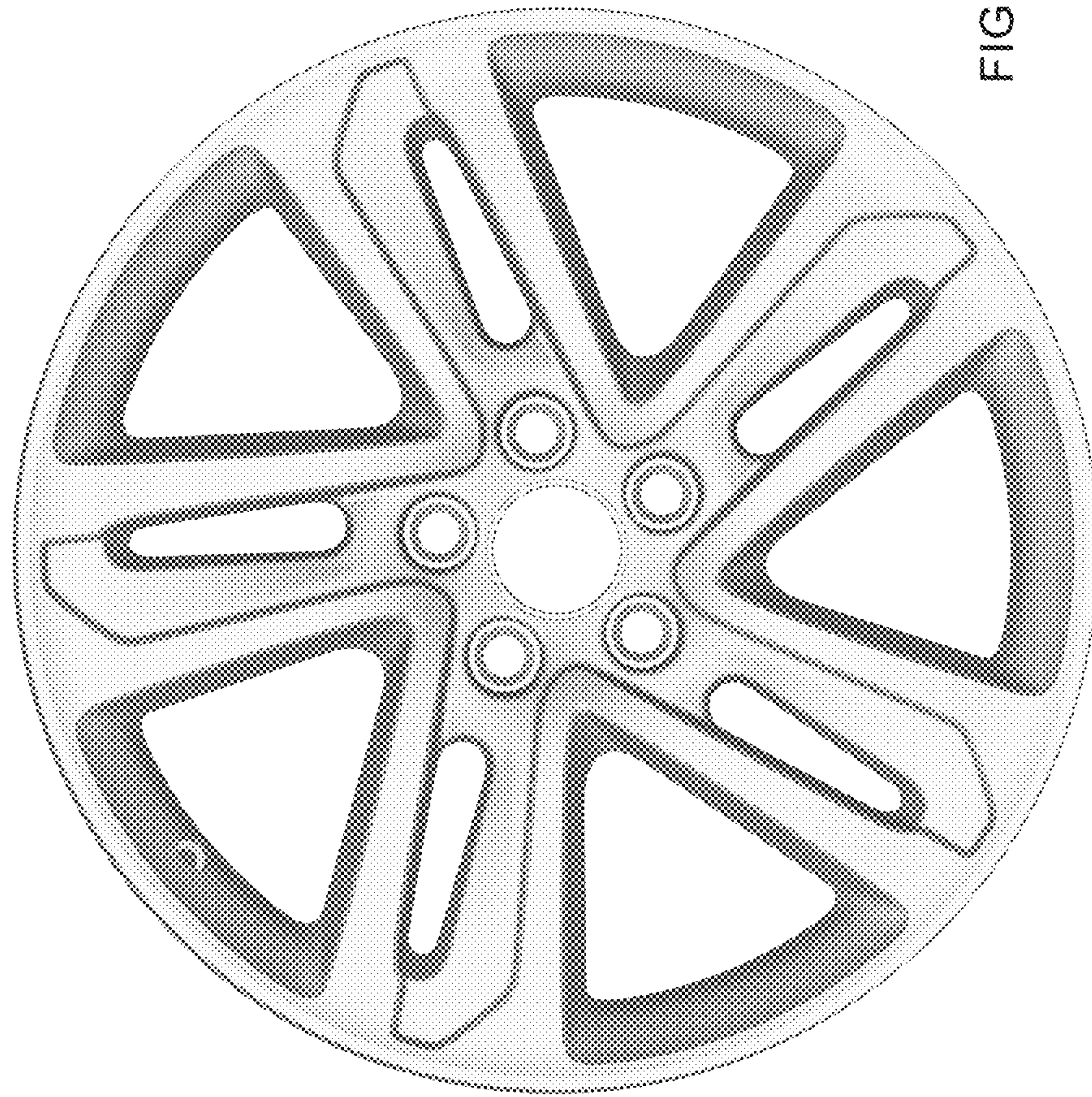


FIGURE 8



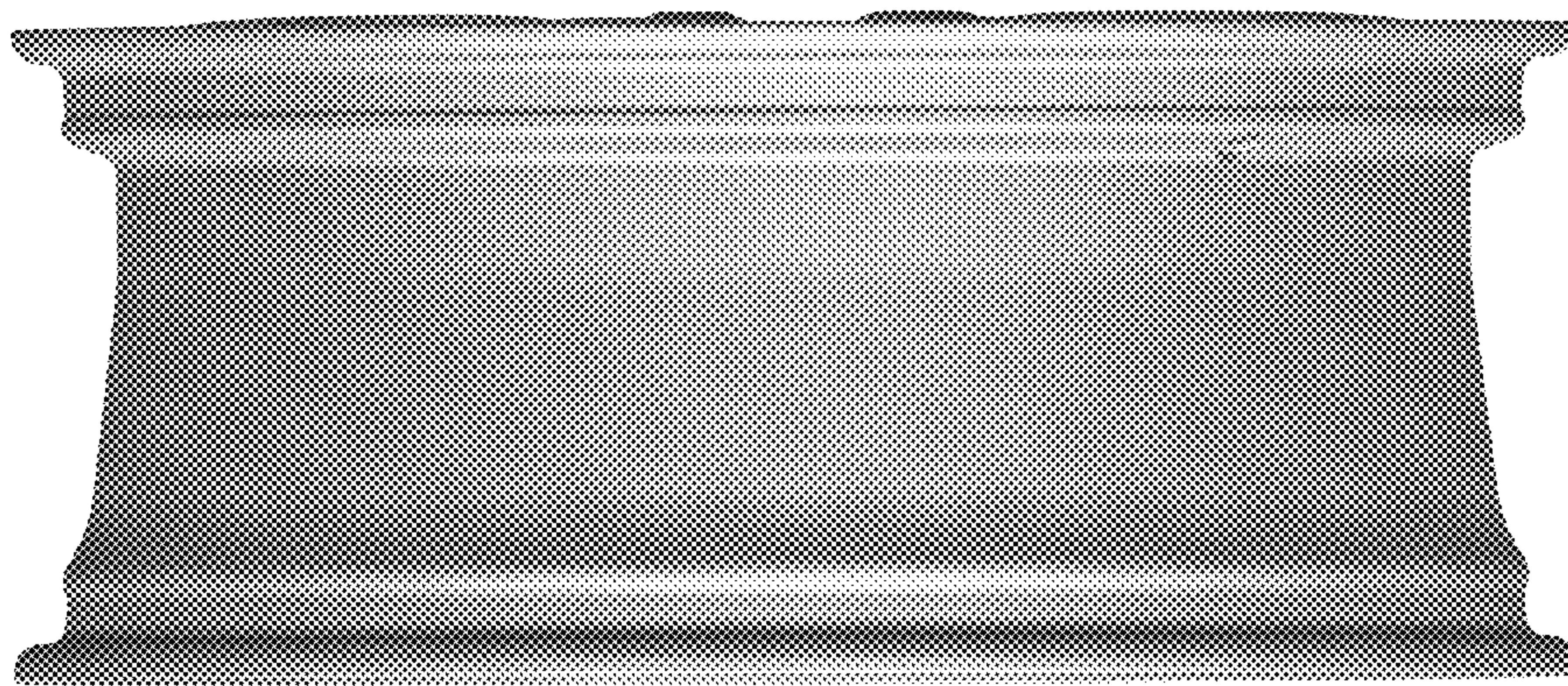


FIGURE 9



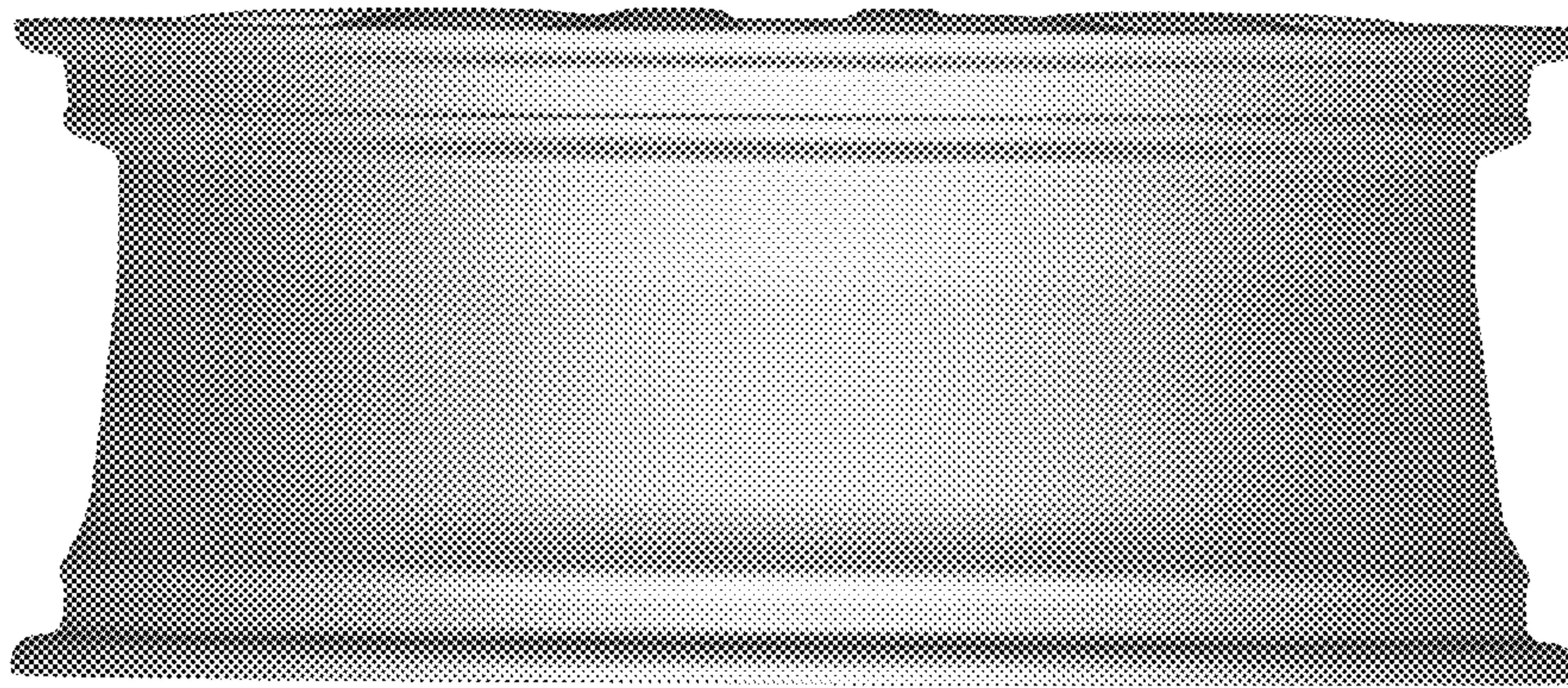


FIGURE 10