



US00D806628S

(12) **United States Design Patent**
Schell et al.

(10) **Patent No.:** **US D806,628 S**
(45) **Date of Patent:** **** Jan. 2, 2018**

- (54) **WHEEL**
- (71) Applicant: **Honda Motor Co., Ltd.**, Tokyo (JP)
- (72) Inventors: **Damon Schell**, Long Beach, CA (US);
Takashi Hamada, Rancho Palos Verdes, CA (US)
- (73) Assignee: **HONDA MOTOR CO., LTD.**, Tokyo (JP)
- (**) Term: **15 Years**
- (21) Appl. No.: **29/543,692**
- (22) Filed: **Oct. 27, 2015**
- (51) **LOC (11) Cl.** **12-16**
- (52) **U.S. Cl.**
USPC **D12/211**
- (58) **Field of Classification Search**
USPC D12/204–213
CPC B60B 7/00; B60B 7/01; B60B 7/02; B60B 7/04; B60B 7/06; B60B 3/02; B60B 3/04; B60B 3/06; B60B 3/10; B60B 1/00; B60B 1/08; B60B 1/10; B60B 1/12
See application file for complete search history.

D662,868 S *	7/2012	Furst	D12/209
D667,355 S *	9/2012	Gotschke	D12/209
D670,635 S *	11/2012	Pollmann	D12/211
D691,541 S *	10/2013	Behmer	D12/209
D693,284 S *	11/2013	Chen	D12/211
D706,194 S *	6/2014	Hanaoka	D12/209
D715,208 S *	10/2014	Grake	D12/204
D730,797 S *	6/2015	Caswell	D12/209
D744,397 S *	12/2015	Pollmann	D12/209
D754,049 S *	4/2016	Valencia Pollex	D12/209
D764,369 S *	8/2016	Wheel	D12/209

* cited by examiner

Primary Examiner — Sandra Snapp
Assistant Examiner — Katherine Glennon
(74) *Attorney, Agent, or Firm* — Arent Fox LLP

(57) **CLAIM**

The ornamental design for a wheel, as shown and described.

DESCRIPTION

FIG. 1 is a front right perspective view of a wheel showing our new design;
FIG. 2 is a rear right perspective view of the design shown in FIG. 1;
FIG. 3 is a rear left perspective view of the design shown in FIG. 1;
FIG. 4 is a front left perspective view of the design shown in FIG. 1;
FIG. 5 is a left side view of the design shown in FIG. 1;
FIG. 6 is a right side view of the design shown in FIG. 1;
FIG. 7 is a rear view of the design shown in FIG. 1;
FIG. 8 is a front view of the design shown in FIG. 1;
FIG. 9 is a top view of the design shown in FIG. 1; and,
FIG. 10 is a bottom view of the design shown in FIG. 1.

1 Claim, 10 Drawing Sheets

(56) **References Cited**

U.S. PATENT DOCUMENTS

D525,928 S *	8/2006	Pfeiffer	D12/209
D590,322 S *	4/2009	Rak	D12/211
D594,396 S *	6/2009	Juergens	D12/209
D617,716 S *	6/2010	Lamm	D12/211
D636,319 S *	4/2011	Toth	D12/211
D649,500 S *	11/2011	Baum	D12/209





FIG. 1



FIG. 2



FIG. 3



FIG. 4

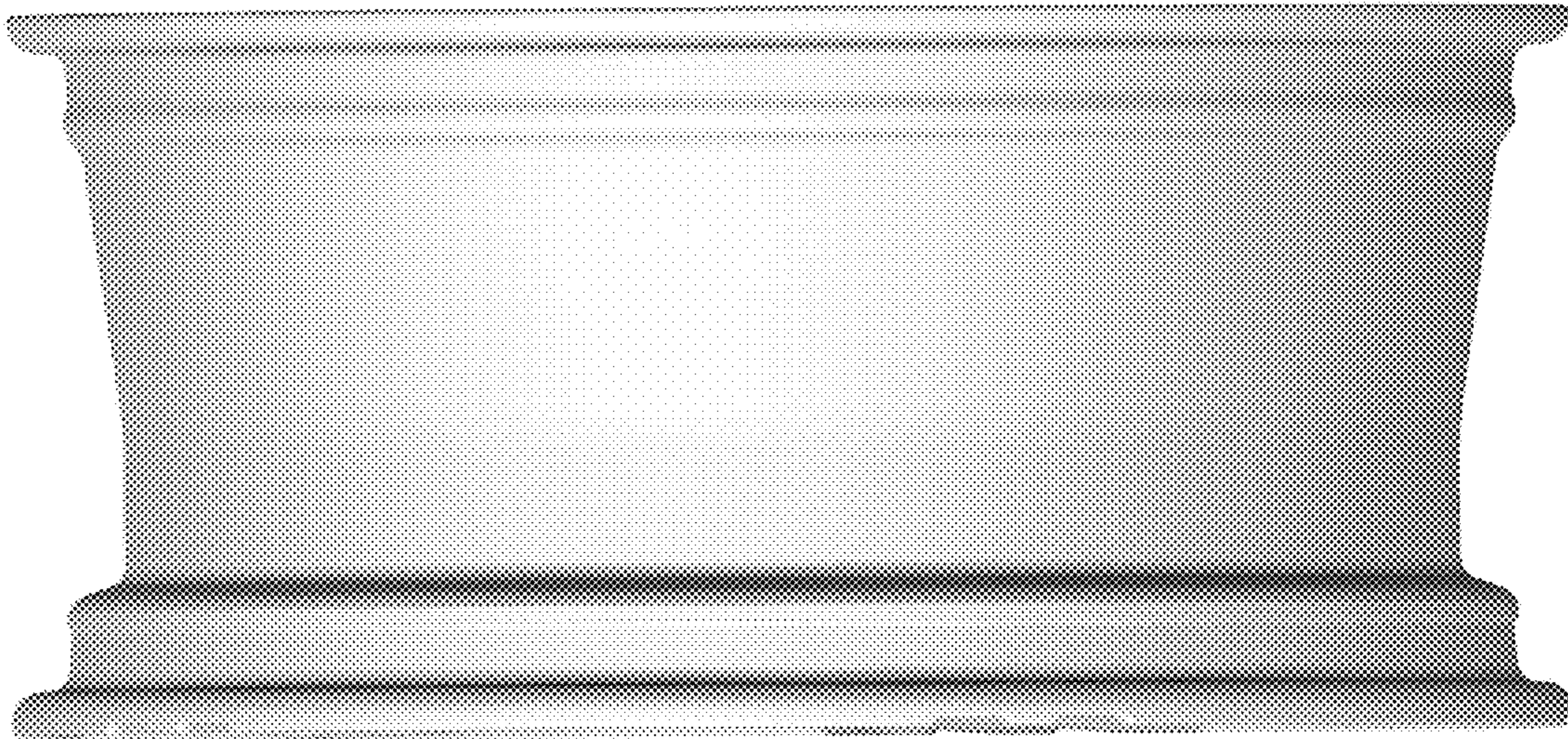


FIG. 5

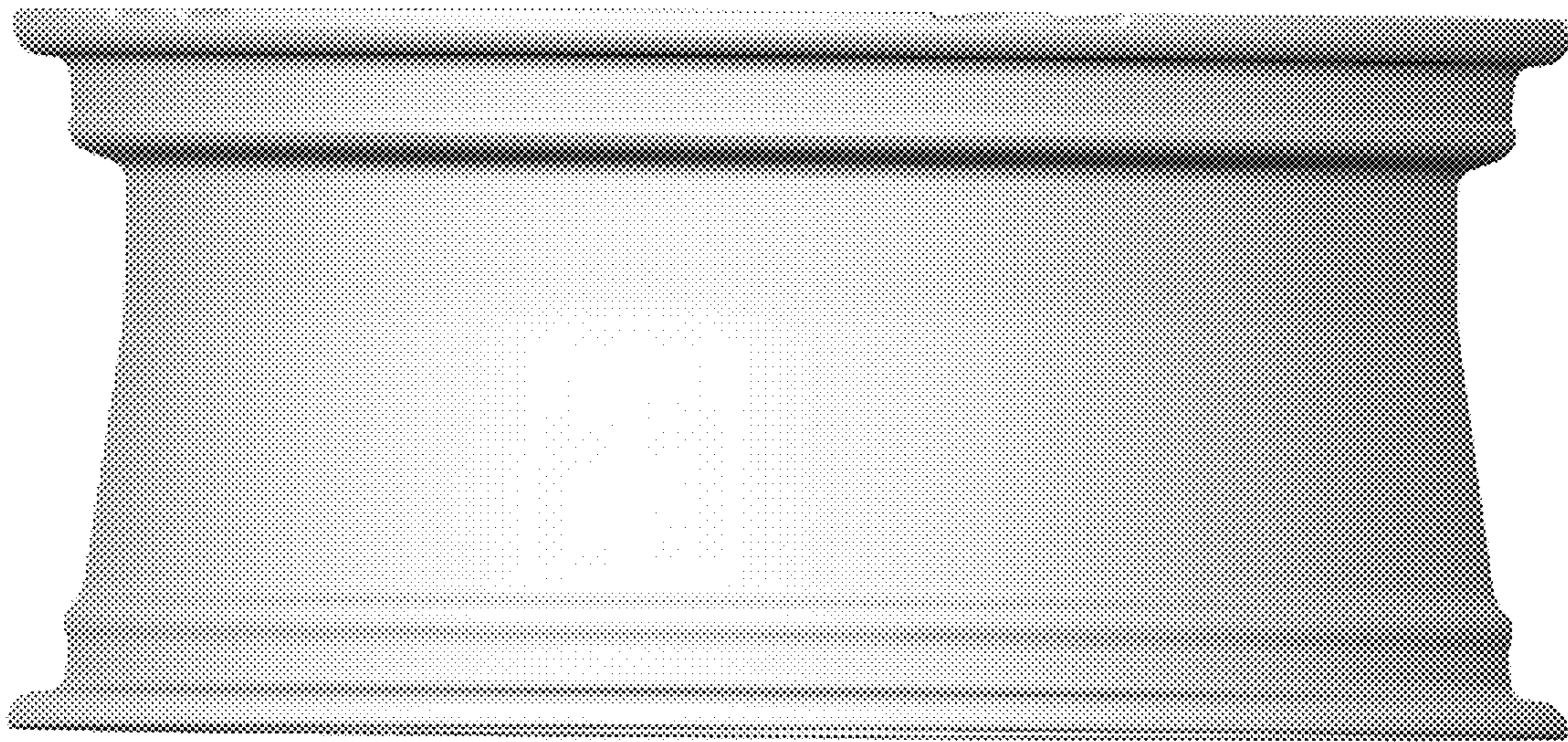


FIG. 6

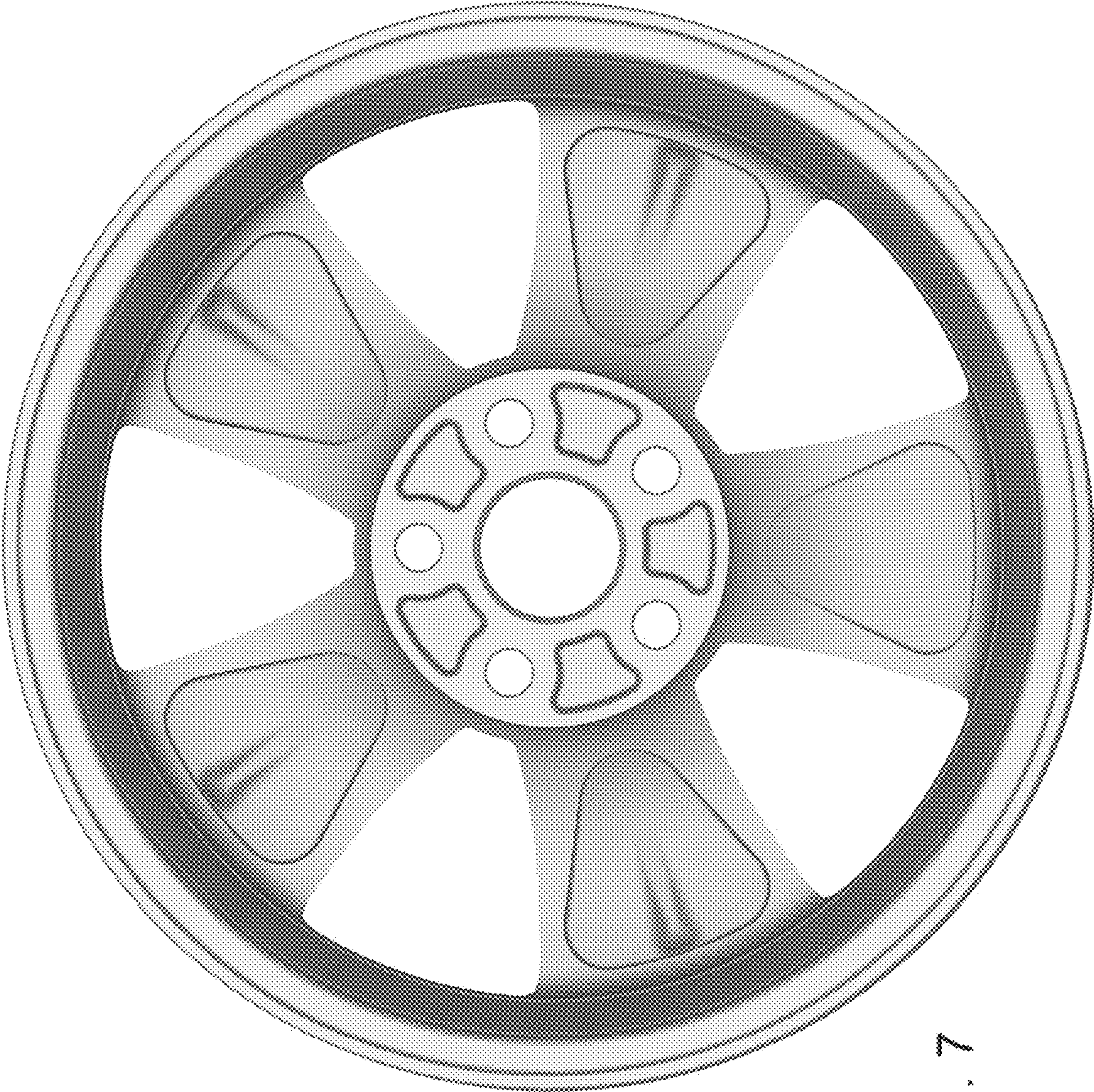


FIG. 7

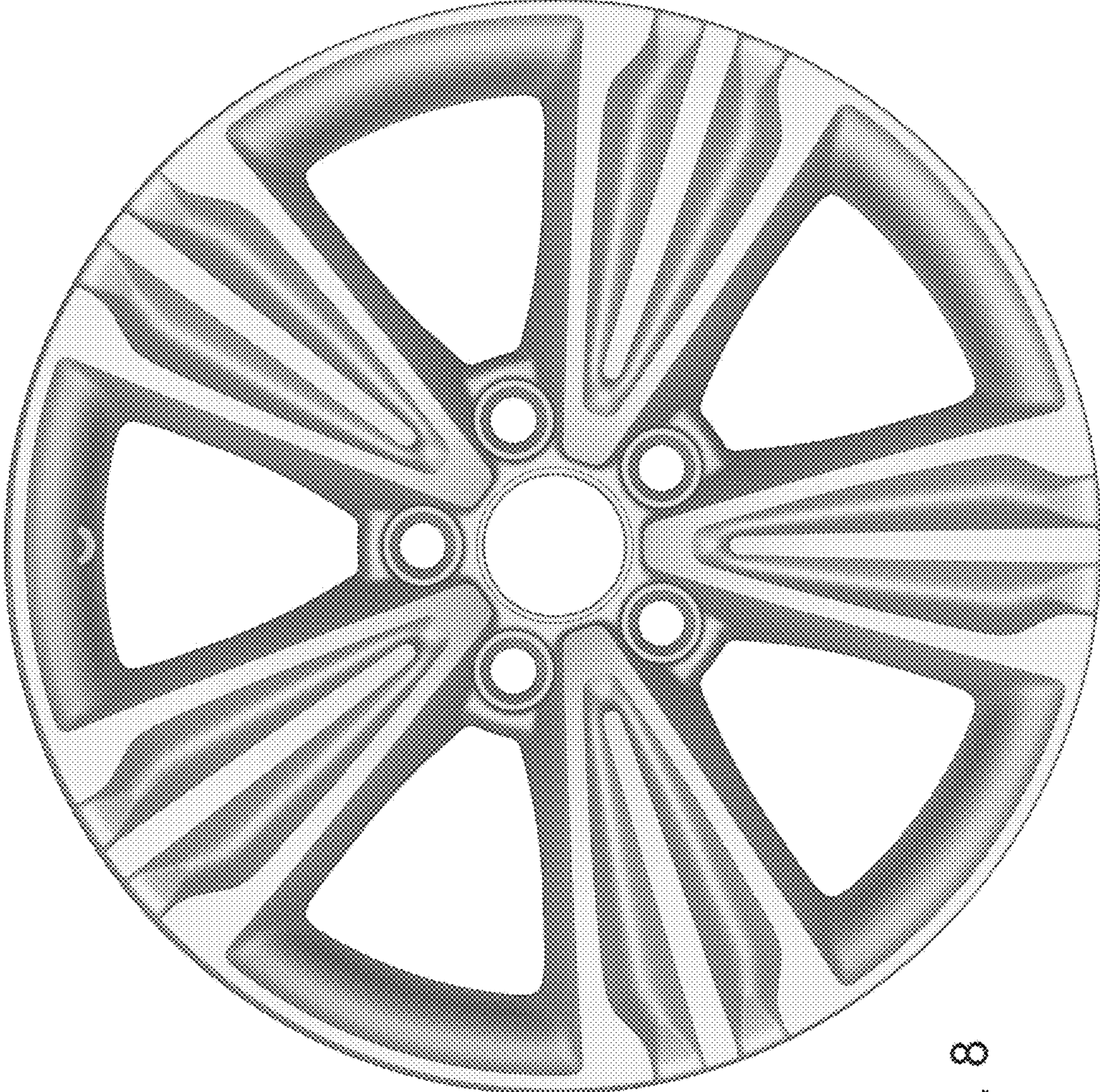


FIG. 8

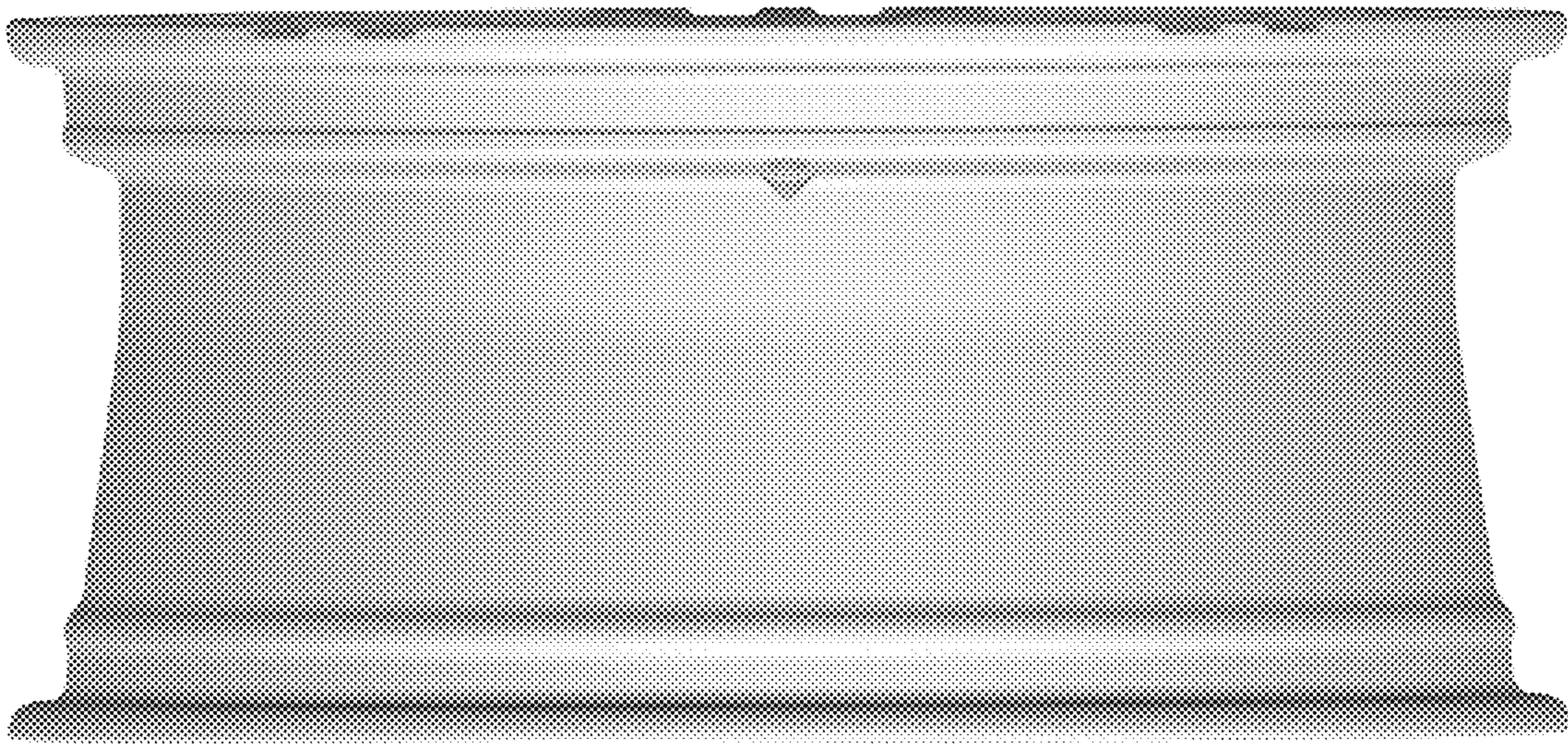


FIG. 9

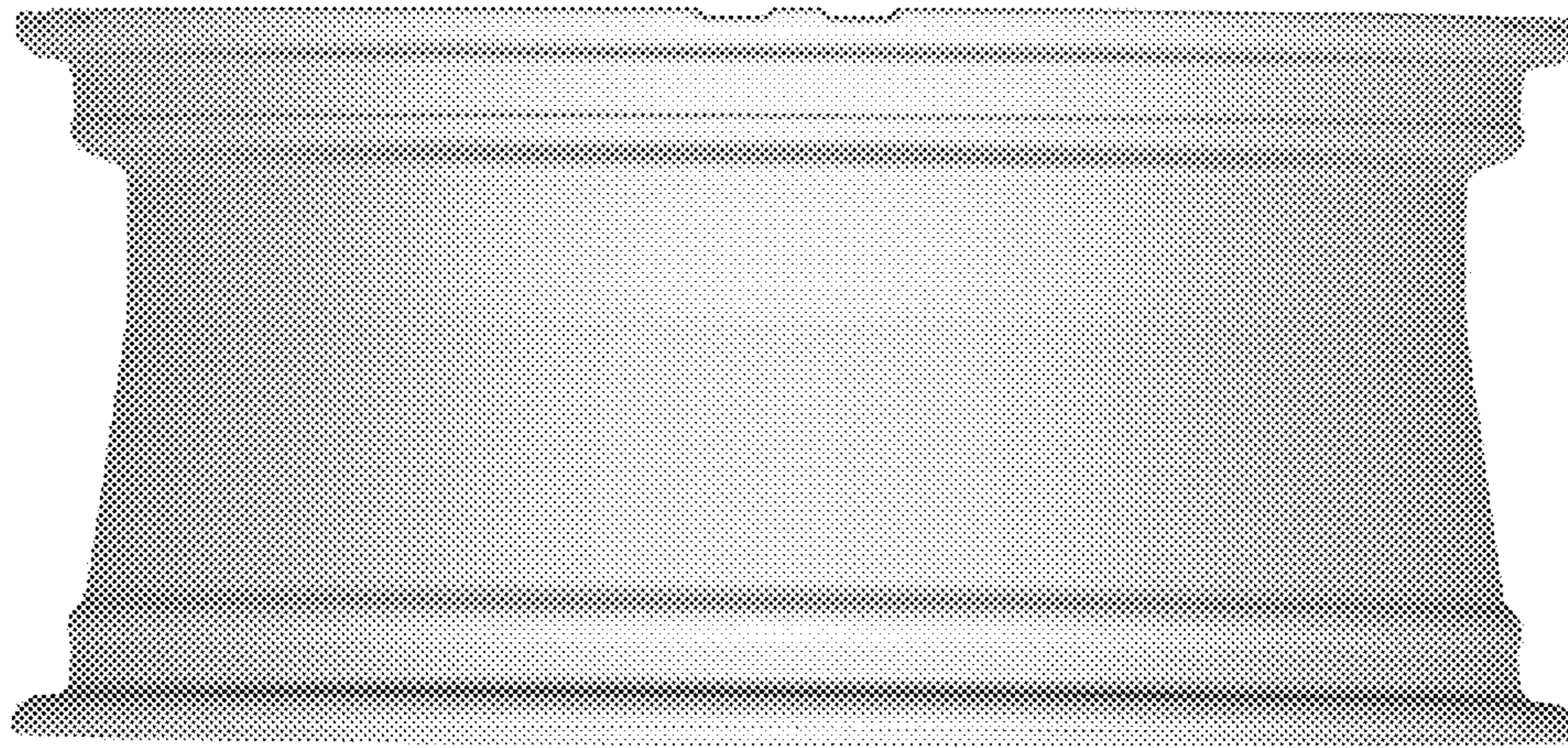


FIG. 10