



US00D806627S

(12) **United States Design Patent**  
**Lee**

(10) **Patent No.:** **US D806,627 S**  
(45) **Date of Patent:** **\*\* Jan. 2, 2018**

- (54) **BICYCLE WHEEL**
- (71) Applicant: **Yera Lee**, Incheon (KR)
- (72) Inventor: **Yera Lee**, Incheon (KR)
- (\*\*) Term: **15 Years**
- (21) Appl. No.: **29/542,288**
- (22) Filed: **Oct. 13, 2015**

D519,900 S \* 5/2006 Francis ..... D12/209  
 D567,166 S \* 4/2008 Bogani ..... D12/209  
 D605,573 S \* 12/2009 Chan ..... D12/209

**OTHER PUBLICATIONS**

<https://www.aliexpress.com/item/Magnesium-alloy-bicycle-wheel-rim-titanium-bike-wheel-rim-26-27-5-inches-magnesium-alloy-bike/2053002910.html>—Retrieved Oct. 28, 2016.\*

(Continued)

*Primary Examiner* — Manpreet Matharu

*Assistant Examiner* — Mojtaba Tehrani

(74) *Attorney, Agent, or Firm* — Vorys, Sater, Seymour and Pease LLP

(30) **Foreign Application Priority Data**

Apr. 15, 2015 (KR) ..... 30-2015-0019133

(51) **LOC (11) Cl.** ..... **12-16**

(52) **U.S. Cl.**  
USPC ..... **D12/211**

(58) **Field of Classification Search**  
USPC ..... D12/204, 205, 206, 207, 208, 209, 210, D12/211, 212, 213  
CPC .... B60B 7/00; B60B 7/01; B60B 7/02; B60B 7/04; B60B 7/06; B60B 3/02; B60B 3/04; B60B 3/06; B60B 3/10; B60B 1/00; B60B 1/08; B60B 1/10; B60B 1/12  
See application file for complete search history.

(57) **CLAIM**

The ornamental design for a bicycle wheel, as shown and described.

**DESCRIPTION**

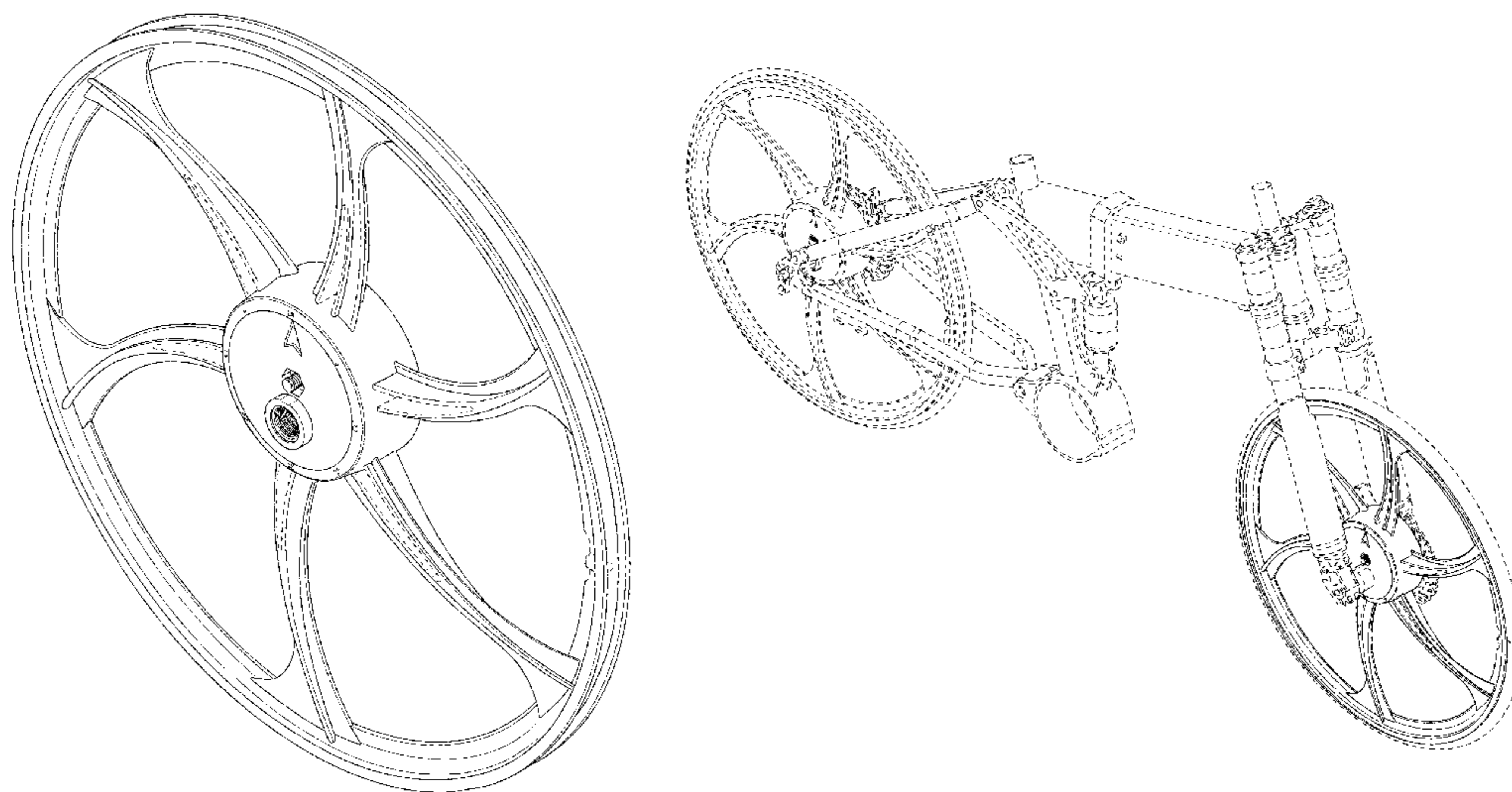
FIG. 1 is a perspective view of a bicycle wheel showing my new design;  
FIG. 2 is a front elevational view thereof;  
FIG. 3 is a rear elevational view of thereof;  
FIG. 4 is a left-side elevational view thereof;  
FIG. 5 is a right-side elevational view thereof;  
FIG. 6 is a top plan view thereof;  
FIG. 7 is a bottom view thereof;  
FIG. 8 is a sectional view along line A-A of FIG. 2; and,  
FIG. 9 is a perspective view thereof in condition of use.  
The design is the overall configuration, shape, ornamentation and pattern of a bicycle wheel as shown in the drawings. In regard to FIGS. 1-8, the broken lines showing elements of the rim and hub are for the purpose of illustration portions of the article and form no part of the claimed design. In regard to FIG. 9, the broken lines in the figure represent unclaimed environment and form no part of the claimed design.

(56) **References Cited**

**U.S. PATENT DOCUMENTS**

- 320,932 A \* 6/1885 Hammond ..... B60B 1/08 301/65
- 1,826,815 A \* 10/1931 O'Connor ..... B61H 13/02 74/552
- D239,863 S \* 5/1976 Kitson ..... D12/205
- D256,688 S \* 9/1980 Zielinski ..... D12/205
- D303,516 S \* 9/1989 Arredondo, Jr. .... D12/209
- D340,023 S \* 10/1993 Geran ..... D12/211
- D382,530 S \* 8/1997 Raudman ..... D12/211
- D409,551 S \* 5/1999 Otto ..... D12/211
- D440,933 S \* 4/2001 Vian ..... D12/209
- D507,220 S \* 7/2005 Lucaora ..... D12/209
- D516,485 S \* 3/2006 Lucaora ..... D12/209

**1 Claim, 8 Drawing Sheets**



(56)

**References Cited**

OTHER PUBLICATIONS

<https://www.alibaba.com/showroom/yuemei-mag-bicycle-wheel.html>—Retrieved Aug. 9, 2017.\*  
<https://www.zappywheels.com/products/addmotor-xima-x-1-electric-bike-mag-wheels>—Retrieved Aug. 9, 2017.\*  
<http://www.bikeberry.com/bicycles/accessories/wheels-brakes/bbr-tuning-26-inch-heavy-duty-motorized-bike-mag-wheels-silver.html>—Retrieved Aug. 9, 2017.\*

\* cited by examiner

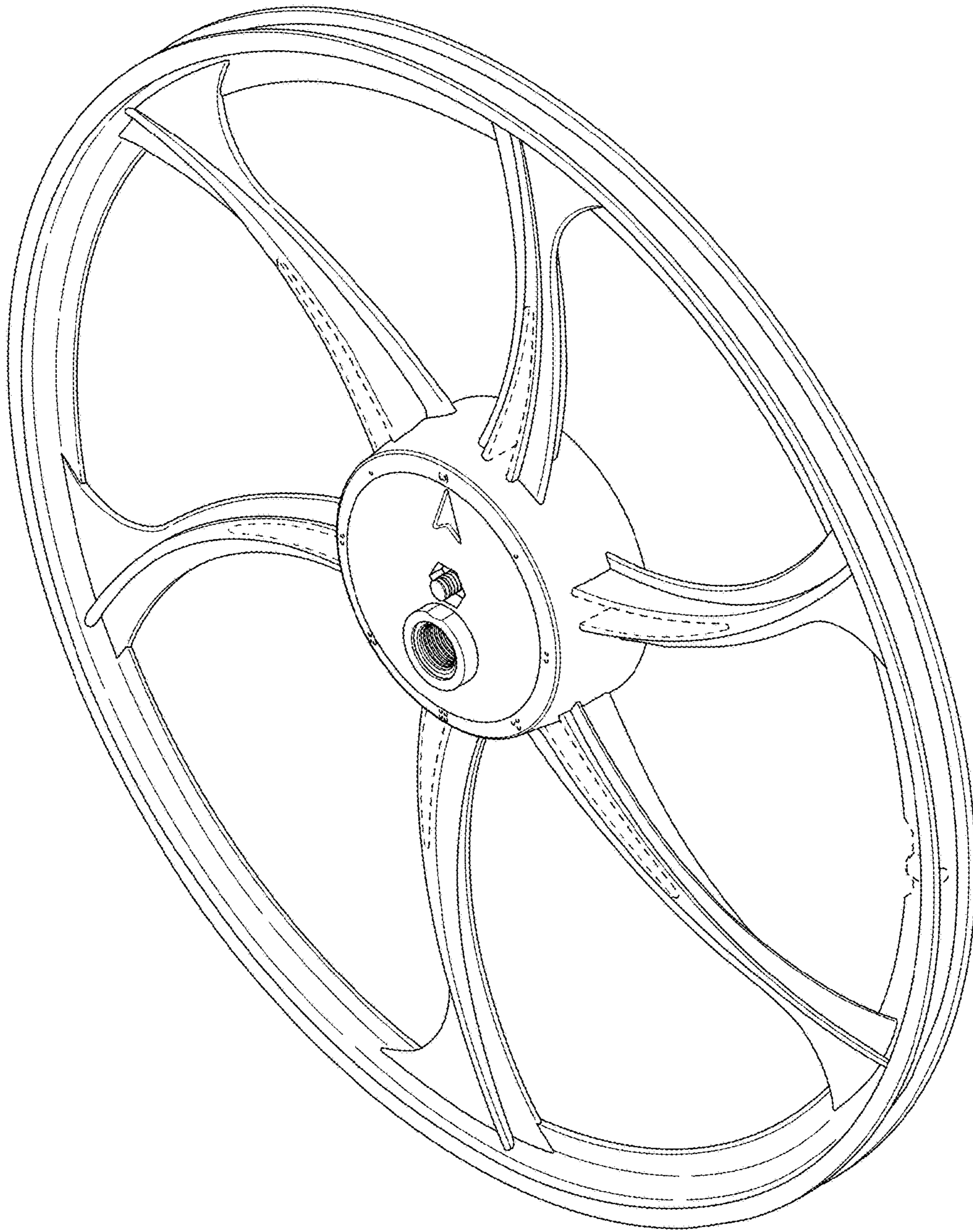


FIG. 1



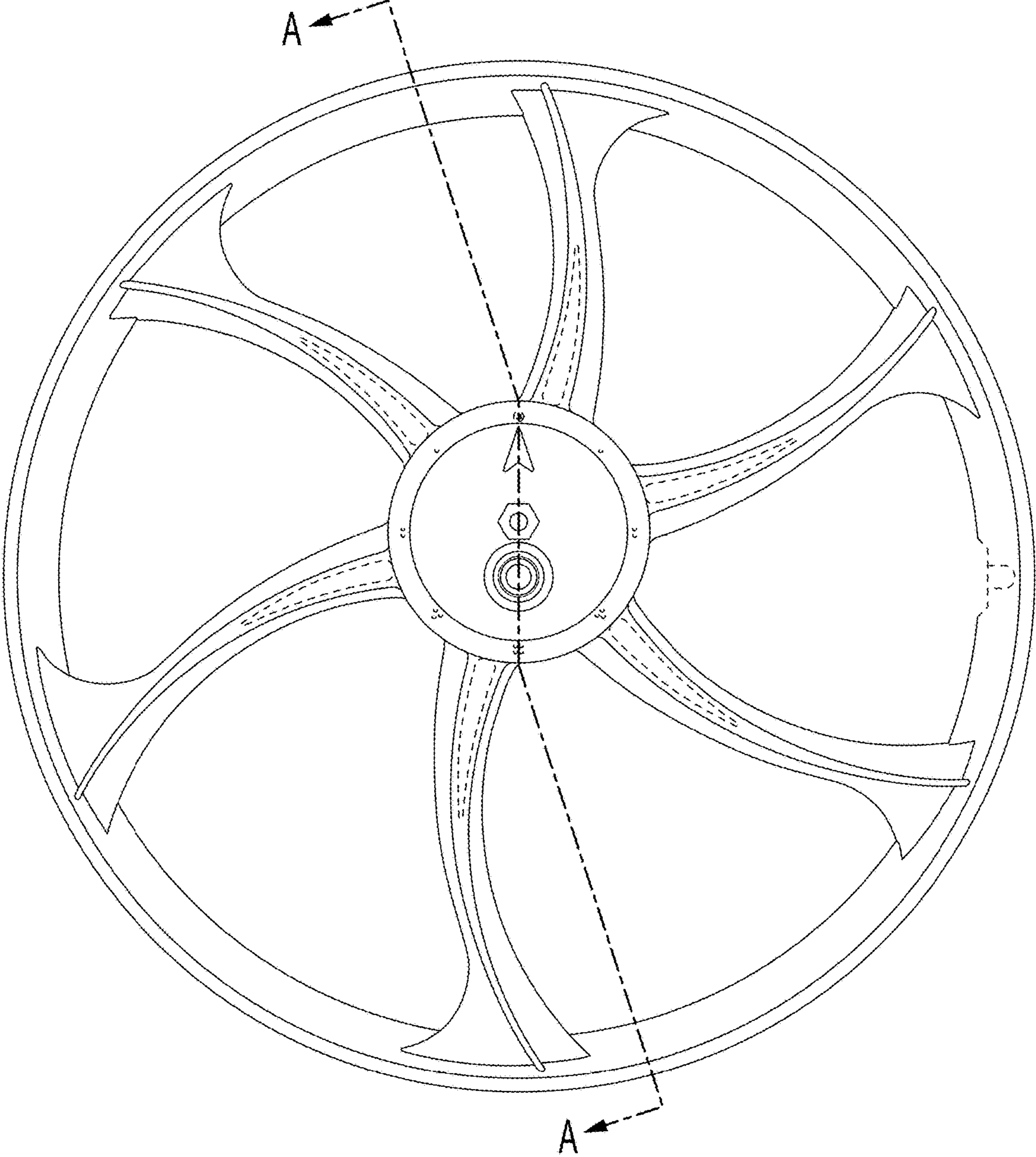


FIG. 2

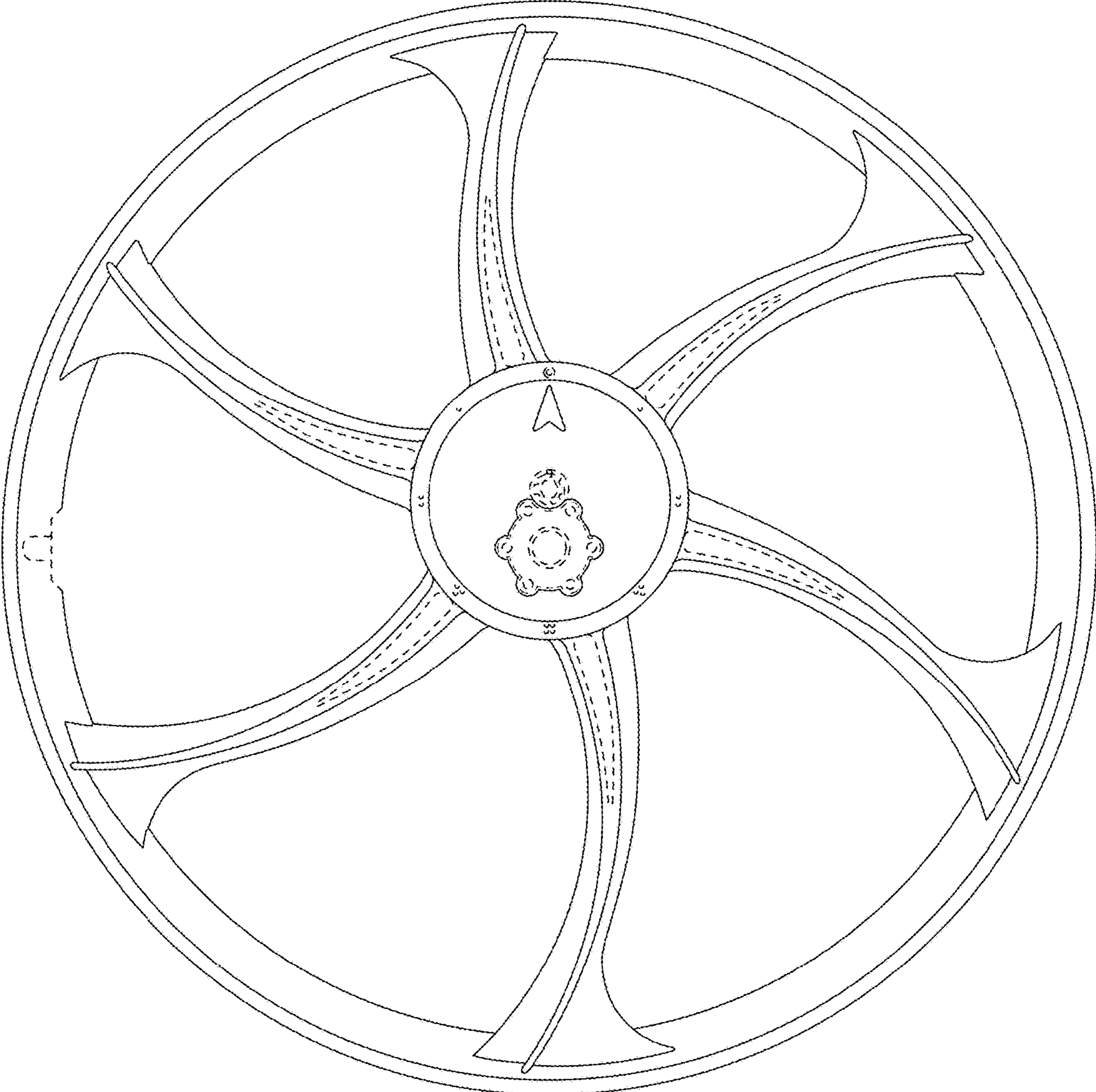


FIG. 3

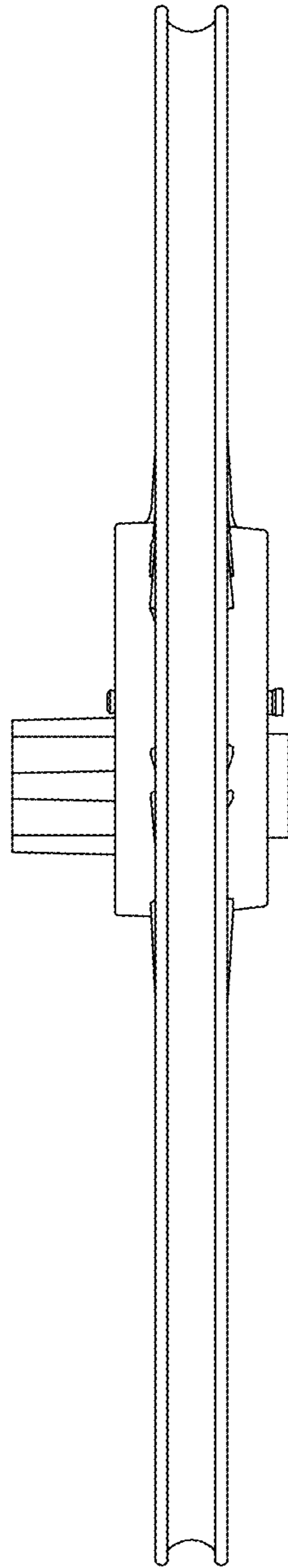


FIG. 4

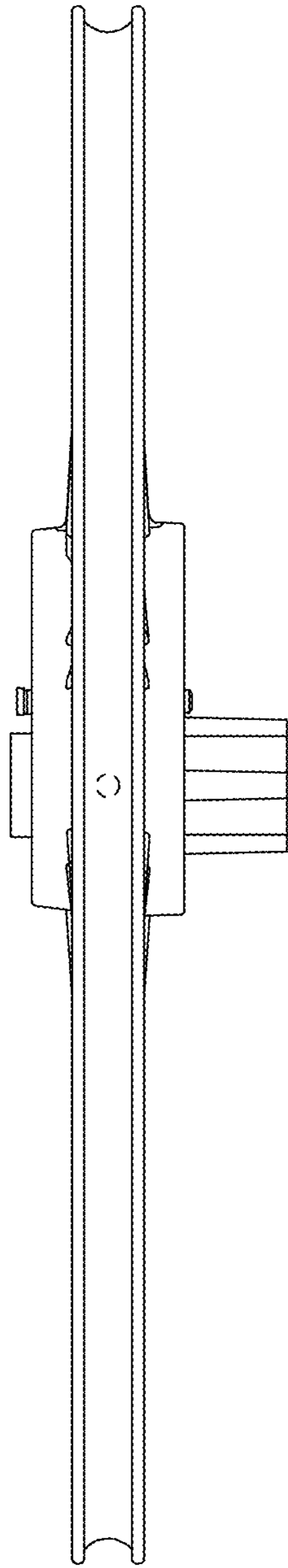


FIG. 5

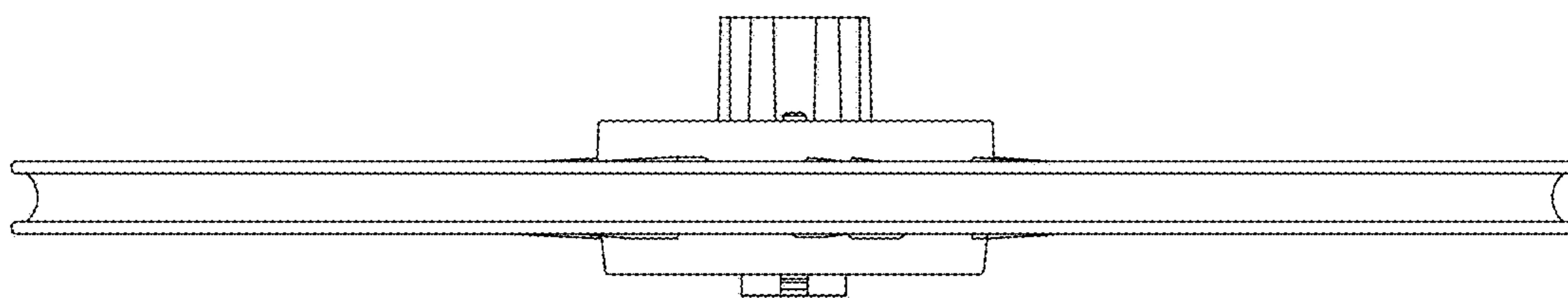


FIG. 6

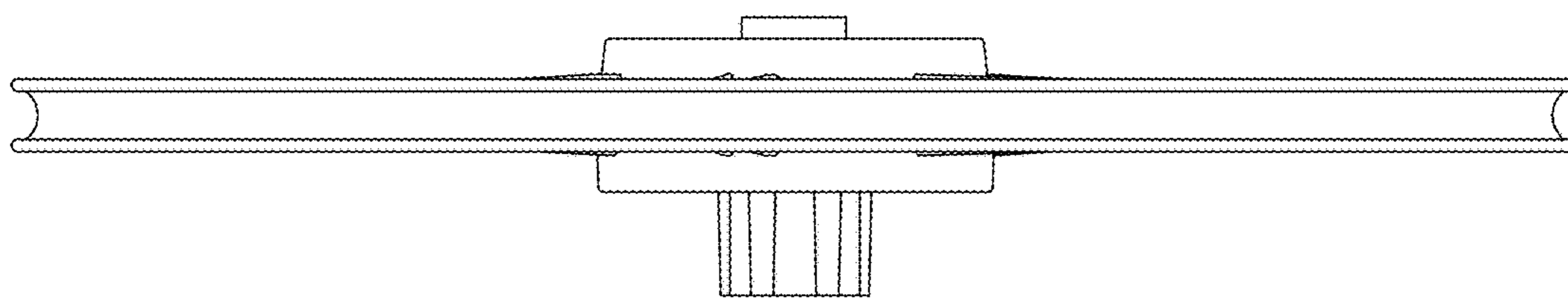


FIG. 7



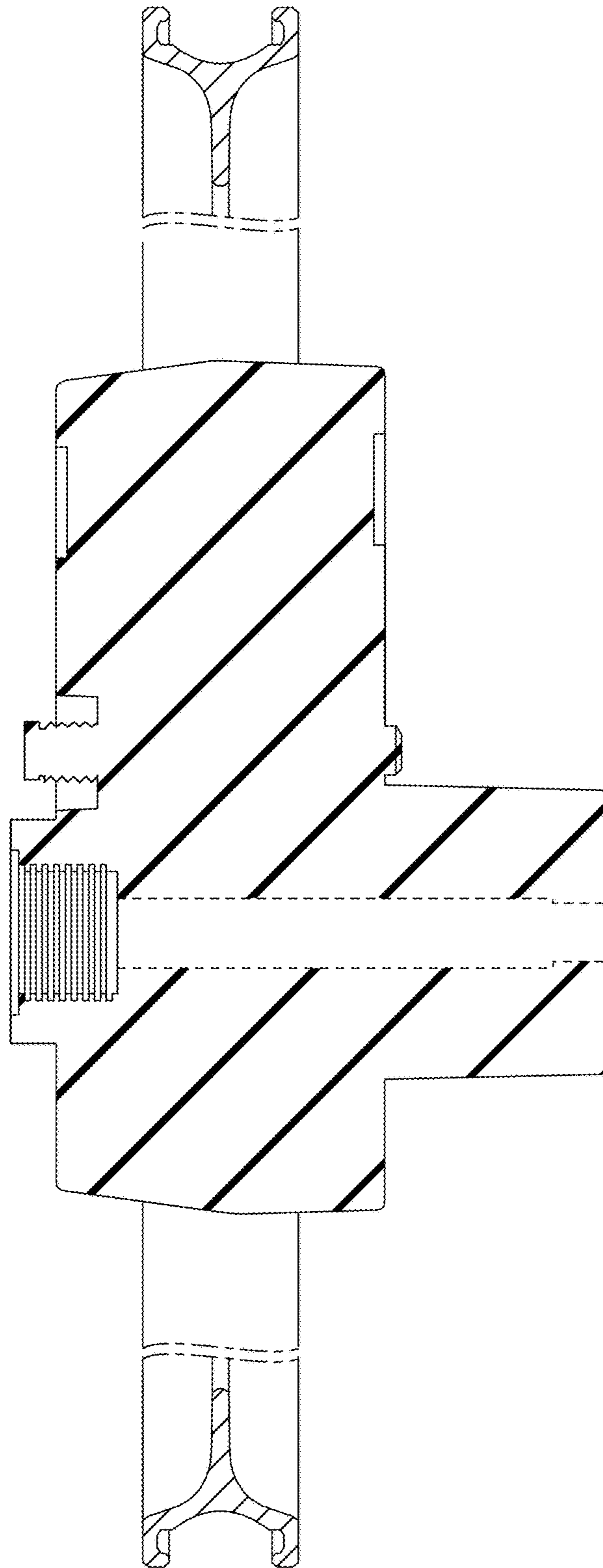


FIG. 8

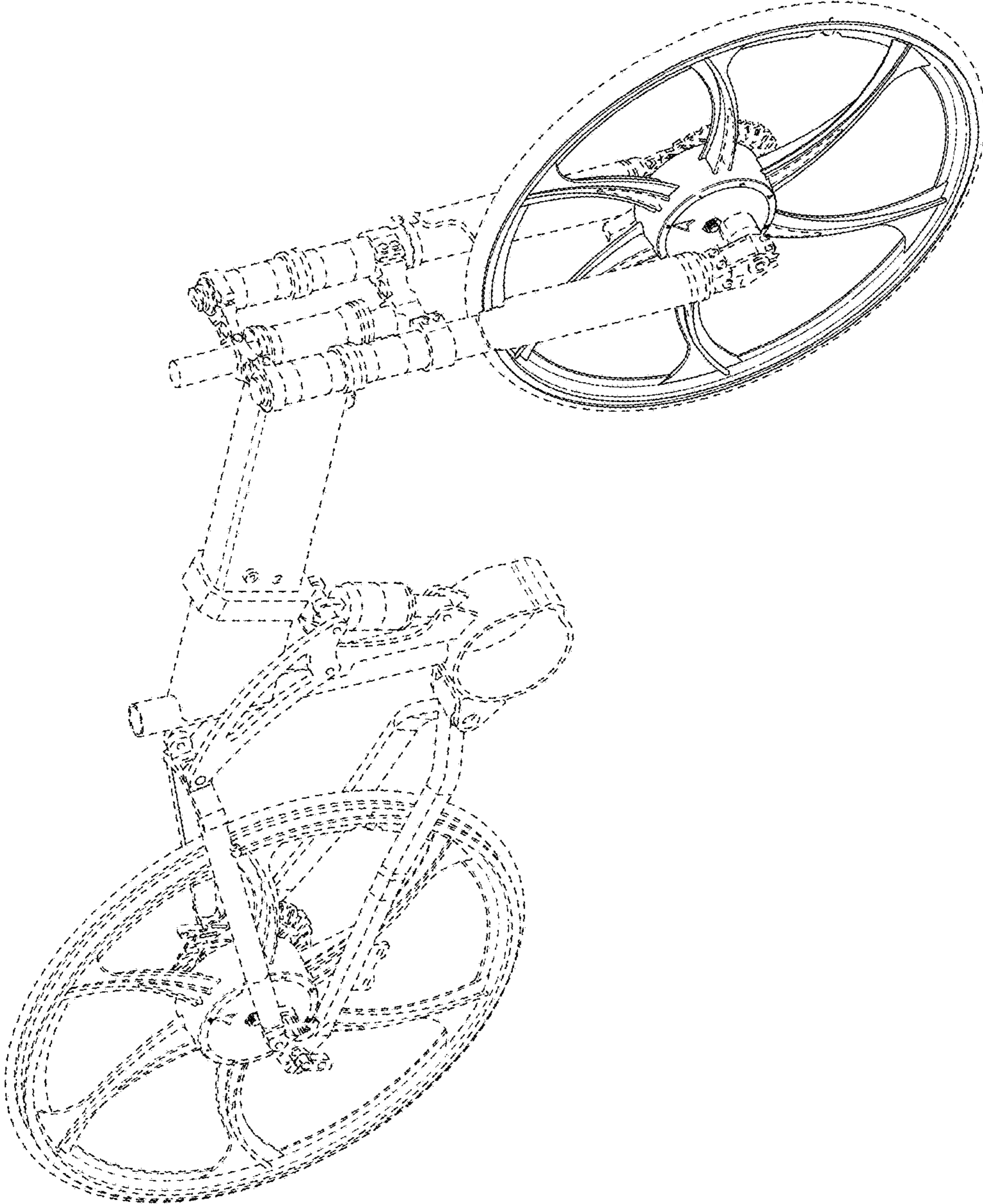


FIG. 9