



US00D806626S

(12) **United States Design Patent** (10) **Patent No.:** **US D806,626 S**  
**Tran** (45) **Date of Patent:** **\*\* Jan. 2, 2018**

(54) **WHEEL**  
(71) Applicant: **Wheel Pros, LLC**, Greenwood Village, CO (US)  
(72) Inventor: **Peter Tran**, Lake Hughes, CA (US)  
(\*\*) Term: **15 Years**  
(21) Appl. No.: **29/579,608**  
(22) Filed: **Sep. 30, 2016**  
(51) **LOC (11) Cl.** ..... **12-16**  
(52) **U.S. Cl.**  
USPC ..... **D12/208**  
(58) **Field of Classification Search**  
USPC ..... D12/204–213  
CPC .... B60B 7/00; B60B 7/02; B60B 7/04; B60B 7/01; B60B 7/06; B60B 3/02; B60B 3/04; B60B 3/06; B60B 3/10; B60B 1/00; B60B 1/08; B60B 1/10; B60B 1/12  
See application file for complete search history.

D579,845 S \* 11/2008 Chung ..... D12/209  
D583,291 S \* 12/2008 Treadway ..... D12/211  
D590,317 S \* 4/2009 Chung ..... D12/211  
D598,357 S 8/2009 Chung .....  
D638,763 S \* 5/2011 Chung ..... D12/209  
D638,767 S 5/2011 Groom .....  
D639,228 S \* 6/2011 Johnson ..... D12/211  
D649,101 S \* 11/2011 Hale, Jr. .... D12/209  
D669,009 S 10/2012 Chung .....  
D680,485 S \* 4/2013 Zhao ..... D12/211  
D684,101 S \* 6/2013 Alfonso ..... D12/211  
D691,543 S \* 10/2013 Gordon ..... D12/209  
D695,193 S 12/2013 Kong .....  
D698,298 S 1/2014 Cortes .....  
D698,299 S \* 1/2014 Chung ..... D12/211  
D698,300 S 1/2014 Chung .....  
D704,118 S \* 5/2014 Chung ..... D12/209  
D704,123 S \* 5/2014 Rahman ..... D12/211  
D704,616 S \* 5/2014 Chung ..... D12/211  
D711,304 S 8/2014 Chung .....  
D715,211 S 10/2014 Gotschke .....  
D719,893 S \* 12/2014 Kim ..... D12/211  
D723,992 S \* 3/2015 Zhao ..... D12/209  
D726,628 S 4/2015 Kong .....  
D753,048 S \* 4/2016 Chan ..... D12/211

(Continued)

(56) **References Cited**  
U.S. PATENT DOCUMENTS

D273,102 S	3/1984	Woodward
D291,796 S	9/1987	Reid
D361,975 S	9/1995	Weld
D408,775 S	4/1999	Shikado
D453,724 S	2/2002	Hodges
D455,698 S	4/2002	Chung
D464,010 S	10/2002	Chung
D467,212 S	12/2002	Noriega
D478,542 S	8/2003	Sulahian
D482,996 S	12/2003	Sulahian
D492,925 S	7/2004	Fitzgerald
D496,317 S	9/2004	Kataoka
D569,777 S	5/2008	Chung
D576,936 S	9/2008	Imai
D578,457 S	10/2008	Guidry

*Primary Examiner* — Sandra Snapp  
(74) *Attorney, Agent, or Firm* — Eric Hanscom

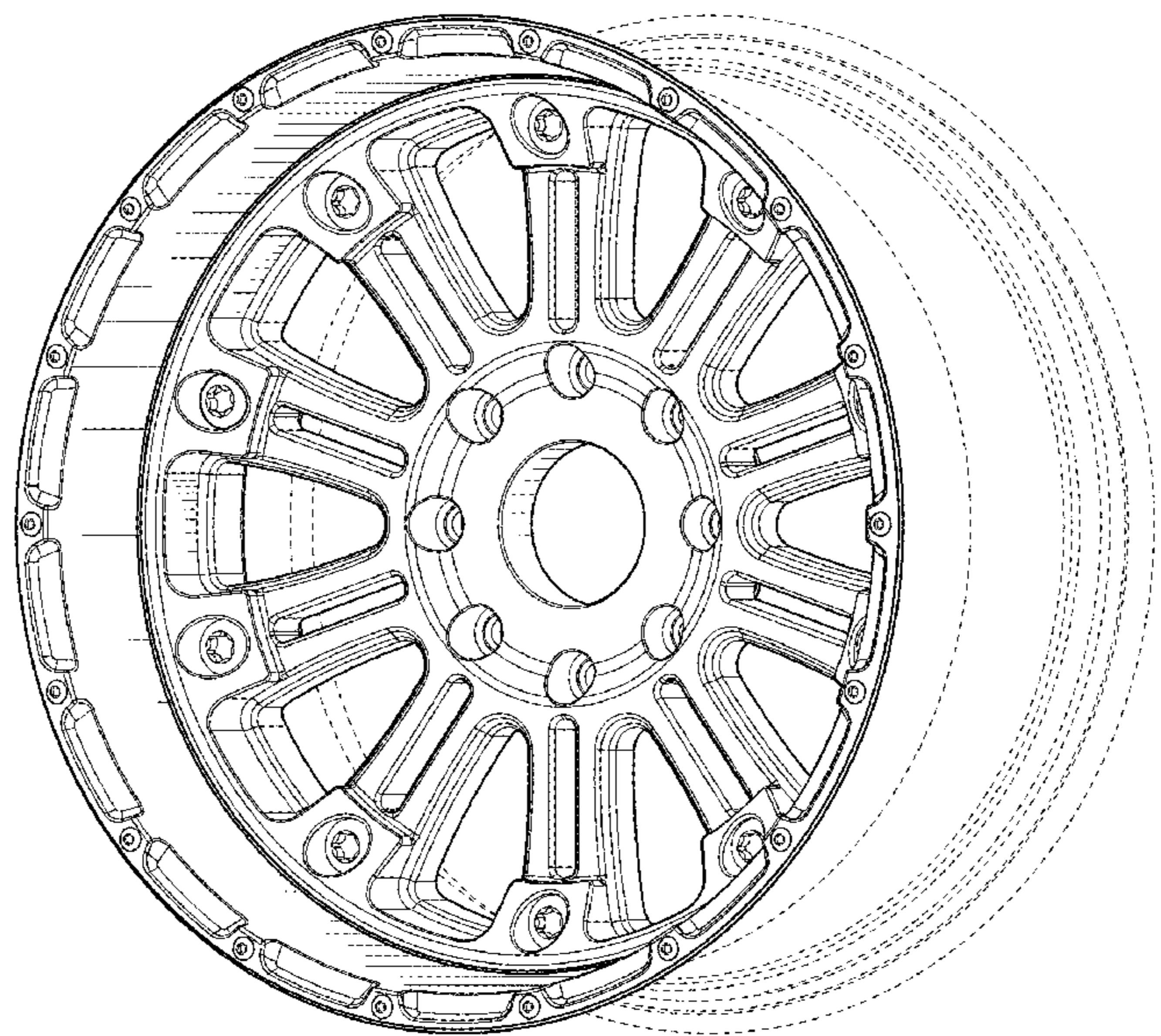
(57) **CLAIM**

The ornamental design for a wheel, as shown and described.

**DESCRIPTION**

FIG. 1 is a perspective view of a wheel showing my new design; and,  
FIG. 2 is a front view thereof.  
In the drawings, broken lines shown in the drawings depict environmental subject matter only and form no part of the claimed design.

**1 Claim, 2 Drawing Sheets**



(56)

**References Cited**

U.S. PATENT DOCUMENTS

D764,374 S \* 8/2016 Chung ..... D12/211  
D764,375 S \* 8/2016 Chung ..... D12/211

\* cited by examiner



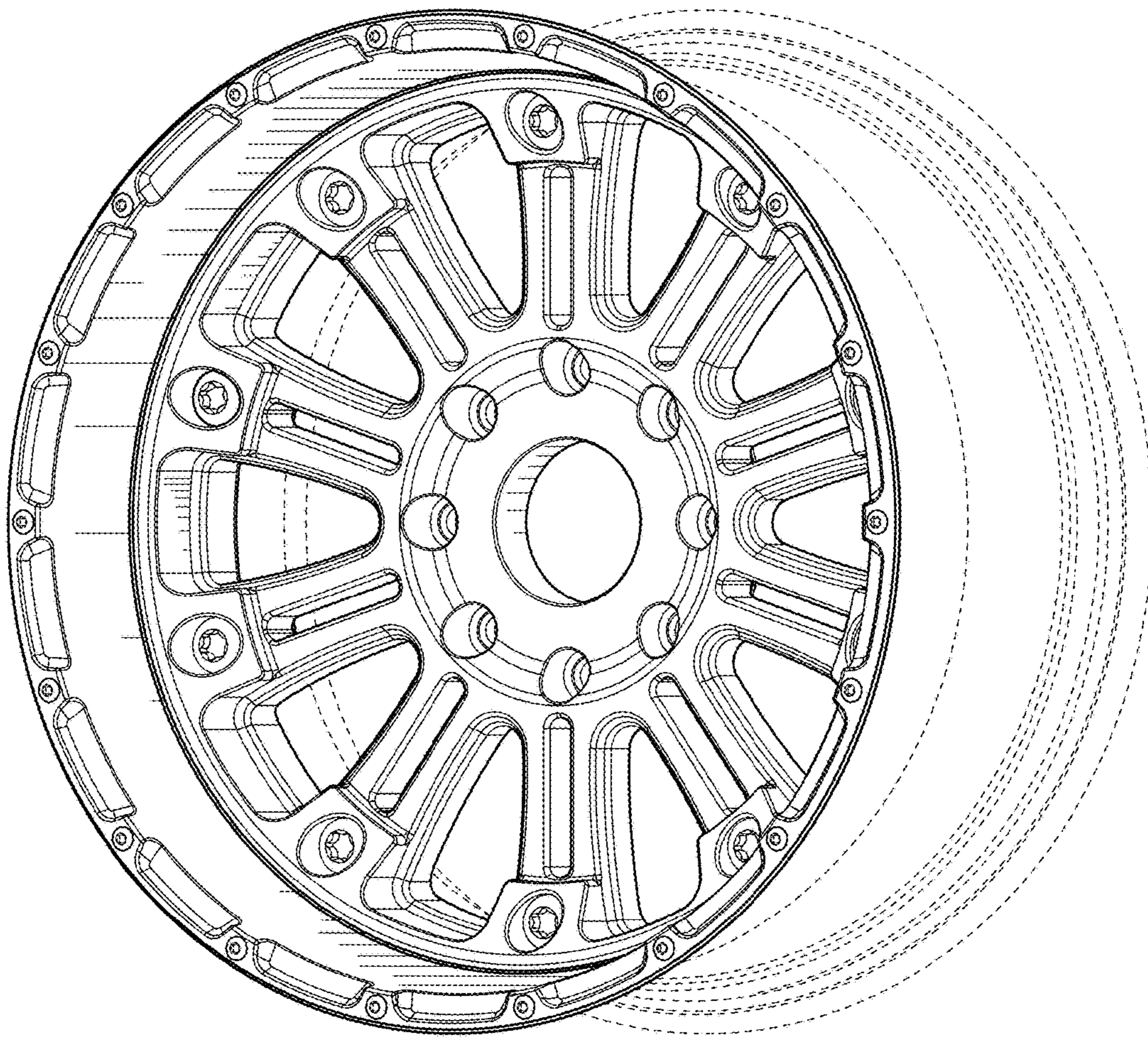


FIG. 1



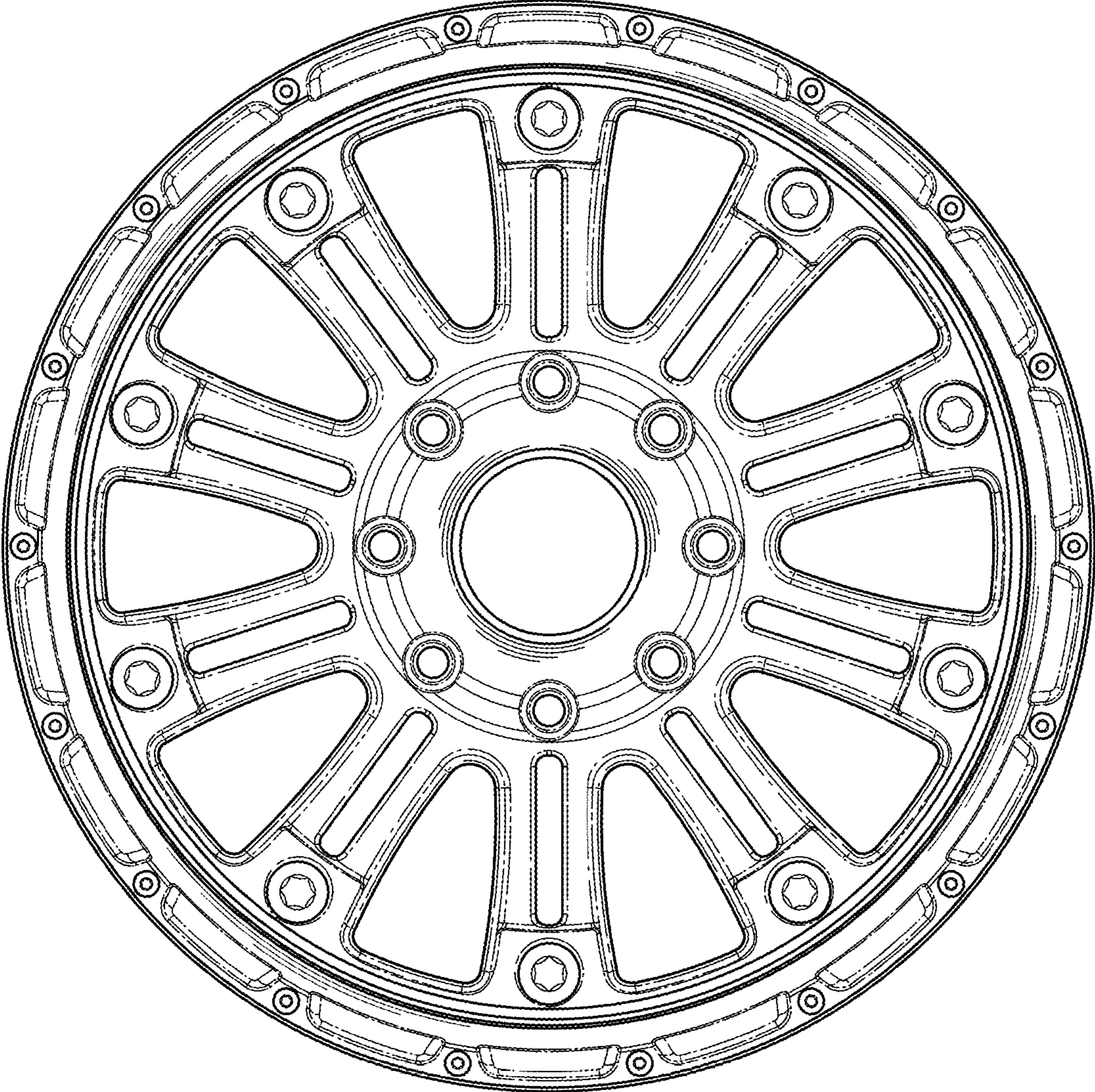


FIG. 2