



US00D806625S

(12) **United States Design Patent**
Hoffman et al.

(10) **Patent No.:** **US D806,625 S**
(45) **Date of Patent:** **** Jan. 2, 2018**

(54) **COLLAPSIBLE HITCH MOUNTED VEHICLE STAIRS**

(71) Applicant: **RADIO SYSTEMS CORPORATION**,
Knoxville, TN (US)

(72) Inventors: **Patrick Hoffman**, Arlington, TX (US);
David King, Allen, TX (US); **Thomas Murphy**,
Arlington, TX (US)

(73) Assignee: **RADIO SYSTEMS CORPORATION**,
Knoxville, TN (US)

(**) Term: **15 Years**

(21) Appl. No.: **29/558,336**

(22) Filed: **Mar. 16, 2016**

(51) **LOC (11) Cl.** **12-16**

(52) **U.S. Cl.**
USPC **D12/203**

(58) **Field of Classification Search**
USPC D12/203, 89, 314; D25/62, 63, 65, 69
CPC .. B60R 3/00; B60R 3/02; B60R 3/002; B60R
3/005; B60R 3/007
See application file for complete search history.

(56) **References Cited**

U.S. PATENT DOCUMENTS

4,108,457	A *	8/1978	Garrett	B60R 3/02 105/447
D296,431	S *	6/1988	Yont	D12/203
D315,134	S *	3/1991	Springer	D12/203
D316,394	S *	4/1991	Carr	D12/203
5,228,707	A *	7/1993	Yoder	B60R 3/02 182/127
D370,452	S *	6/1996	Beasley	D12/203
5,547,040	A *	8/1996	Hanser	B60R 3/02 182/127
D381,948	S *	8/1997	Schult	D12/203
5,941,342	A *	8/1999	Lee	B60R 3/02 182/127

5,957,237	A *	9/1999	Tigner	B60R 3/02 182/127
D448,335	S *	9/2001	Ehnes	D12/203
D520,429	S *	5/2006	Woodard	D12/203
D537,399	S *	2/2007	Riddle	D12/203
D644,742	S *	9/2011	Rivera, Jr.	D25/62
D652,776	S *	1/2012	Agoncillo	D12/203
8,246,063	B1 *	8/2012	Rowland	B60R 3/02 280/163
8,251,178	B2 *	8/2012	Krobot	B60R 3/02 182/127
D713,310	S *	9/2014	Stringfellow	D12/203
D713,772	S *	9/2014	Ziaylek	D12/203
D717,713	S *	11/2014	Whalen	D12/317
9,487,148	B2 *	11/2016	Kichline, Jr.	B60R 3/02

(Continued)

Primary Examiner — George D. Kirschbaum

Assistant Examiner — Clese Moore, Jr.

(74) *Attorney, Agent, or Firm* — Baker, Donelson,
Bearman, Caldwell & Berkowitz, PC

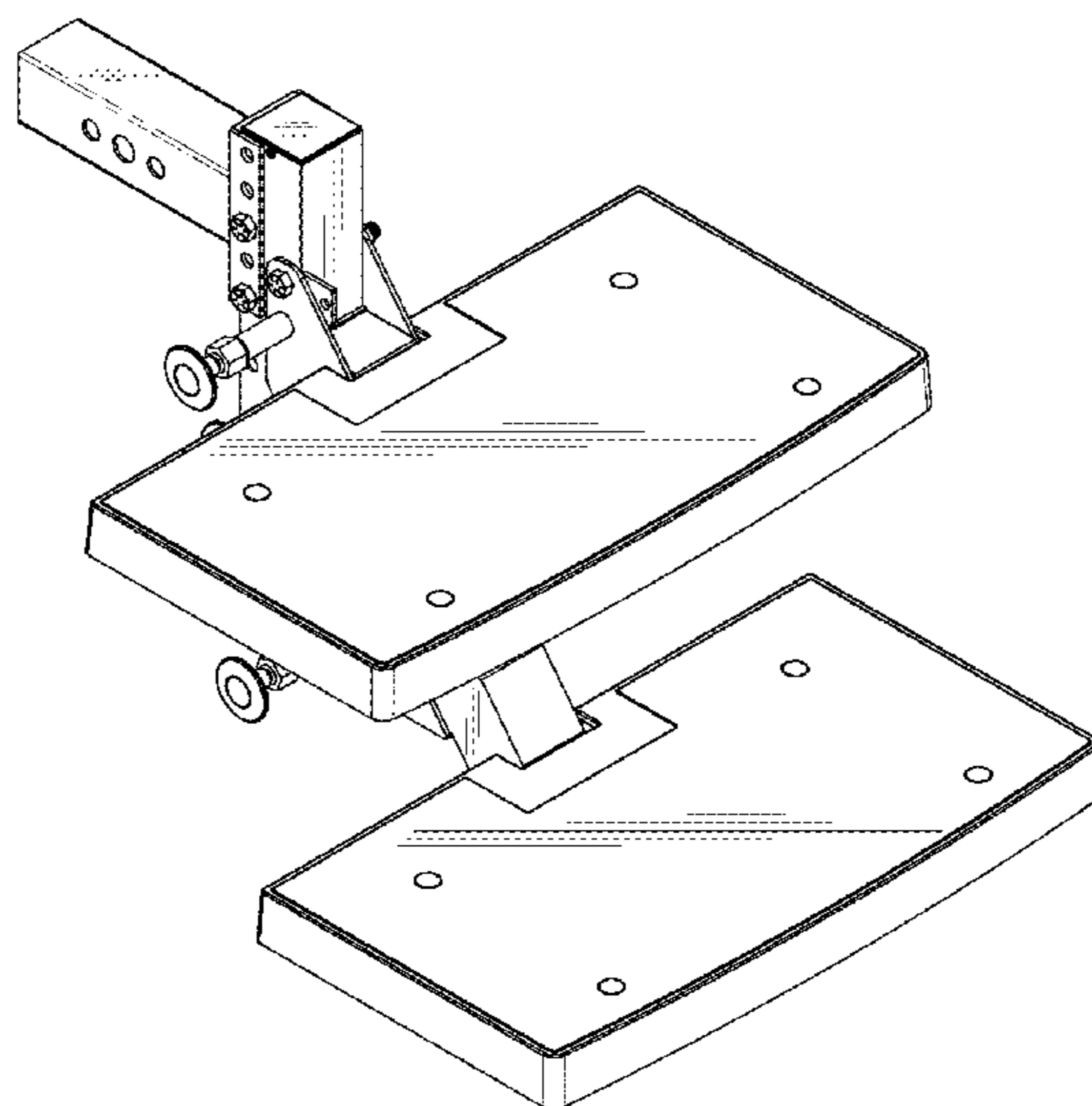
(57) **CLAIM**

The ornamental design for a collapsible hitch mounted vehicle stairs, as shown and described.

DESCRIPTION

FIG. 1 is open-top perspective view of a collapsible hitch mounted vehicle stairs showing my design;
FIG. 2 is an open-bottom perspective view thereof;
FIG. 3 is an open-side elevational view thereof;
FIG. 4 is an open-front elevational view thereof;
FIG. 5 is an open-top plan view thereof;
FIG. 6 is an open-bottom plan view thereof;
FIG. 7 is a closed-bottom perspective view thereof;
FIG. 8 is a closed-rear perspective view thereof;
FIG. 9 is a closed-side elevational view thereof;
FIG. 10 is a closed-bottom plan view thereof;
FIG. 11 is a closed-front elevational view thereof; and,
FIG. 12 is a closed-top plan view thereof.

1 Claim, 8 Drawing Sheets



(56)

References Cited

U.S. PATENT DOCUMENTS

2003/0070875	A1 *	4/2003	Medsker	B60R 3/02 182/91
2008/0157500	A1 *	7/2008	Raley	E06C 1/387 280/166
2009/0189365	A1 *	7/2009	Ferguson	B60R 3/02 280/166
2009/0243249	A1 *	10/2009	Arvanites	B60R 3/007 280/166
2010/0264618	A1 *	10/2010	Agoncillo	B60R 3/02 280/166
2013/0154230	A1 *	6/2013	Ziaylek	B60R 3/02 280/166
2014/0123910	A1 *	5/2014	Rorke	A01K 1/035 119/849
2015/0097353	A1 *	4/2015	Rasmussen	B60R 3/02 280/166

* cited by examiner

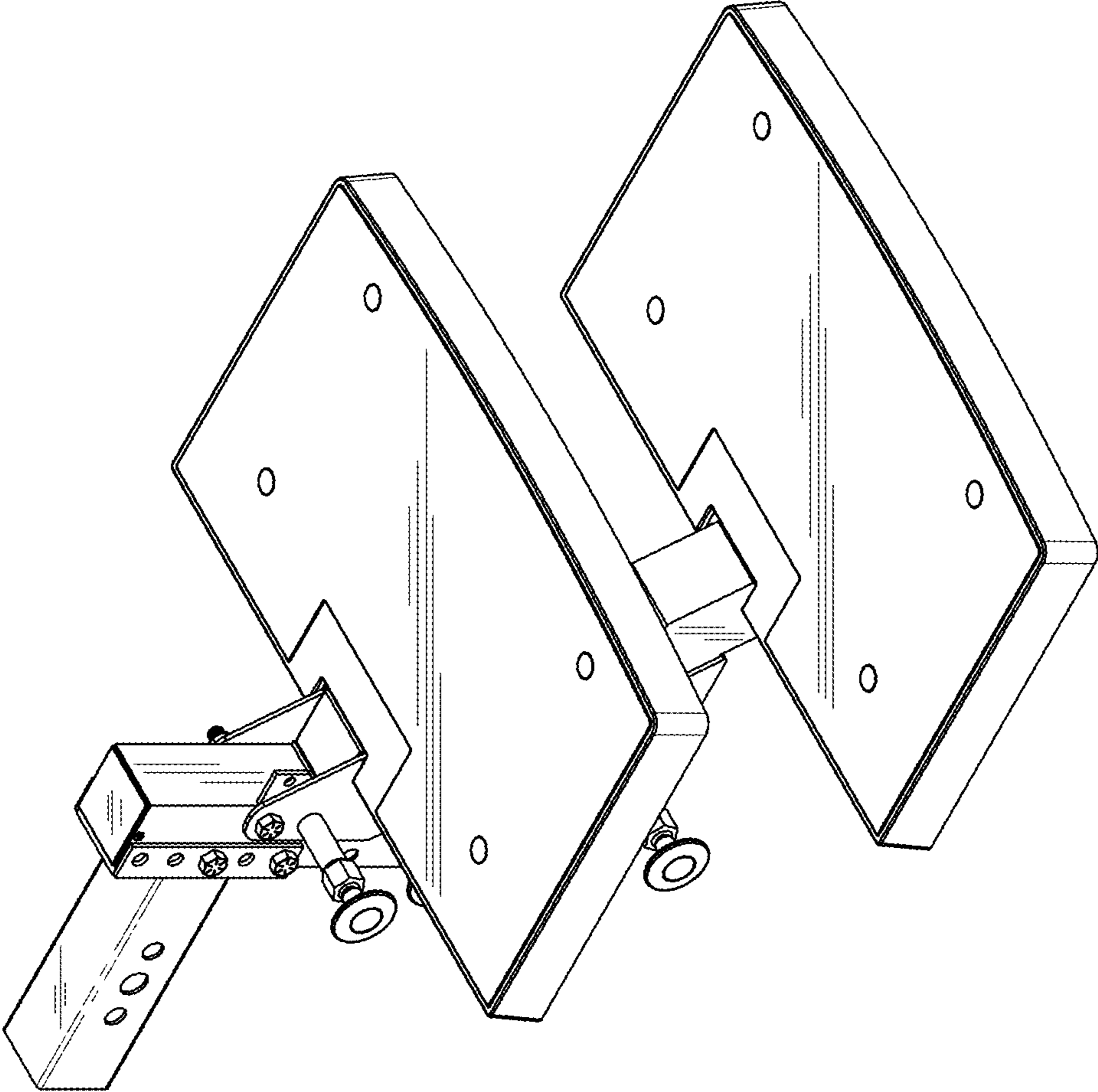


FIG. 1

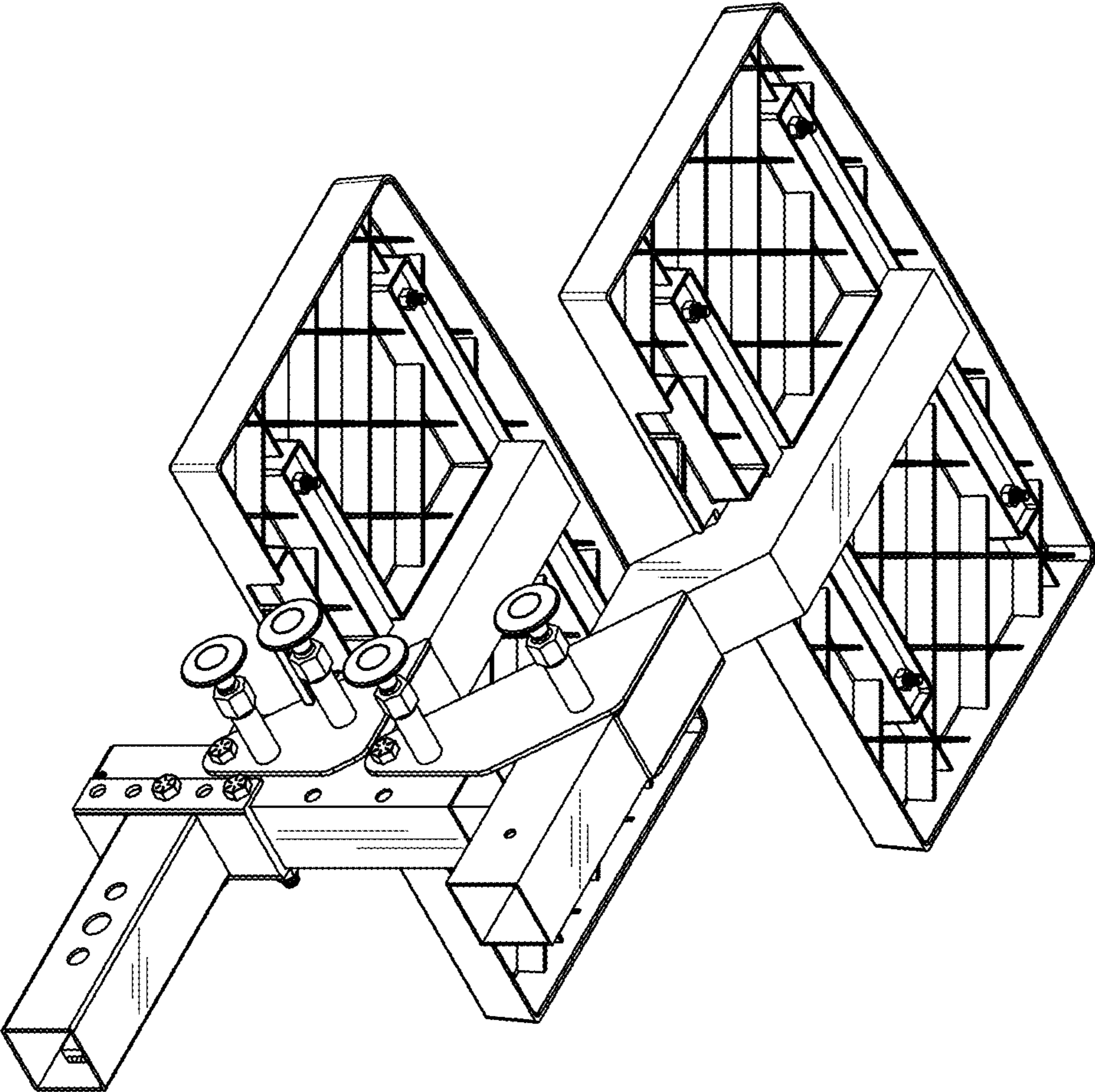


FIG. 2

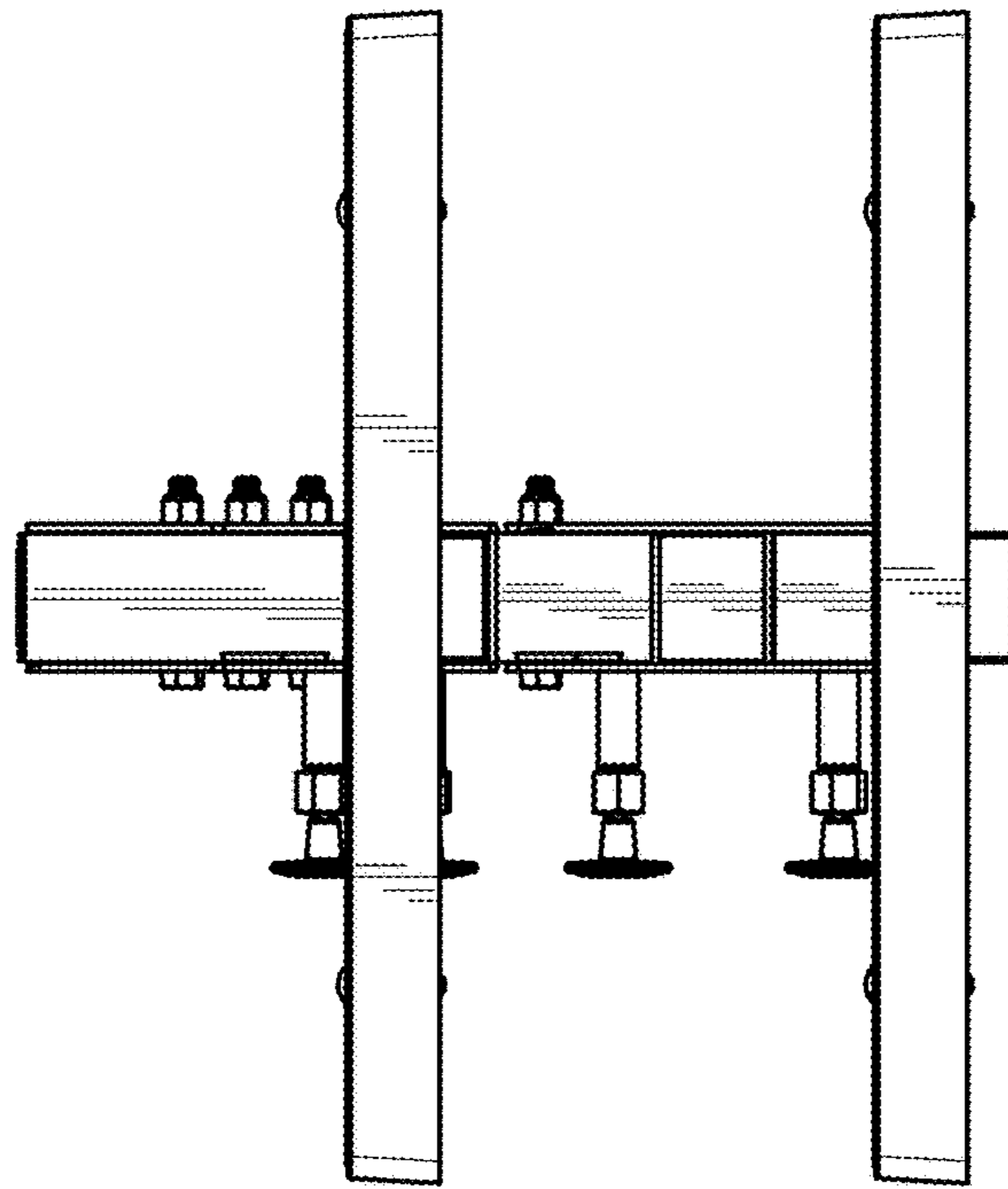


FIG. 4

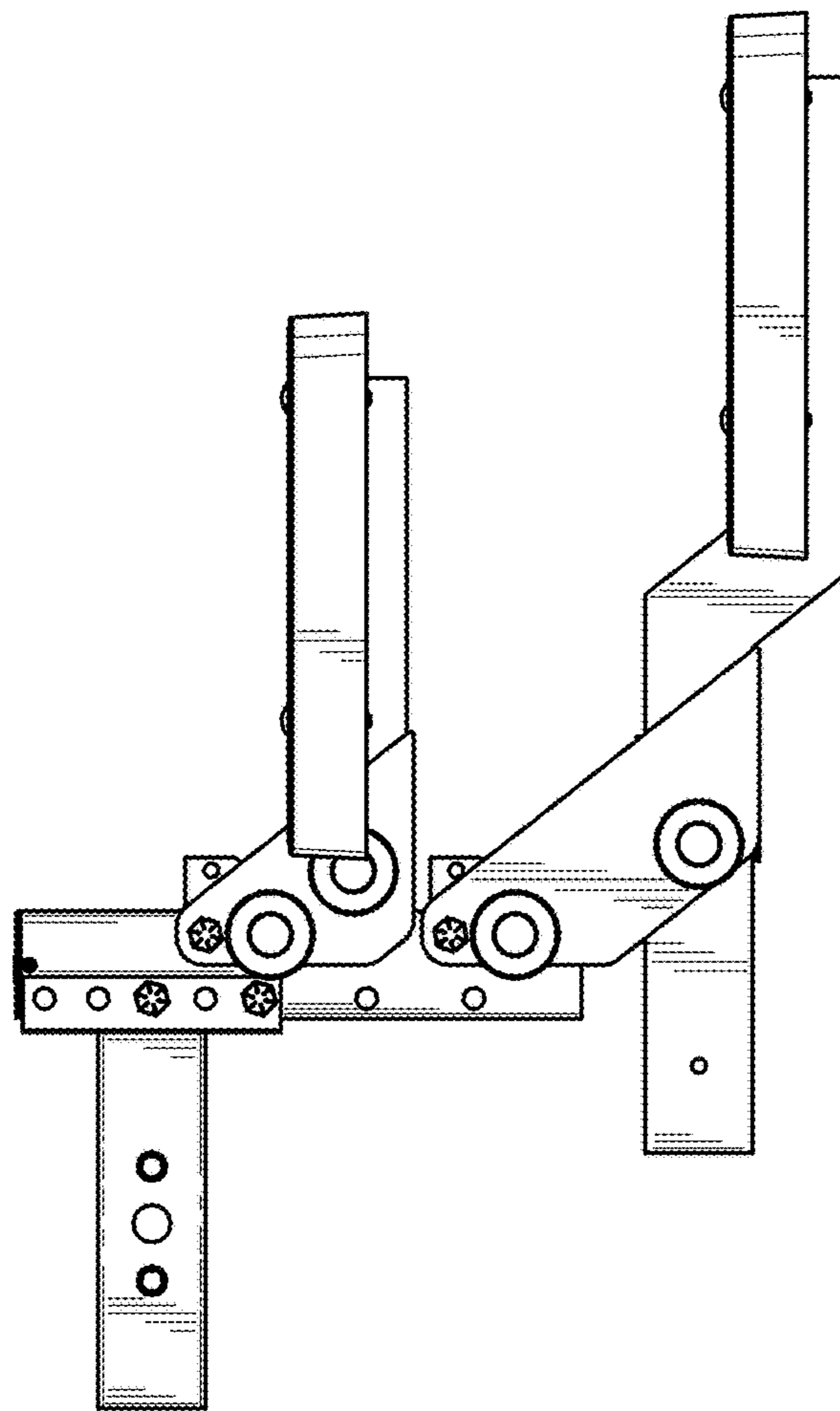


FIG. 3

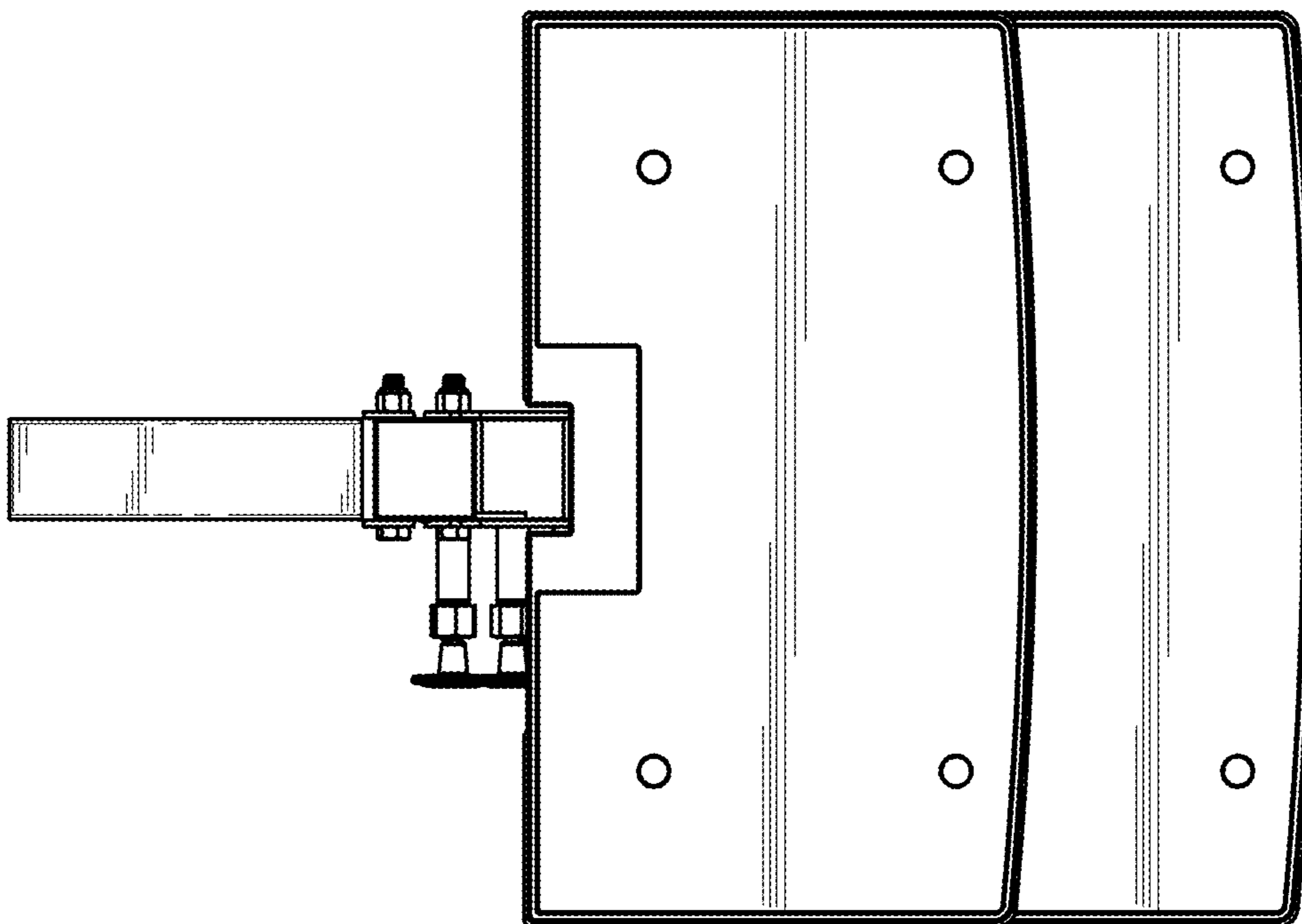


FIG. 5

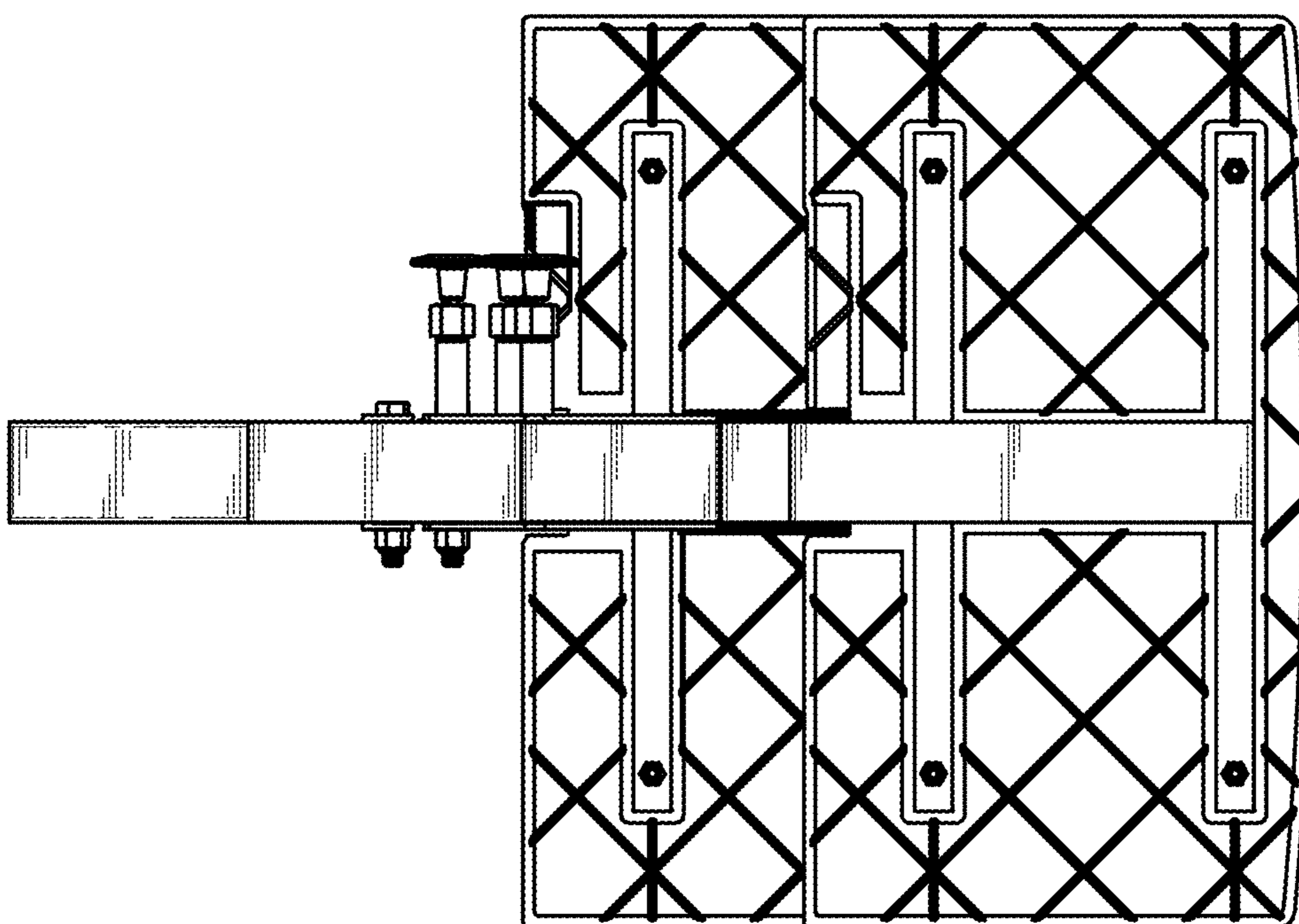


FIG. 6

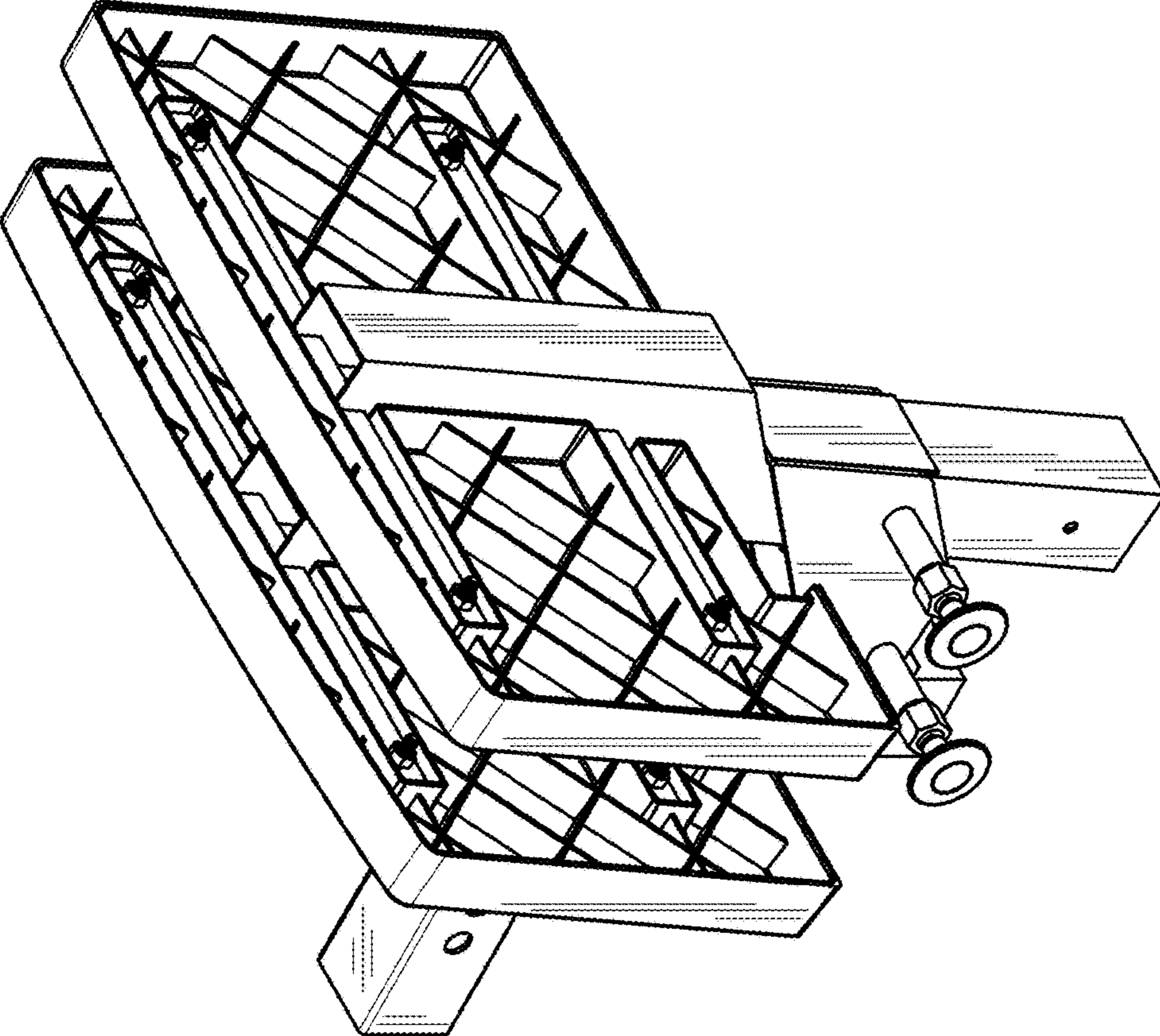


FIG. 7

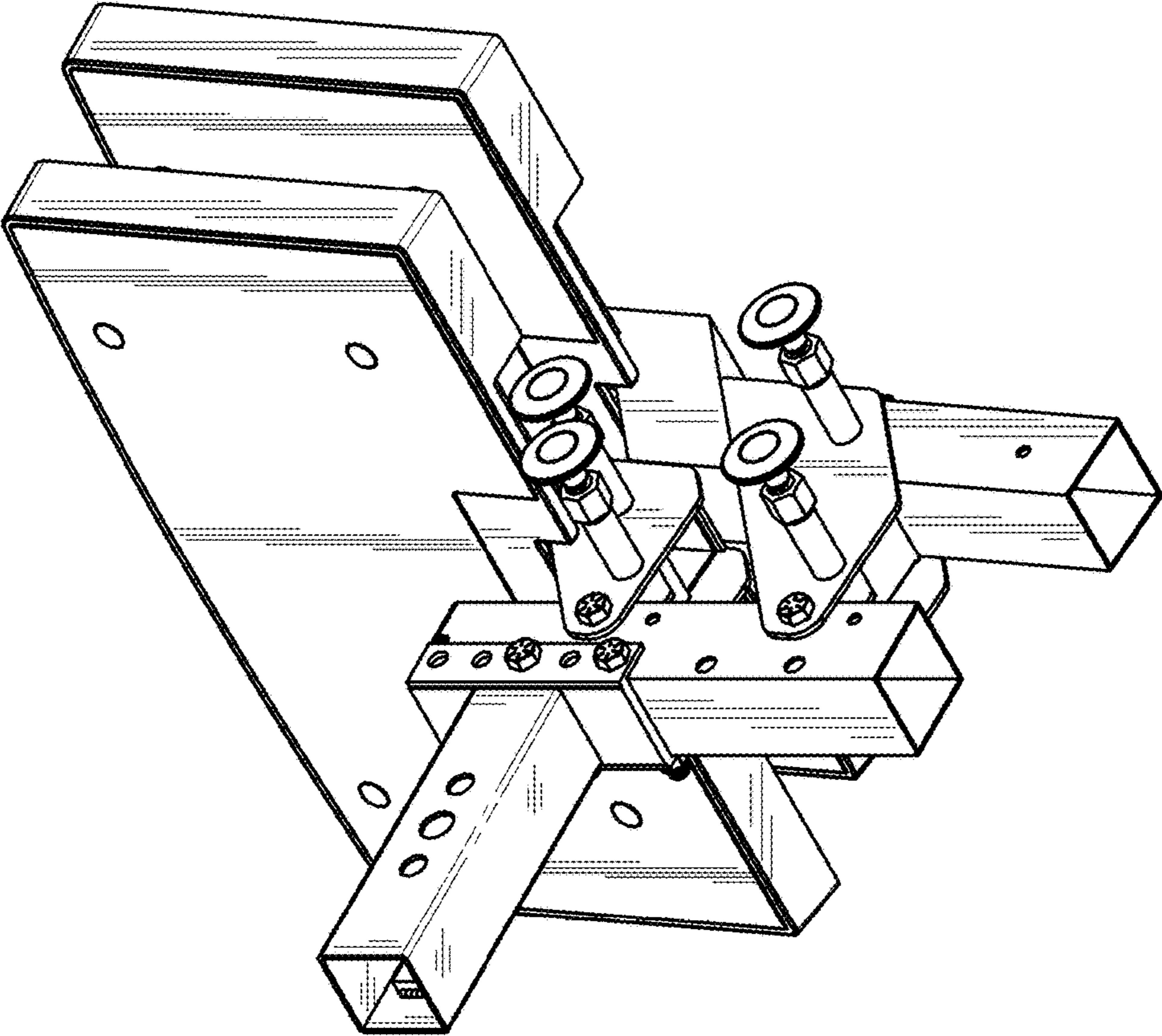


FIG. 8

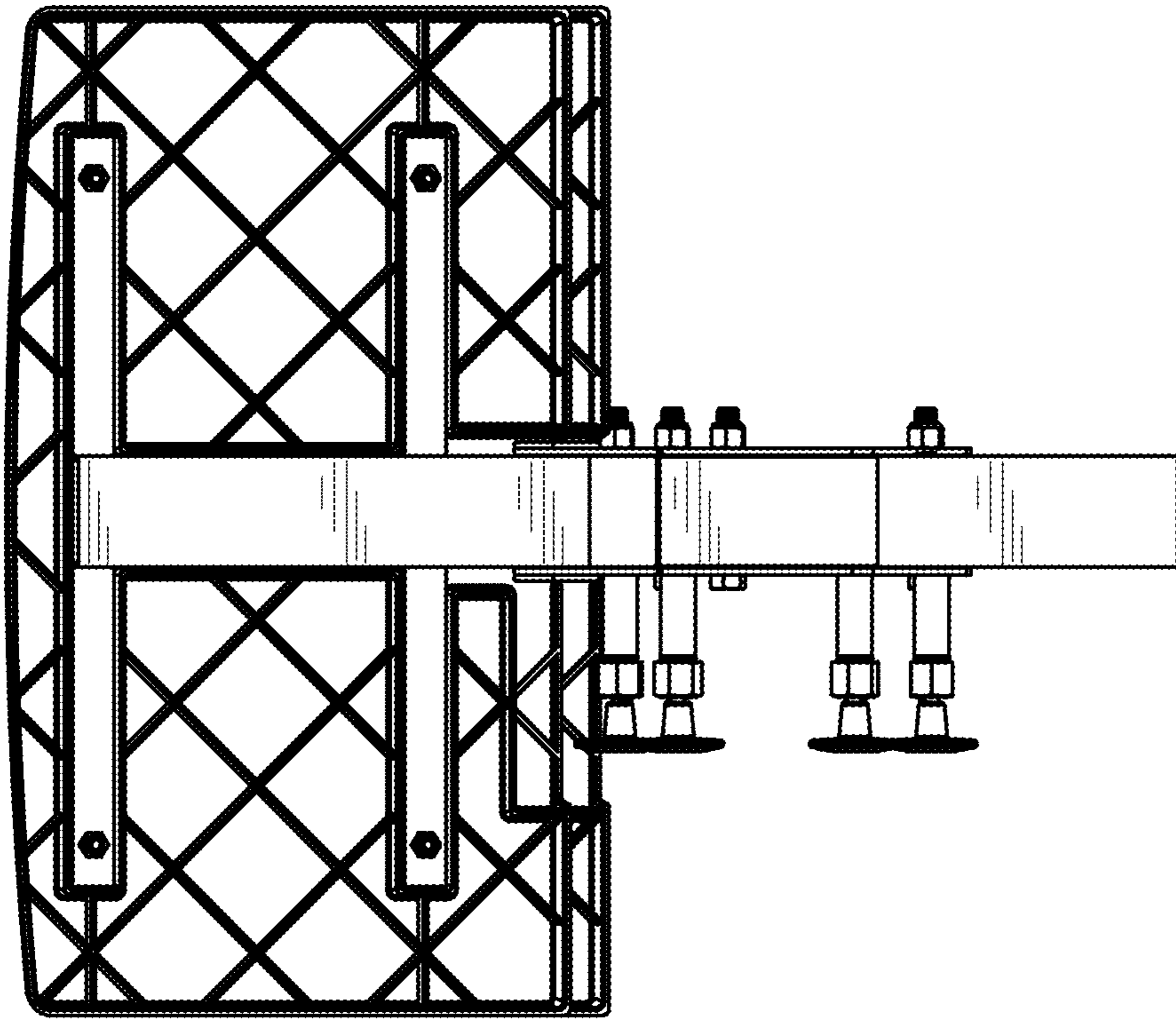


FIG. 10

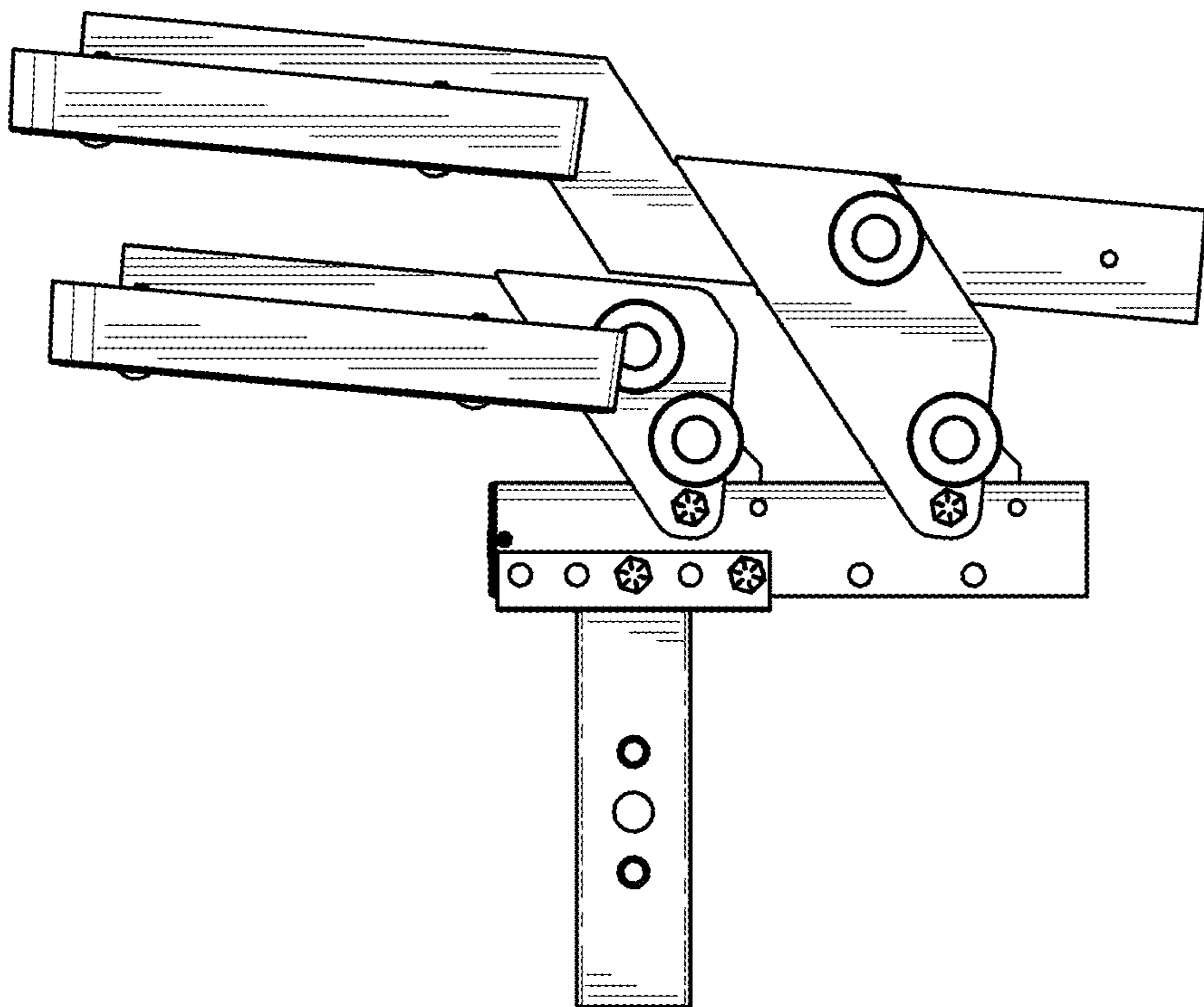


FIG. 9

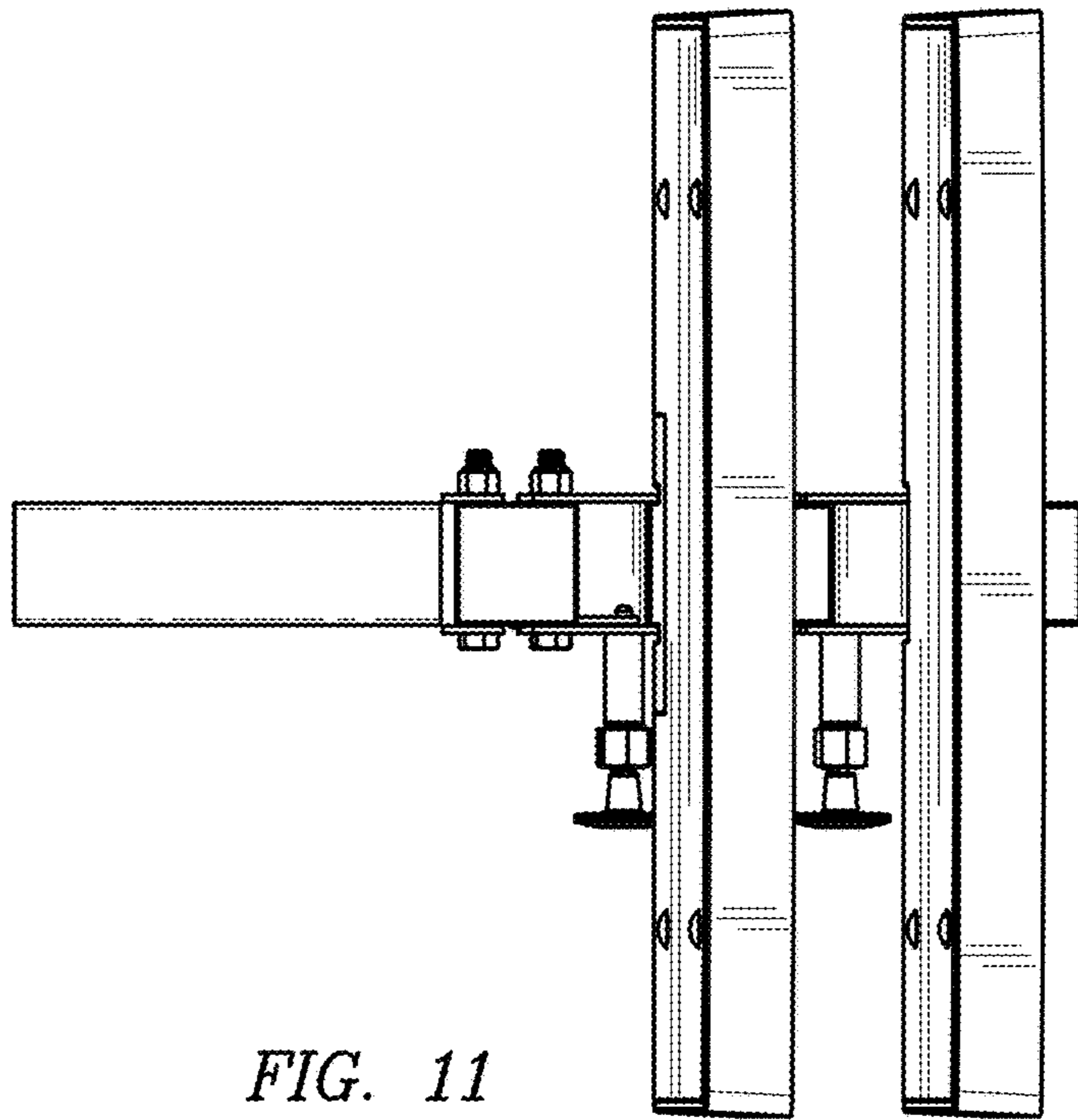


FIG. 11

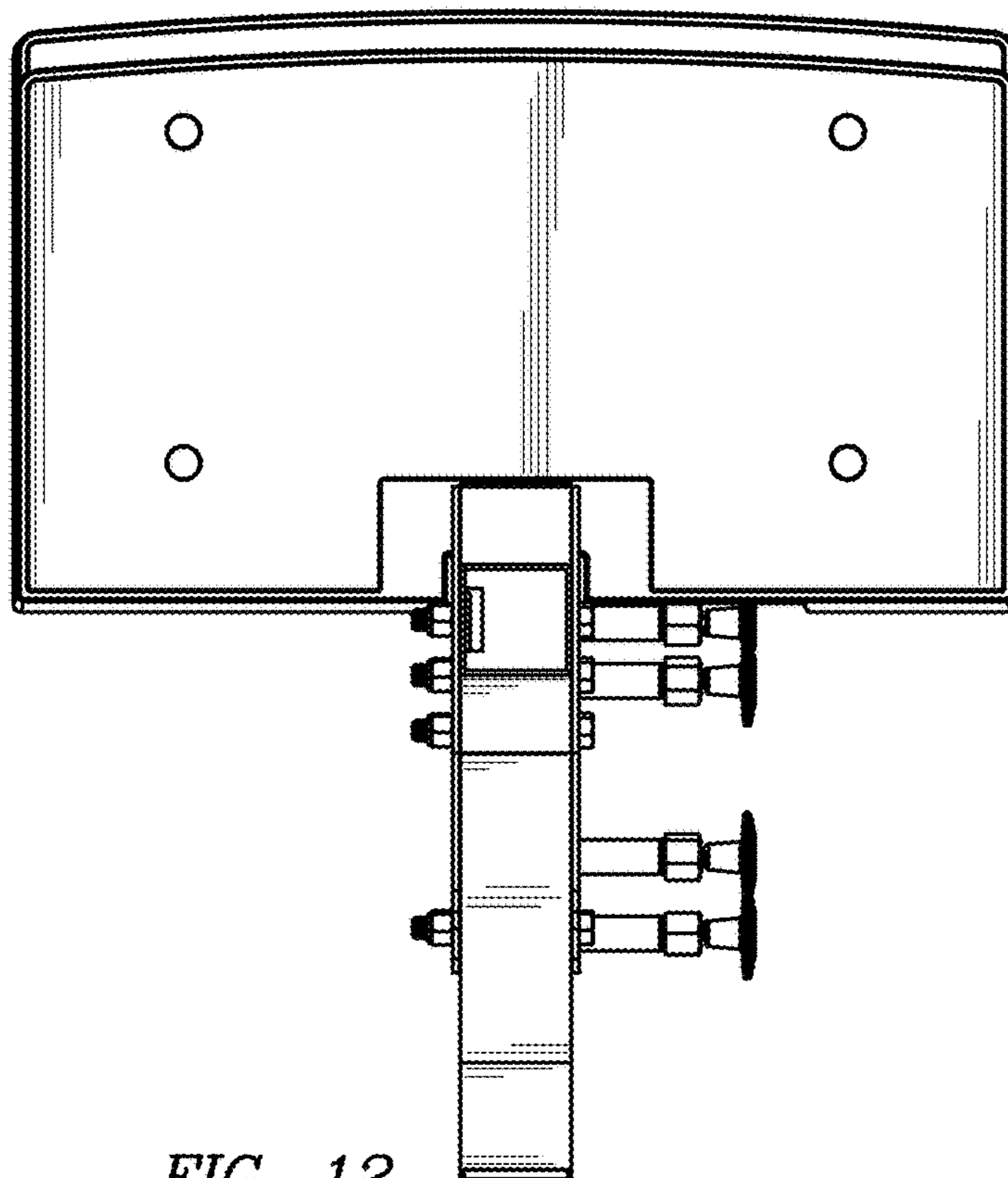


FIG. 12