



US00D806619S

(12) **United States Design Patent**
Burch, V et al.

(10) **Patent No.:** **US D806,619 S**
(45) **Date of Patent:** **** Jan. 2, 2018**

(54) **LEVER ARM GEAR SELECTOR**

D623,043 S * 9/2010 Riddiford D8/349
D635,062 S * 3/2011 Savola D12/127
D694,088 S * 11/2013 Le D8/308

(71) Applicant: **FEDEX CORPORATE SERVICES, INC.**, Collierville, TN (US)

(Continued)

(72) Inventors: **Reuben F. Burch, V**, Mississippi State, MS (US); **Howard McKinney**, Bartlett, TN (US); **Matthew Doude**, Starkville, MS (US); **Andrew LeClair**, Starkville, MS (US); **Matthew Bilson**, Starkville, MS (US); **Greggory Alan Morris**, Starkville, MS (US); **Davis Donald Hesler**, Biloxi, MS (US)

OTHER PUBLICATIONS

Chrome shift weight, image post date 2001, site visited Sep. 11, 2017, (online), <https://www.dieselgeek.com/5_Speed_VW_Short_Shifter_p/ss-sigma5.htm>.*

(Continued)

(73) Assignee: **FEDEX CORPORATE SERVICES, INC.**, Collierville, TN (US)

Primary Examiner — Kevin Rudzinski

Assistant Examiner — Sean D Lough

(74) *Attorney, Agent, or Firm* — Withers & Keys, LLC

(**) Term: **15 Years**

(57) **CLAIM**

The ornamental design for lever arm gear selector, as shown and described.

(21) Appl. No.: **29/577,422**

DESCRIPTION

(22) Filed: **Sep. 13, 2016**

(51) **LOC (11) Cl.** **12-16**

(52) **U.S. Cl.**
USPC **D12/179**

(58) **Field of Classification Search**
USPC D12/114, 174, 177, 178, 179; D8/88, D8/300, 303, 308, 359
CPC F16C 1/10; F16C 1/101; F16H 59/0204; F16H 59/0217; F16H 59/0278; F16H 59/042; F16H 61/30; G05G 1/06; G05G 19/00; G05G 9/02
See application file for complete search history.

FIG. 1 is a perspective view of a lever arm gear selector showing our new design;
FIG. 2 is a side view thereof as viewed from the right-hand side of the lever arm gear selector shown in FIG. 1 in an inverted position;
FIG. 3 is a side view thereof as viewed from the left-hand side of the lever arm gear selector shown in FIG. 1 in an inverted position;
FIG. 4 is a frontal view of the lever arm gear selector shown in FIG. 1 in an inverted position;
FIG. 5 is a rear view of the lever arm gear selector shown in FIG. 1 in an inverted position;
FIG. 6 is a top view of the lever arm gear selector shown in FIG. 1 in an inverted position; and,
FIG. 7 is a bottom view of the lever arm gear selector shown in FIG. 1 in an inverted position.

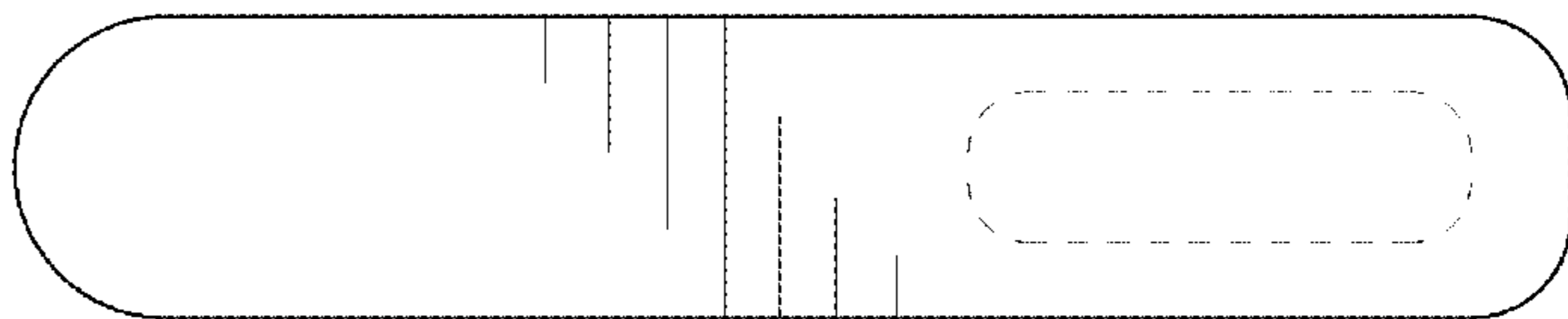
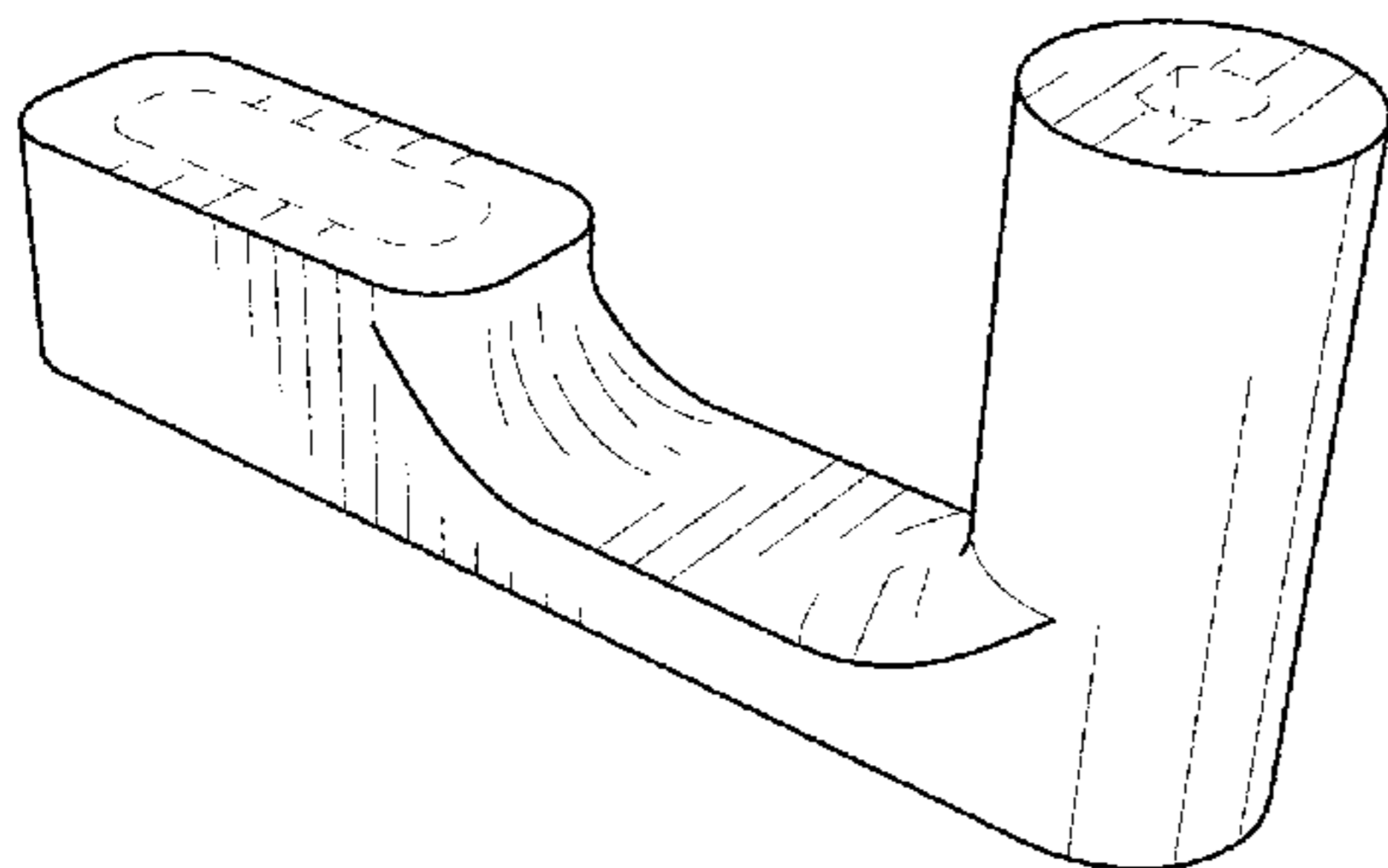
The broken lines shown in the drawings illustrate portions of the lever arm gear selector that forms no part of the claimed design.

(56) **References Cited**

U.S. PATENT DOCUMENTS

D300,299 S * 3/1989 Bellini D8/301
5,583,407 A * 12/1996 Yamaguchi A63F 9/0291
273/375
D467,208 S * 12/2002 Monson D12/179
D516,471 S * 3/2006 Zellers D12/133
D529,783 S * 10/2006 Corcino D8/301

1 Claim, 7 Drawing Sheets



(56)

References Cited

U.S. PATENT DOCUMENTS

D707,592 S * 6/2014 May D12/114
D710,180 S * 8/2014 Roberts, III E05B 85/10
D8/308
D724,499 S * 3/2015 Parvey D12/119
D766,809 S * 9/2016 Deng D12/400
D776,025 S * 1/2017 Tsai D12/179
D784,788 S * 4/2017 Weng D8/308
D794,412 S * 8/2017 Darmali D8/306
2005/0103146 A1 * 5/2005 Ciamillo F16H 59/0208
74/473.15

OTHER PUBLICATIONS

Harley Davidson Heel Toe Shifter Arms, image post date 2010, site visited Sep. 11, 2017, (online), <<http://www.ebay.com/itm/Harley-Davidson-Heel-Toe-Shifter-Arms-Set-Chrome-Gear-Shift-Levers-FLST-FLT-FLHT-/221821785399?fits=Make%3AHarley-Davidson>>.*
91 Kawasaki KX80 KX 80 OEM Gear Shift Change Pedal Lever Arm, image post date 1991, site visited Sep. 11, 2017, (online), <<http://www.ebay.ie/itm/91-KAWASAKI-KX80-KX-80-OEM-GEAR-SHIFT-CHANGE-PEDAL-LEVER-ARM-/131658555759?hash=item1ea776216f>>.*

* cited by examiner

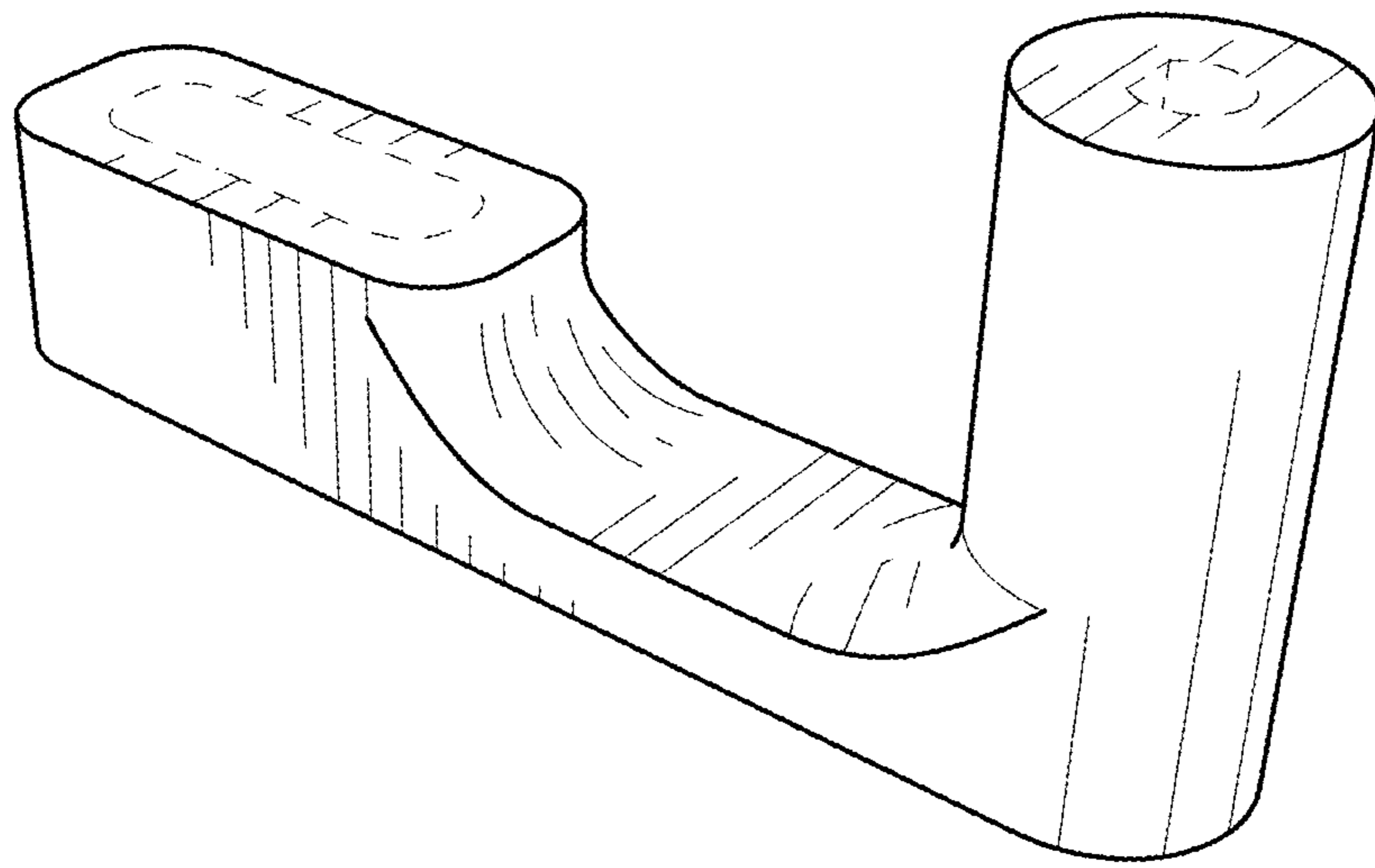


FIG. 1

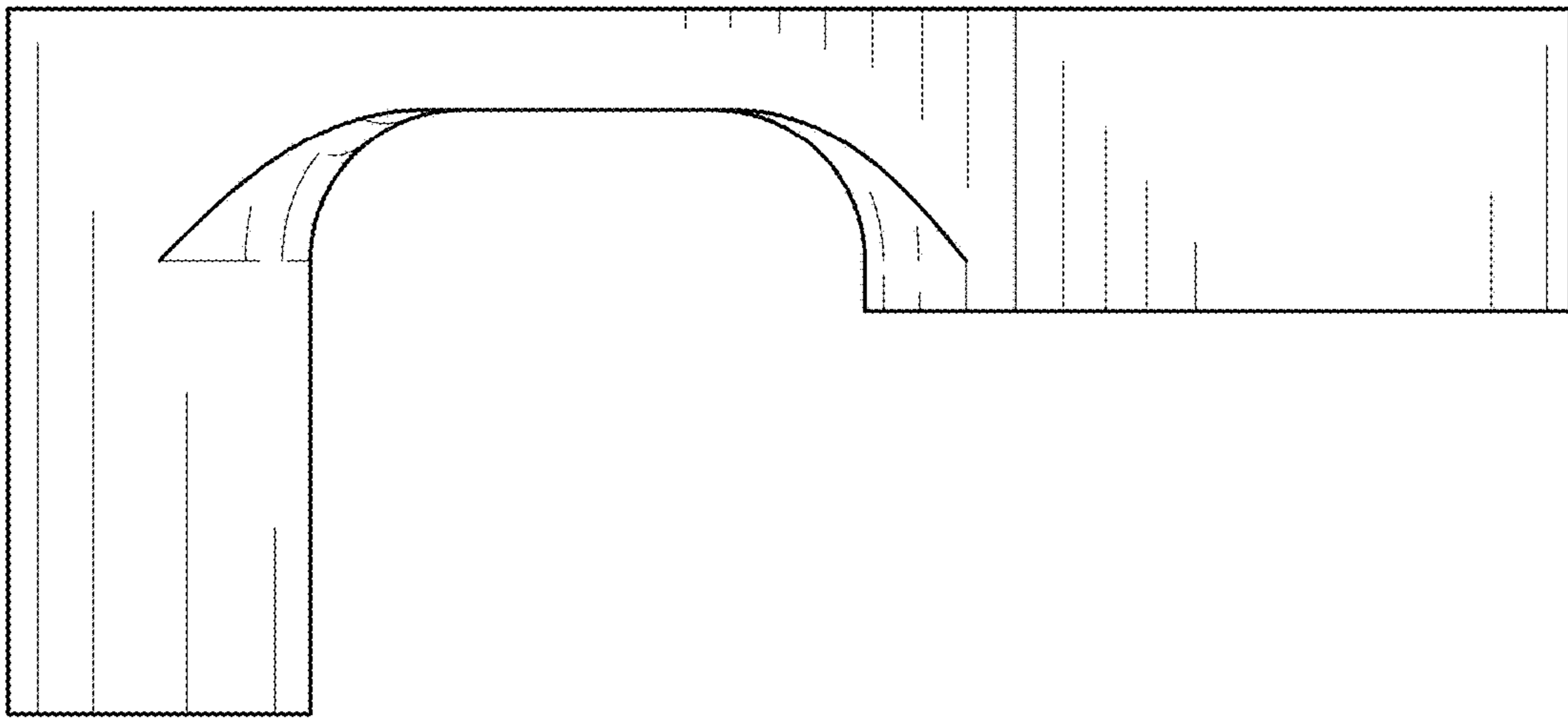


FIG. 2

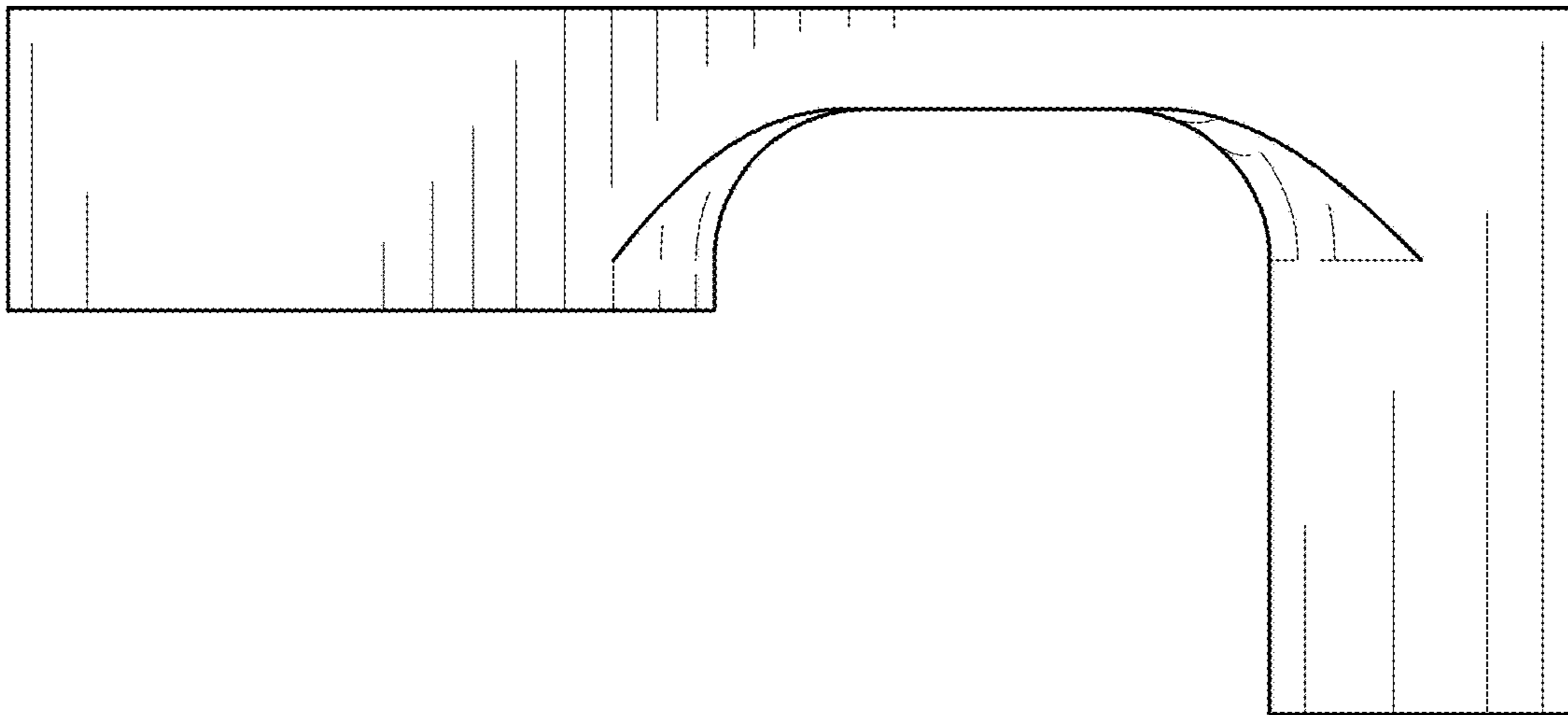


FIG. 3

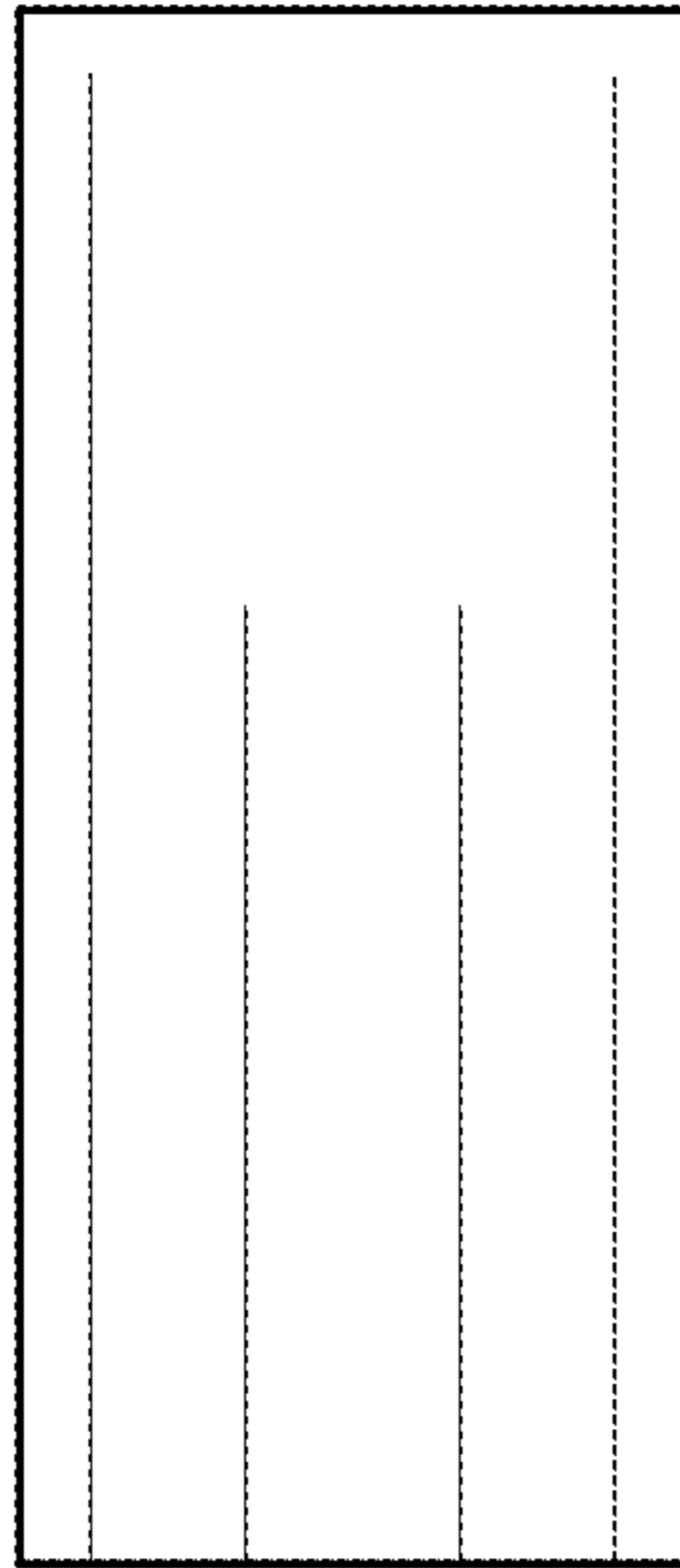


FIG. 4

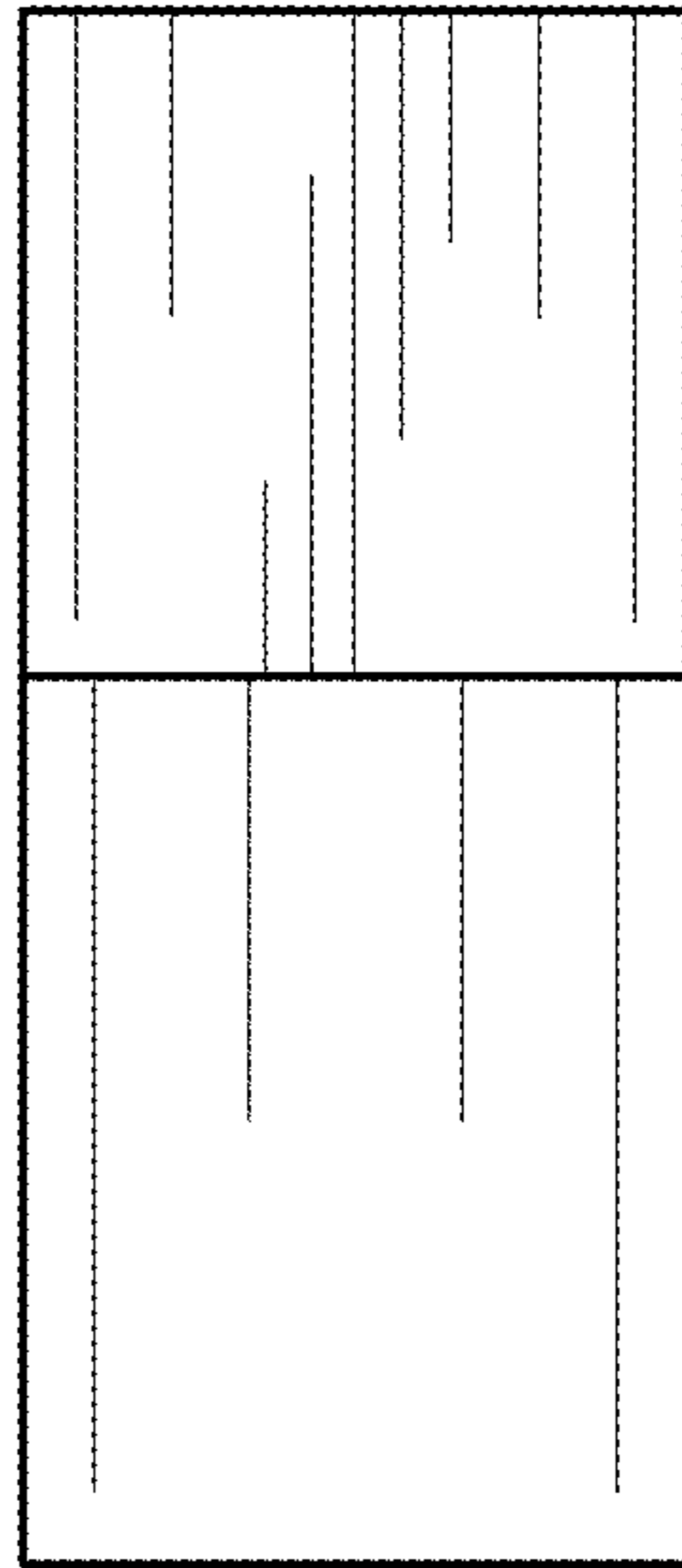


FIG. 5

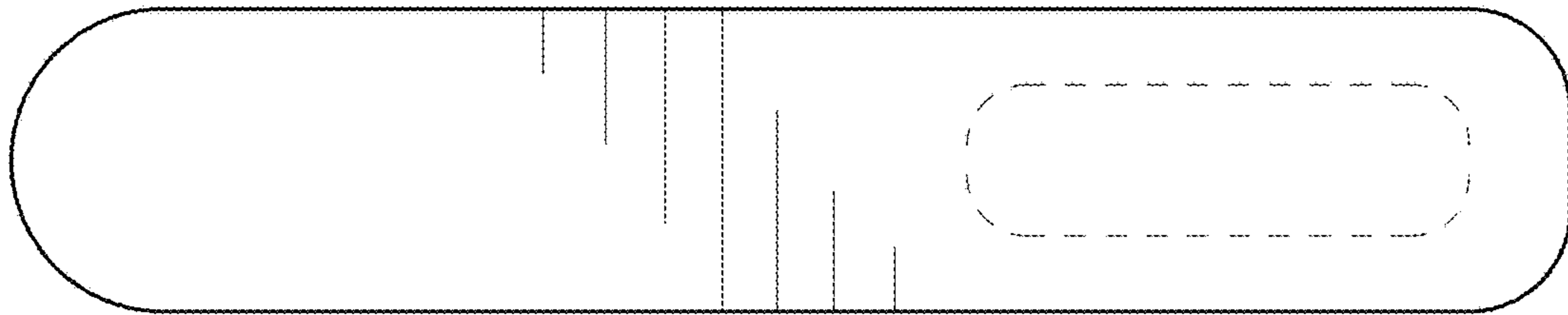


FIG. 6

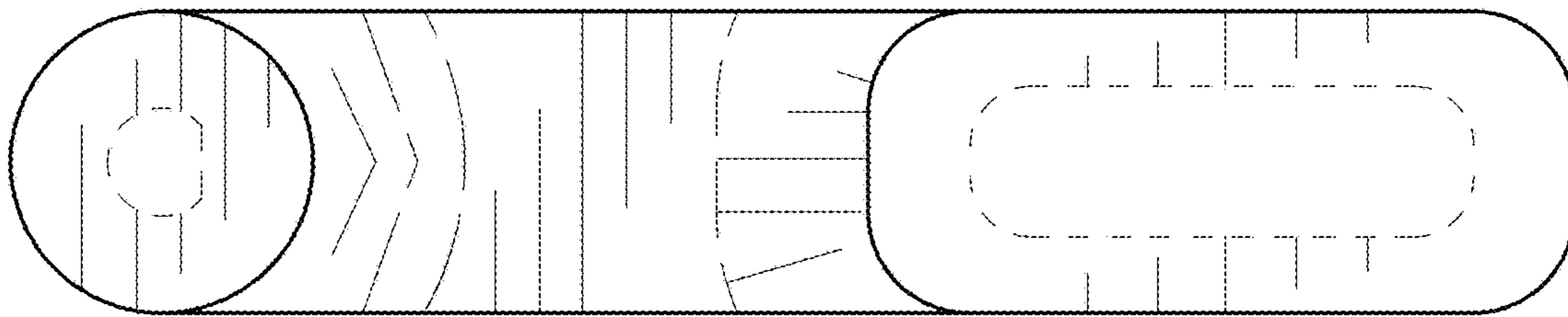


FIG. 7