



US00D806618S

(12) **United States Design Patent**
Lesnik et al.

(10) **Patent No.:** **US D806,618 S**
(45) **Date of Patent:** **** Jan. 2, 2018**

(54) **FRONT BUMPER FOR A VEHICLE**

(71) Applicant: **Daimler AG**, Stuttgart (DE)

(72) Inventors: **Robert Lesnik**, Leonberg (DE);
Gorden Wagener, Gaeufelden (DE)

(73) Assignee: **Daimler AG**, Stuttgart (DE)

(**) Term: **15 Years**

(21) Appl. No.: **29/574,864**

(22) Filed: **Aug. 19, 2016**

(30) **Foreign Application Priority Data**

Feb. 24, 2016 (WO) DM/091083

(51) **LOC (11) Cl.** **12-16**

(52) **U.S. Cl.**
USPC **D12/169**

(58) **Field of Classification Search**
USPC D12/169, 216, 90-92, 86, 171, 196, 163;
293/102, 113, 115, 117, 120; 296/180.1,
296/180.2
CPC B60R 19/02; B60R 19/04; B62D 25/08
See application file for complete search history.

(56) **References Cited**

U.S. PATENT DOCUMENTS

D686,119 S * 7/2013 Futschik D12/169
D688,992 S * 9/2013 Hildebrand D12/169

D690,628 S * 10/2013 Minamisawa D12/169
D691,526 S * 10/2013 Uchino D12/169
D702,161 S * 4/2014 Hanaoka D12/169
D711,796 S * 8/2014 Futschik D12/169
D724,503 S * 3/2015 Hall D12/169
D730,791 S * 6/2015 Hammoud D12/169
D731,369 S * 6/2015 Duff D12/169
D745,837 S * 12/2015 Smith D12/169
D750,000 S * 2/2016 Han D12/169
D750,538 S * 3/2016 Buck D12/169
D758,260 S 6/2016 Lesnik et al.

* cited by examiner

Primary Examiner — Melody N Brown

(74) *Attorney, Agent, or Firm* — Crowell & Moring LLP

(57) **CLAIM**

The ornamental design for a front bumper for a vehicle, as shown and described.

DESCRIPTION

This application contains subject matter related to the following co-pending U.S. design patent application: Application Ser. No. 29/574,863, filed Aug. 19, 2016 and entitled "Vehicle, Toy, and/or Replicas Thereof."

FIG. 1 is a right, front perspective view of a front bumper for a vehicle according to the design;

FIG. 2 is a top view thereof;

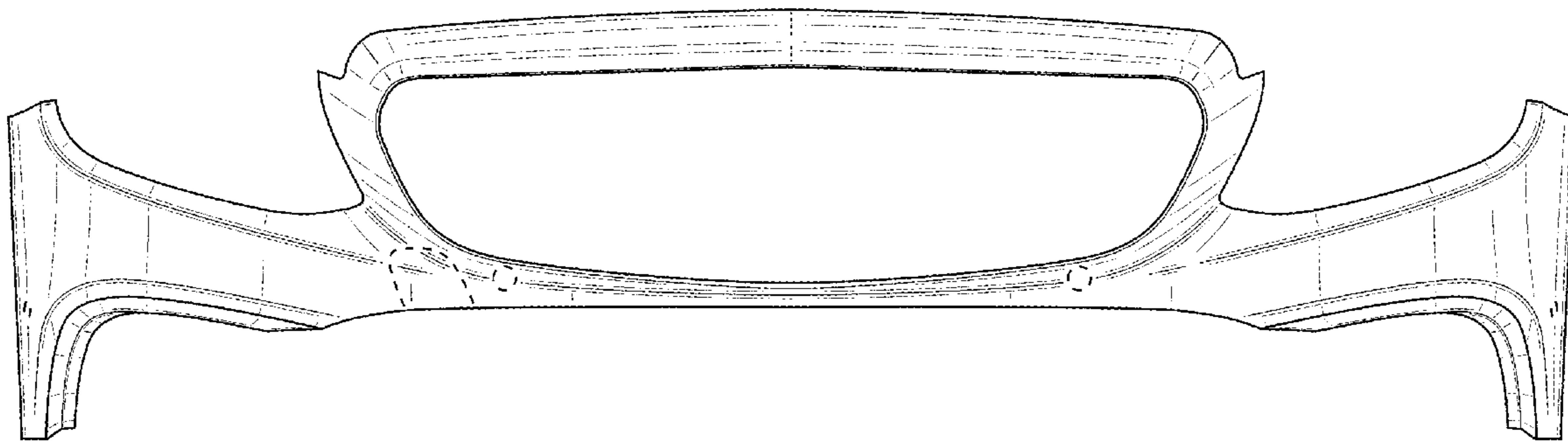
FIG. 3 is a front view thereof;

FIG. 4 is a left side view thereof; and,

FIG. 5 is a right side view thereof.

The broken lines are for illustrative purposes only and form no part of the claimed design.

1 Claim, 4 Drawing Sheets



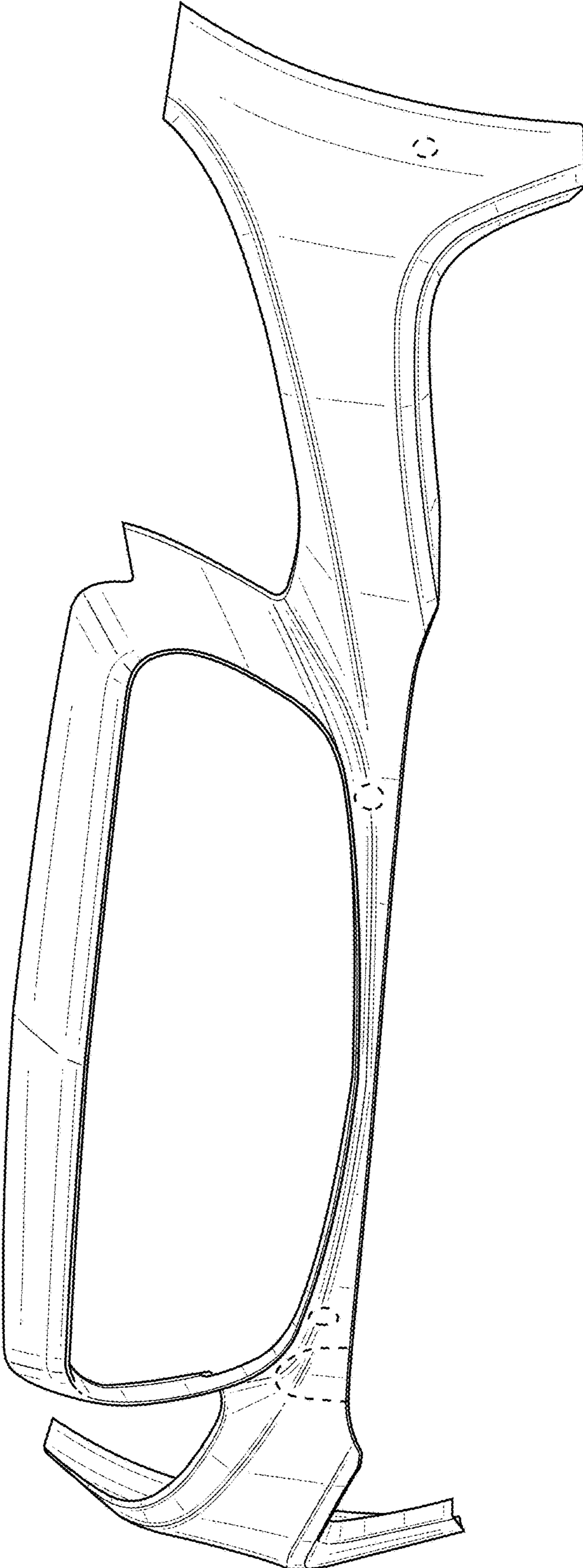


FIG. 1

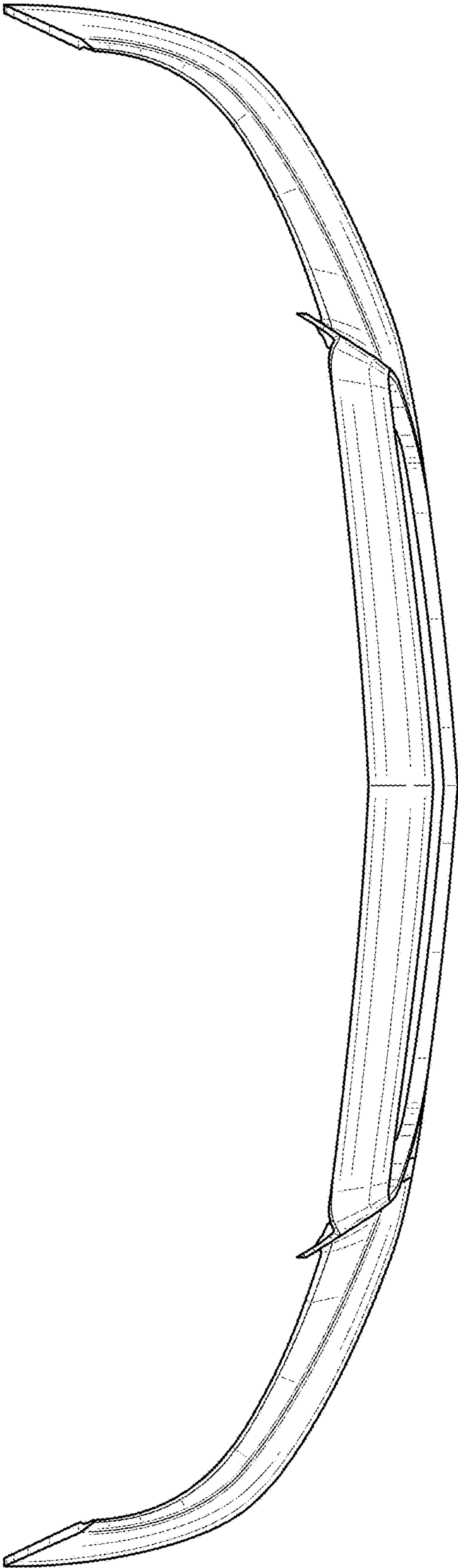


FIG. 2

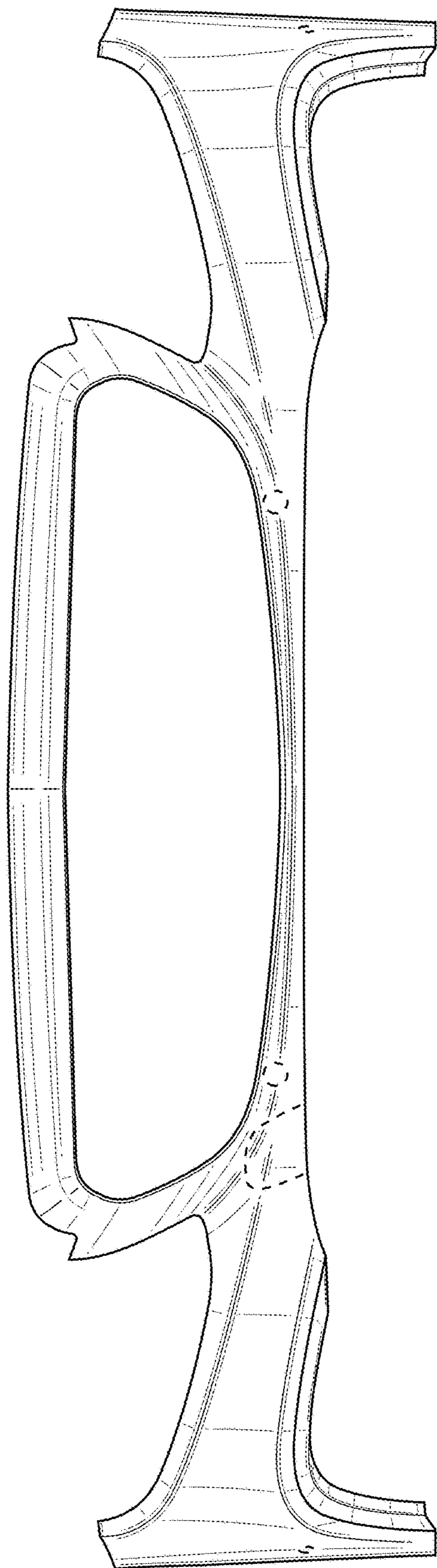


FIG. 3

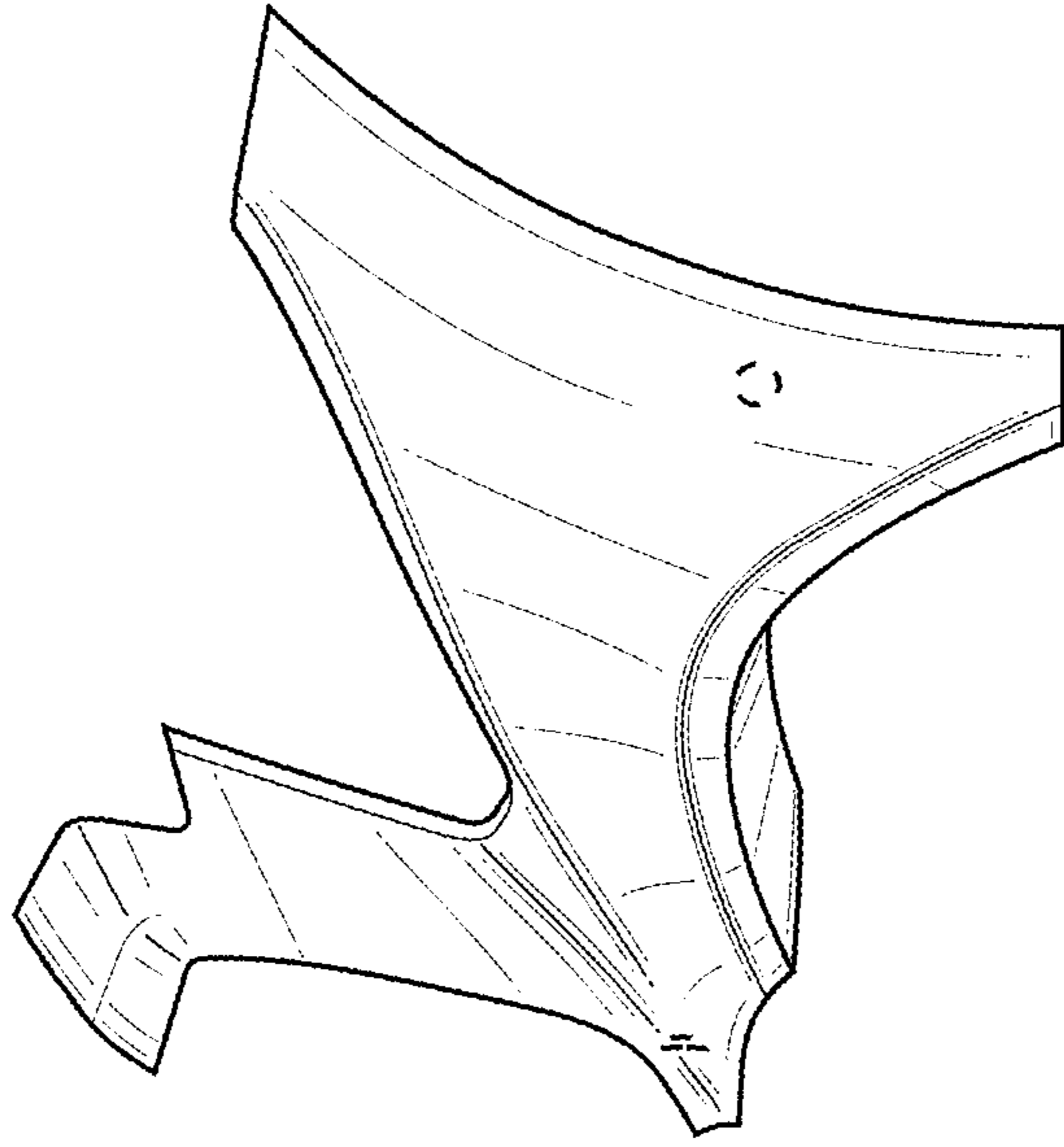


FIG. 4

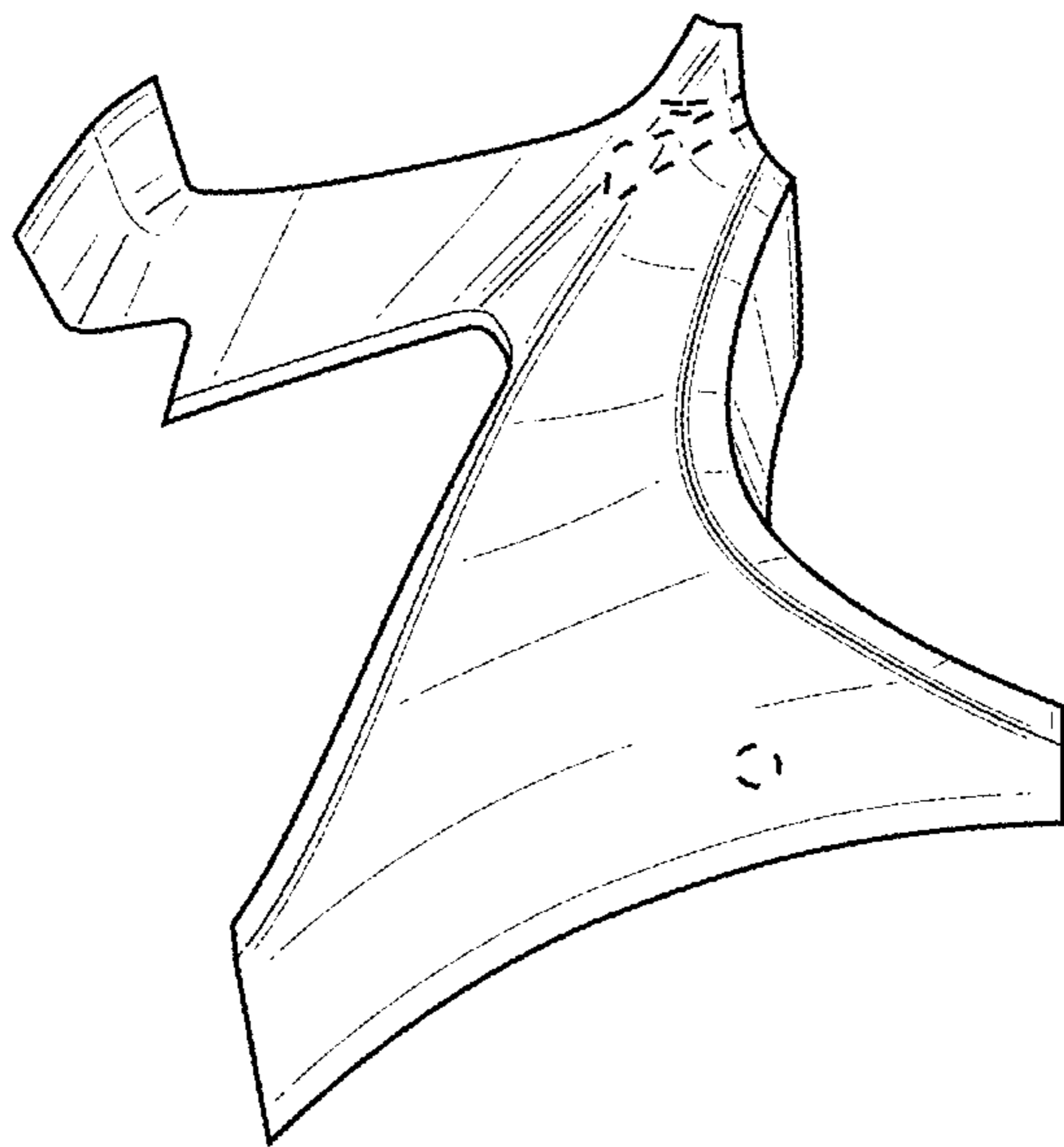


FIG. 5