



US00D806613S

(12) **United States Design Patent** (10) **Patent No.:** **US D806,613 S**
Yaffe (45) **Date of Patent:** **** Jan. 2, 2018**

(54) **MOTORCYCLE FAIRING ADJUSTMENT MEMBER**

(71) Applicant: **Paul Yaffe**, Phoenix, AZ (US)

(72) Inventor: **Paul Yaffe**, Phoenix, AZ (US)

(**) Term: **15 Years**

(21) Appl. No.: **29/532,858**

(22) Filed: **Jul. 10, 2015**

(51) **LOC (11) Cl.** **12-11**

(52) **U.S. Cl.**
USPC **D12/114**

(58) **Field of Classification Search**
USPC D12/114, 115, 117, 118, 120, 126, 223,
D12/400, 402, 409, 415, 317, 159, 160
(Continued)

(56) **References Cited**

U.S. PATENT DOCUMENTS

D308,042 S * 5/1990 Kitner D12/316
D481,351 S * 10/2003 Brooks D12/409
(Continued)

Primary Examiner — George D. Kirschbaum
Assistant Examiner — Clese Moore, Jr.
(74) *Attorney, Agent, or Firm* — Ice Miller LLP

(57) **CLAIM**

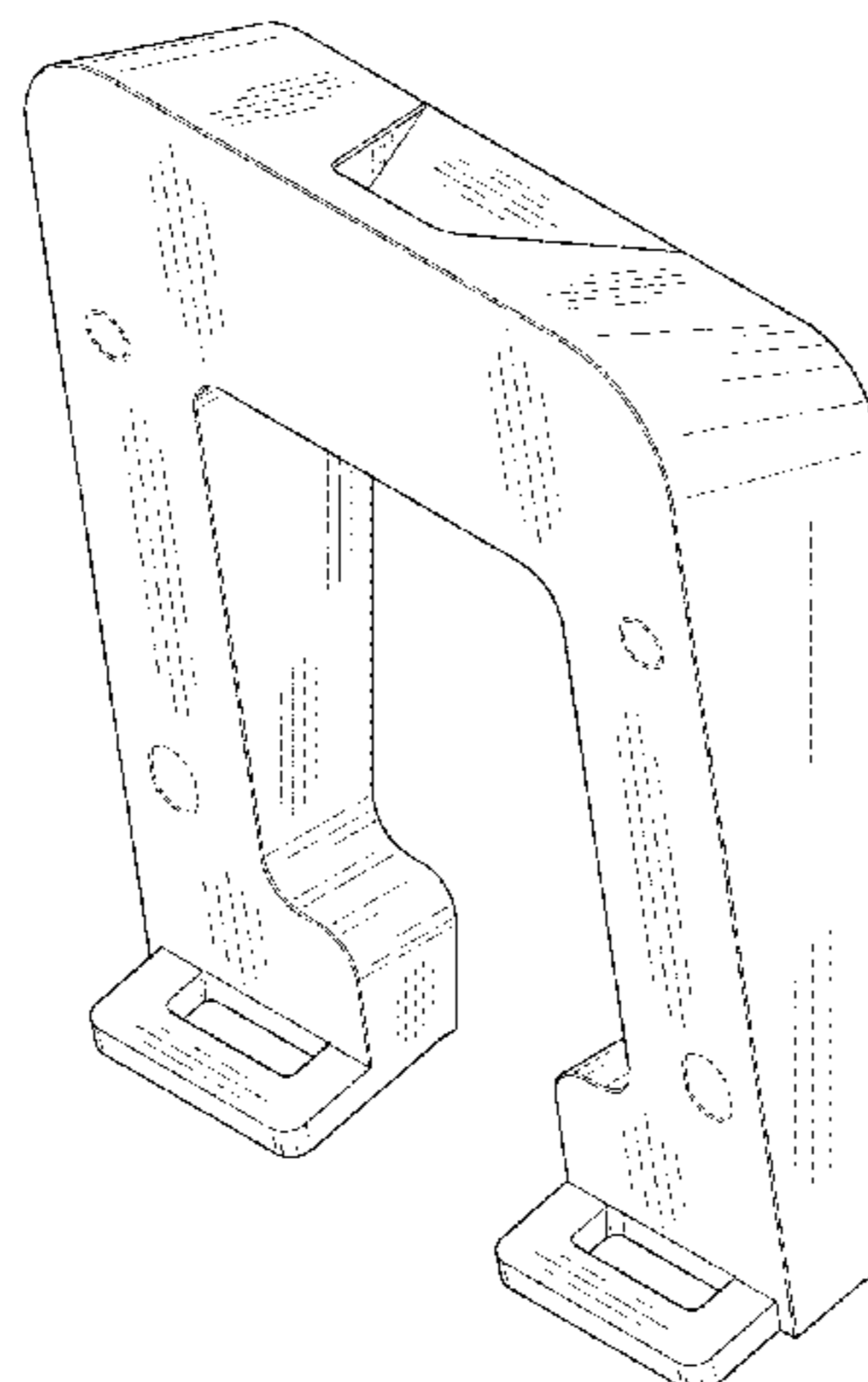
The ornamental design for a motorcycle fairing adjustment member, as shown and described.

DESCRIPTION

FIG. 1 is a front perspective view of a motorcycle fairing adjustment member bearing the claimed design;
FIG. 2 is a front elevation view of a motorcycle fairing adjustment member bearing the claimed design;
FIG. 3 is a rear elevation view of a motorcycle fairing adjustment member bearing the claimed design;

FIG. 4 is a left side elevation view of a motorcycle fairing adjustment member bearing the claimed design;
FIG. 5 is a right side elevation view of a motorcycle fairing adjustment member bearing the claimed design;
FIG. 6 is a top plan view of a motorcycle fairing adjustment member bearing the claimed design;
FIG. 7 is a bottom plan view of a motorcycle fairing adjustment member bearing the claimed design;
FIG. 8 is a right side elevation view of a motorcycle fairing adjustment member bearing the claimed design;
FIG. 9 is a front perspective view of another embodiment of a motorcycle fairing adjustment member bearing the claimed design;
FIG. 10 is a front elevation view of the motorcycle fairing adjustment member of FIG. 9;
FIG. 11 is a rear elevation view of the motorcycle fairing adjustment member of FIG. 9;
FIG. 12 is a left side elevation view of the motorcycle fairing adjustment member of FIG. 9;
FIG. 13 is a right side elevation view of the motorcycle fairing adjustment member of FIG. 9;
FIG. 14 is a top plan view of the motorcycle fairing adjustment member of FIG. 9;
FIG. 15 is a bottom plan view of the motorcycle fairing adjustment member of FIG. 9;
FIG. 16 is a front perspective view of another embodiment of a motorcycle fairing adjustment member bearing the claimed design;
FIG. 17 is a front elevation view of the motorcycle fairing adjustment member of FIG. 16;
FIG. 18 is a rear elevation view of the motorcycle fairing adjustment member of FIG. 16;
FIG. 19 is a left side elevation view of the motorcycle fairing adjustment member of FIG. 16;
FIG. 20 is a right side elevation view of the motorcycle fairing adjustment member of FIG. 16;
FIG. 21 is a top plan view of the motorcycle fairing adjustment member of FIG. 16;
FIG. 22 is a bottom plan view of the motorcycle fairing adjustment member of FIG. 16; and,
FIG. 23 is a right side elevation view of the motorcycle fairing adjustment member of FIG. 16.

(Continued)



The broken line showing of parts of the drawings is included for the purpose of illustrating use and environment and forms no part of the claimed design.

1 Claim, 17 Drawing Sheets

(58) **Field of Classification Search**

CPC ... B62J 17/04; B62J 9/001; B62J 9/003; B62J 9/00; B62J 11/00

See application file for complete search history.

(56) **References Cited**

U.S. PATENT DOCUMENTS

D506,708 S *	6/2005	Conte	D12/118
D509,462 S *	9/2005	Ford	D12/117
D533,497 S *	12/2006	Templeman	D12/317
D571,262 S *	6/2008	Roberson	D12/114
D583,717 S *	12/2008	Brown	D12/117
D599,715 S *	9/2009	Salcedo	D12/118
D624,460 S *	9/2010	Hsu	D12/159
D721,321 S *	1/2015	Miedema, II	D12/317
D728,444 S *	5/2015	Corn	D12/317
D731,367 S *	6/2015	Miller	D12/159
D731,368 S *	6/2015	Miller	D12/159
D742,804 S *	11/2015	Kim	D12/317
D748,016 S *	1/2016	Wang	D12/114
D748,561 S *	2/2016	Canela	D12/317
D758,951 S *	6/2016	Unterlechner	D12/415
D774,986 S *	12/2016	Salvioli Mariani	D12/118
2017/0008588 A1 *	1/2017	Yaffe	B62J 17/04

* cited by examiner

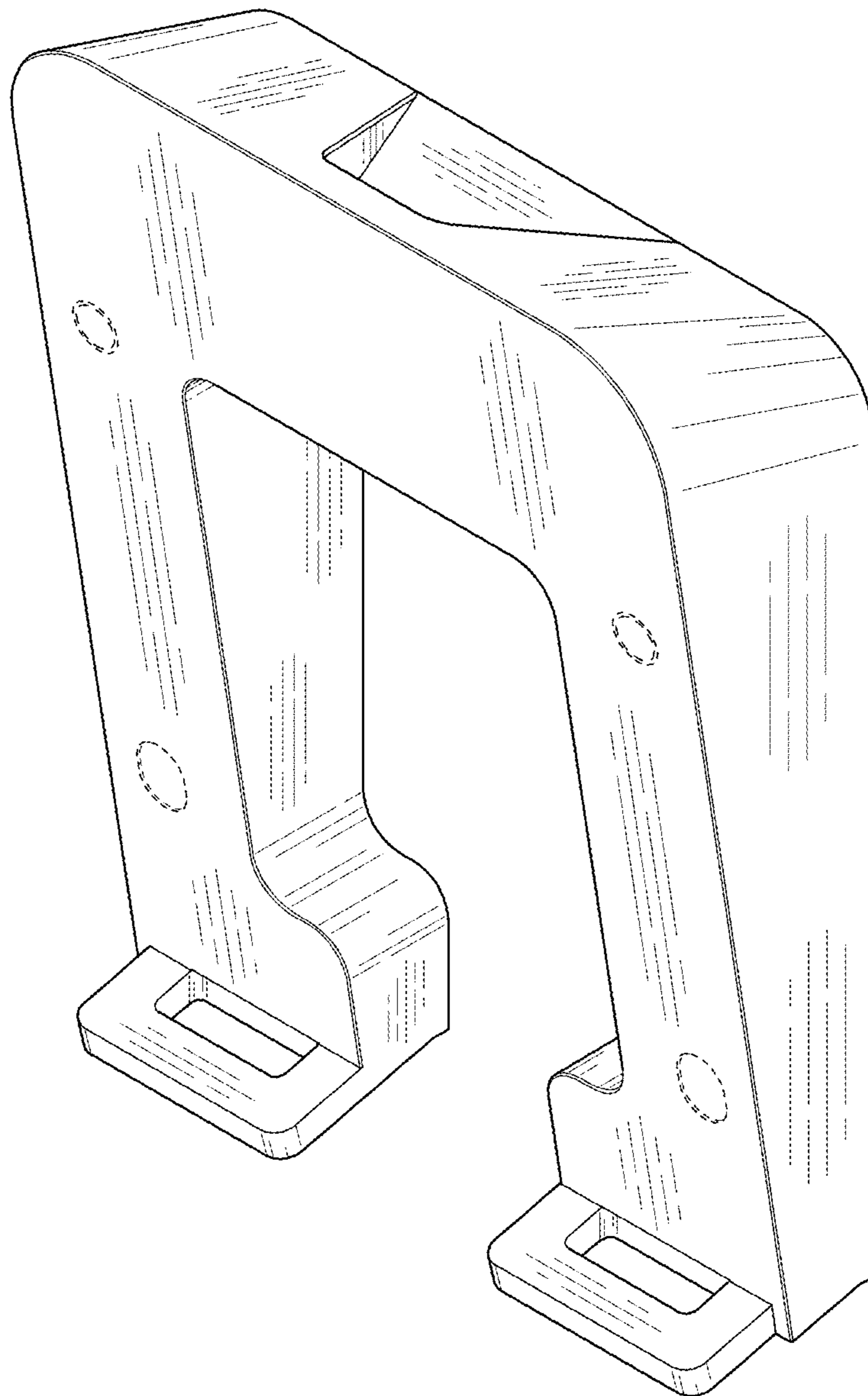


FIG. 1

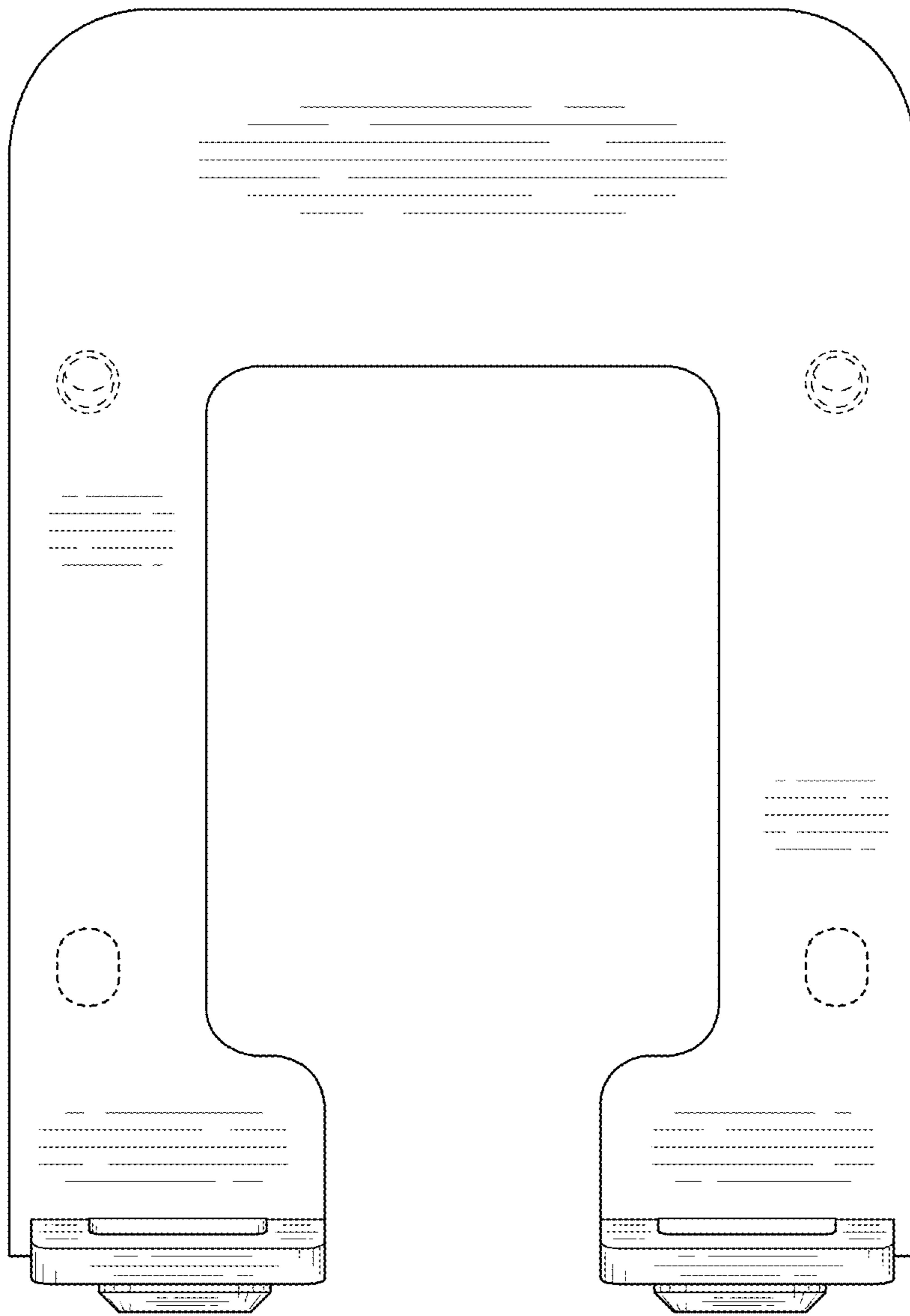


FIG. 2

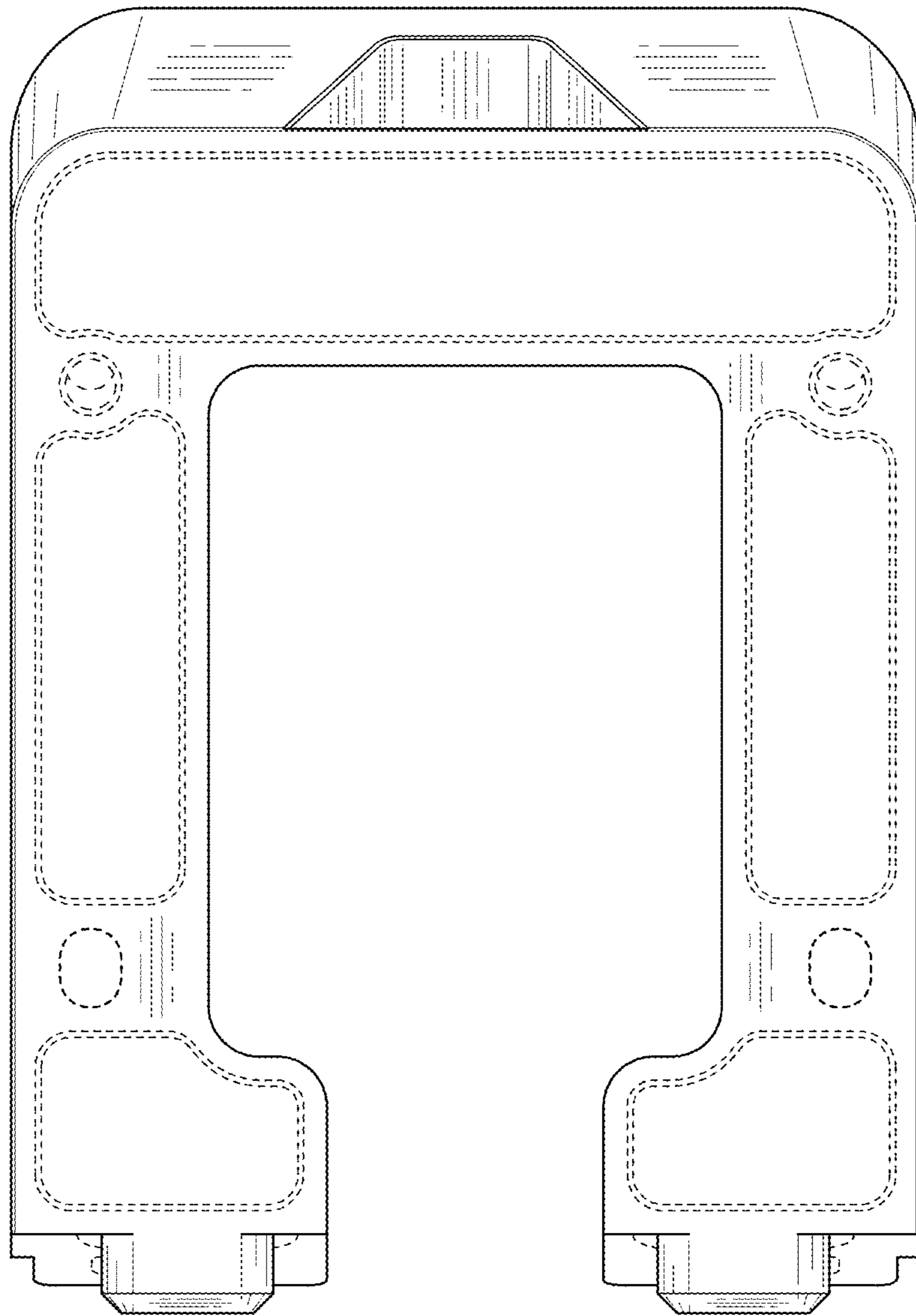


FIG. 3

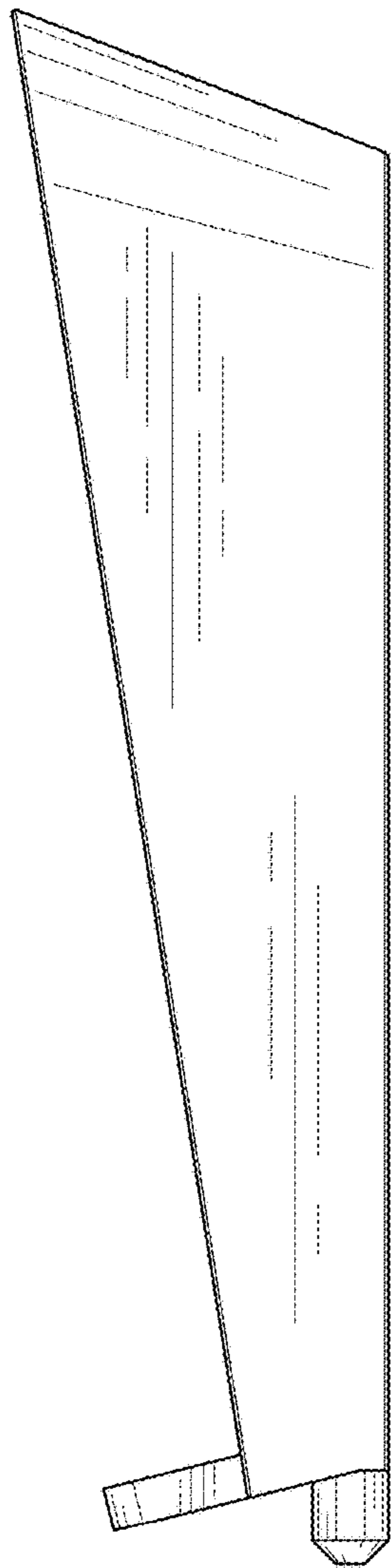


FIG. 4

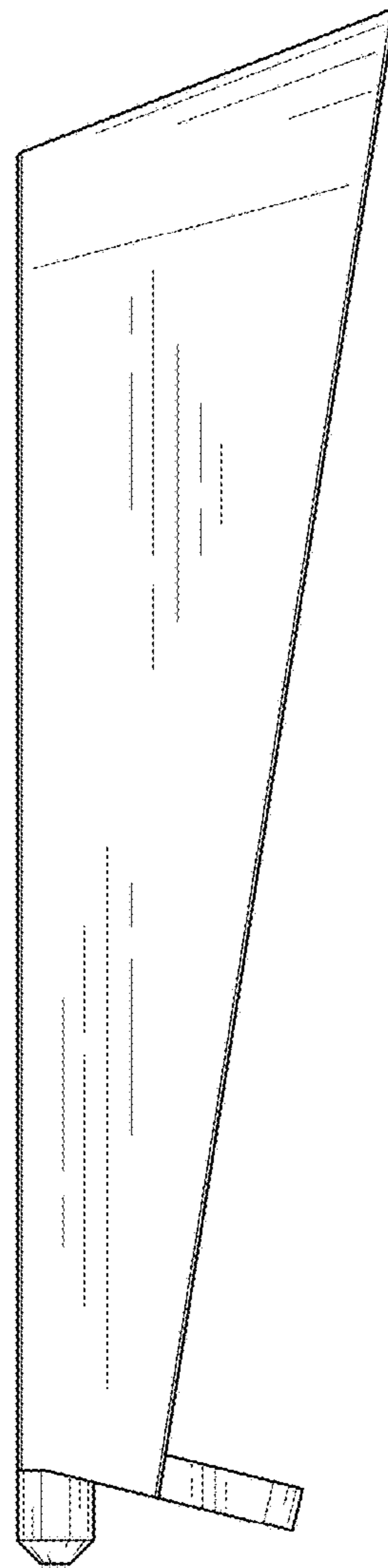


FIG. 5

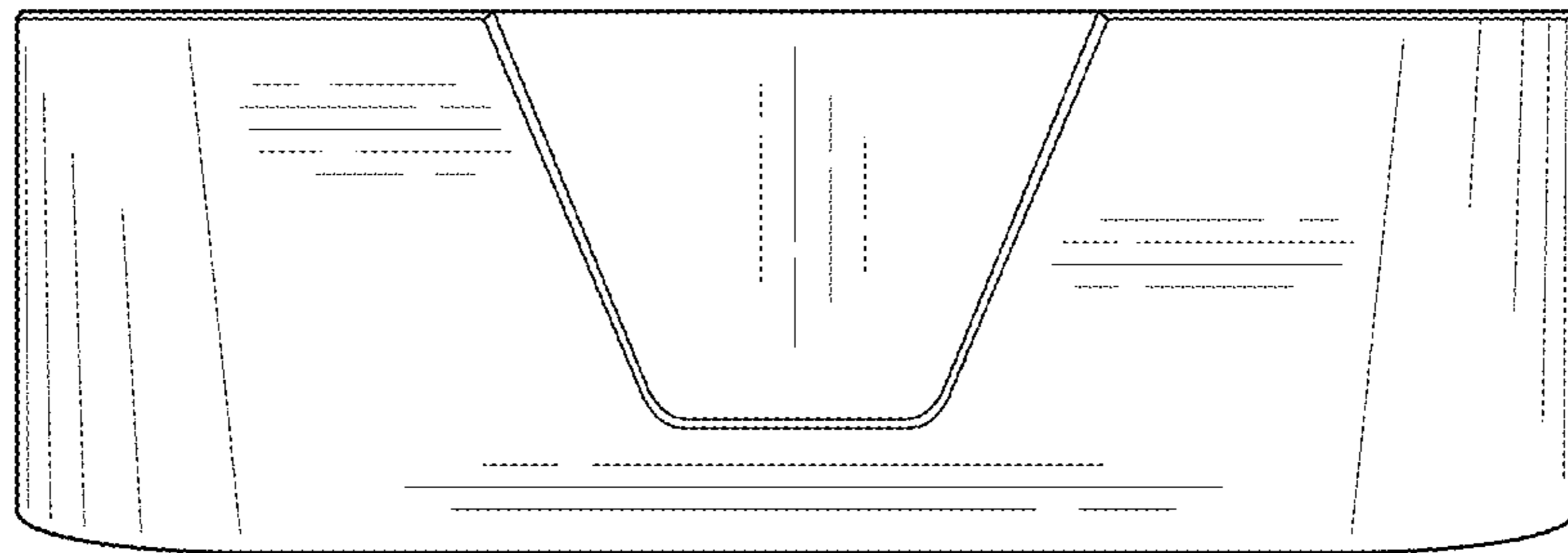


FIG. 6

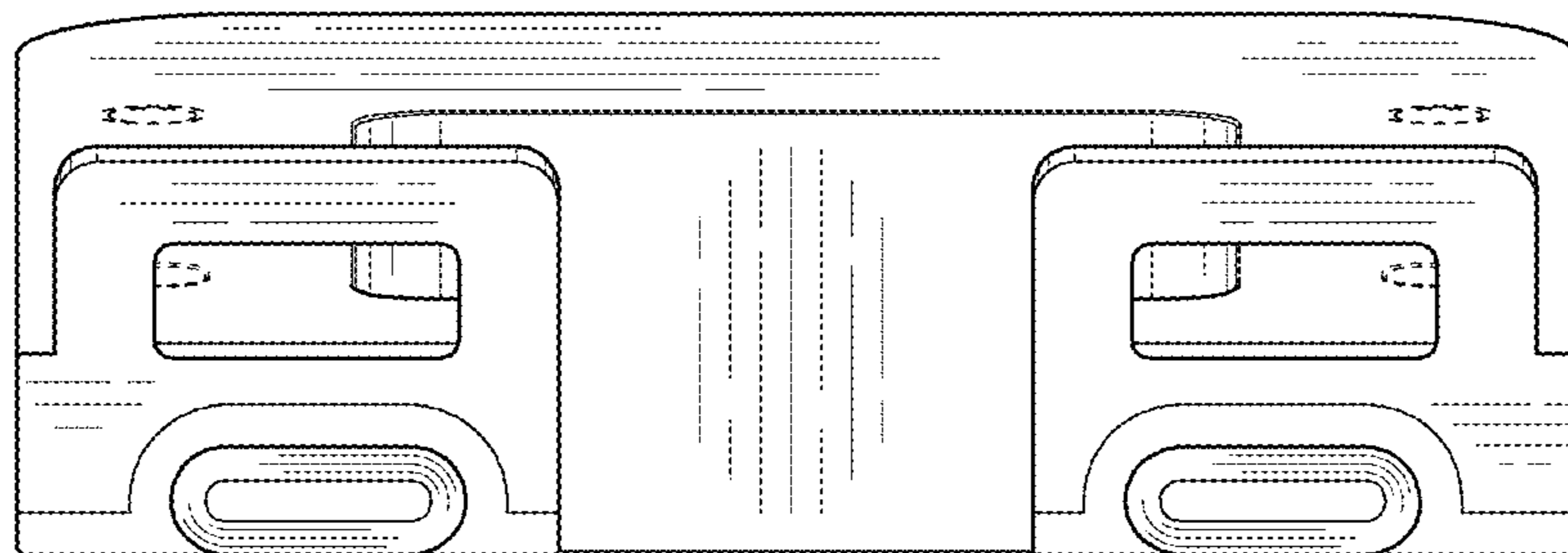


FIG. 7

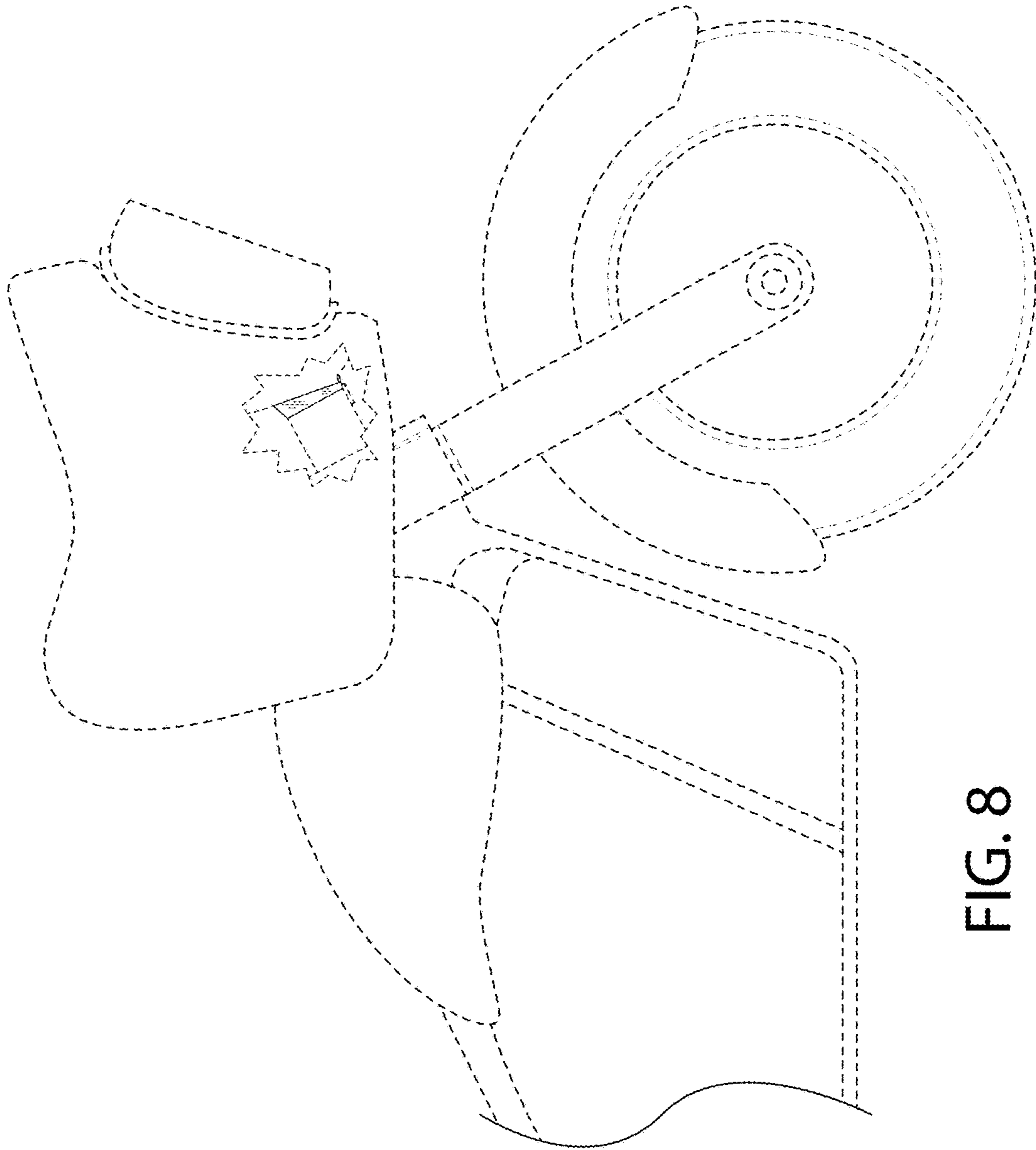


FIG. 8

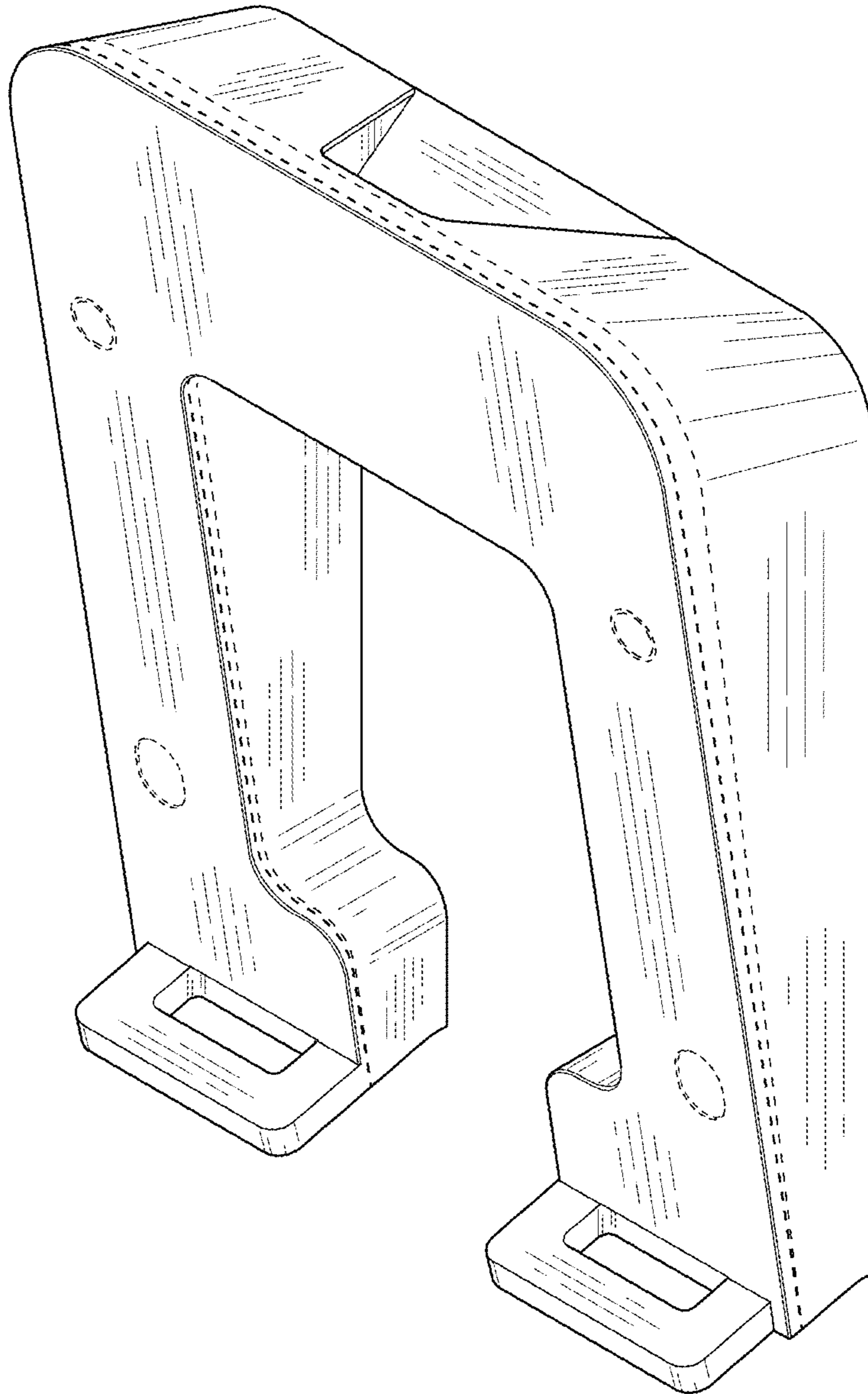


FIG. 9

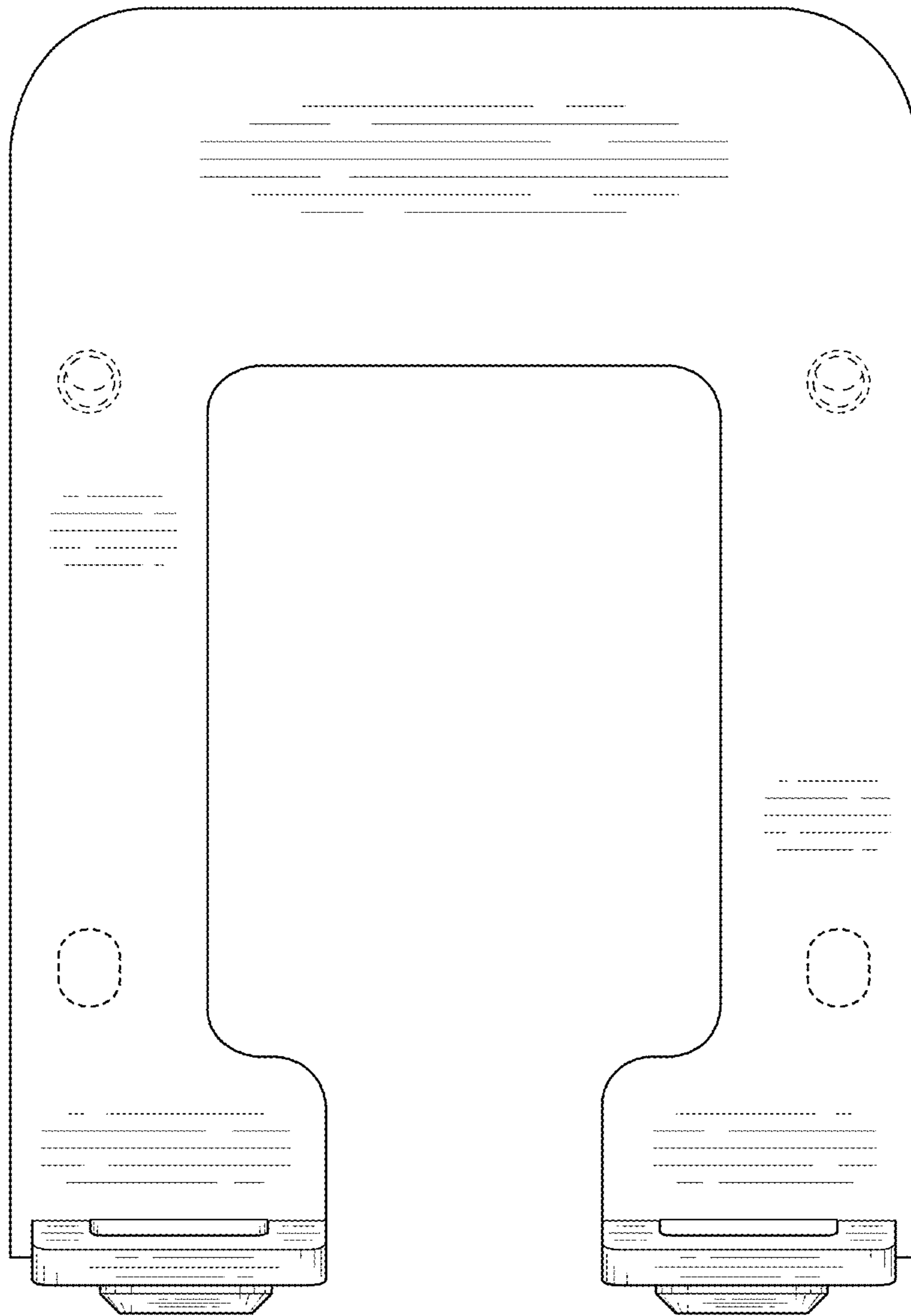


FIG. 10

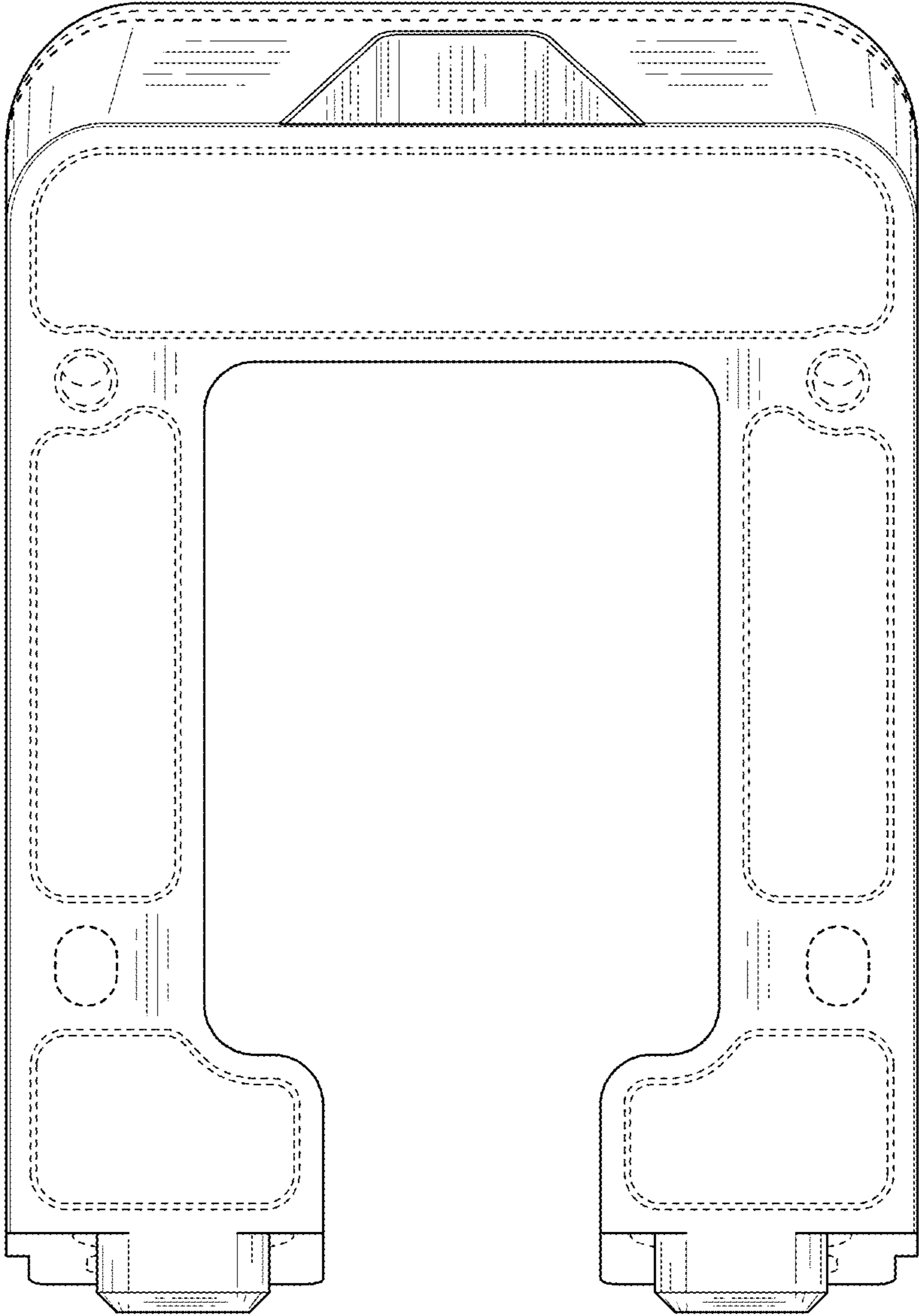


FIG. 11

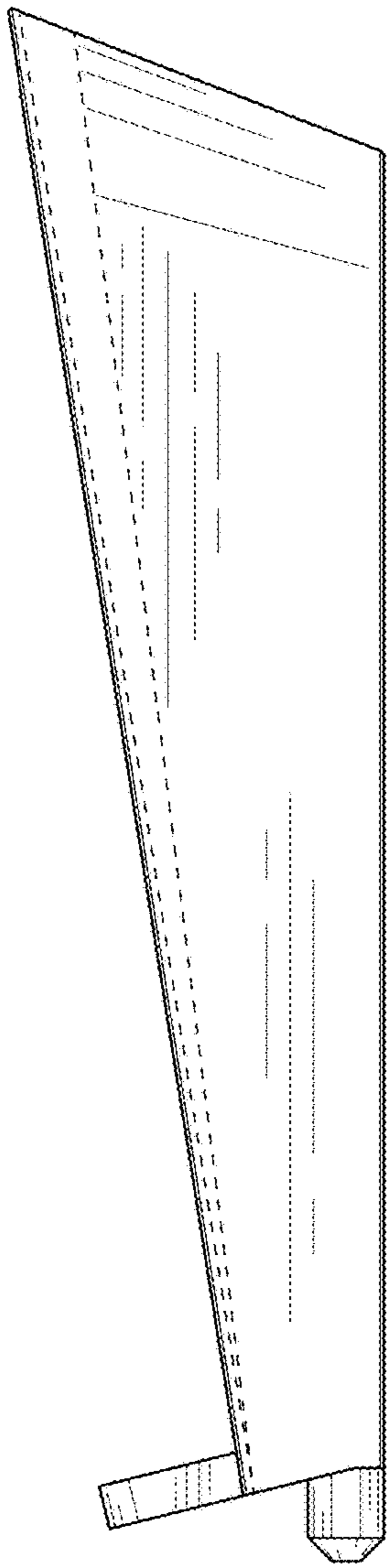


FIG. 12

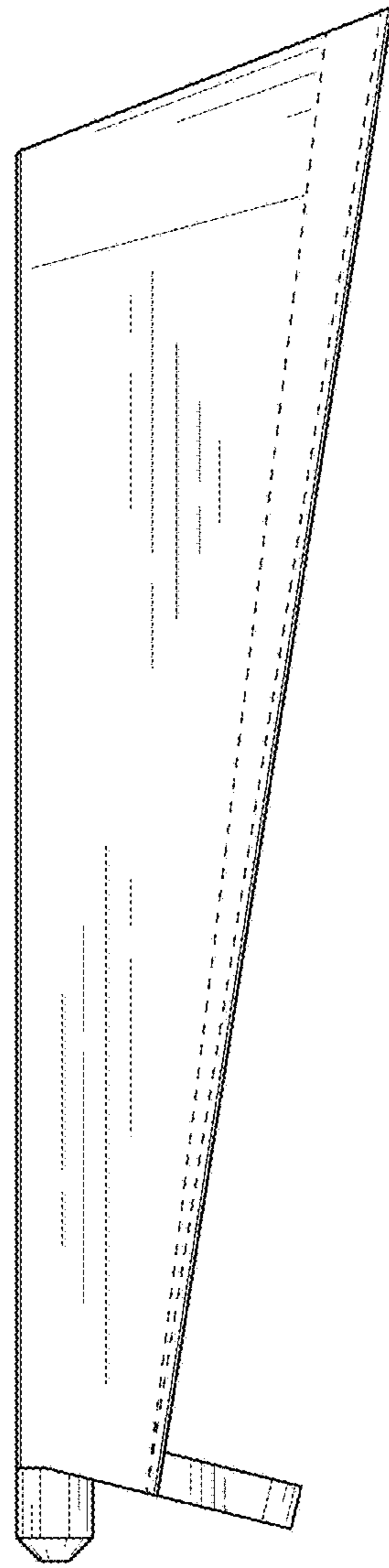


FIG. 13

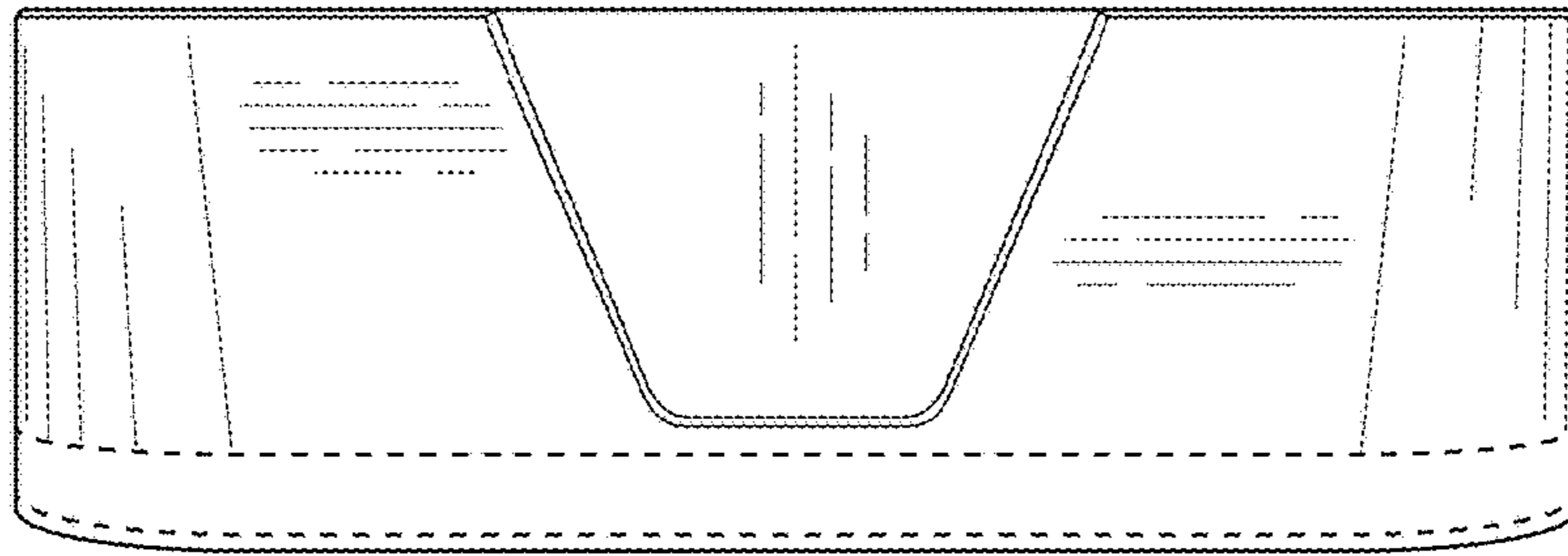


FIG. 14

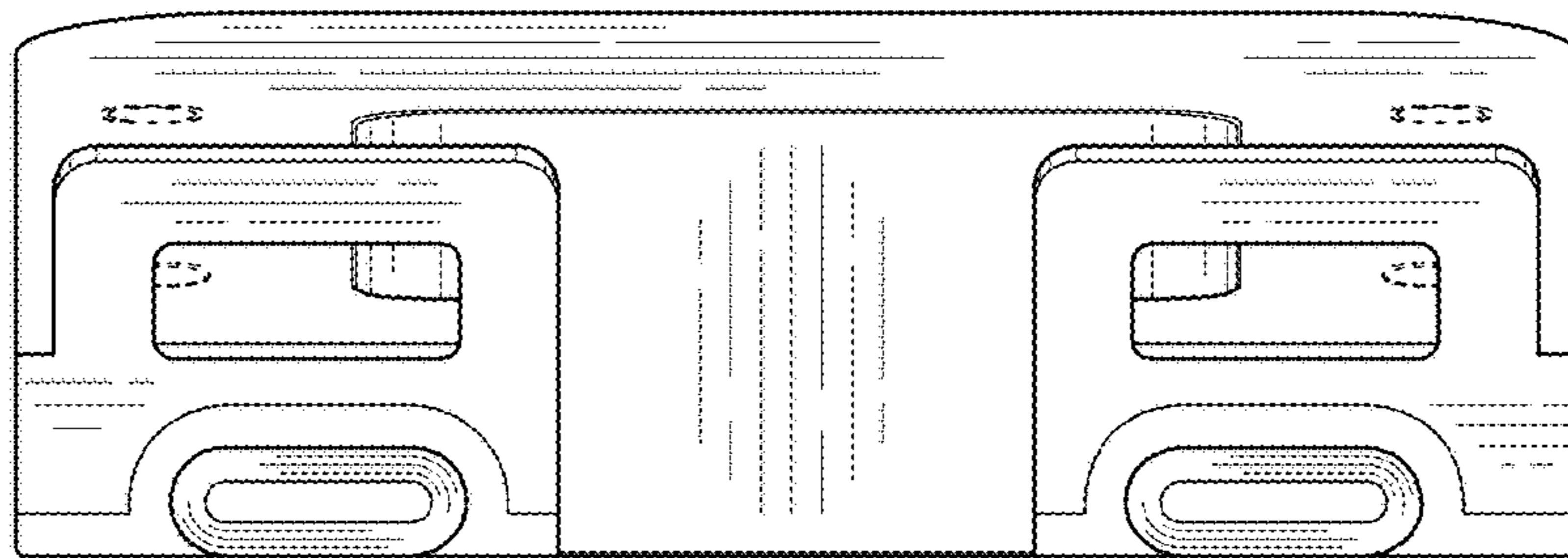


FIG. 15

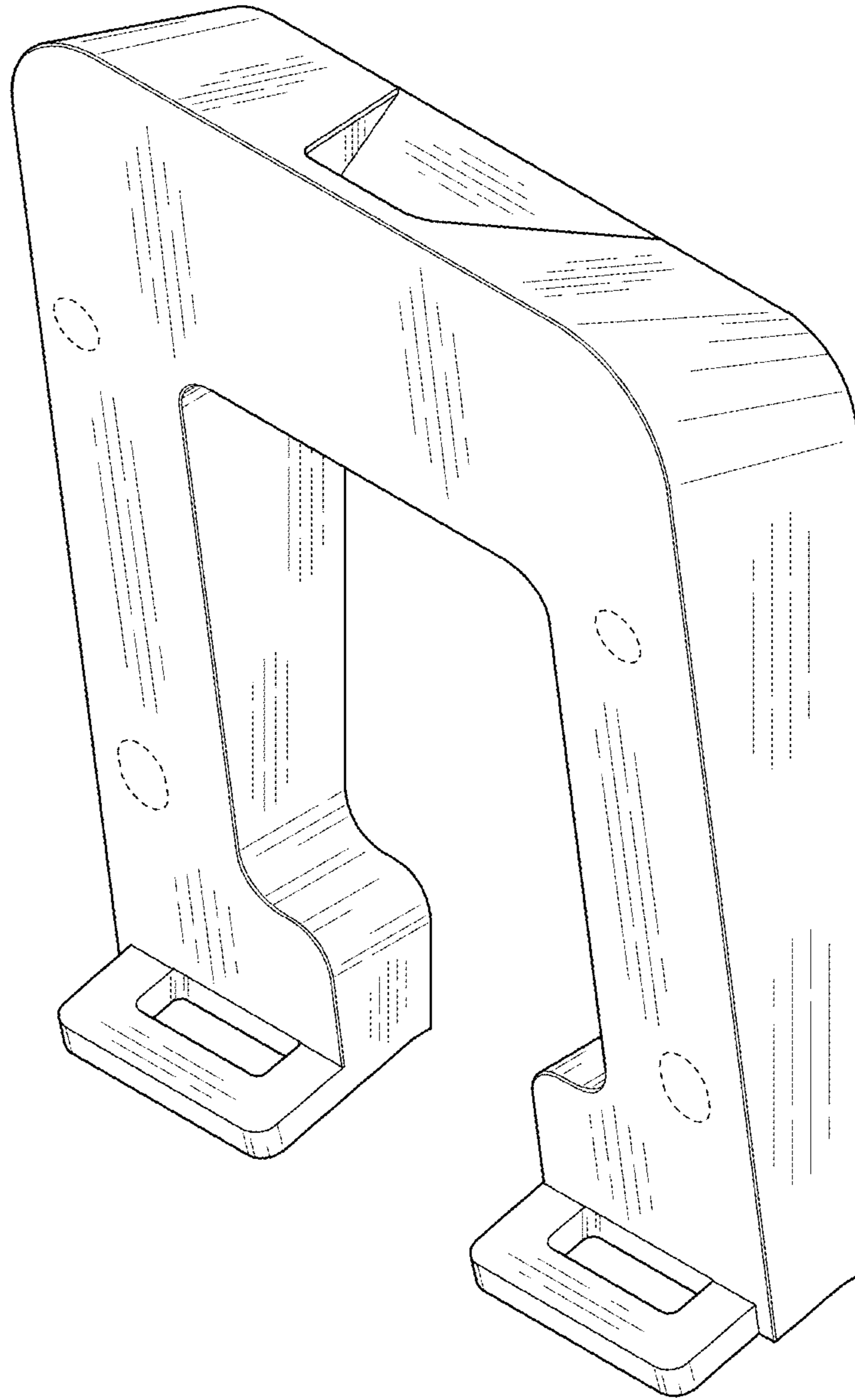


FIG. 16

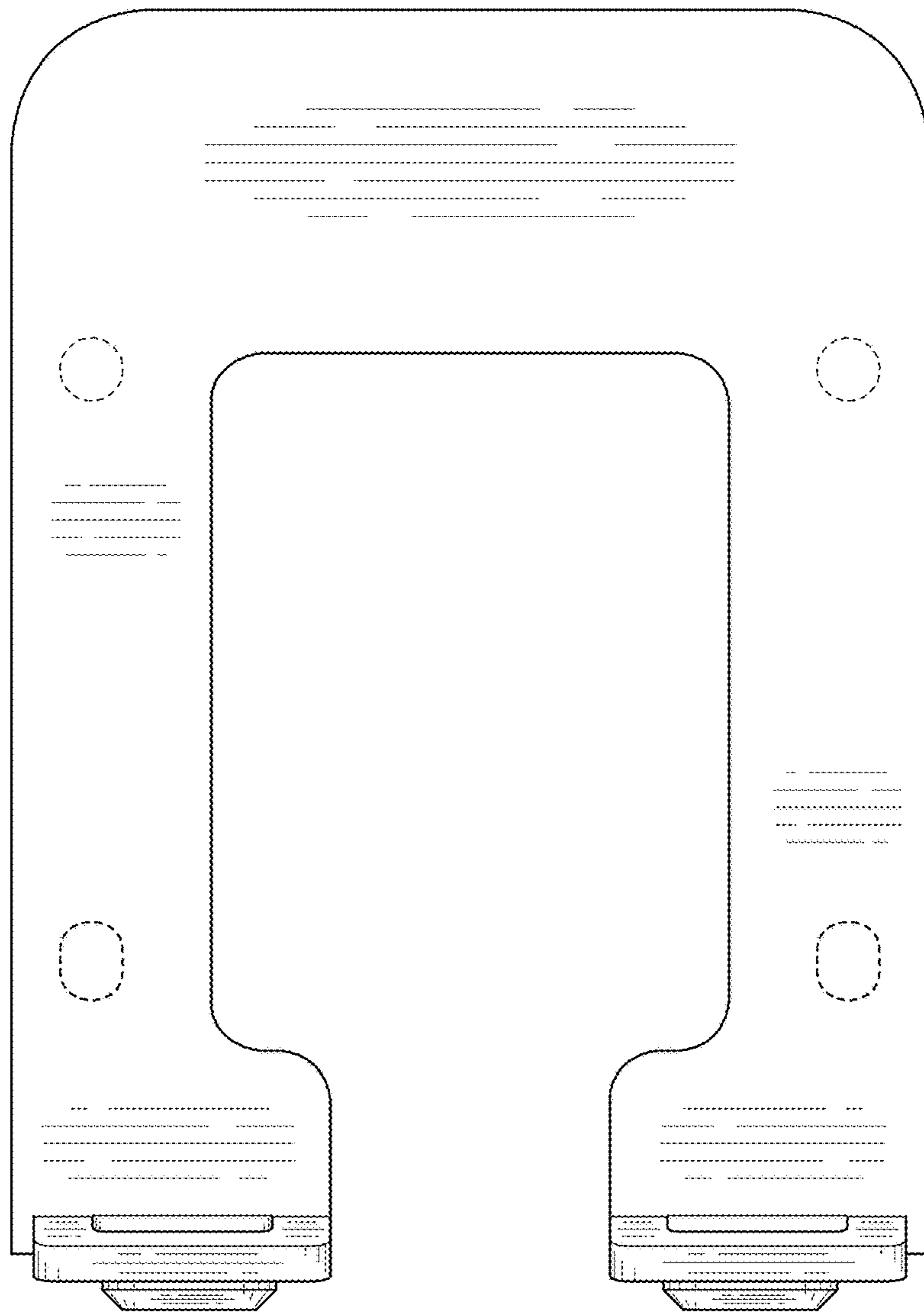


FIG. 17

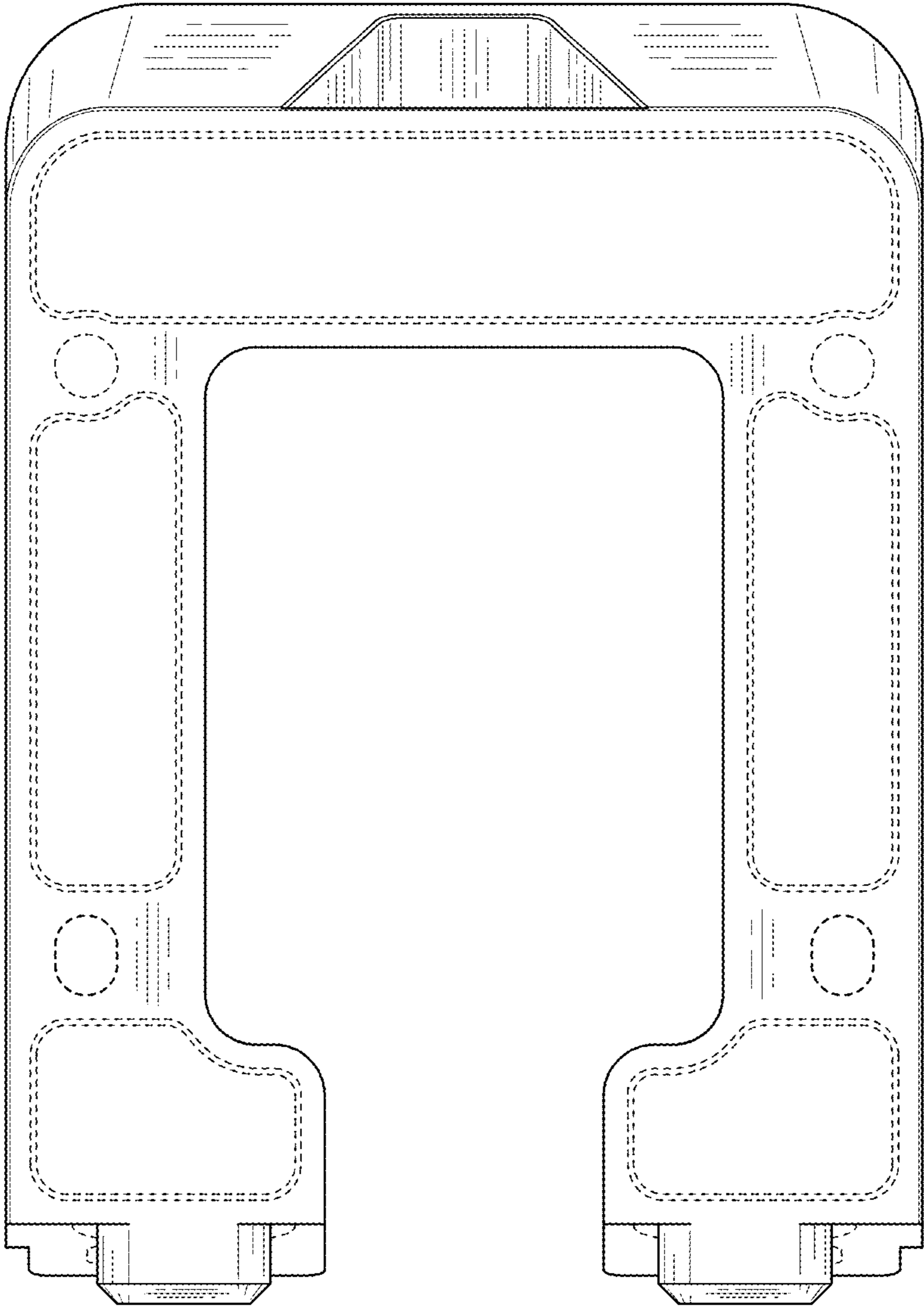


FIG. 18

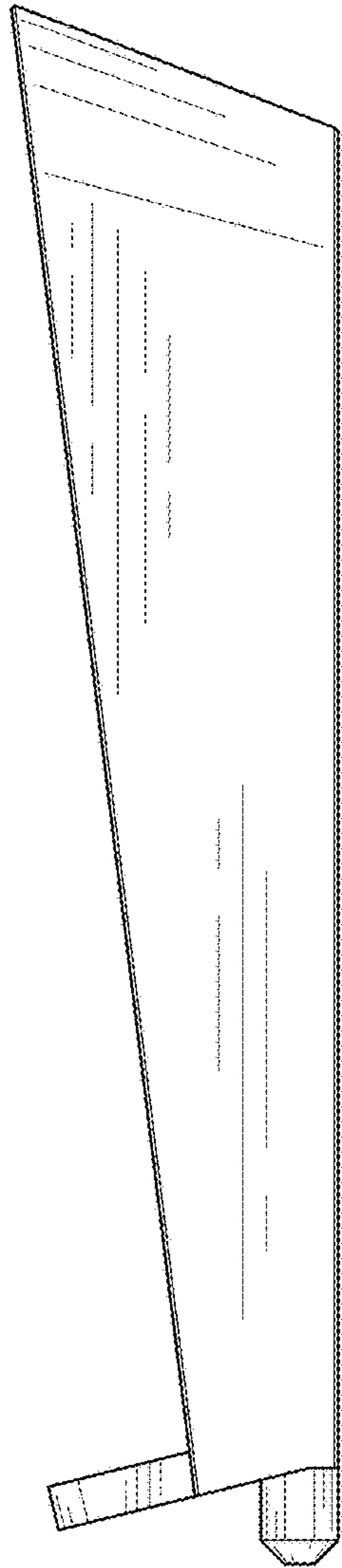


FIG. 19

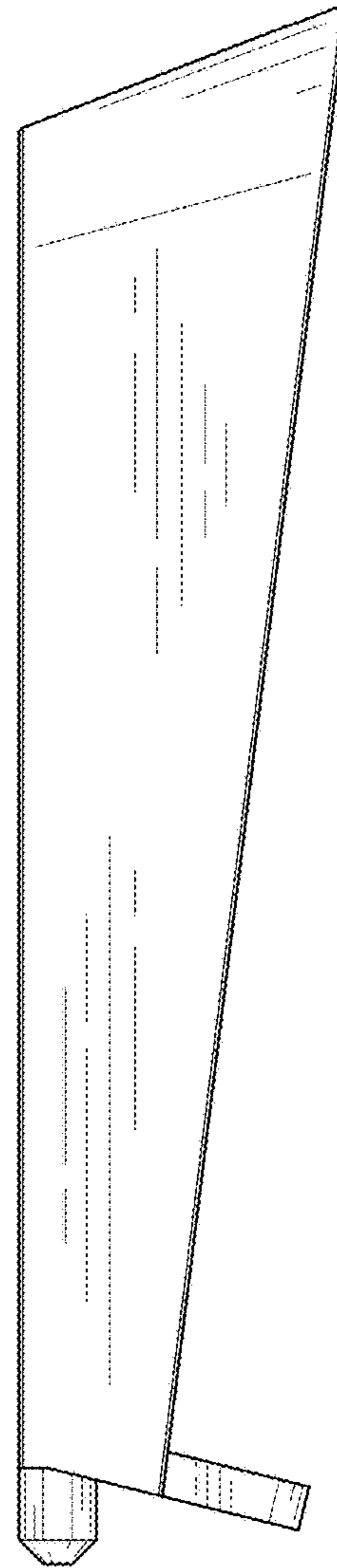


FIG. 20

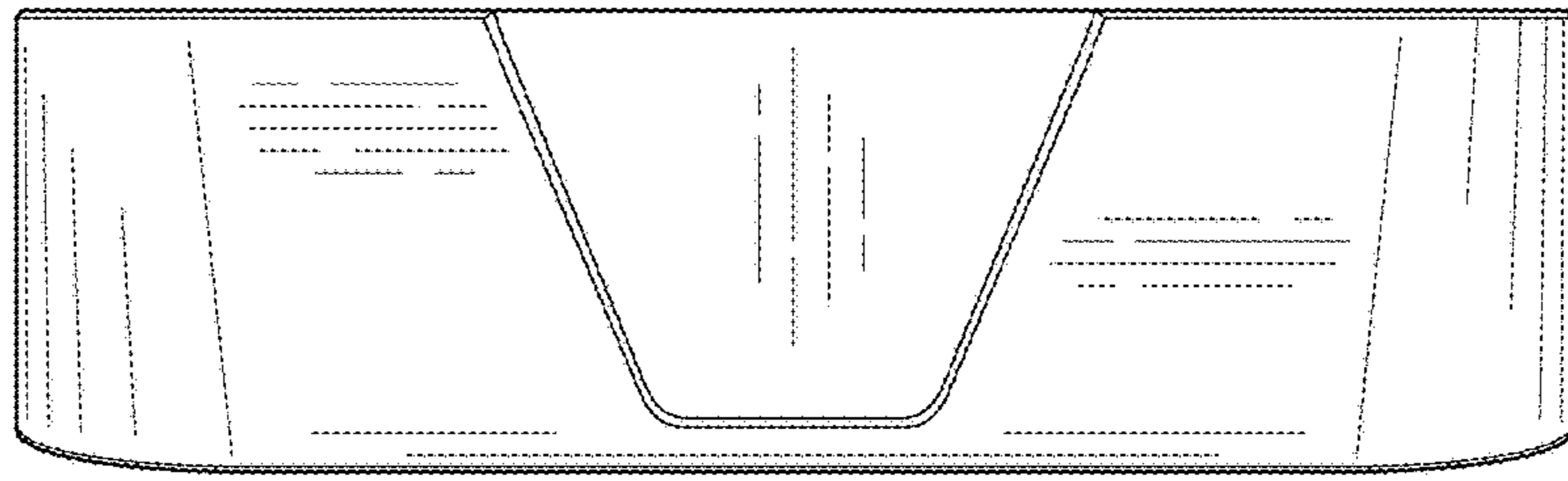


FIG. 21

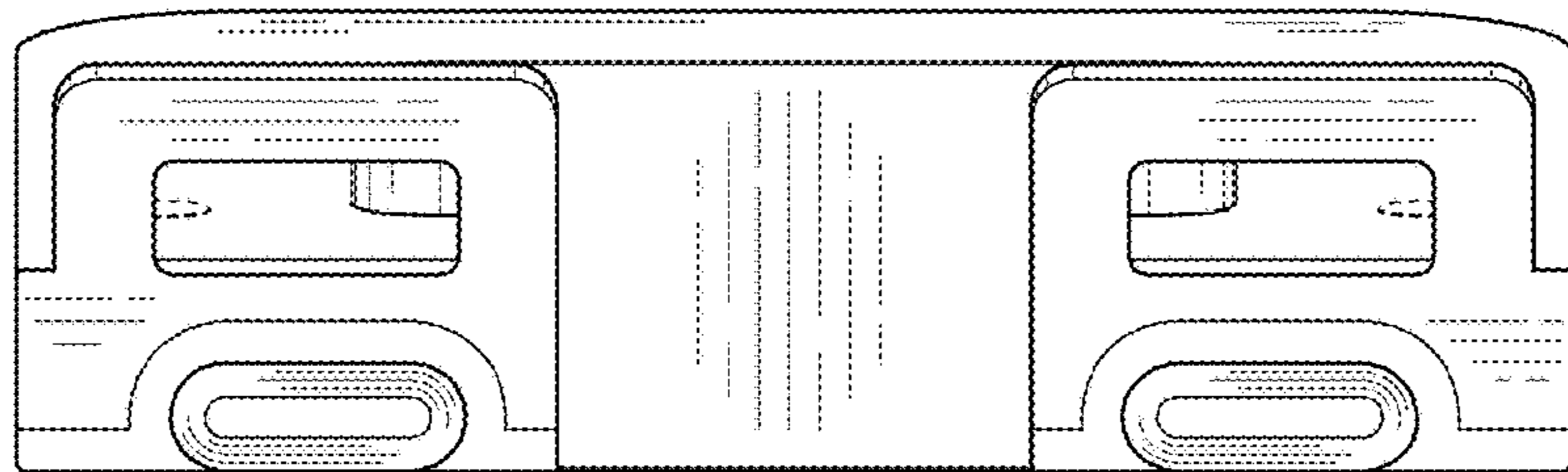


FIG. 22

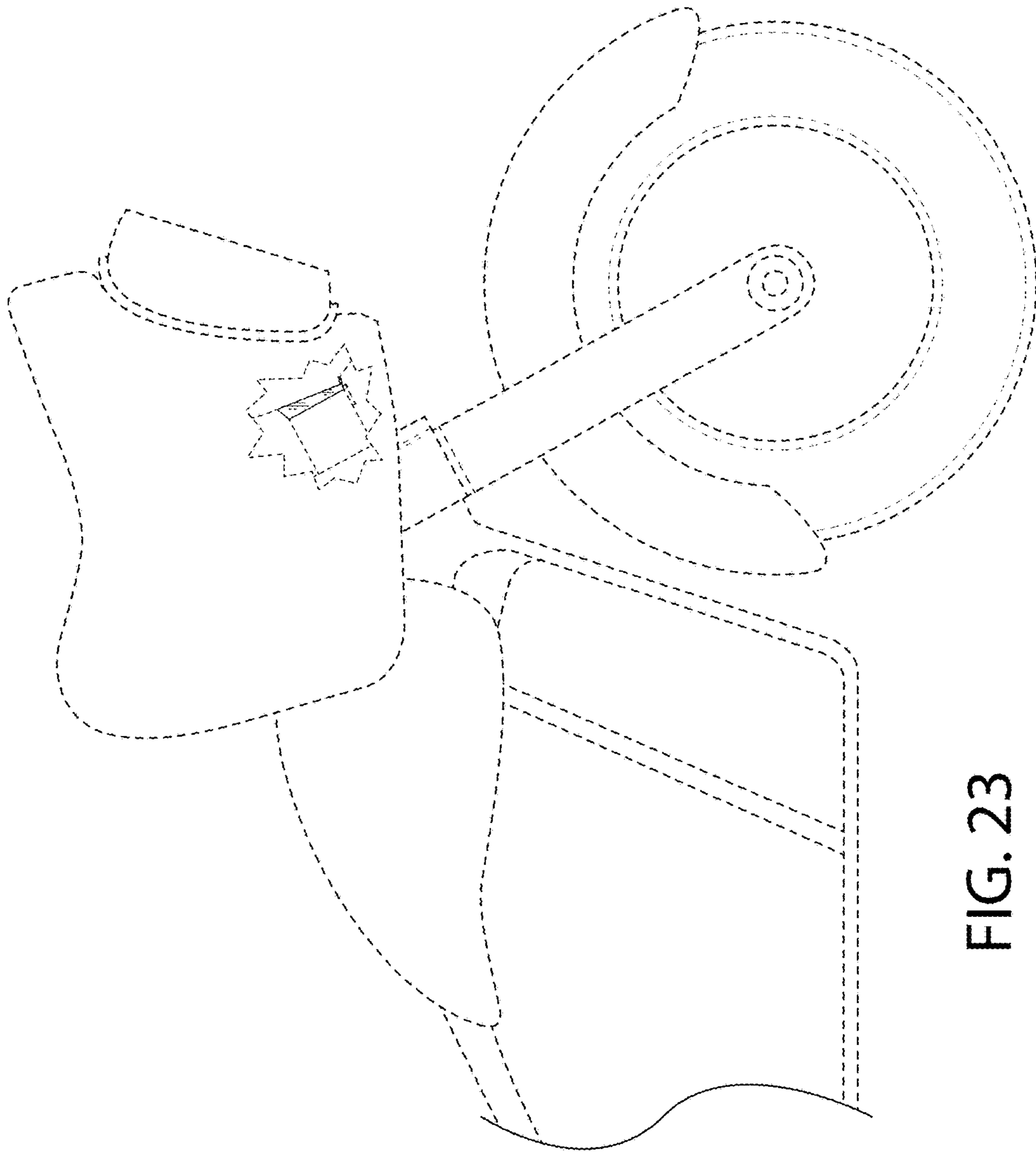


FIG. 23