



US00D806609S

(12) **United States Design Patent**
Lee et al.

(10) **Patent No.:** **US D806,609 S**
(45) **Date of Patent:** **** Jan. 2, 2018**

(54) **MOTOR VEHICLE AND/OR TOY REPLICA THEREOF**

D716,700 S * 11/2014 Matsumoto D12/92
D717,211 S * 11/2014 Stephenson D12/92
D719,065 S * 12/2014 Sakae D12/92
D743,845 S * 11/2015 Hirai D12/92
D781,183 S * 3/2017 Suga D12/92

(71) Applicants: **Ian Richard Cartabiano**, Torrance, CA (US); **Hiroyuki Hatake**, Miyoshi (JP); **Hirofumi Hokao**, Nagoya (JP)

(72) Inventors: **Edward Yoon Lee**, Newport Beach, CA (US); **Ian Richard Cartabiano**, Torrance, CA (US); **Hiroyuki Hatake**, Miyoshi (JP); **Hirofumi Hokao**, Nagoya (JP)

(73) Assignee: **Toyota Jidosha Kabushiki Kaisha**, Toyota-shi, Aichi-ken (JP)

(**) Term: **15 Years**

(21) Appl. No.: **29/561,387**

(22) Filed: **Apr. 15, 2016**

(30) **Foreign Application Priority Data**

Oct. 16, 2015 (JP) 2015-022913

(51) **LOC (11) Cl.** **12-08**

(52) **U.S. Cl.**
USPC **D12/92**

(58) **Field of Classification Search**
USPC D12/86, 90-92, 88; D21/421, 433, 434;
296/181.1, 181.5
CPC B62D 35/00; B62D 25/00; B62D 25/06;
B62D 33/00
See application file for complete search history.

(56) **References Cited**

U.S. PATENT DOCUMENTS

D715,195 S * 10/2014 Tomatsu D12/92
D716,699 S * 11/2014 Sakae D12/92

OTHER PUBLICATIONS

Netcarshow.com, URL: http://www.netcarshow.com/lexus/2012-if-lc_concept/1600x1200/wallpaper_13.htm; Model: Lexus LF-LC Concept; Mfg.: Lexus, available on at the least Jun. 5, 2015.

(Continued)

Primary Examiner — Melody N Brown

(74) *Attorney, Agent, or Firm* — Finnegan, Henderson, Farabow, Garrett & Dunner, L.L.P.

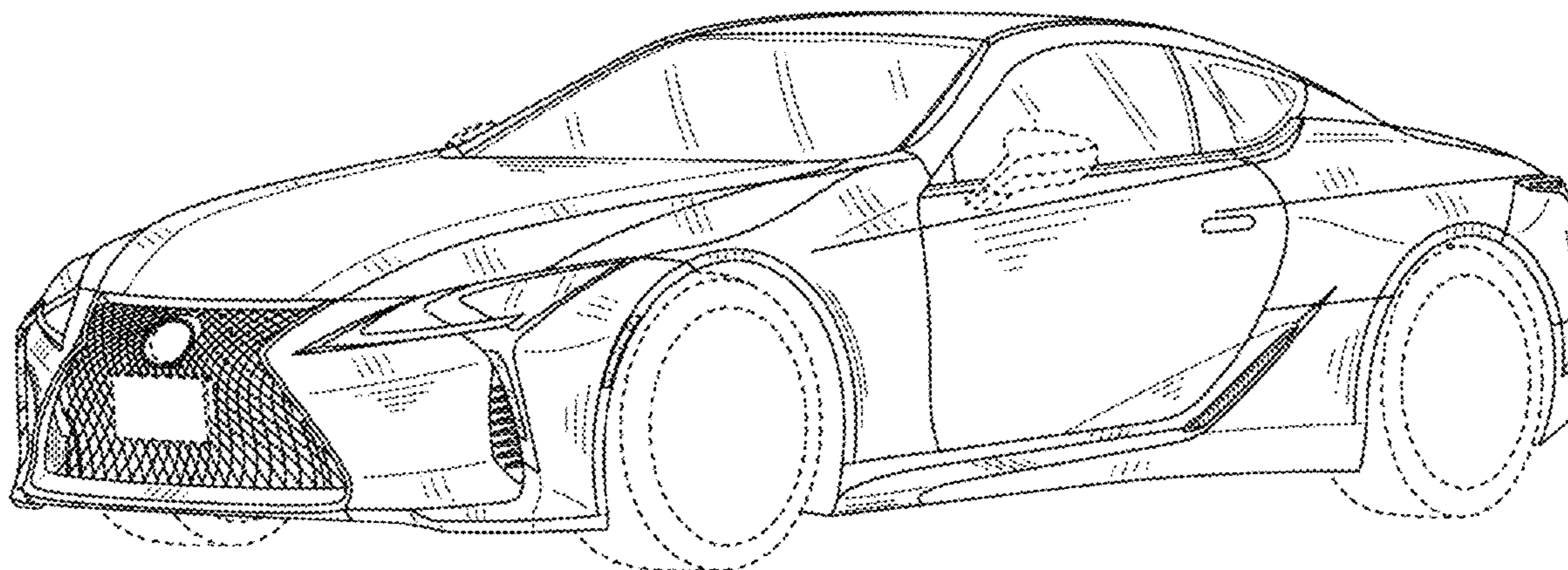
(57) **CLAIM**

The ornamental design for a motor vehicle and/or toy replica thereof, as shown and described.

DESCRIPTION

FIG. 1 is a front and left side perspective view of a vehicle showing my new design;
FIG. 2 is a rear and left side perspective view thereof;
FIG. 3 is a front and right side perspective view thereof;
FIG. 4 is a rear and right side perspective view thereof;
FIG. 5 is a front view thereof;
FIG. 6 is a rear view thereof;
FIG. 7 is a left side view thereof;
FIG. 8 is a right side view thereof; and,
FIG. 9 is a top plan view thereof.
The bottom view of the motor vehicle is not seen during ordinary use and is not part of the claimed design. The broken lines in FIGS. 1-9 depict environment and the elements depicted in these broken lines form no part of the claimed design.

1 Claim, 9 Drawing Sheets



(56)

References Cited

OTHER PUBLICATIONS

Netcarshow.com, URL: http://www.netcarshow.com/lexus/2012-if-lc_concept/1600x1200/wallpaper_0e.htm; Model: Lexus LF-LC Concept; Mfg.: Lexus; available on at least Jun. 5, 2015.

Netcarshow.com, URL: http://www.netcarshow.com/lexus/2011-ifa/1600x1200/wallpaper_1f.htm; Model: Lexus LFA; Mfg.: Lexus; available on at least Jun. 5, 2015.

Netcarshow.com, URL: http://www.netcarshow.com/lexus/2011-ifa/1600x1200/wallpaper_27.htm; Model: Lexus LFA; Mfg.: Lexus; available on at least Jun. 5, 2015.

Netcarshow.com, URL: http://www.netcarshow.com/mercedes-benz/2016-amg_gt/1600x1200/wallpaper_0e.htm; Model: Mercedes-Benz AMG GT; Mfg.: Mercedes-Benz; available on at least Jun. 5, 2015.

Netcarshow.com, URL: http://www.netcarshow.com/mercedes-benz/2016-amg_gt/800x600/wallpaper_4f.htm; Model: Mercedes-Benz AMG GT; Mfg.: Mercedes-Benz; available on at least Jun. 5, 2015.

* cited by examiner

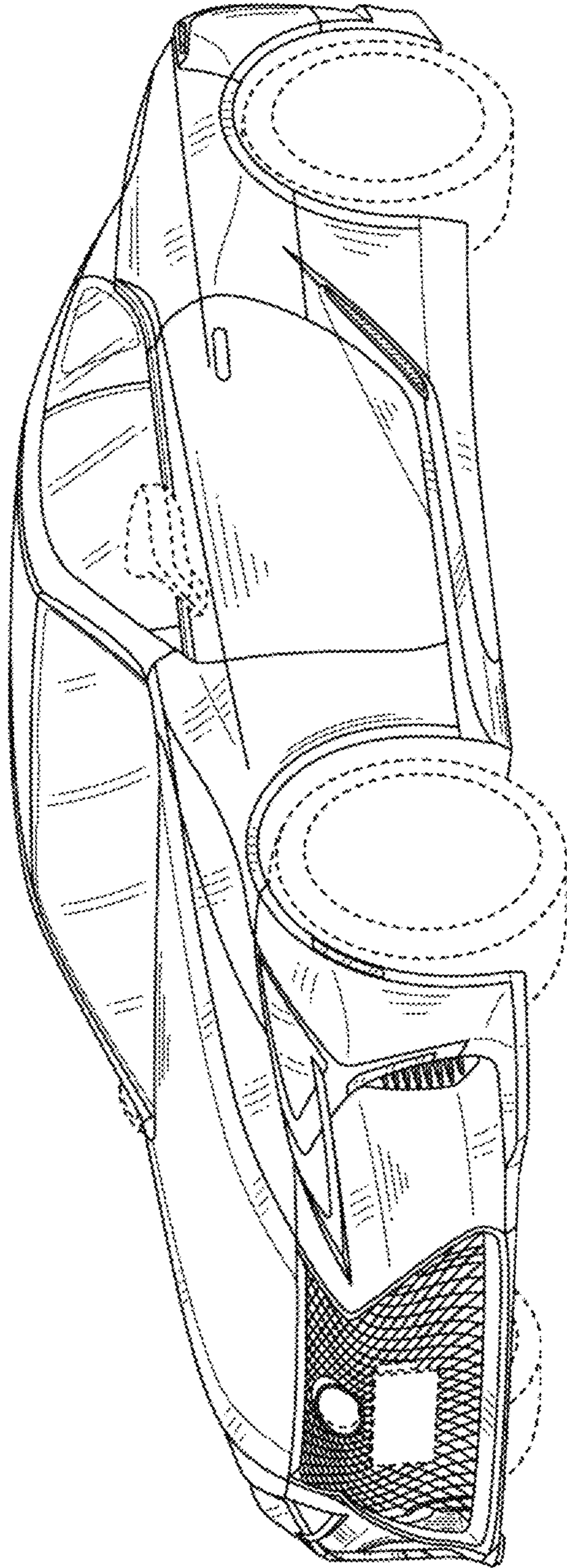


FIG. 1

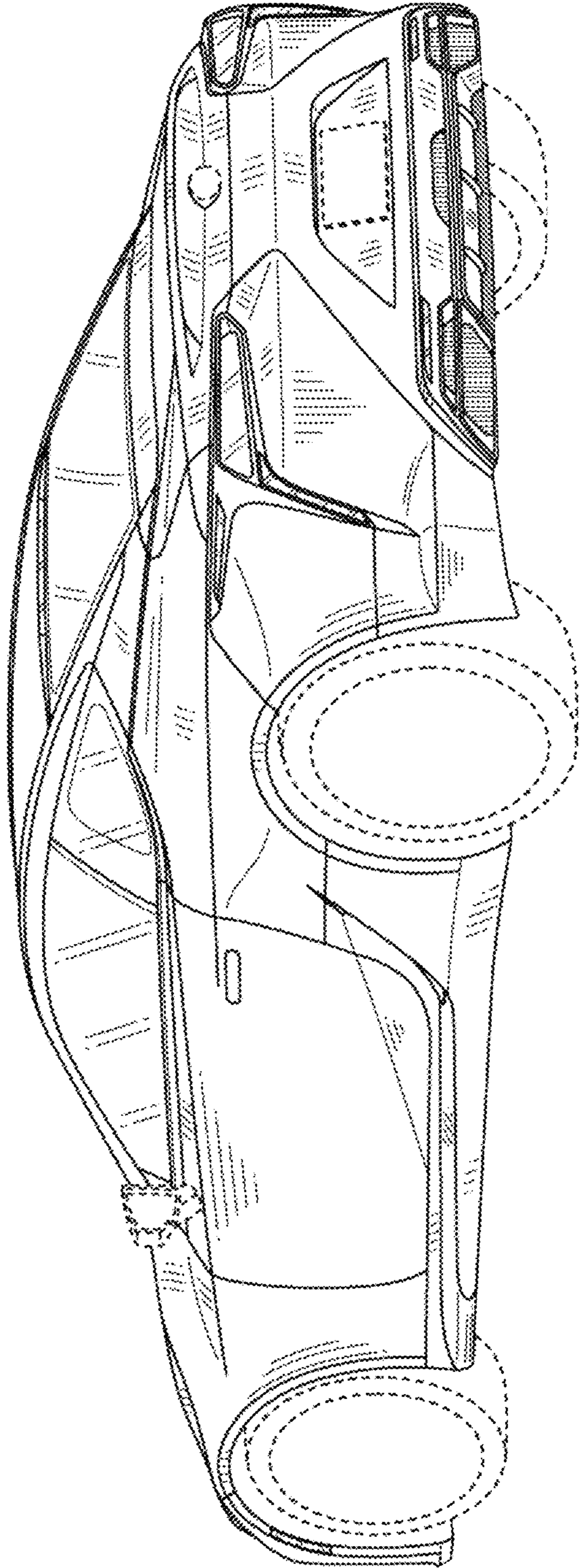


FIG. 2

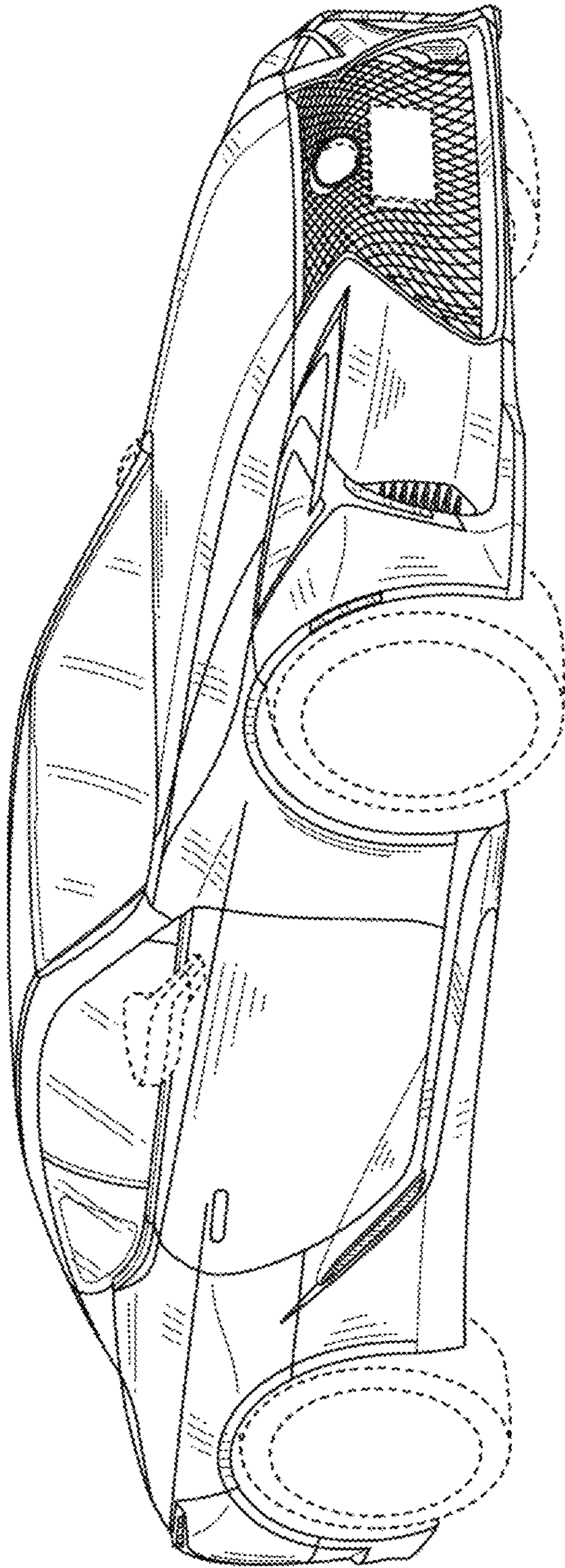


FIG. 3

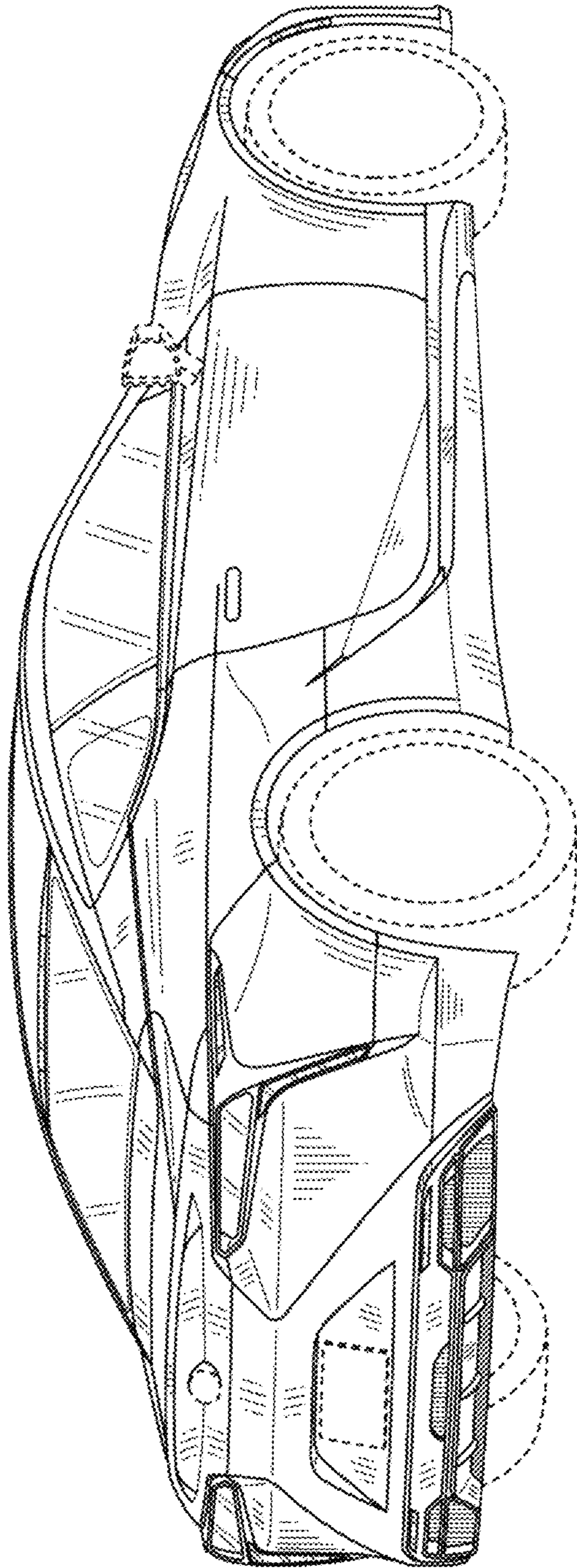


FIG. 4

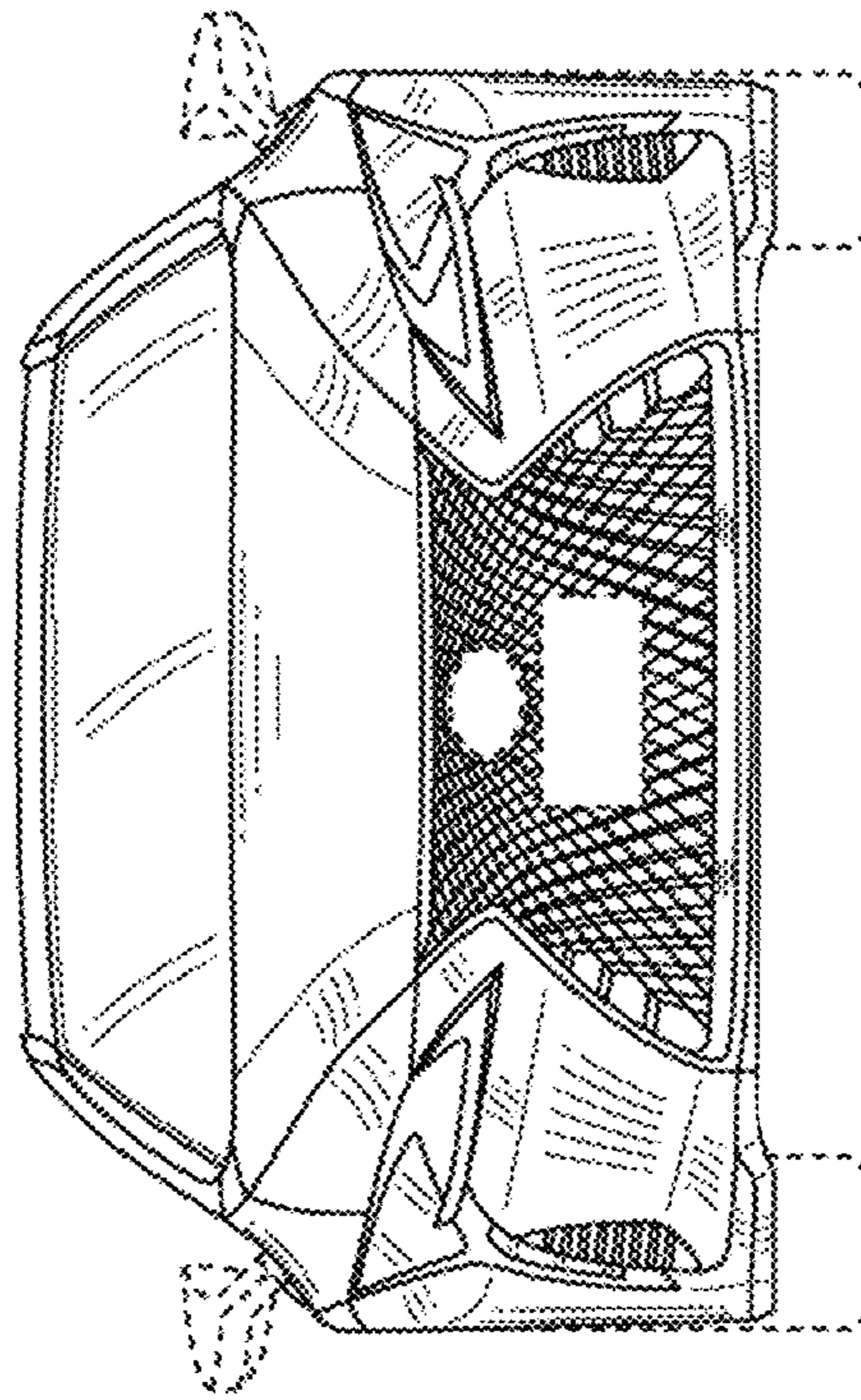


FIG. 5

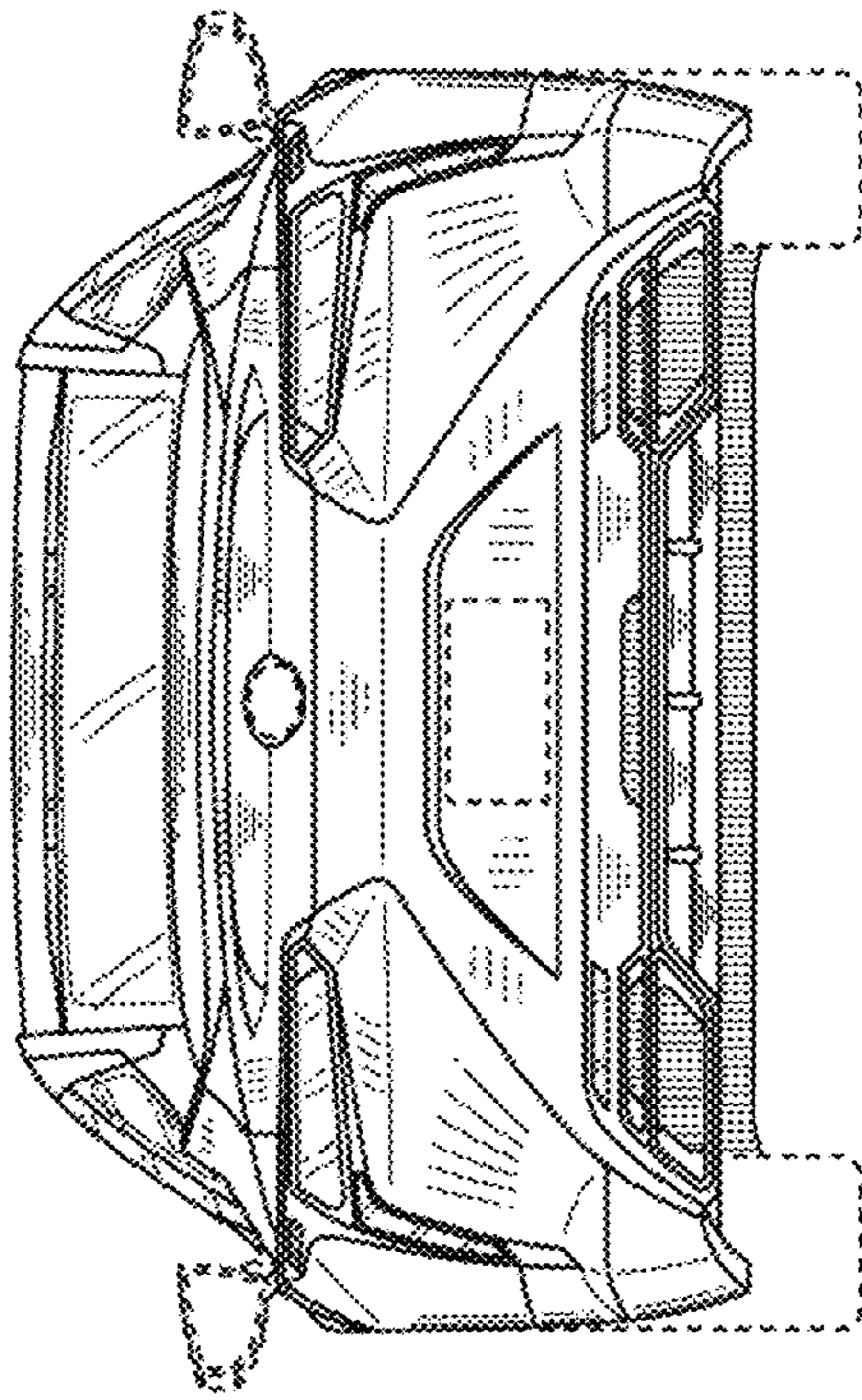


FIG. 6

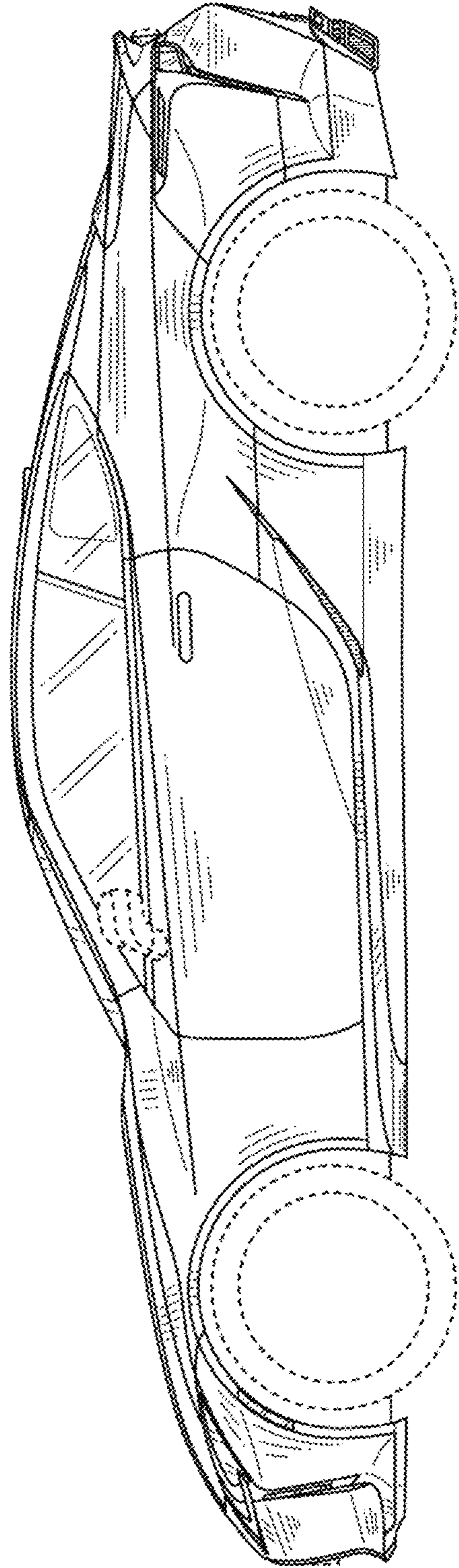


FIG. 7

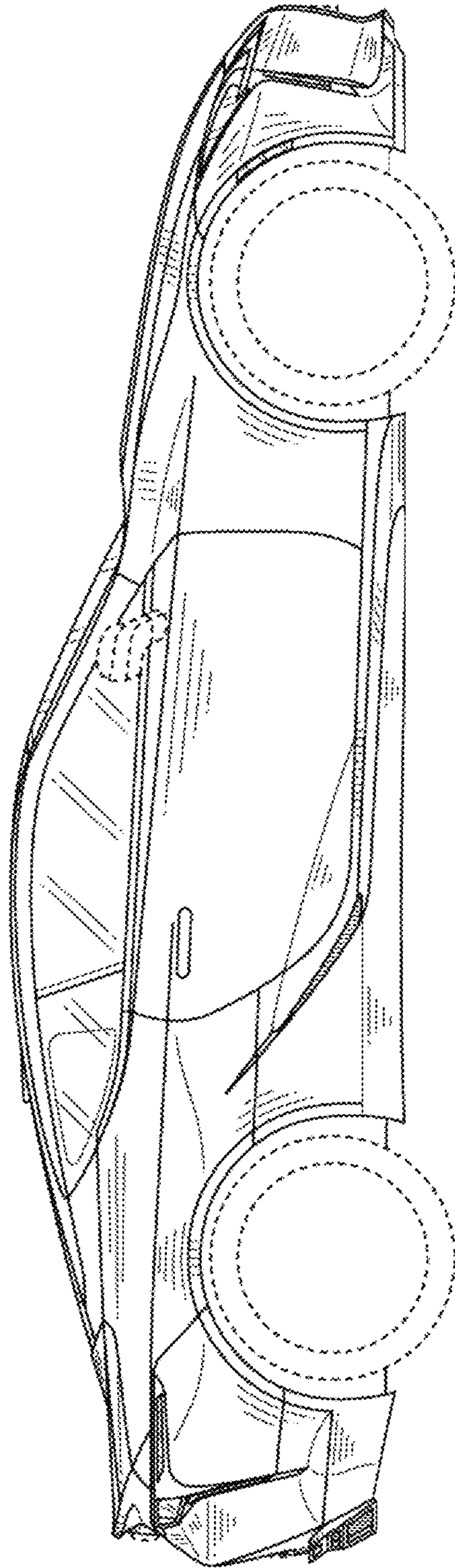


FIG. 8

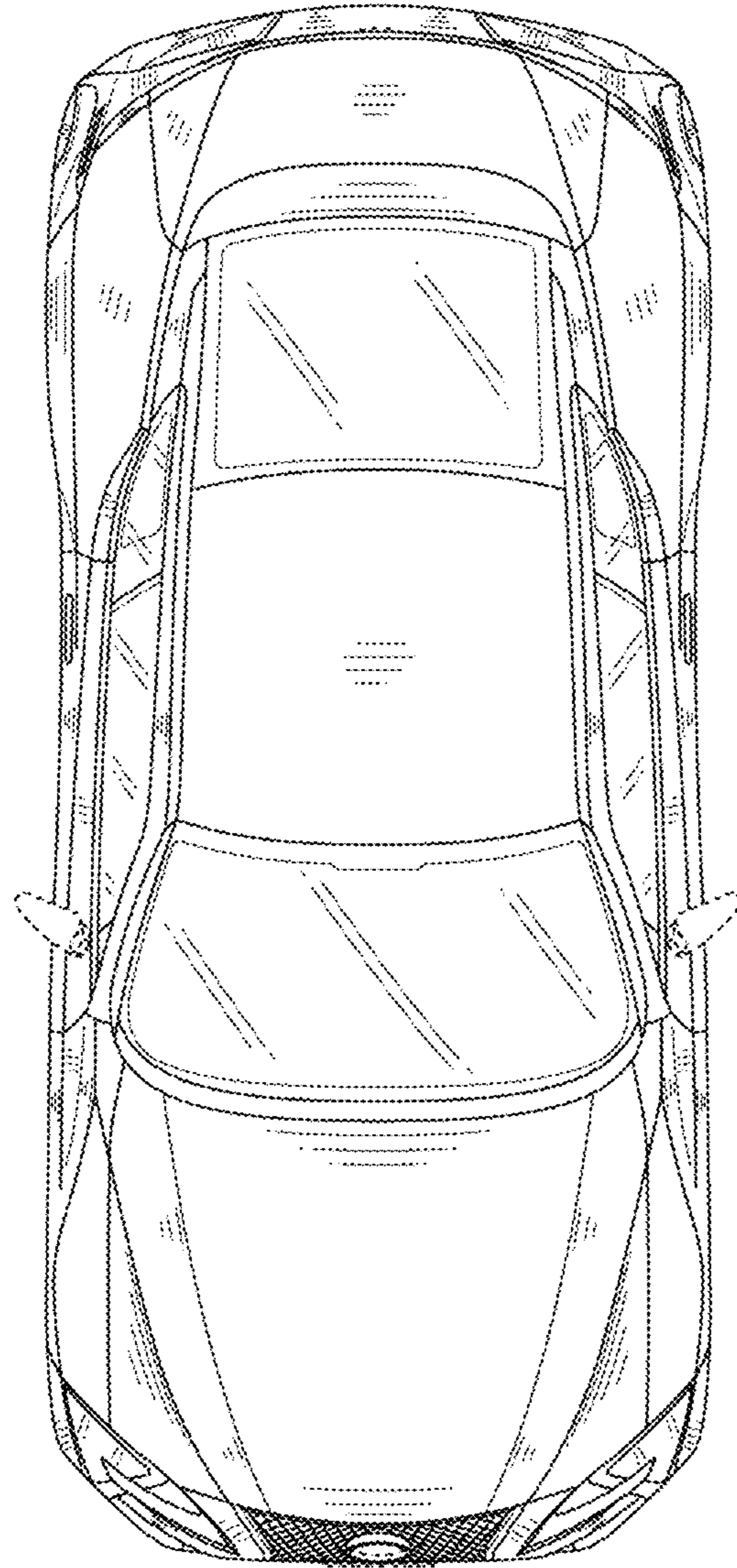


FIG. 9

UNITED STATES PATENT AND TRADEMARK OFFICE
CERTIFICATE OF CORRECTION

PATENT NO. : D806,609 S
APPLICATION NO. : 29/561387
DATED : January 2, 2018
INVENTOR(S) : Lee et al.

Page 1 of 1

It is certified that error appears in the above-identified patent and that said Letters Patent is hereby corrected as shown below:

Please correct item (56) under "OTHER PUBLICATIONS" as follows:

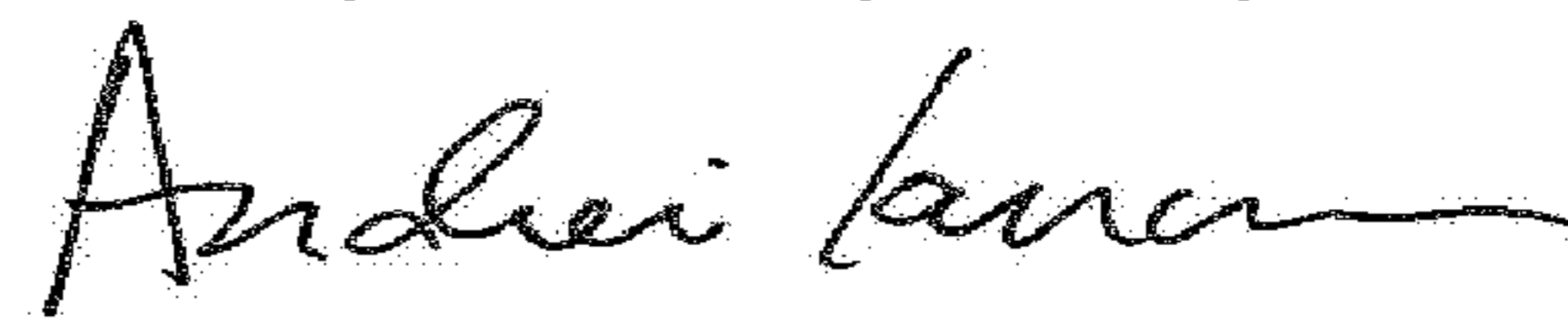
Netcarshow.com, URL: http://www.netcarshow.com/lexus/2012-lf-lc_concept/1600x1200/wallpaper_13.htm;
Model: Lexus LF-LC Concept; Mfg.: Lexus; available on at least June 5, 2015.

Netcarshow.com, URL: http://www.netcarshow.com/lexus/2012-lf-lc_concept/1600x1200/wallpaper_0e.htm; Model: Lexus LF-LC Concept; Mfg.: Lexus; available on at least June 5, 2015.

Netcarshow.com, URL: http://www.netcarshow.com/lexus/2011-lfa/1600x1200/wallpaper_1f.htm; Model: Lexus LFA; Mfg.: Lexus; available on at least June 5, 2015.

Netcarshow.com, URL: http://www.netcarshow.com/lexus/2011-lfa/1600x1200/wallpaper_27.htm; Model: Lexus LFA; Mfg.: Lexus; available on at least June 5, 2015.

Signed and Sealed this
Twenty-ninth Day of May, 2018



Andrei Iancu
Director of the United States Patent and Trademark Office

UNITED STATES PATENT AND TRADEMARK OFFICE
CERTIFICATE OF CORRECTION

PATENT NO. : D806,609 S
APPLICATION NO. : 29/561387
DATED : January 2, 2018
INVENTOR(S) : Edward Yoon Lee et al.

Page 1 of 2

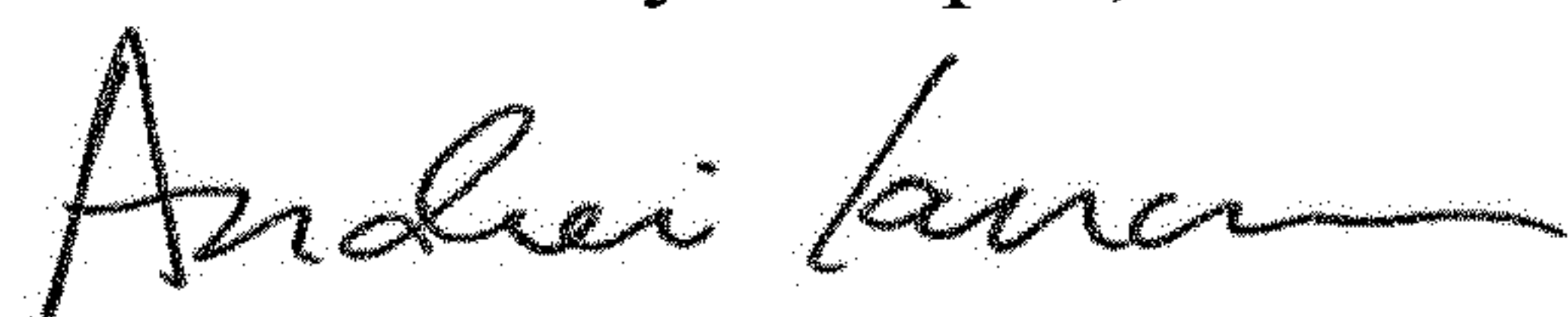
It is certified that error appears in the above-identified patent and that said Letters Patent is hereby corrected as shown below:

Please replace item (71) to read as follows:

(71) Applicants: **Edward Yoon Lee**, Newport Beach, CA (US); **Ian Richard Cartabiano**,
Torrance, CA (US); **Hiroyuki Hatake**, Miyoshi (JP); **Hirofumi Hokao**, Nagoya (JP)

Delete Drawing Sheet 9 of 9 and replace with the attached Drawing Sheet 9 of 9 which
displays at the same print scale as that of FIGS. 1-8

Signed and Sealed this
Ninth Day of April, 2019



Andrei Iancu
Director of the United States Patent and Trademark Office

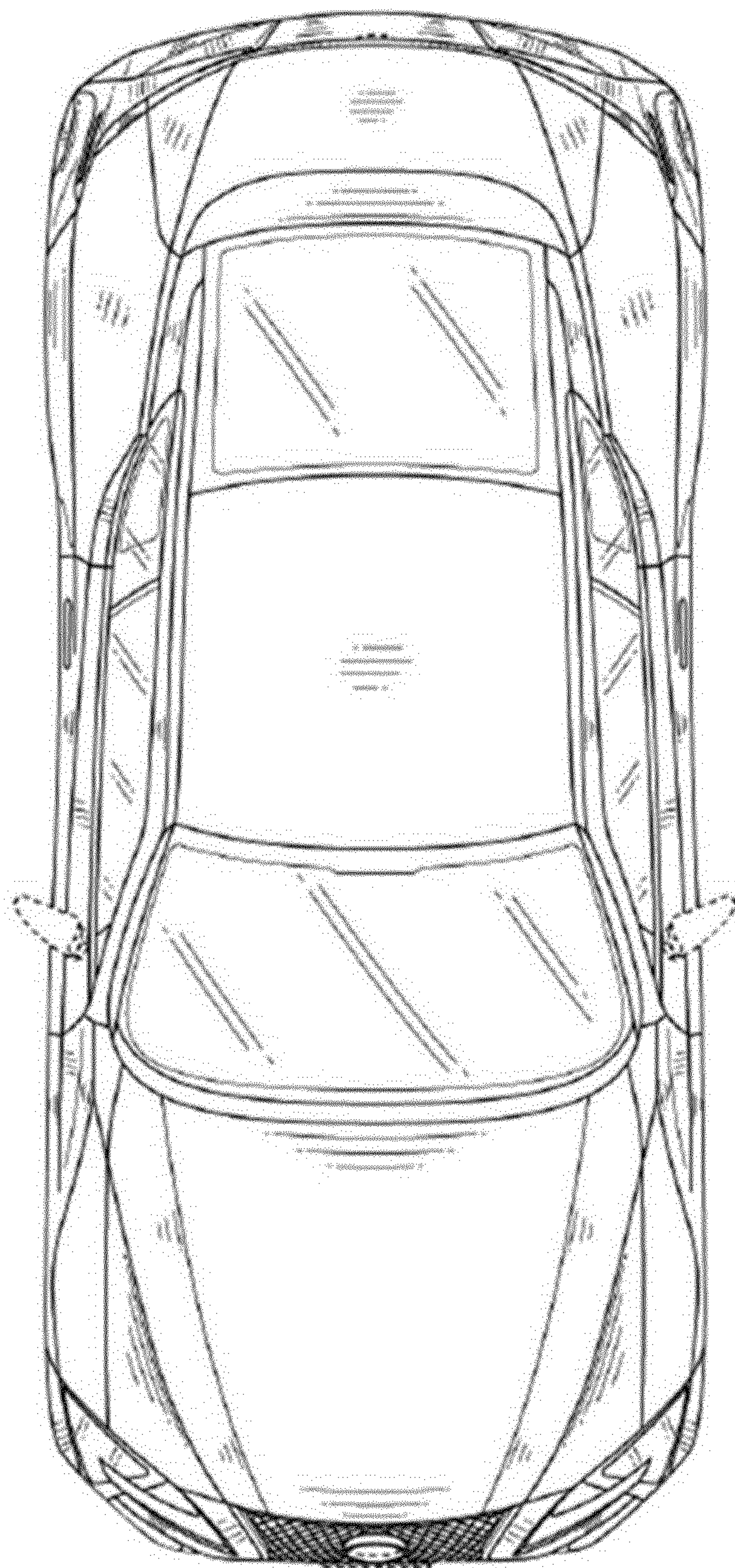


FIG. 9