



US00D806608S

(12) **United States Design Patent**
Frahm et al.

(10) **Patent No.:** **US D806,608 S**

(45) **Date of Patent:** **** Jan. 2, 2018**

(54) **MOTOR SCOOTER**

(71) Applicant: **EWII A/S**, Kolding (DK)

(72) Inventors: **Søren Xerxes Frahm**, Horsens (DK);
Robert Byriël Riedel, Horsens (DK)

(73) Assignee: **EWII A/S**, Kolding (DK)

(**) Term: **15 Years**

(21) Appl. No.: **29/546,612**

(22) Filed: **Nov. 24, 2015**

Related U.S. Application Data

(62) Division of application No. 29/499,466, filed on Aug. 15, 2014, now Pat. No. Des. 774,945.

(30) **Foreign Application Priority Data**

Feb. 17, 2014 (EM) 002405902-0001
Feb. 17, 2014 (EM) 002405902-0002

(51) **LOC (11) Cl.** **12-08**

(52) **U.S. Cl.**
USPC **D12/85**

(58) **Field of Classification Search**
USPC D12/85, 86, 107, 131; D21/424, 433,
D21/434; D15/10, 14-17, 22-26
CPC B62D 21/11; B62D 29/043; B62D 31/00;
B62D 49/00; B62D 61/065; B62L 3/00;
B62K 3/005; B62K 5/01; B62K 5/08;
B62K 5/027
See application file for complete search history.

(56) **References Cited**

U.S. PATENT DOCUMENTS

D260,871 S * 9/1981 Cargile D12/85
4,573,546 A * 3/1986 Irimajiri B62D 61/065
180/211

4,703,824 A * 11/1987 Irimajiri B62D 61/065
180/210
D404,688 S * 1/1999 Hanagan D12/85
6,015,022 A * 1/2000 Thuliez B62D 21/04
180/210
D424,979 S * 5/2000 Hanagan D12/85
D427,548 S * 7/2000 Sacco D12/85
D449,018 S * 10/2001 Musser D12/85
D469,037 S * 1/2003 Hanagan D12/85
D584,188 S * 1/2009 Jenkins D12/85
D589,844 S * 4/2009 Aube D12/85
D592,547 S * 5/2009 Riley D12/85
D592,548 S * 5/2009 Aube D12/85
D613,203 S * 4/2010 Geslin D12/85
D626,032 S * 10/2010 Starr D12/85
D633,821 S * 3/2011 Hill D12/85
D666,127 S * 8/2012 Nam D12/85
D678,124 S * 3/2013 Canni D12/85

(Continued)

Primary Examiner — Darlington Ly

(74) *Attorney, Agent, or Firm* — Finnegan, Henderson,
Farabow, Garrett & Dunner, LLP

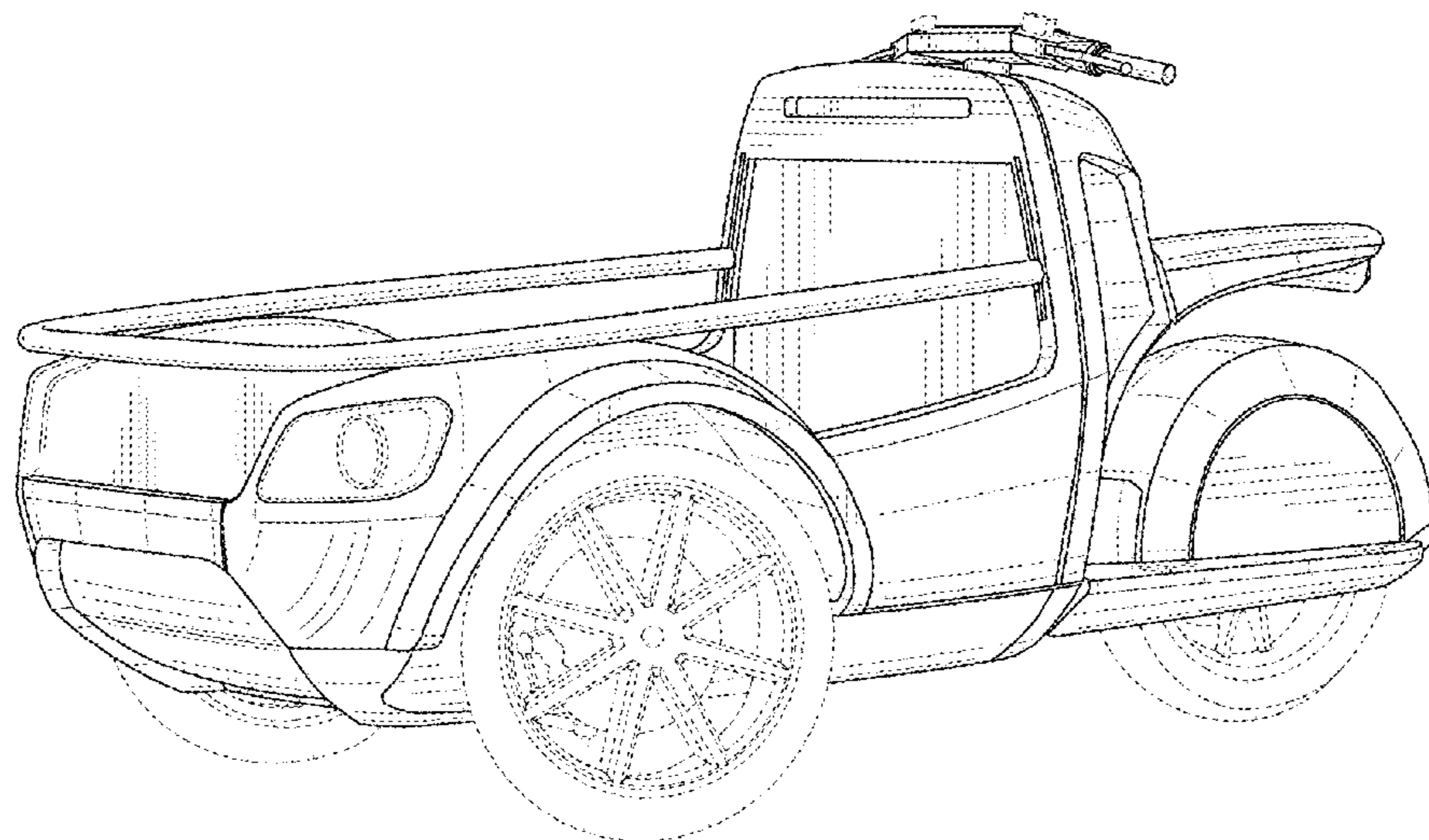
(57) **CLAIM**

The ornamental design for a motor scooter, as shown and described.

DESCRIPTION

FIG. 1 is a front and right side perspective view of a motor scooter showing our new design;
FIG. 2 is a rear and right side perspective view thereof;
FIG. 3 is a front elevation view thereof;
FIG. 4 is a right side elevation view thereof, where the left side elevation view is a mirror image thereof;
FIG. 5 is a rear elevation view thereof; and,
FIG. 6 is a top plan view thereof.
The bottom view is omitted because it is not seen during ordinary use. The broken lines of even length in the drawings illustrate portions of the motor scooter that form no part of the claimed design.

1 Claim, 6 Drawing Sheets



(56)

References Cited

U.S. PATENT DOCUMENTS

D682,158 S *	5/2013	Canni	D12/85
2012/0241239 A1 *	9/2012	Holroyd	B62K 5/05 180/210

* cited by examiner

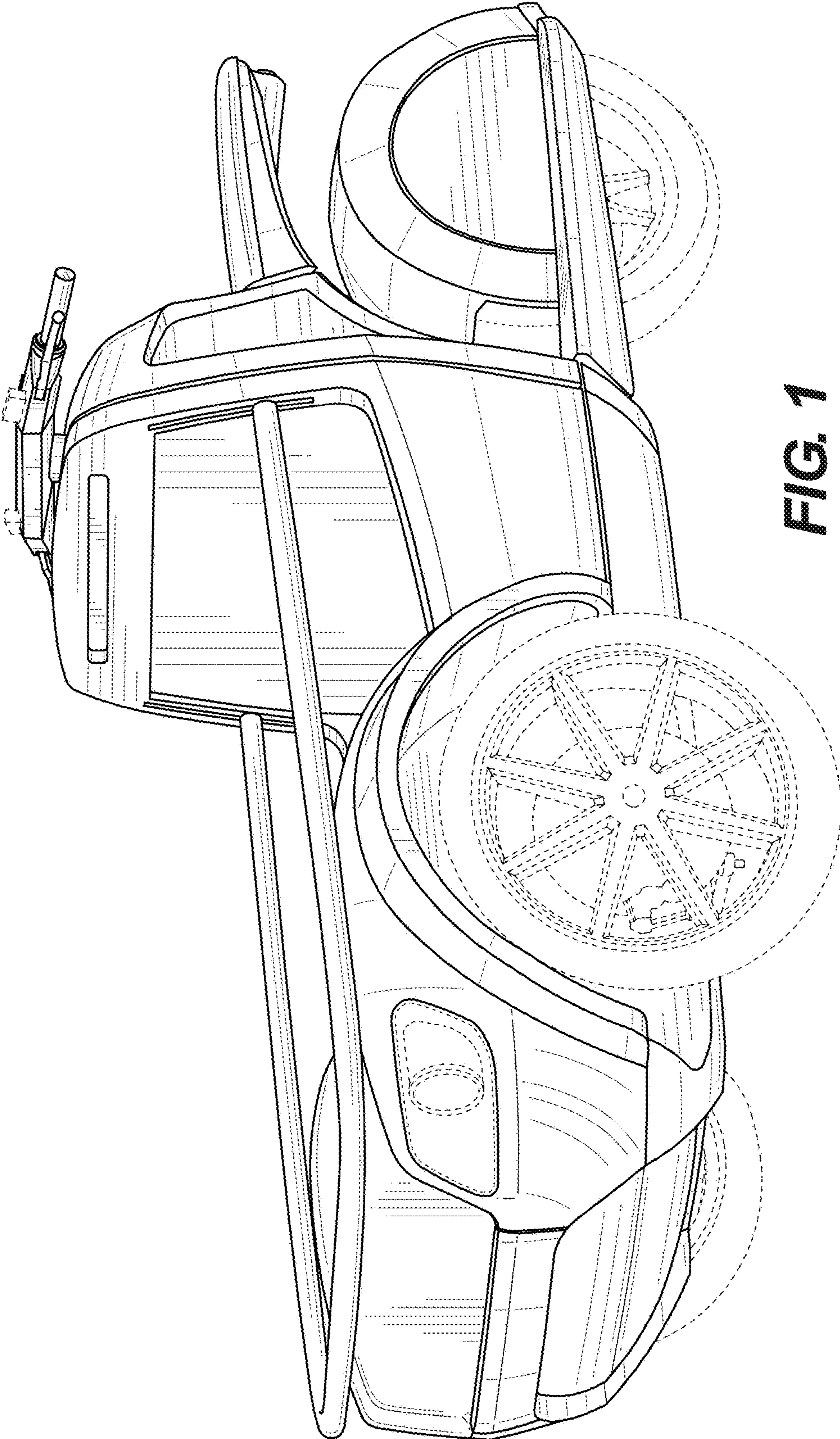


FIG. 1

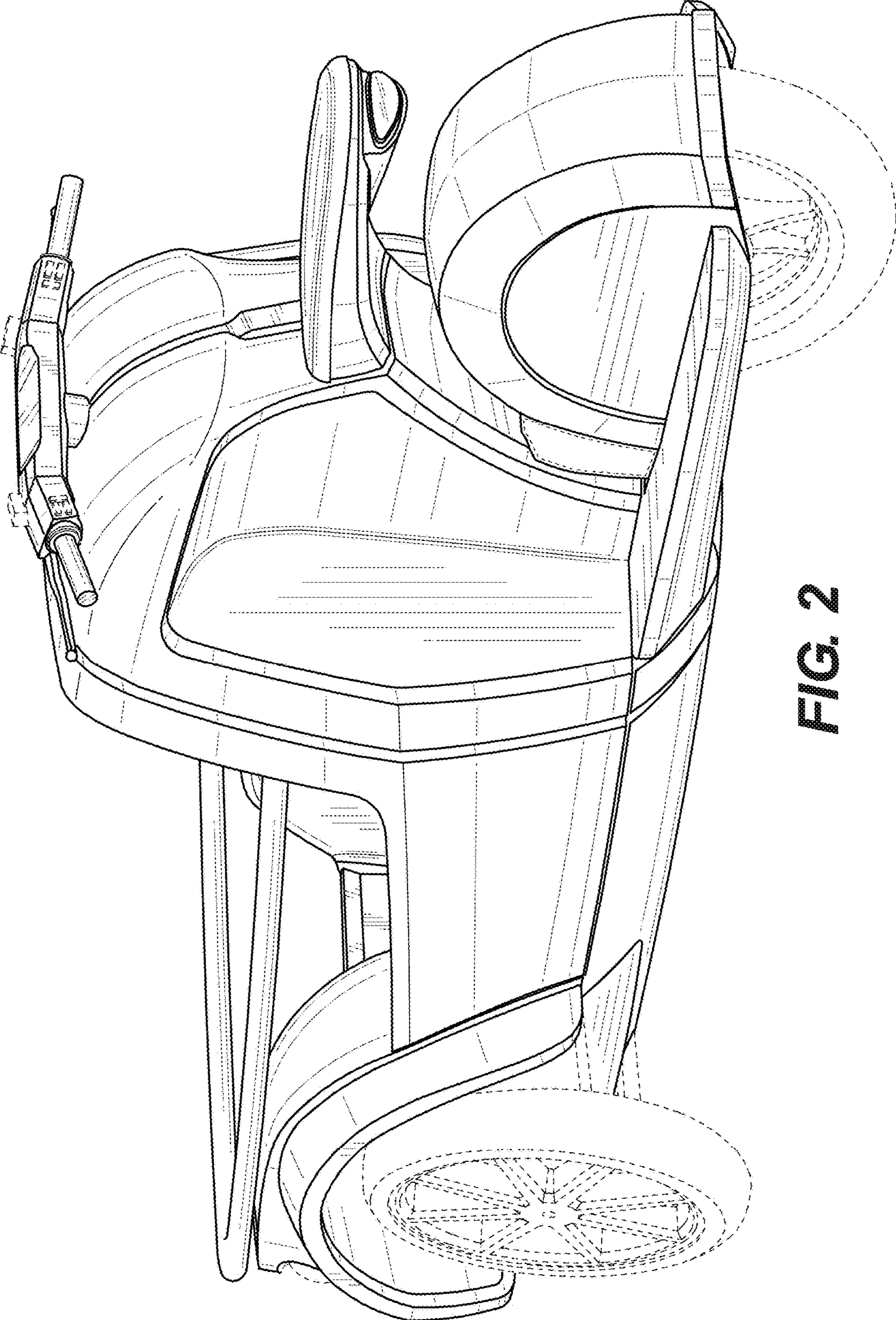


FIG. 2

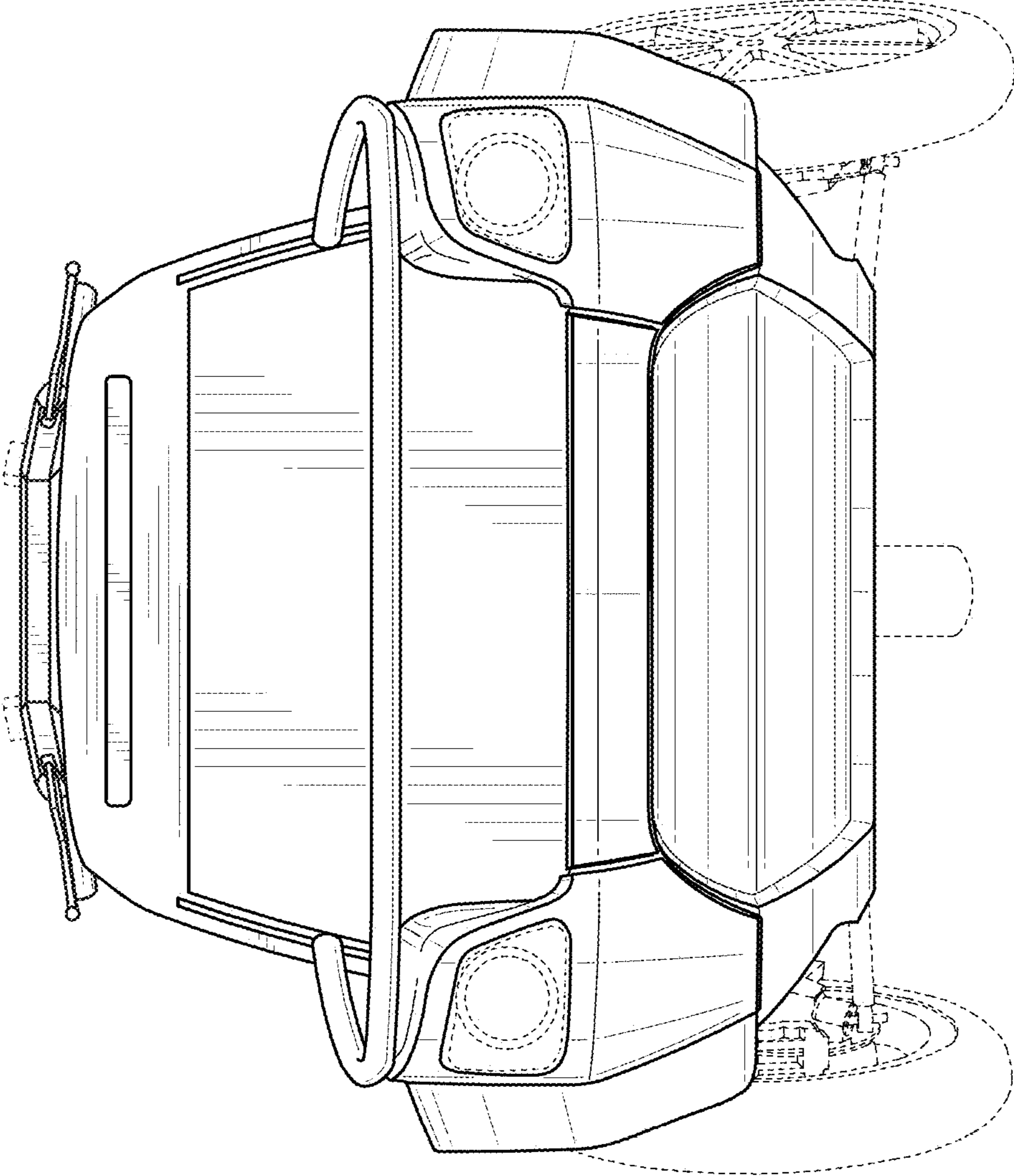


FIG. 3

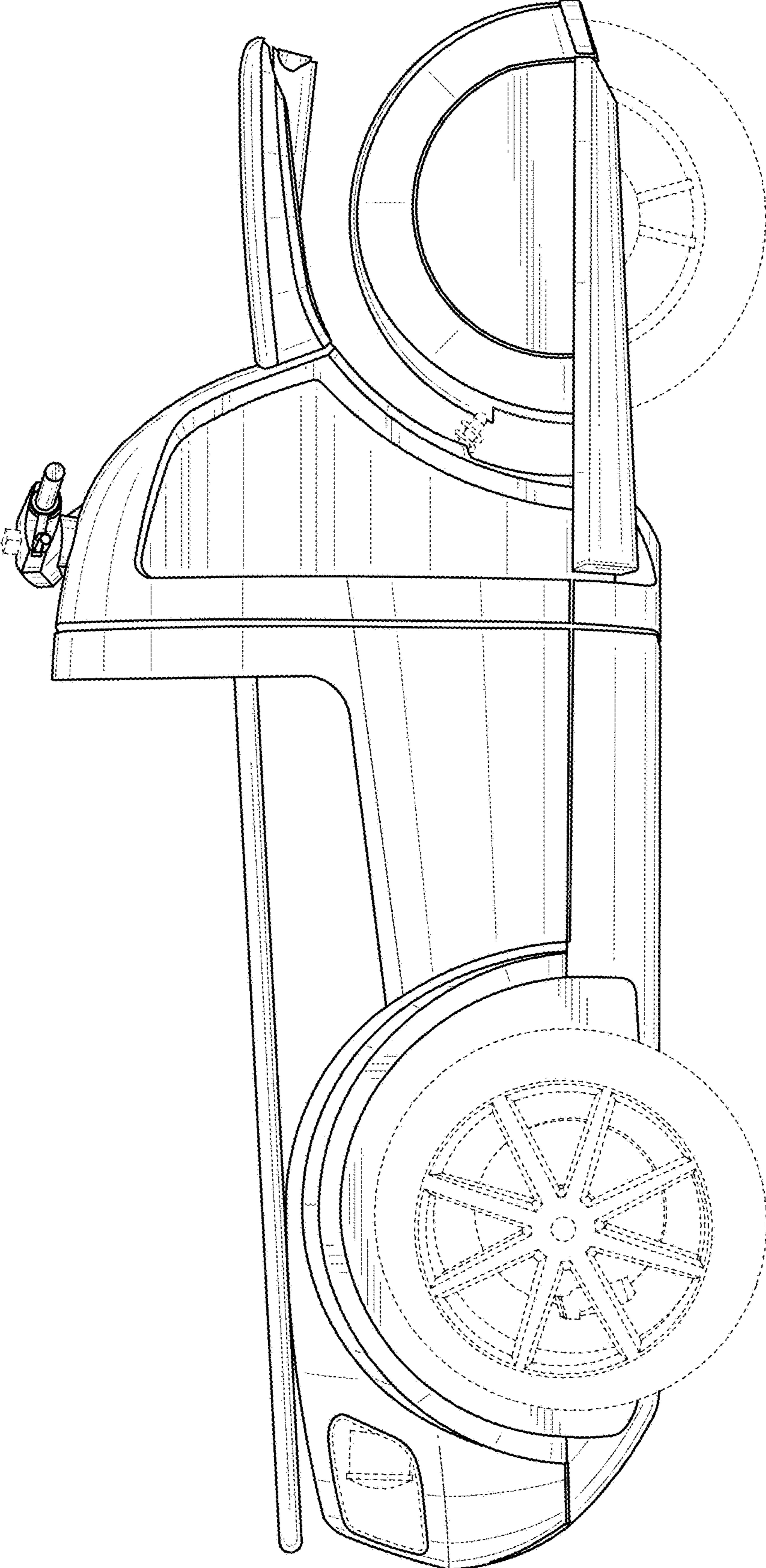


FIG. 4

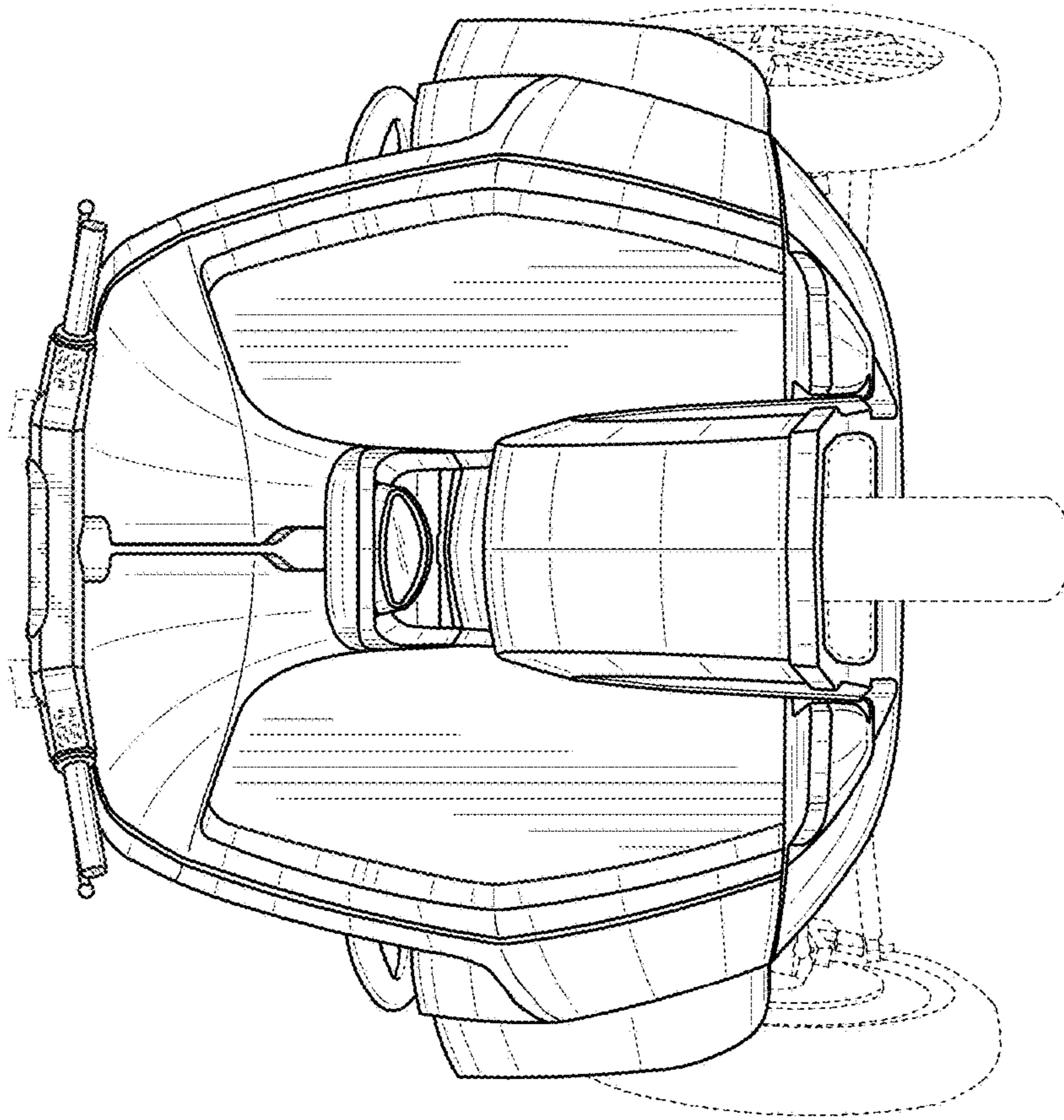


FIG. 5

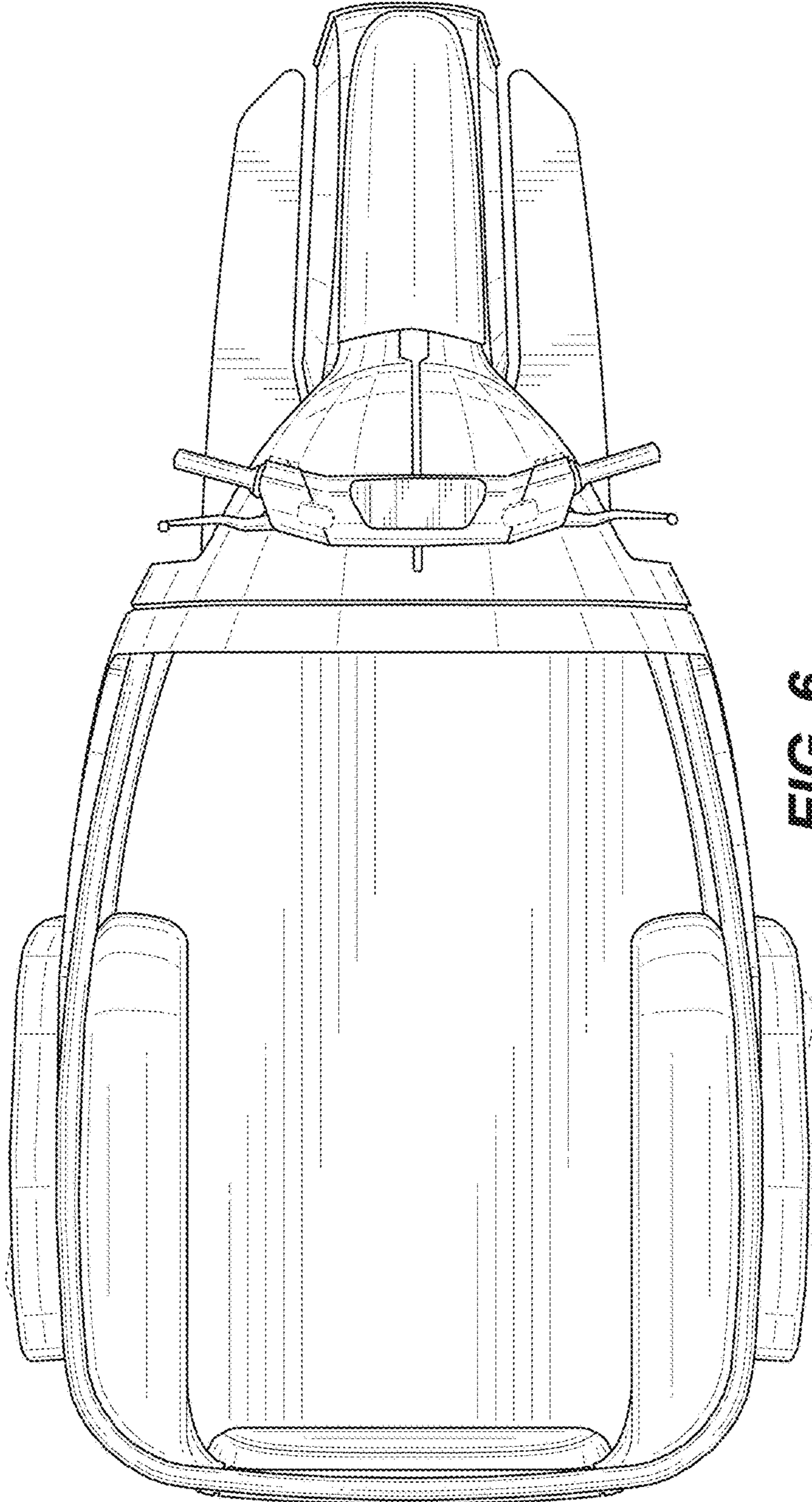


FIG. 6