



US00D806607S

(12) **United States Design Patent**
Zhydanov

(10) **Patent No.:** **US D806,607 S**
(45) **Date of Patent:** **** Jan. 2, 2018**

(54) **UNMANNED AERIAL VEHICLE (UAV)**

DESCRIPTION

- (71) Applicant: **ATLAS DYNAMIC LIMITED**, Riga (LV)
- (72) Inventor: **Igor Zhydanov**, Riga (LV)
- (73) Assignee: **ATLAS DYNAMIC LIMITED**, Dublin (IE)
- (**) Term: **15 Years**
- (21) Appl. No.: **29/562,781**
- (22) Filed: **Apr. 28, 2016**
- (51) **LOC (11) Cl.** **12-07**
- (52) **U.S. Cl.**
USPC **D12/16.1**
- (58) **Field of Classification Search**
USPC D12/16.1, 319–345; D21/436, 441–444, D21/446–453

(Continued)

(56) **References Cited**

U.S. PATENT DOCUMENTS

- D648,808 S * 11/2011 Seydoux D21/441
 - D684,103 S * 6/2013 Morelli D12/319
- (Continued)

OTHER PUBLICATIONS

Yi Erida YouTube. Xiaomi Yi Erida Drone 4K by Gadgets & Drones. dated Sep. 1, 2016. found online [Jan. 4, 2017] https://www.youtube.com/watch?v=DfXW7meNArw.*

(Continued)

Primary Examiner — Robert M Spear

Assistant Examiner — Marissa J Cash

(74) *Attorney, Agent, or Firm* — Schwegman Lundberg & Woessner, P.A.; Ariel Reinitz

(57) **CLAIM**

The ornamental design for an unmanned aerial vehicle (UAV), as shown and described.

FIG. 1 is a front perspective view of a new design for an unmanned aerial vehicle (UAV) with two front arms in respective first positions;

FIG. 2 is an overhead view of the unmanned aerial vehicle (UAV) of FIG. 1;

FIG. 3 is a front view of the unmanned aerial vehicle (UAV) of FIG. 1;

FIG. 4 is a right side view of the unmanned aerial vehicle (UAV) of FIG. 1;

FIG. 5 is a rear perspective view of the unmanned aerial vehicle (UAV) of FIG. 1;

FIG. 6 is a rear perspective view of the unmanned aerial vehicle (UAV) of FIG. 1 with the two front arms in respective second positions;

FIG. 7 is a rear perspective view of the unmanned aerial vehicle (UAV) of FIG. 1 with the two front arms in respective third positions;

FIG. 8 is a rear perspective view of the unmanned aerial vehicle (UAV) of FIG. 1 with the two front arms in respective fourth positions;

FIG. 9 is a rear perspective view of the unmanned aerial vehicle (UAV) of FIG. 1 with the two front arms in respective fifth positions;

FIG. 10 is a front view of the unmanned aerial vehicle (UAV) of FIG. 1 with the two front arms in the respective fifth positions (as shown in FIG. 9);

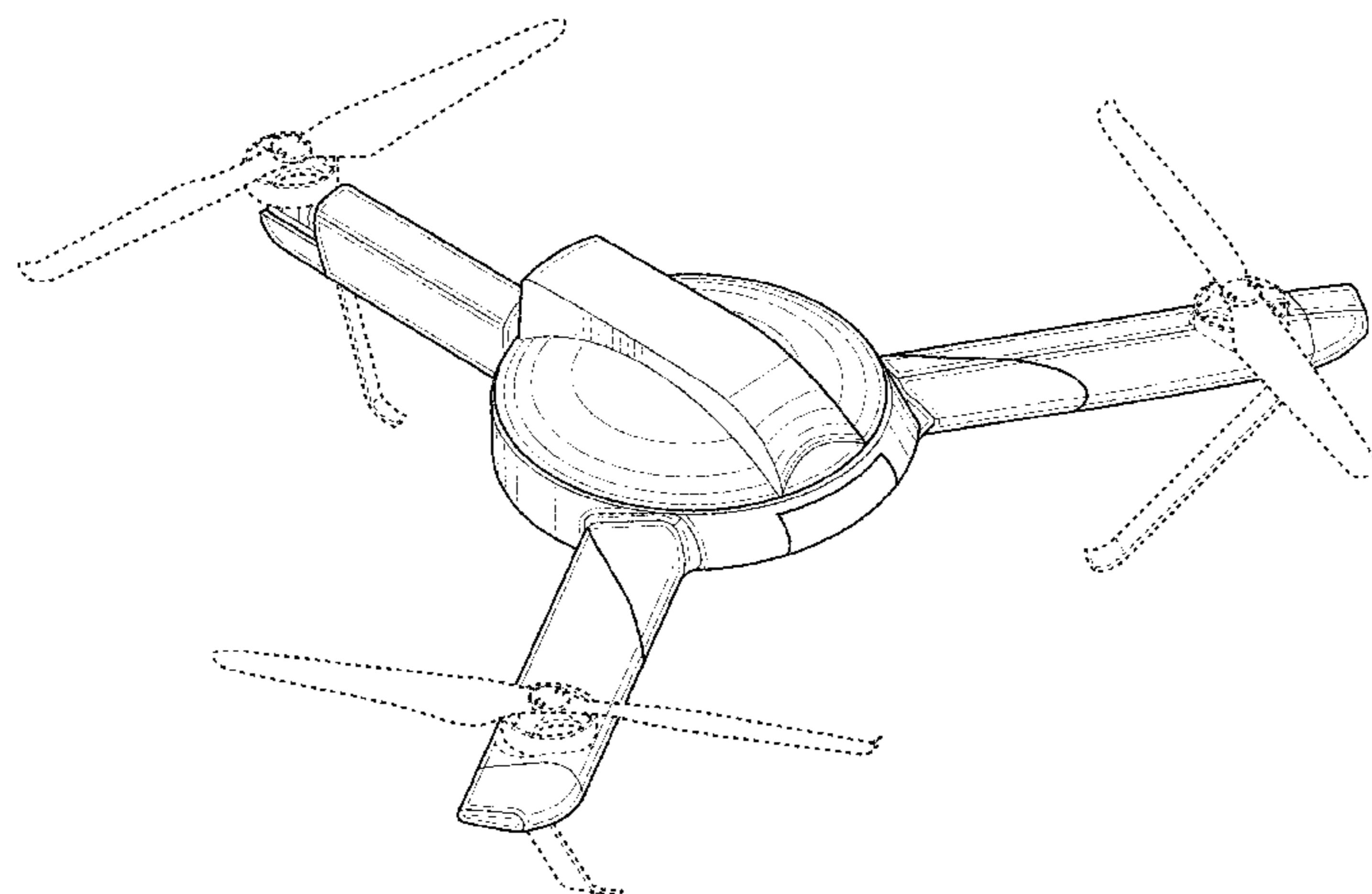
FIG. 11 is an overhead view of the unmanned aerial vehicle (UAV) of FIG. 1 with the two front arms in the respective fifth positions (as shown in FIG. 9); and,

FIG. 12 is a left side view of the unmanned aerial vehicle (UAV) of FIG. 1 with the two front arms in the respective fifth positions (as shown in FIG. 9).

The broken lines in the figures show portions of the unmanned aerial vehicle (UAV) which form no part of the claimed design.

The shade lines in the figures show contour and not surface ornamentation.

1 Claim, 12 Drawing Sheets



(58) **Field of Classification Search**

CPC B64C 1/062; B64C 39/024; B64C 27/08;
B64C 29/00; B64C 39/00; B64C 23/00

See application file for complete search history.

(56) **References Cited**

U.S. PATENT DOCUMENTS

8,973,861 B2 * 3/2015 Zhou A63H 27/12
244/17.23
D728,445 S * 5/2015 Colten D12/16.1
D770,940 S * 11/2016 Taylor D12/16.1
D772,991 S * 11/2016 Caubel D12/16.1
2015/0129711 A1 * 5/2015 Caubel B64C 27/08
244/17.23
2016/0194069 A1 * 7/2016 Taylor B64C 39/024
244/17.23
2016/0280369 A1 * 9/2016 Pounds A63H 27/00
2016/0311528 A1 * 10/2016 Nemovi B64C 27/82

OTHER PUBLICATIONS

“Chinese Application Serial No. 201630534161.9, Office Action dated Jan. 15, 2017”, No Translation, 2 pgs.

“Chinese Application Serial No. 201630534161.9, Response filed May 18, 2017 to Action dated Jan. 5, 2017.”, No Translation, 5 pgs.

* cited by examiner

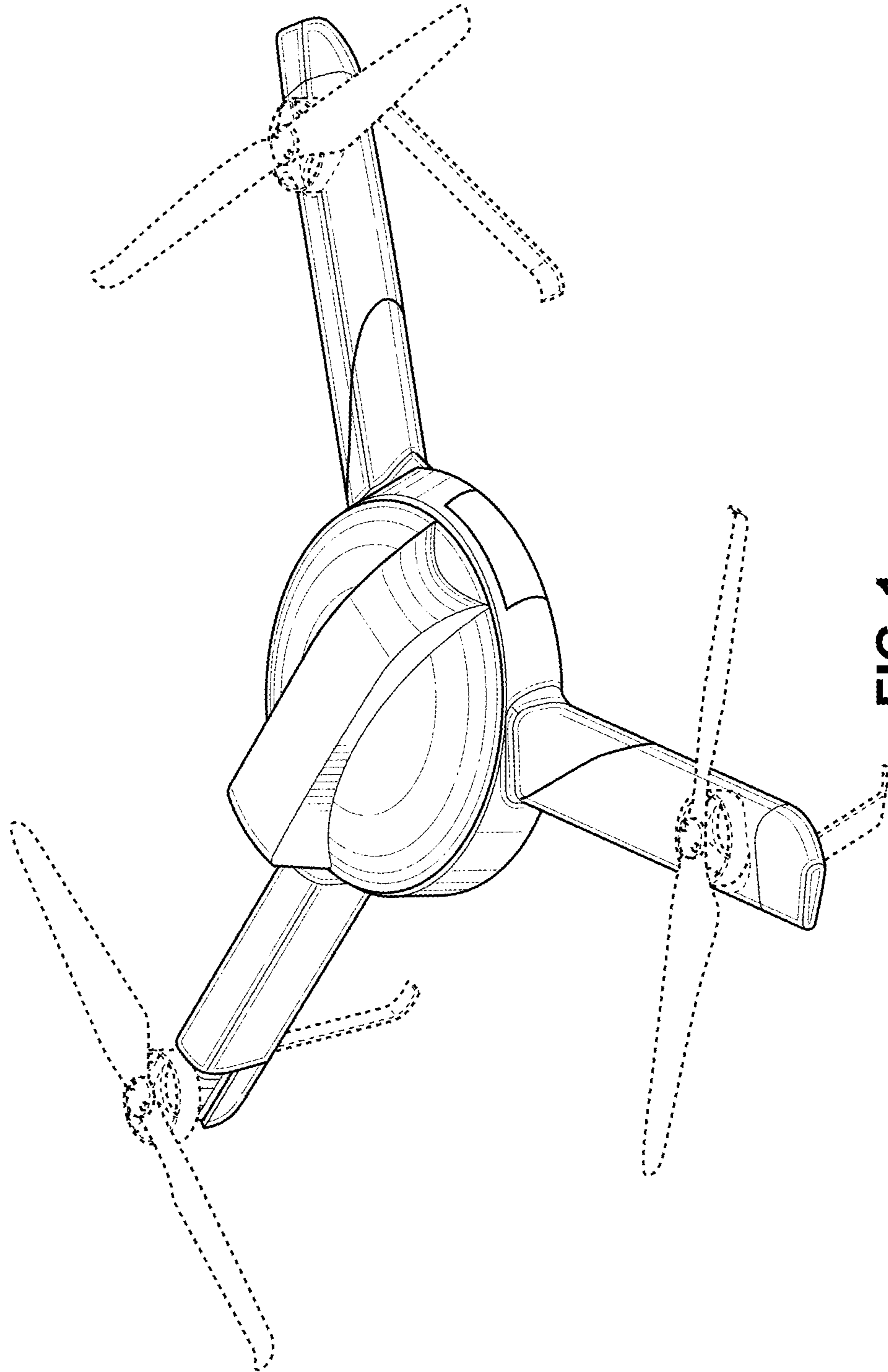


FIG. 1

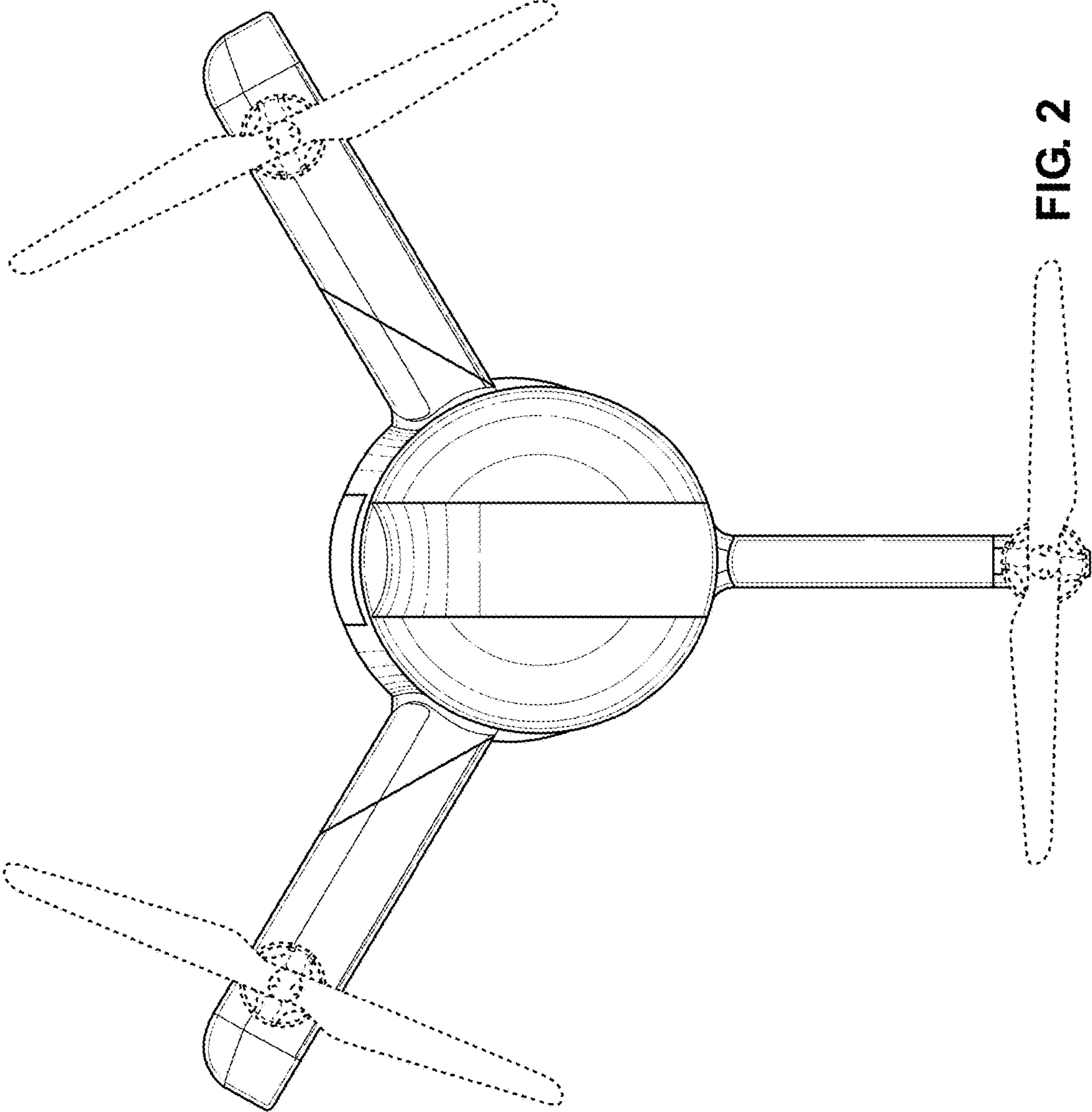


FIG. 2

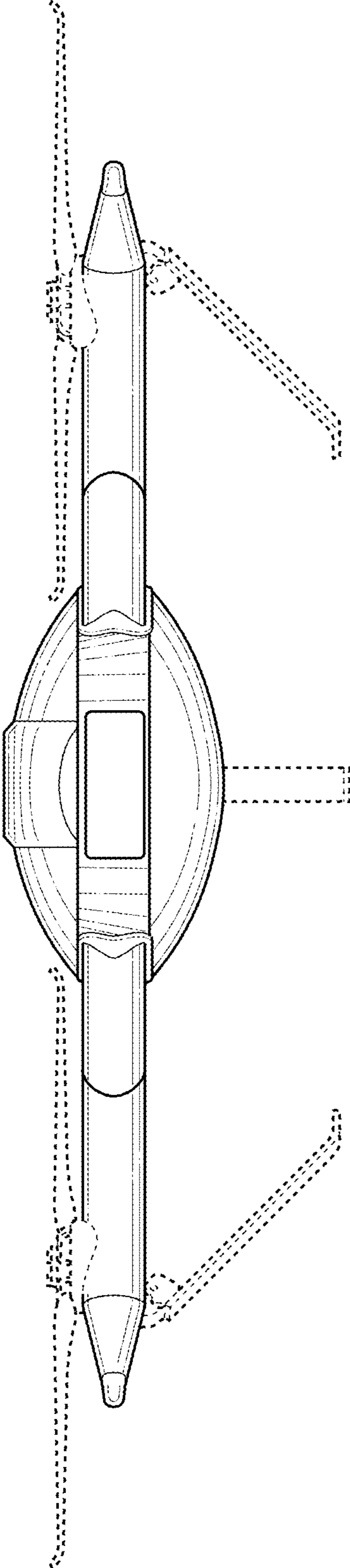


FIG. 3

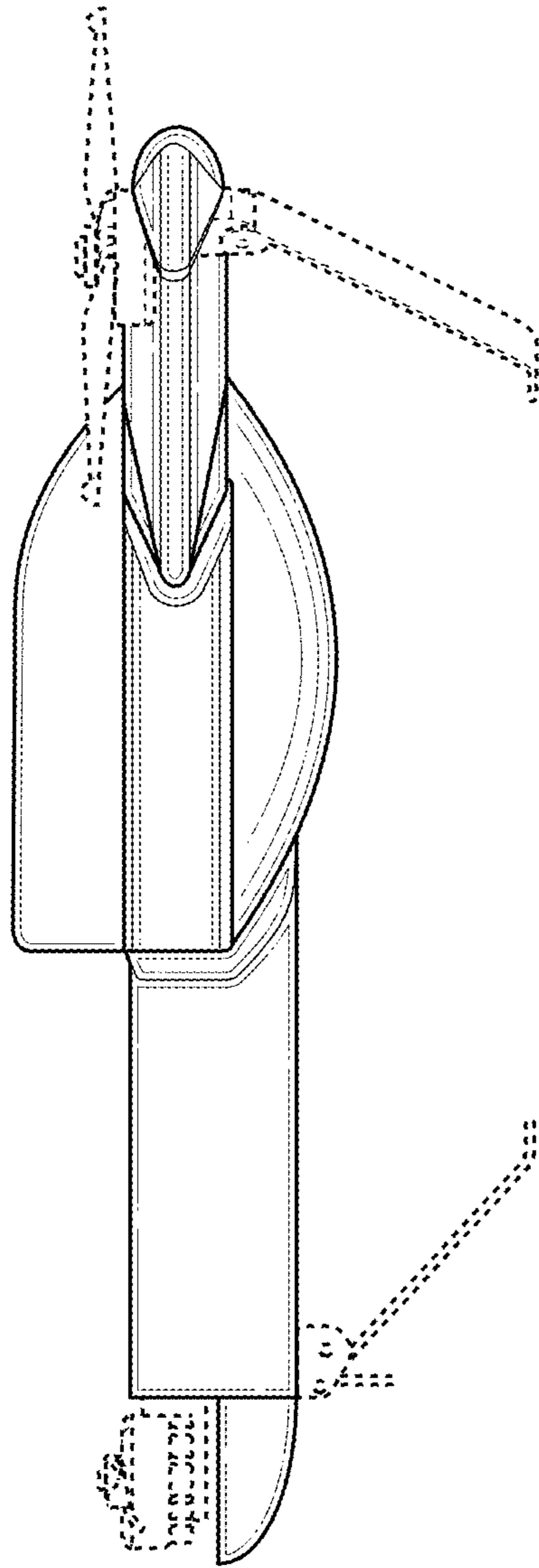


FIG. 4

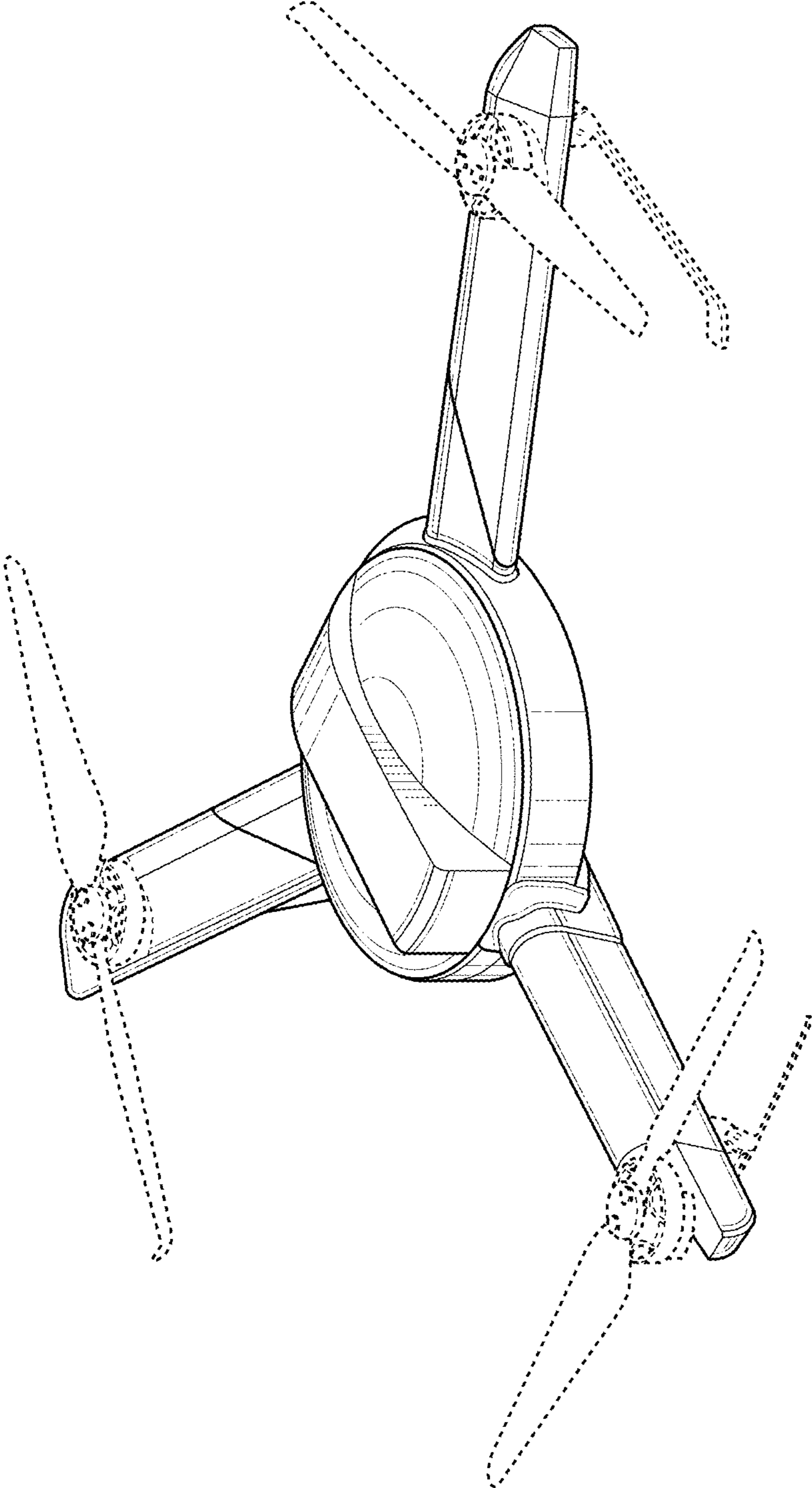


FIG. 5

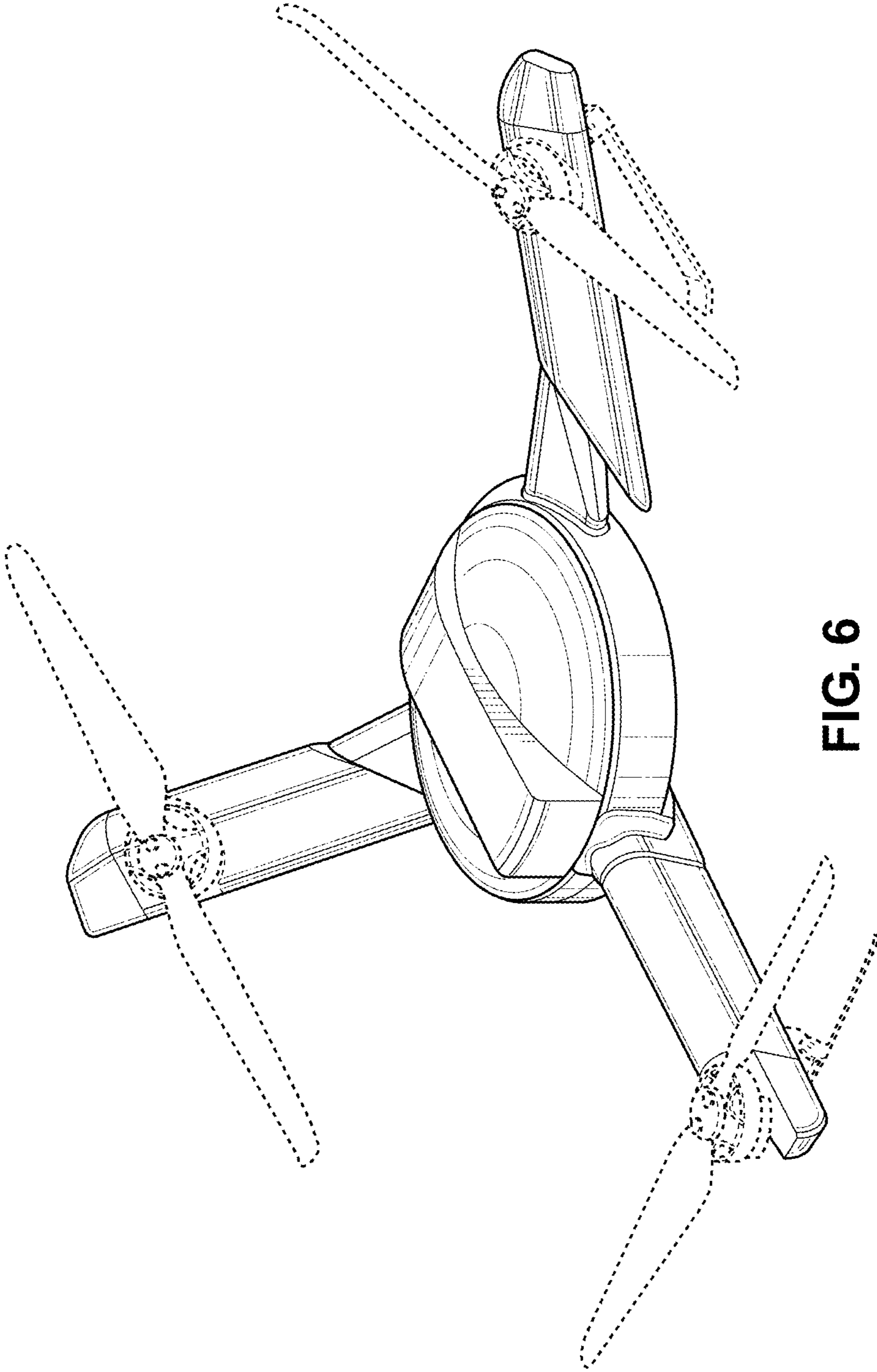


FIG. 6

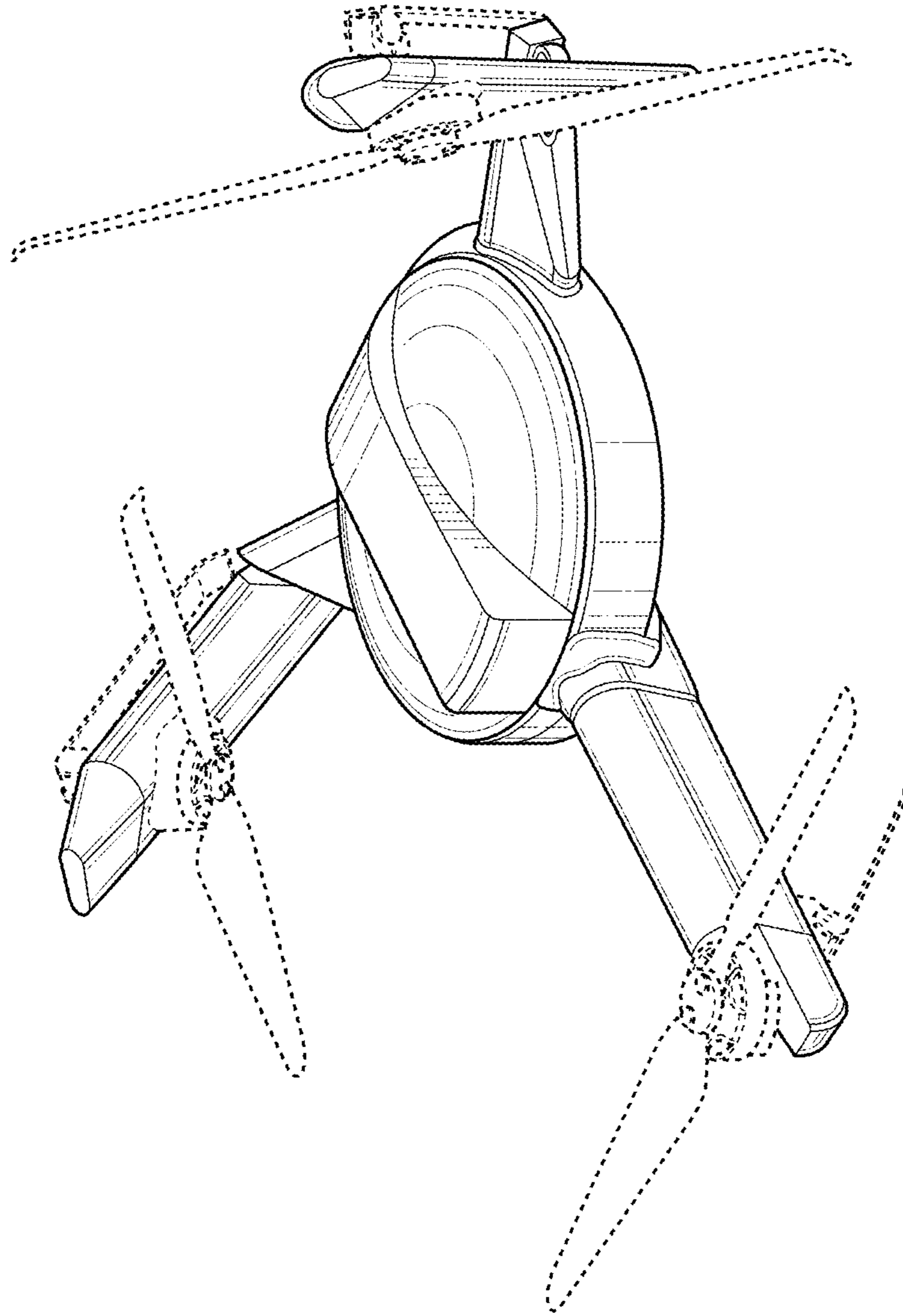


FIG. 7

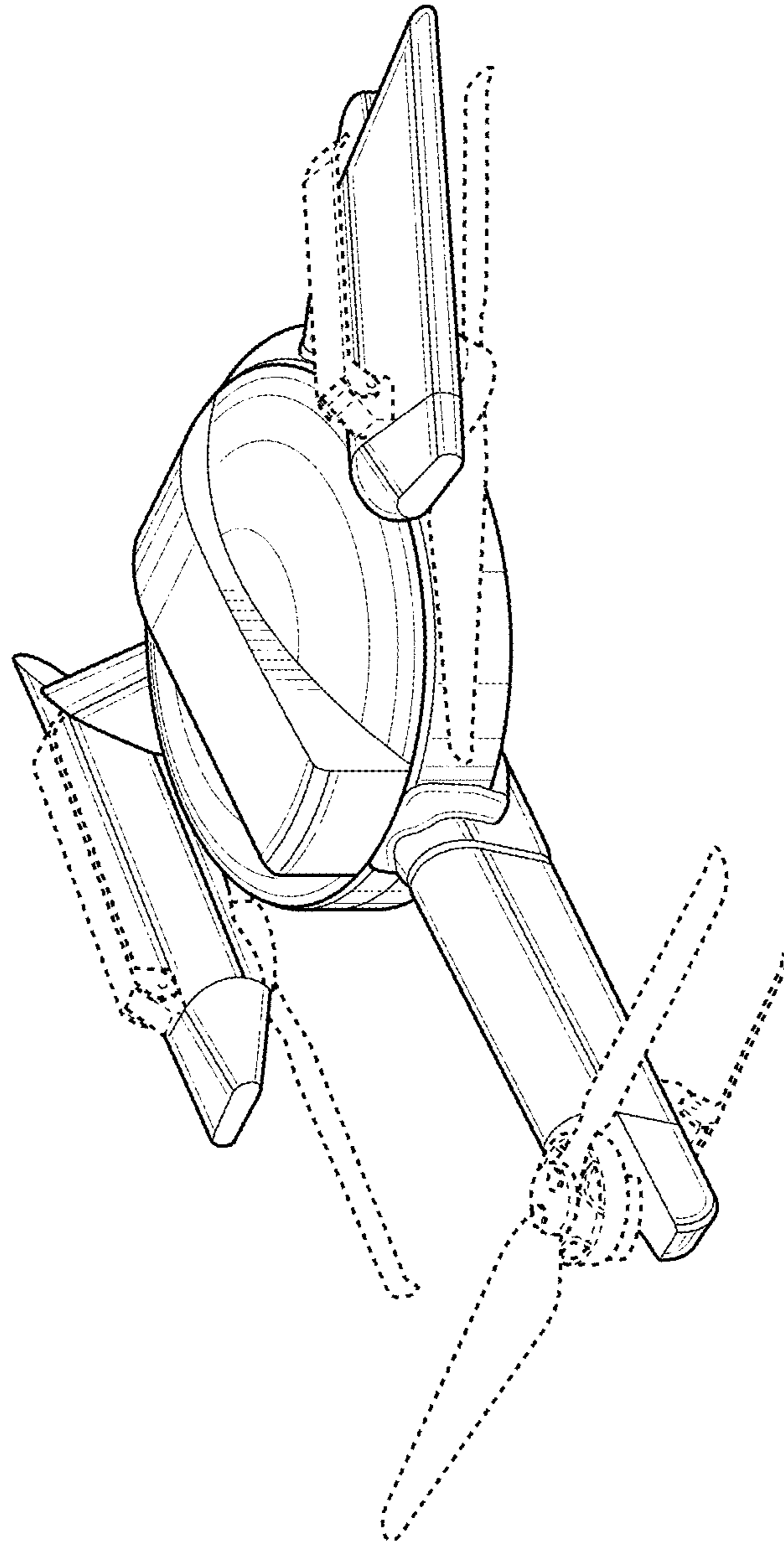


FIG. 8

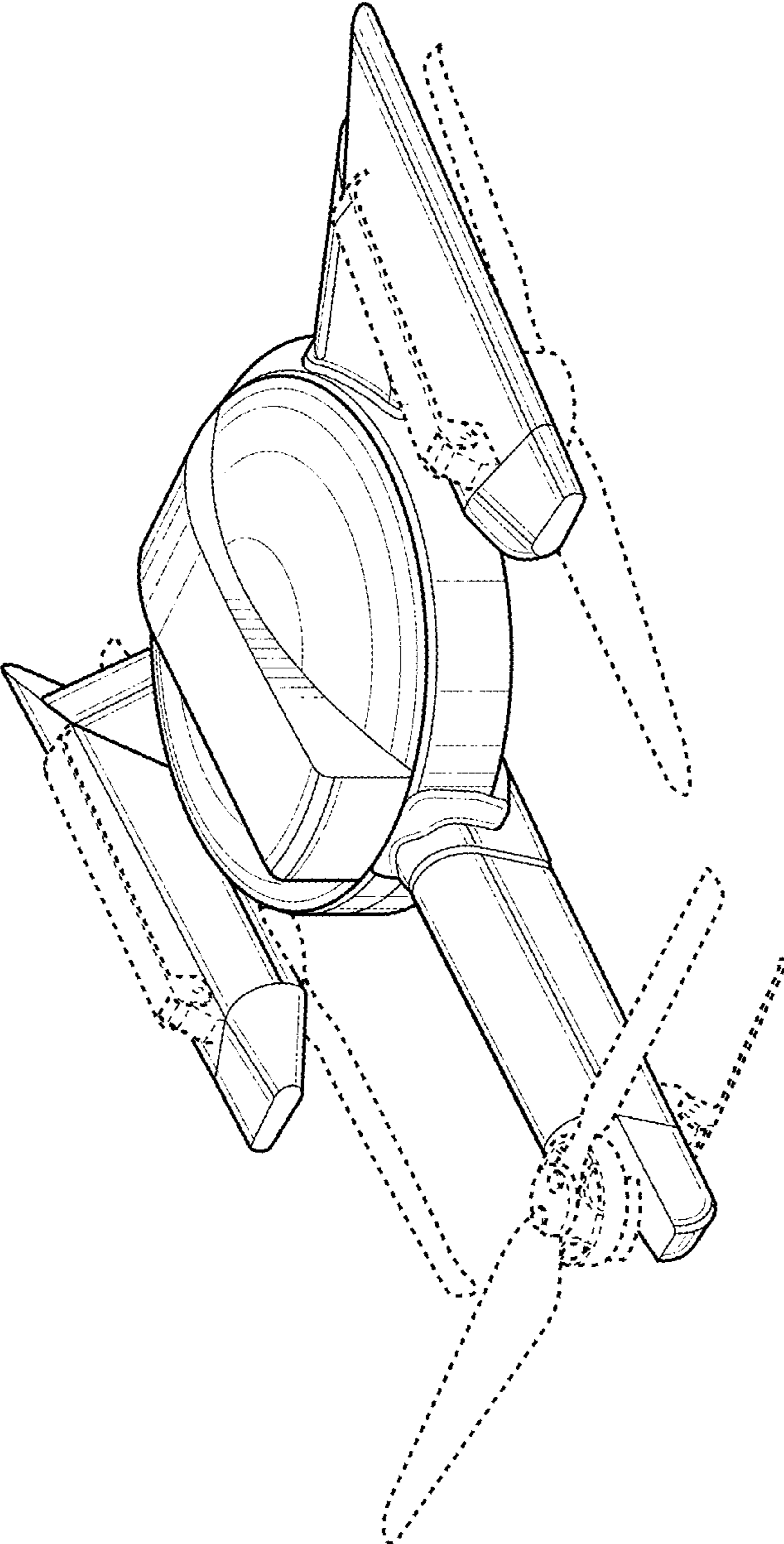


FIG. 9

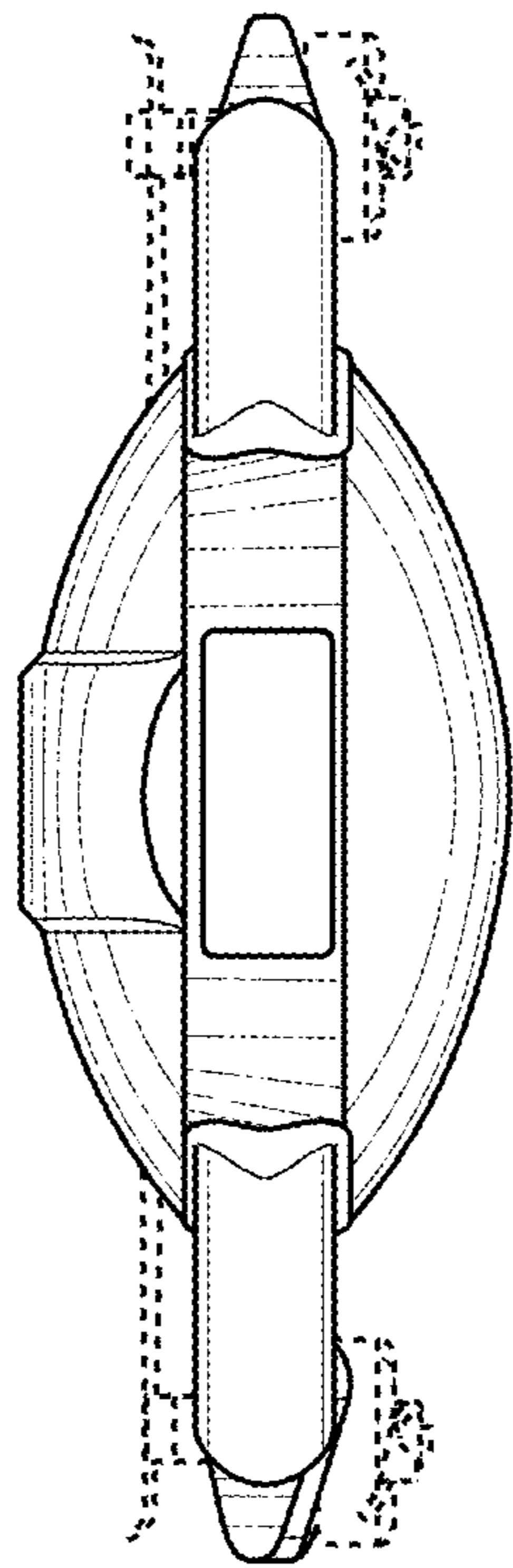


FIG. 10

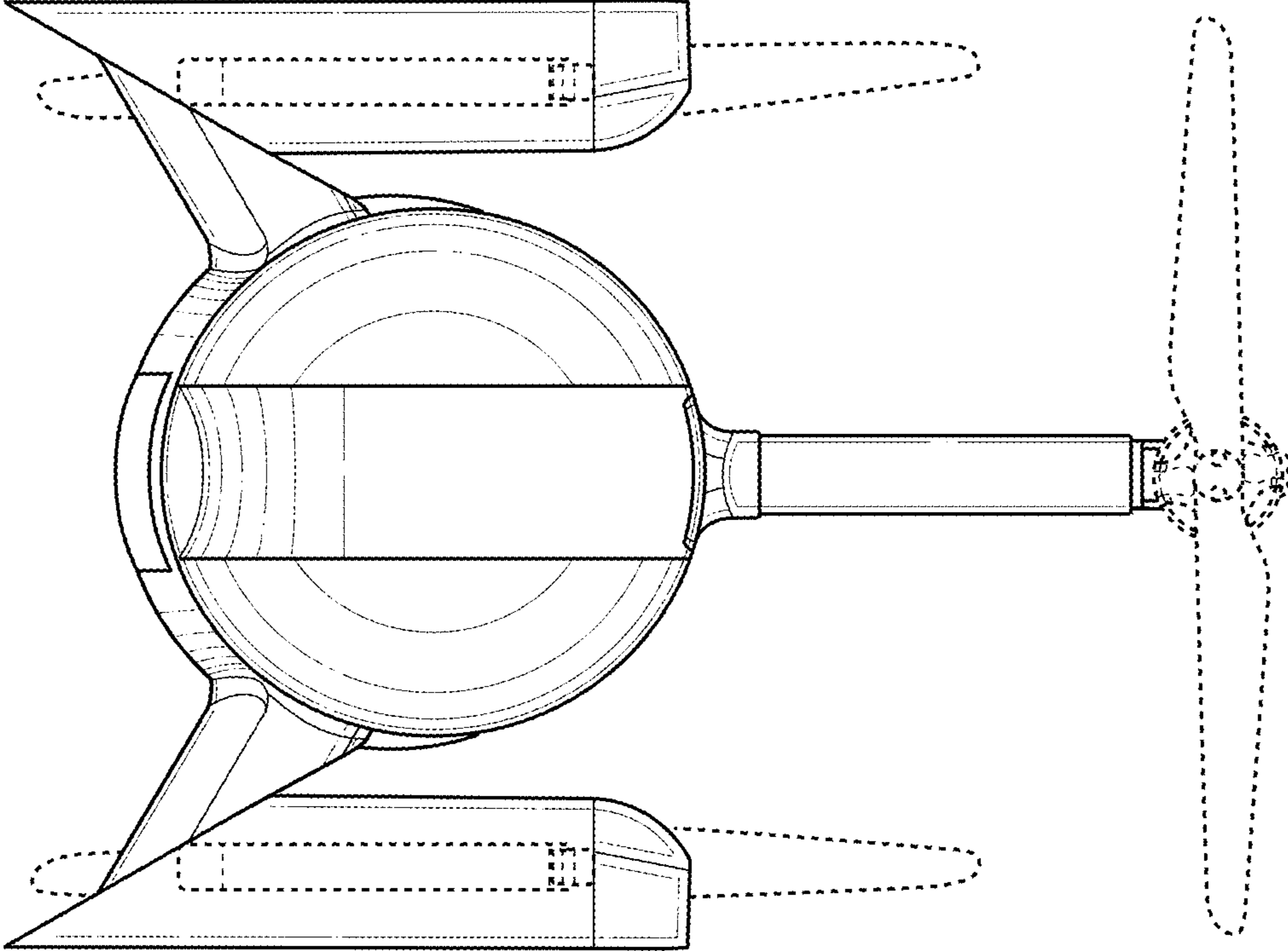


FIG. 11

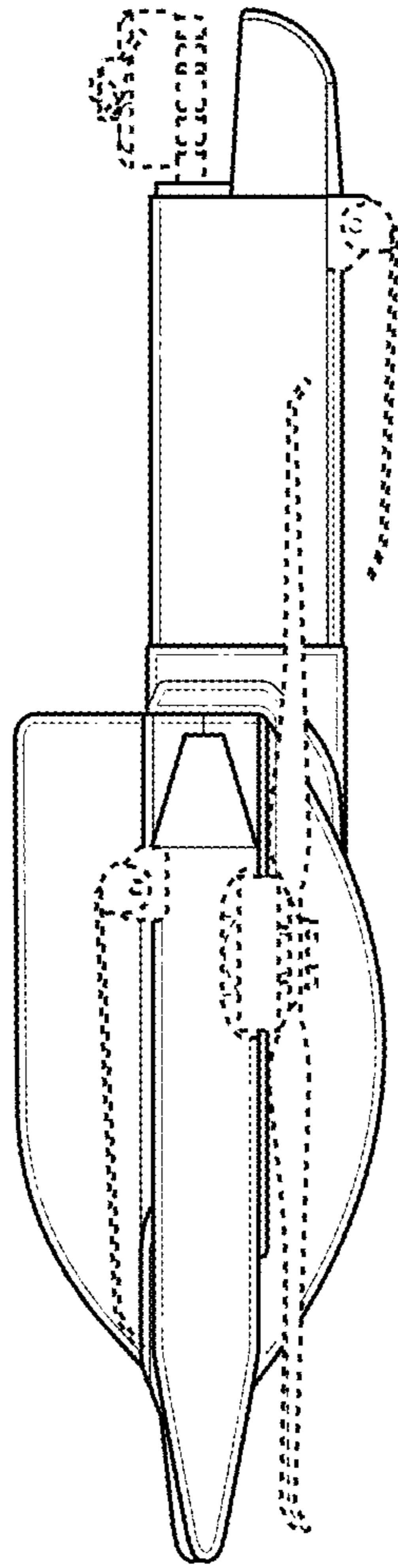


FIG. 12