



US00D806600S

(12) **United States Design Patent** (10) **Patent No.:** **US D806,600 S**
Amfitheatrof et al. (45) **Date of Patent:** **** Jan. 2, 2018**

(54) **JEWELRY CUFF**

(71) Applicant: **Tiffany and Company**, New York, NY (US)

(72) Inventors: **Francesca Amfitheatrof**, New York, NY (US); **Michal Dayan**, Brooklyn, NY (US); **Nina Martensson**, Juoksengi (SE); **Emily Morrow**, New York, NY (US); **Cary James**, Long Island City, NY (US)

(73) Assignee: **Tiffany and Company**, New York, NY (US)

(**) Term: **15 Years**

(21) Appl. No.: **29/600,459**

(22) Filed: **Apr. 12, 2017**

Related U.S. Application Data

(63) Continuation of application No. 29/502,725, filed on Sep. 18, 2014, now Pat. No. Des. 787,362.

(51) **LOC (11) Cl.** **02-07**

(52) **U.S. Cl.**
USPC **D11/4; D11/229**

(58) **Field of Classification Search**
USPC D11/202-203, 213, 222, 226, 229, 3, 4, D11/14, 26, 27, 30, 35, 60, 96, 120; 24/41.1, 42-47, 66.4, 66.6; 63/3, 15; D8/382-383; 362/103; 269/99; 434/160; D19/59; D34/35; D21/479-480

CPC A44C 5/01; A43B 1/0036; A44B 5/00; A44B 19/24; A44B 5/02; A44B 5/002; A41F 17/00; F16G 11/00; A63F 9/10; B05B 15/045; G09B 1/30; B25H 1/08

See application file for complete search history.

(56) **References Cited**

U.S. PATENT DOCUMENTS

D259,773 S *	7/1981	Sweet	428/3
4,888,797 A *	12/1989	Strait, Jr.	H01R 13/447 361/627
D337,412 S *	7/1993	Ruggles	D34/35
D365,781 S *	1/1996	Osborn	D11/96
D372,879 S *	8/1996	Partridge	D11/4
D402,570 S *	12/1998	Wright	D11/30
D440,516 S *	4/2001	Siemon	D11/26
D473,483 S *	4/2003	Hardy	D11/3
D479,488 S *	9/2003	Stewart-Stand	D11/226

(Continued)

Primary Examiner — Ian Simmons

Assistant Examiner — Mark Cavanna

(74) *Attorney, Agent, or Firm* — Fross Zelnick Lehrman & Zissu, P.C.; Charles T. J. Weigell, Esq.

(57) **CLAIM**

The ornamental design for a jewelry cuff, as shown and described.

DESCRIPTION

FIG. 1 is a front perspective view of a jewelry cuff showing my new design;

FIG. 2 is a front view of the jewelry cuff shown in FIG. 1;

FIG. 3 is a rear view of the jewelry cuff shown in FIG. 1;

FIG. 4 is a left side view of the jewelry cuff shown in FIG. 1;

FIG. 5 is a right side view of the jewelry cuff shown in FIG. 1;

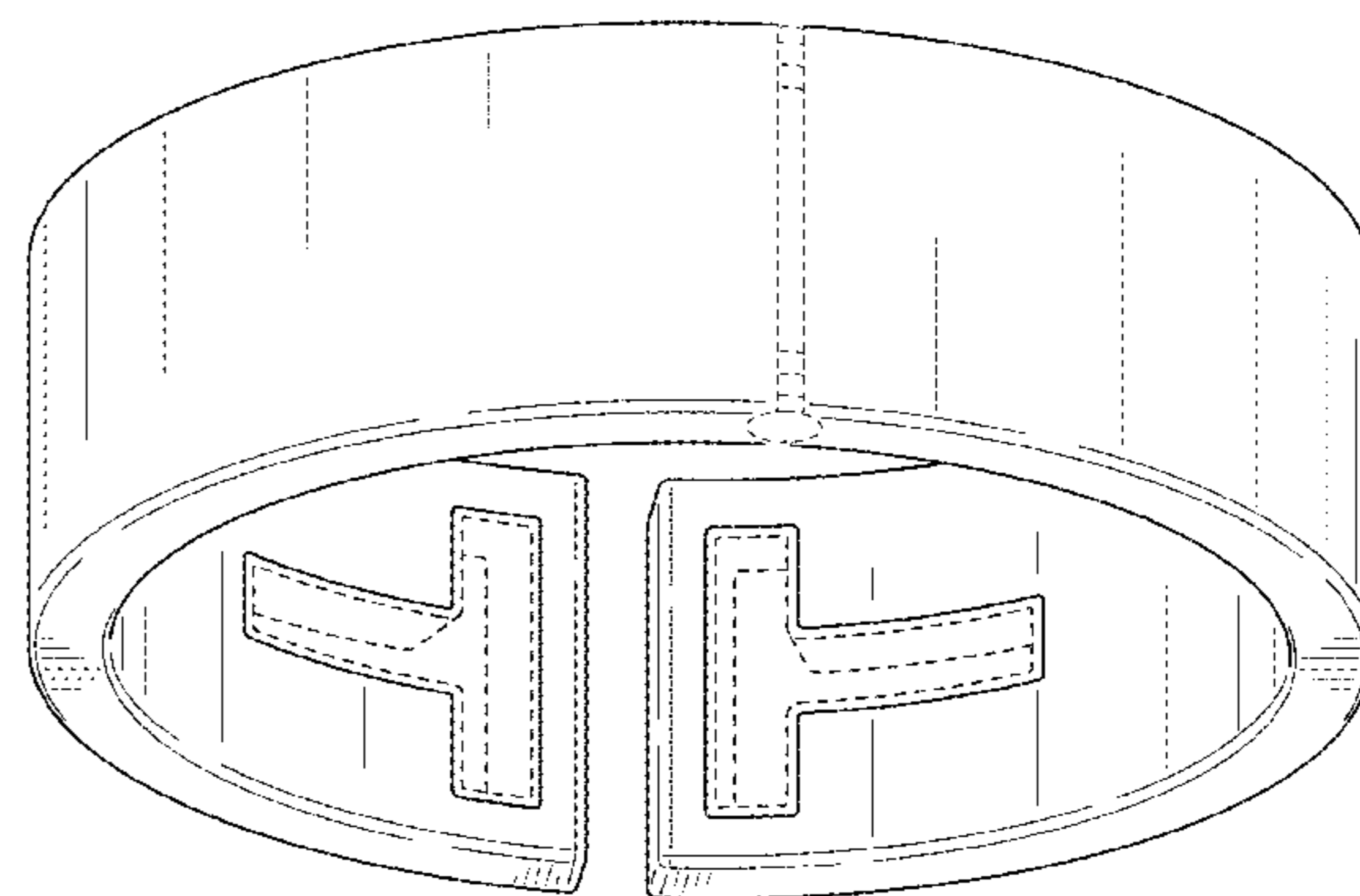
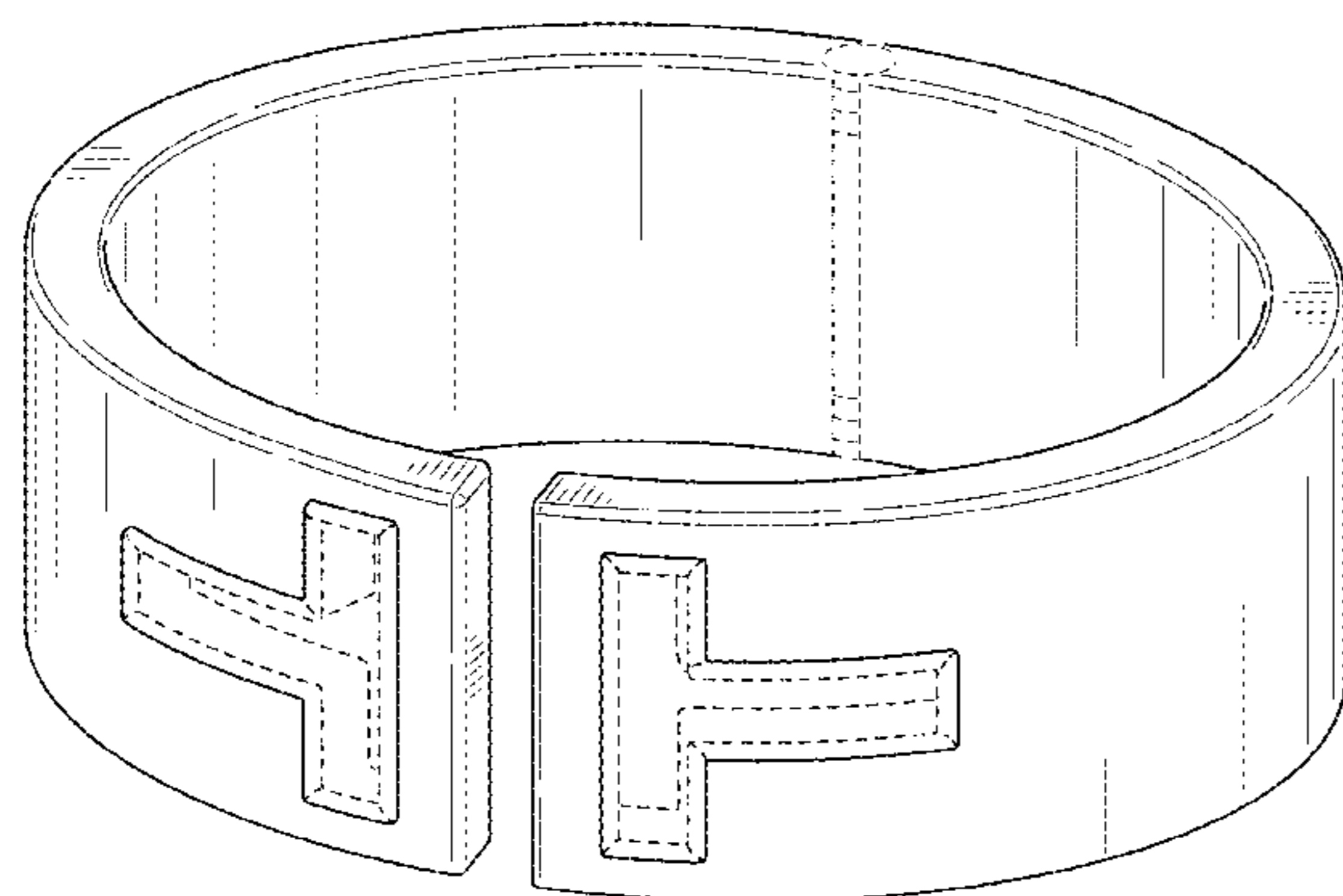
FIG. 6 is a top view of the jewelry cuff shown in FIG. 1;

FIG. 7 is a bottom view of the jewelry cuff shown in FIG. 1; and,

FIG. 8 is a bottom perspective view of the jewelry cuff shown in FIG. 1.

The broken lines depicting the hinge, pin, and portions of the jewelry cuff show unclaimed subject matter and form no part of the claimed design.

1 Claim, 6 Drawing Sheets



(56)

References Cited

U.S. PATENT DOCUMENTS

D505,353 S * 5/2005 Del Valle D11/3
D511,711 S * 11/2005 Steshik D11/96
D533,802 S * 12/2006 Thompson D11/27
D547,227 S * 7/2007 Del Valle D11/3
D551,584 S * 9/2007 Highfill D11/3
D552,003 S * 10/2007 Lecut D11/3
D561,643 S * 2/2008 Bruni D11/222
D565,450 S * 4/2008 Lebail D11/27
D567,143 S * 4/2008 Nicol D11/222
D591,633 S * 5/2009 Del Valle D11/3
D605,971 S * 12/2009 Esposito D11/60
D610,481 S * 2/2010 Sandberg D11/96
D634,665 S * 3/2011 Lagnese D11/60
D645,775 S * 9/2011 Adkins D11/3
D666,120 S * 8/2012 Austin D11/120
D666,935 S * 9/2012 Hernandez D11/3
D691,511 S * 10/2013 Macumber D11/96
D704,088 S * 5/2014 Farris D11/26
D718,171 S * 11/2014 Fakesch D11/3
D721,609 S * 1/2015 Duddy D11/3
D751,455 S * 3/2016 Bogetti D11/96
D757,591 S * 5/2016 Amfitheatrof D11/222
D757,592 S * 5/2016 Martensson D11/4
D778,199 S * 2/2017 Amfitheatrof D11/222
D778,761 S * 2/2017 Amfitheatrof D11/222

* cited by examiner

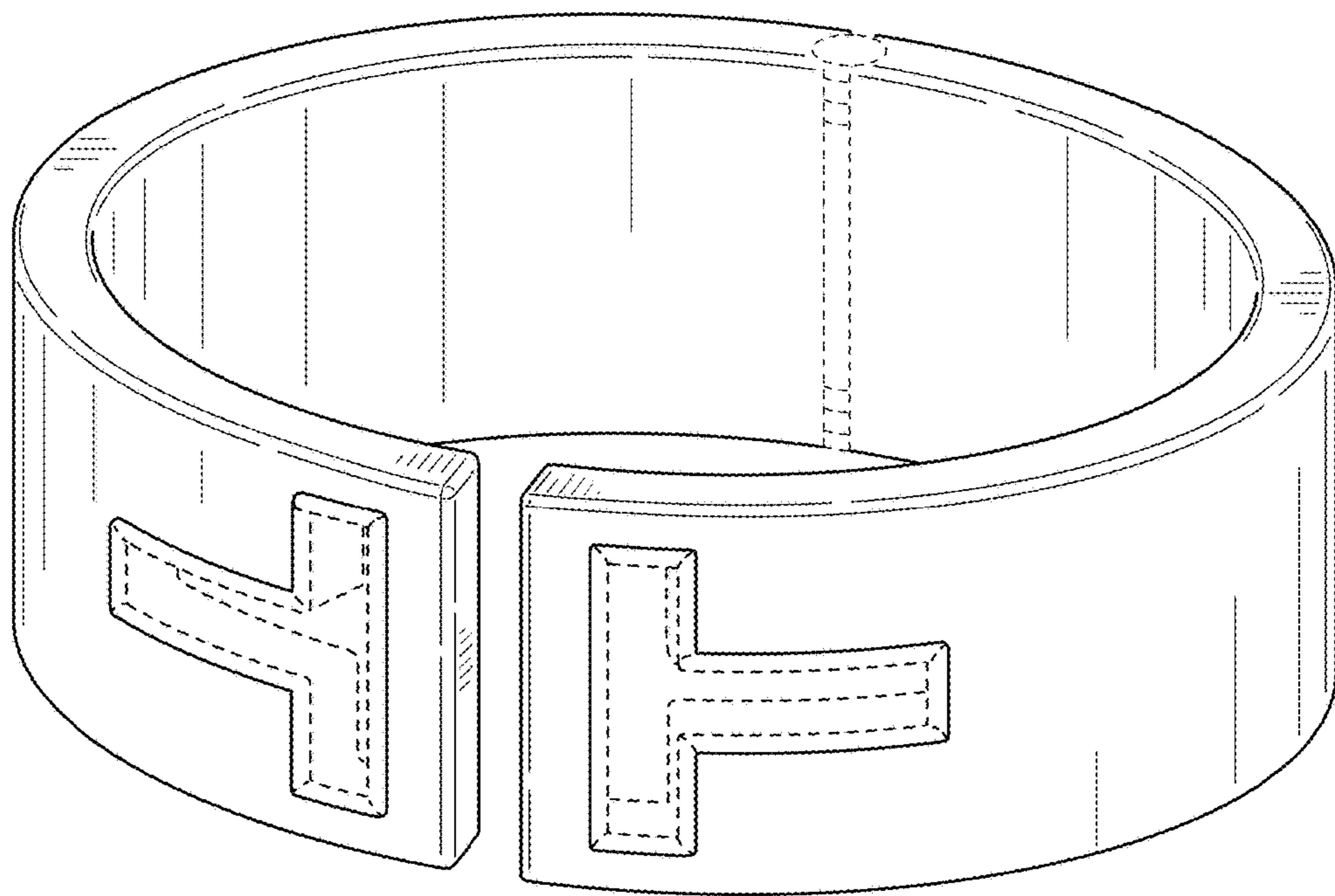


FIG. 1

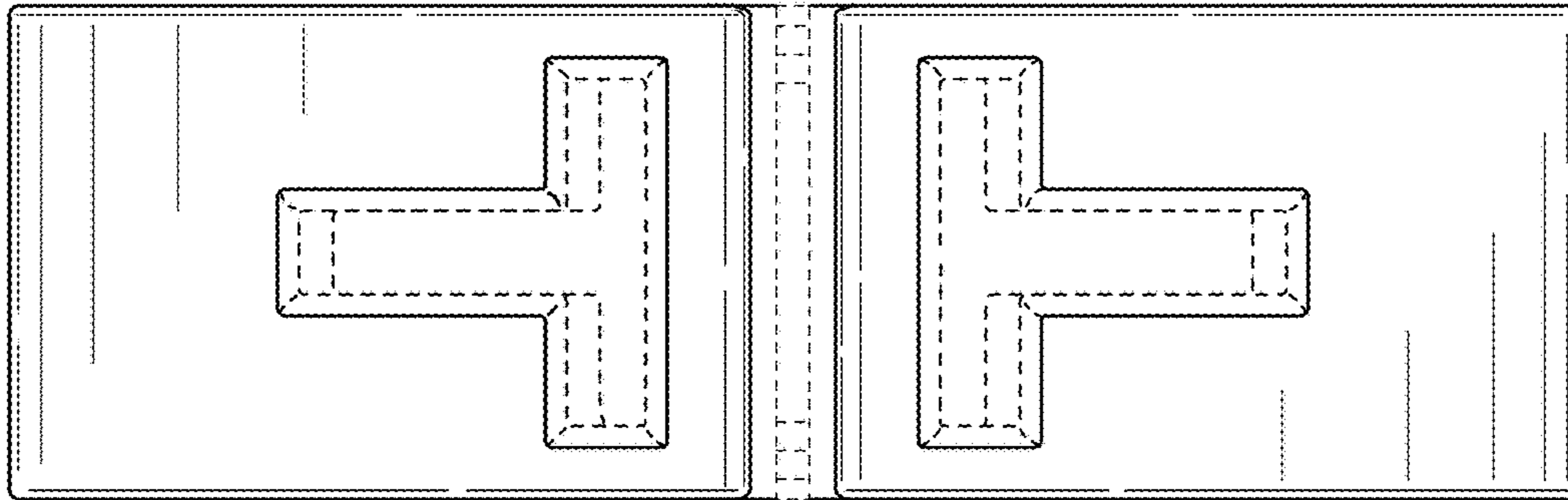


FIG. 2

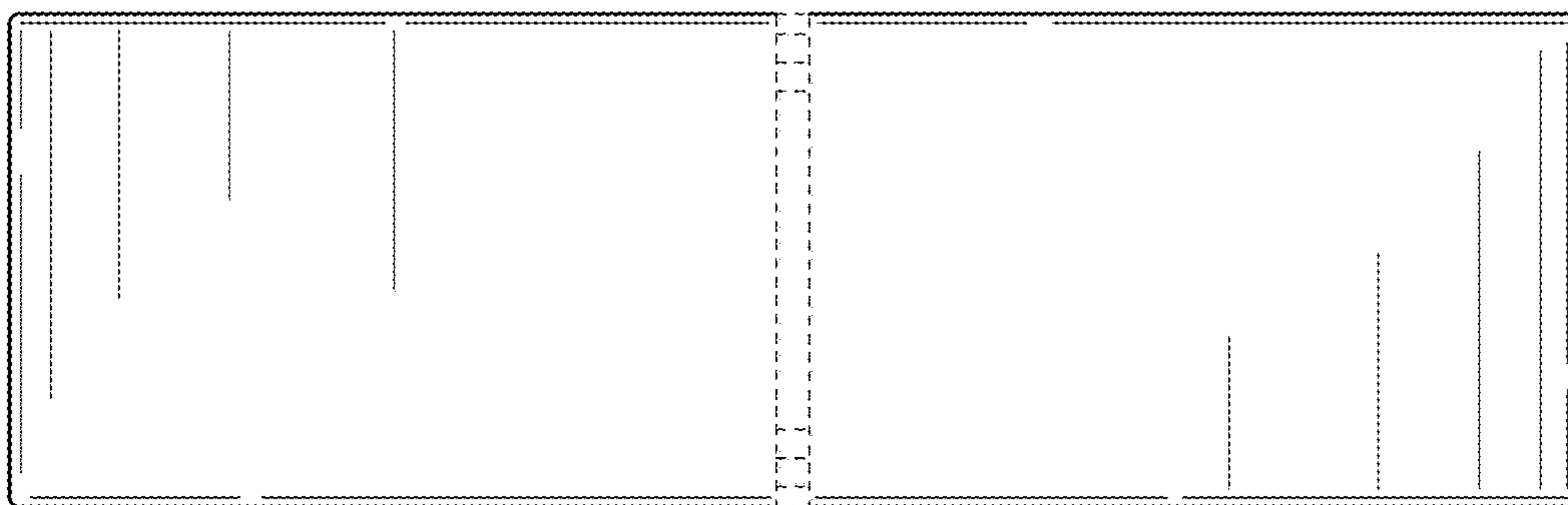


FIG. 3

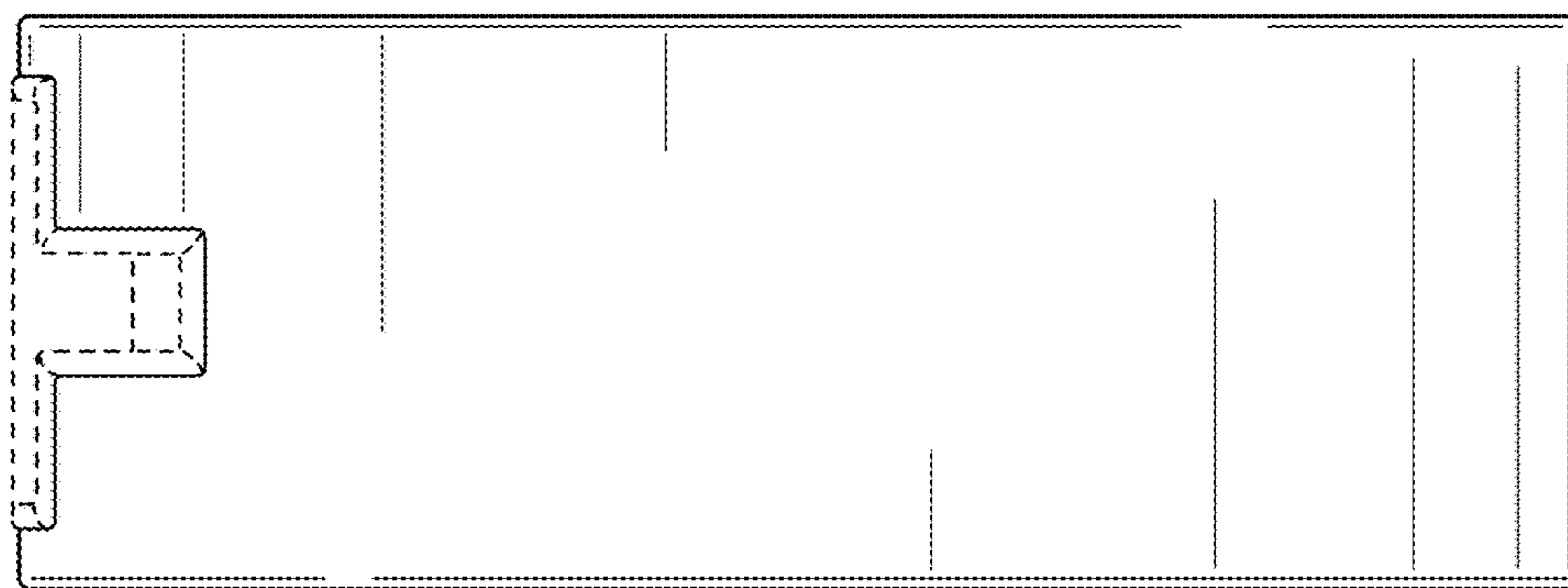


FIG. 4

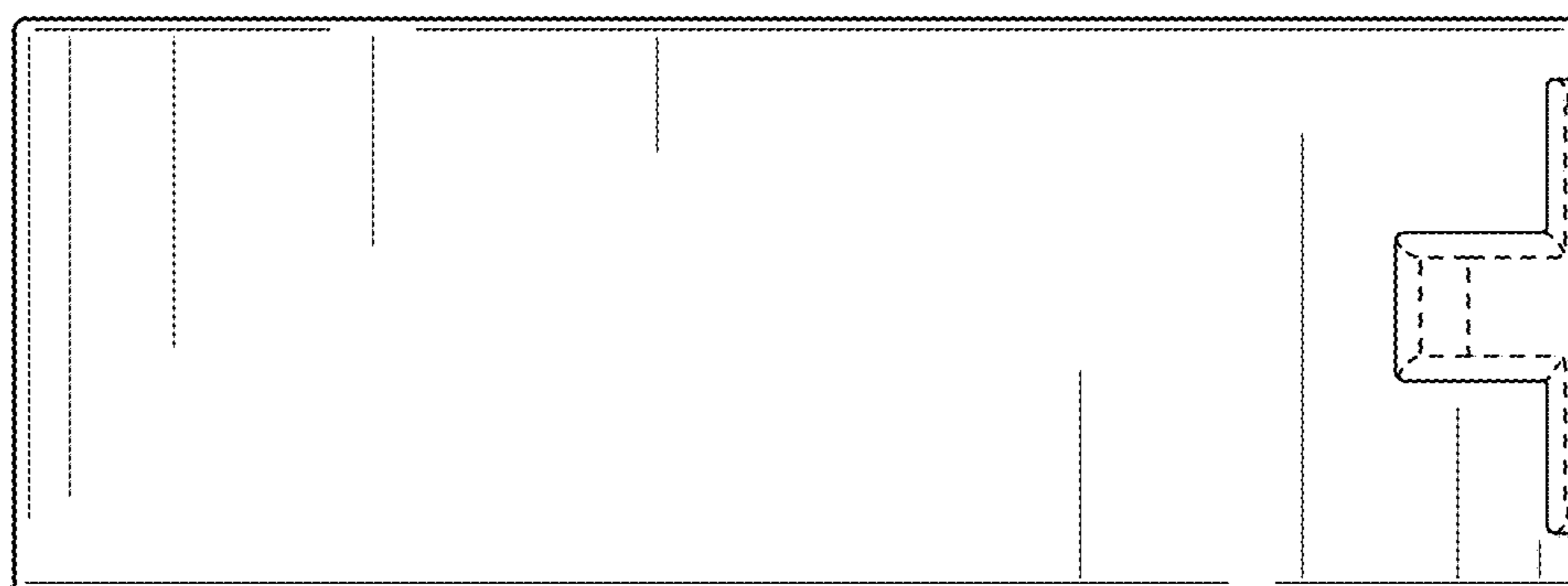


FIG. 5

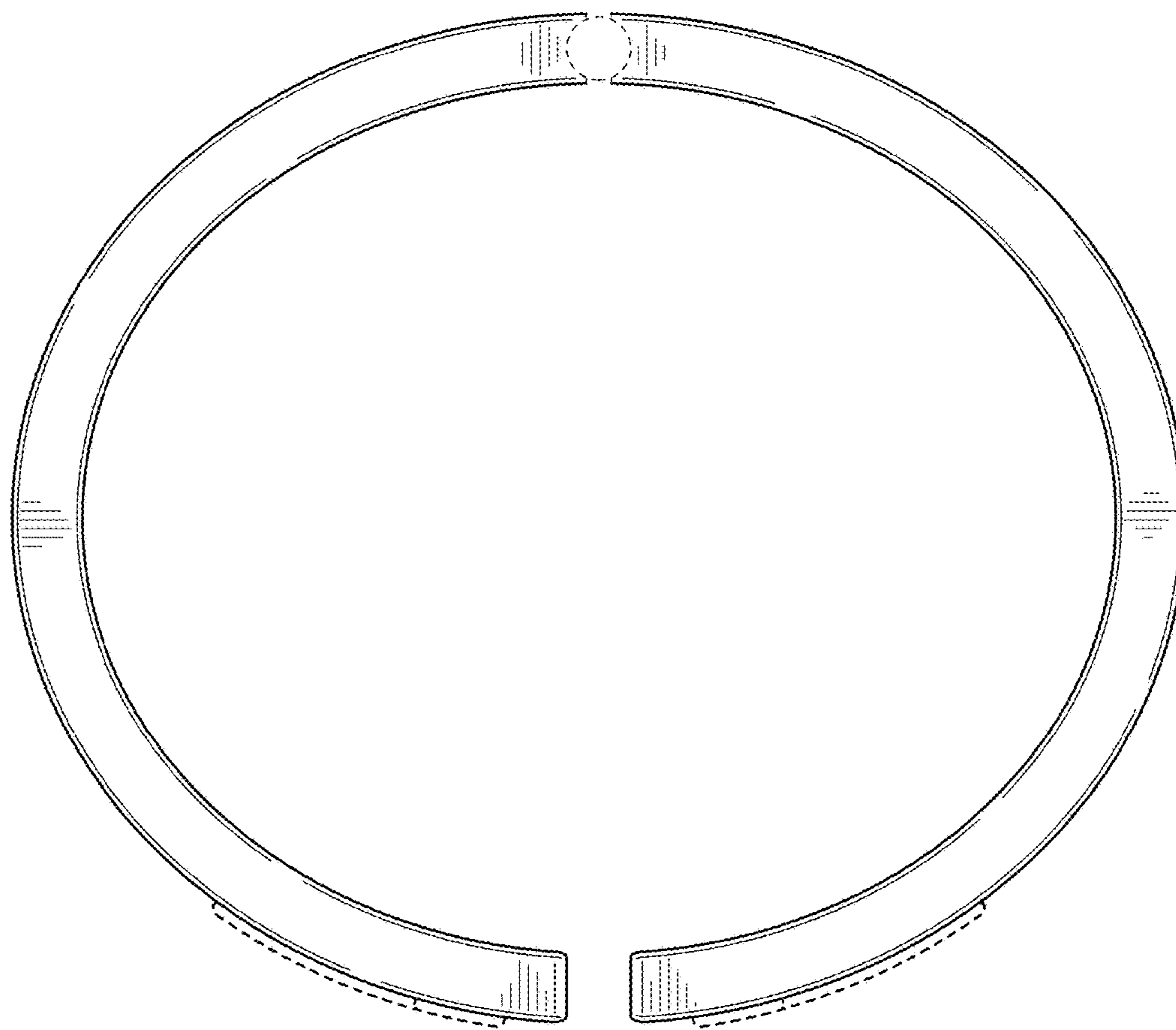


FIG. 6

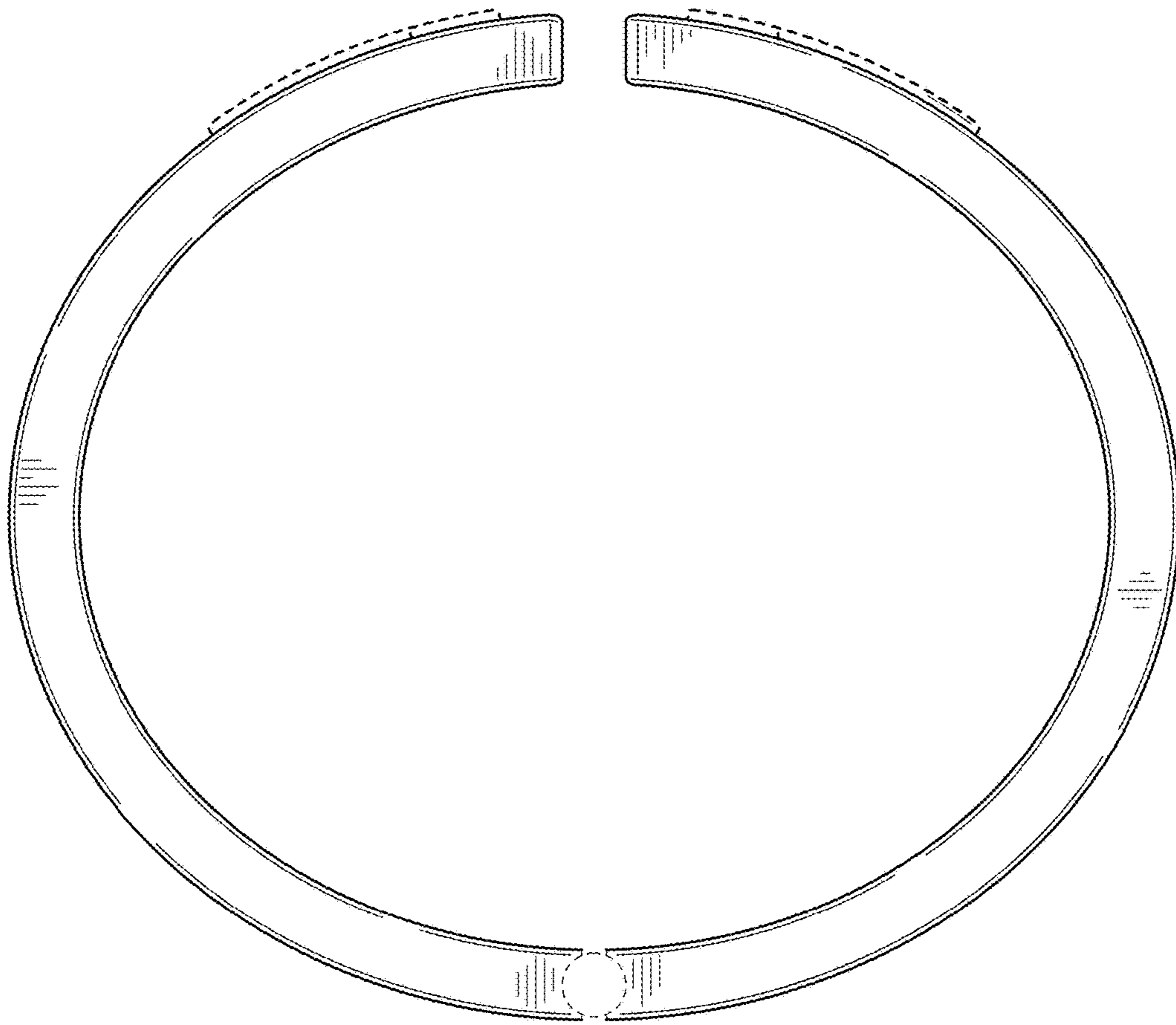


FIG. 7

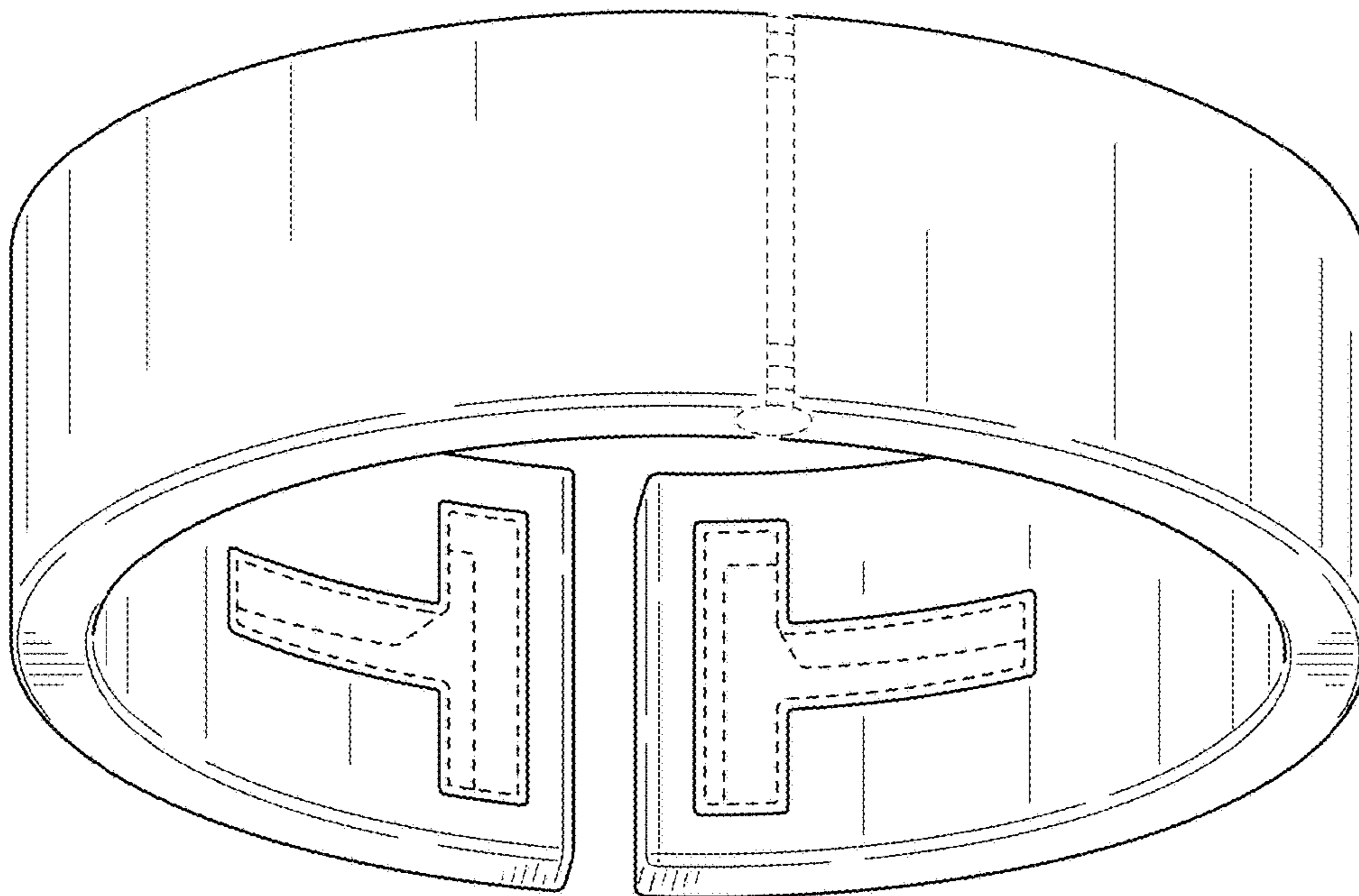


FIG. 8