



US00D806599S

(12) **United States Design Patent** (10) **Patent No.:** **US D806,599 S**  
**Nielsen et al.** (45) **Date of Patent:** **\*\* Jan. 2, 2018**

(54) **WRISTBAND FRAME FOR FITNESS MONITORING CAPSULE**

OTHER PUBLICATIONS

(71) Applicant: **Fitbit, Inc.**, San Francisco, CA (US)

U.S. Appl. No. 29/497,740, filed Jul. 28, 2014, Park et al.

(Continued)

(72) Inventors: **Jens Mitchell Nielsen**, San Francisco, CA (US); **Mark Manuel Martinez**, San Francisco, CA (US); **Keqing Li**, San Jose, CA (US); **Brad Daniel Brinson**, San Francisco, CA (US); **Gad Amit**, San Mateo, CA (US); **Daniel J. Clifton**, San Francisco, CA (US); **Erik Keith Askin**, San Francisco, CA (US)

*Primary Examiner* — Sandra Snapp

*Assistant Examiner* — Katherine Glennon

(74) *Attorney, Agent, or Firm* — Weaver Austin Villeneuve & Sampson LLP

(73) Assignee: **Fitbit, Inc.**, San Francisco, CA (US)

(57) **CLAIM**

We claim the ornamental design for a wristband frame for a fitness monitoring capsule, as shown and described.

(\*\*) Term: **15 Years**

(21) Appl. No.: **29/541,361**

**DESCRIPTION**

(22) Filed: **Oct. 2, 2015**

**Related U.S. Application Data**

(63) Continuation of application No. 29/537,616, filed on Aug. 27, 2015, now Pat. No. Des. 777,590.

(51) **LOC (11) Cl.** ..... **10-02**

(52) **U.S. Cl.**  
USPC ..... **D10/132**

(58) **Field of Classification Search**  
USPC ..... D10/30-39, 65, 70, 78, 97, 98; D11/3; D14/344; D24/167, 168, 186

(Continued)

(56) **References Cited**

**U.S. PATENT DOCUMENTS**

D141,753 S 7/1945 Du Bois  
2,656,673 A \* 10/1953 Mattson, Jr. .... G04B 23/12  
368/12

(Continued)

**FOREIGN PATENT DOCUMENTS**

CN 302903439 S 8/2014

**1 Claim, 3 Drawing Sheets**

FIG. 1 is a top view of a wristband frame for a fitness monitoring capsule; section planes are indicated for FIGS. 9-12.

FIG. 2 is a bottom view of the wristband frame of FIG. 1.

FIG. 3 is a left side view of the wristband frame of FIG. 1.

FIG. 4 is a right side view of the wristband frame of FIG. 1.

FIG. 5 is a rear view of the wristband frame of FIG. 1.

FIG. 6 is a front view of the wristband frame of FIG. 1.

FIG. 7 is an isometric view of the wristband frame of FIG. 1.

FIG. 8 is a bottom isometric view of the wristband frame of FIG. 1.

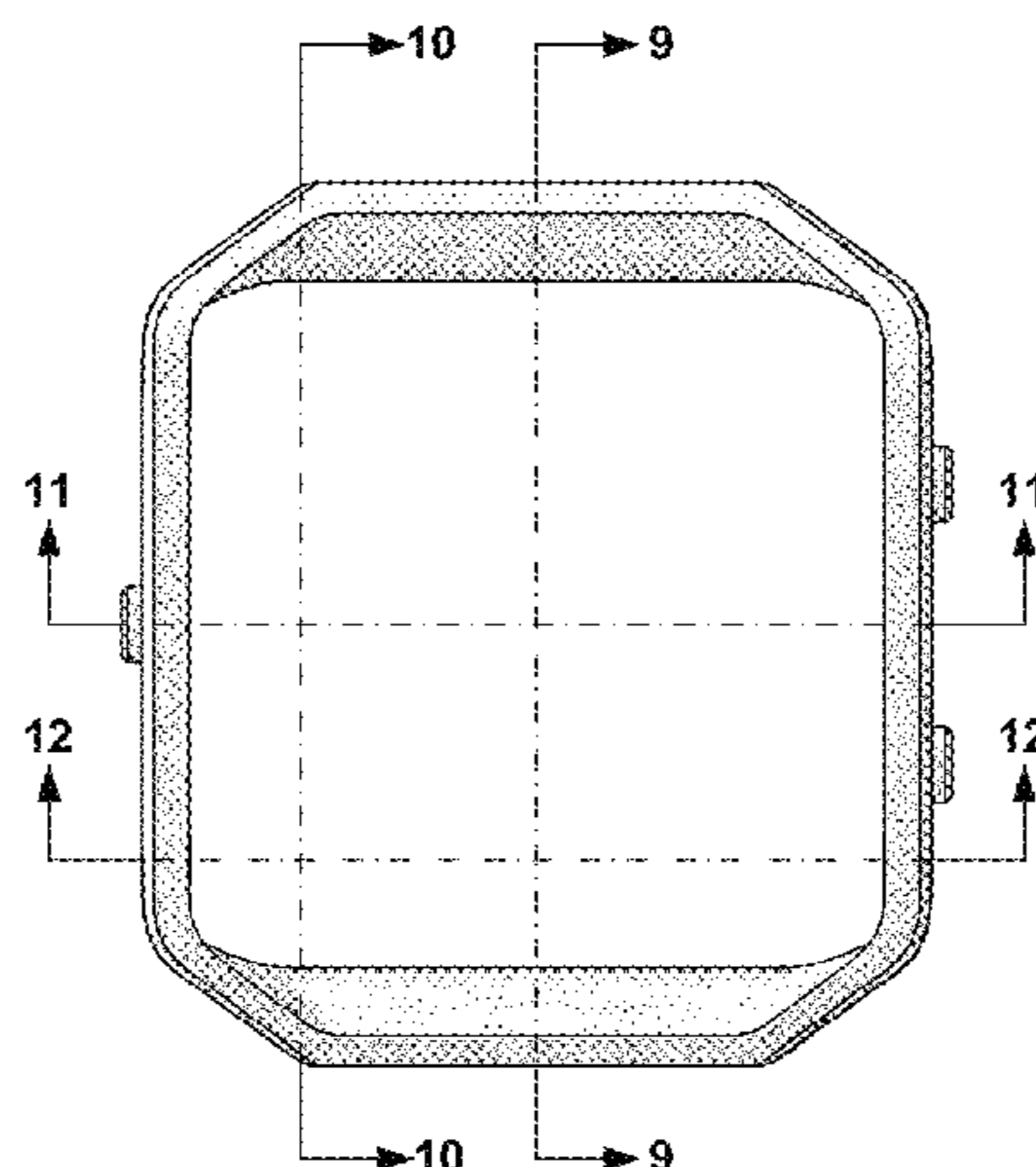
FIG. 9 is a section view of the wristband frame taken along lines 9-9 in FIG. 1.

FIG. 10 is a section view of the wristband frame taken along lines 10-10 in FIG. 1.

FIG. 11 is a section view of the wristband frame taken along lines 11-11 in FIG. 1; and,

FIG. 12 is a section view of the wristband frame taken along lines 12-12 in FIG. 1.

Stipple shading is used in the accompanying Figures to convey surface contouring, not texture. Dash-dot-dash lines are used to indicate section planes in FIG. 1.



(58) **Field of Classification Search**  
 CPC ..... G04B 19/00–19/34; G04B 23/12; G04B  
 37/00–37/228; G04B 47/00–47/068;  
 G01C 17/00; G01C 21/00–21/3697;  
 G01C 22/00–22/025; G06F 19/3481  
 See application file for complete search history.

(56) **References Cited**  
 U.S. PATENT DOCUMENTS

2,871,592 A 2/1959 Polzin  
 D272,759 S 2/1984 Koziol  
 D299,718 S 2/1989 Steer et al.  
 D305,422 S 1/1990 Steer et al.  
 D315,111 S 3/1991 Rogalski  
 D323,787 S 2/1992 Moorman  
 D331,020 S 11/1992 Ishii et al.  
 D400,112 S 10/1998 Rider  
 D445,041 S 7/2001 Tan et al.  
 D449,008 S 10/2001 Sargent  
 D455,093 S 4/2002 Fitzgerald  
 D471,471 S 3/2003 Fu et al.  
 D480,653 S 10/2003 Lo  
 6,738,317 B2 5/2004 Nussbaum  
 D517,441 S 3/2006 Heatherly et al.  
 D528,439 S 9/2006 Burton  
 D528,928 S 9/2006 Burton  
 D535,055 S 1/2007 Been et al.  
 D536,265 S 2/2007 Reynoso  
 D538,687 S 3/2007 Komulainen  
 D545,220 S 6/2007 Leung  
 D548,128 S 8/2007 Andren et al.  
 D549,602 S 8/2007 Oberrieder et al.  
 D550,105 S 9/2007 Oberrieder et al.  
 D550,112 S 9/2007 Andren et al.  
 D553,512 S 10/2007 Tang  
 D556,194 S 11/2007 Rambosek et al.  
 7,293,332 B2\* 11/2007 Maillard ..... A44C 5/14  
 24/265 B  
 7,311,526 B2 12/2007 Rohrbach et al.  
 D559,723 S 1/2008 Kraus et al.  
 D560,520 S 1/2008 Oberrieder et al.  
 D564,367 S 3/2008 Molyneux  
 D567,227 S 4/2008 Hada  
 D567,676 S 4/2008 Tang  
 D569,282 S 5/2008 Daniel  
 D573,905 S 7/2008 Poirier  
 D581,826 S 12/2008 Molyneux  
 D584,974 S 1/2009 Fukuda et al.  
 D586,673 S 2/2009 Kobayakawa  
 D586,674 S 2/2009 Solarewicz  
 D589,375 S 3/2009 Tang  
 7,529,155 B2 5/2009 Fasciano  
 D595,163 S 6/2009 Kim et al.  
 D595,858 S 7/2009 Kazel  
 D602,386 S 10/2009 Ueda et al.  
 D610,476 S 2/2010 Daniel  
 D630,582 S 1/2011 Dai et al.  
 D635,873 S 4/2011 Ogihara et al.  
 D637,094 S 5/2011 Cobbett et al.  
 D637,506 S 5/2011 Toyoshima et al.  
 D645,360 S 9/2011 Kiser et al.  
 D656,856 S 4/2012 Kleinberg  
 D664,880 S 8/2012 Cobbett et al.  
 D664,881 S 8/2012 Cobbett et al.  
 D664,882 S 8/2012 Cobbett et al.  
 D667,126 S 9/2012 Cho et al.  
 8,275,327 B2 9/2012 Yi et al.  
 D669,382 S 10/2012 Alvarez et al.  
 D669,383 S 10/2012 Cobbett et al.  
 D669,384 S 10/2012 Alvarez et al.  
 8,296,983 B2 10/2012 Padgett et al.  
 D670,583 S 11/2012 Shaanan  
 D671,858 S 12/2012 Cobbett et al.  
 D672,667 S 12/2012 Mix  
 D677,190 S 3/2013 Cobbett et al.  
 D680,020 S 4/2013 Cobbett et al.

D680,651 S \* 4/2013 Lumme ..... D24/167  
 8,408,436 B2 4/2013 Berry et al.  
 D682,718 S 5/2013 Azuma  
 D684,082 S 6/2013 Alvarez et al.  
 D684,497 S 6/2013 Cobbett et al.  
 8,568,313 B2 10/2013 Sadu  
 D693,251 S 11/2013 Anderssen et al.  
 D693,708 S 11/2013 Brigham  
 D700,083 S 2/2014 Brigham  
 D707,583 S 6/2014 Kalemos  
 8,776,418 B1 7/2014 Martinez et al.  
 D715,167 S 10/2014 Busse  
 D715,666 S 10/2014 Park et al.  
 D718,647 S 12/2014 Roush et al.  
 D720,249 S 12/2014 Park et al.  
 D720,635 S 1/2015 Park et al.  
 8,942,070 B1\* 1/2015 Shah ..... G04G 9/0064  
 368/223  
 D724,453 S 3/2015 Ogihara et al.  
 D725,510 S 3/2015 Henning  
 D725,528 S 3/2015 Parmigiani  
 8,967,437 B2\* 3/2015 Wilson ..... A45F 5/00  
 224/152  
 D726,062 S 4/2015 Silverstein  
 D727,183 S 4/2015 Park et al.  
 D727,759 S 4/2015 Martinez et al.  
 9,004,329 B2\* 4/2015 Hsieh ..... G04G 17/08  
 224/169  
 D729,237 S 5/2015 Fagnot  
 D729,453 S 5/2015 Provost et al.  
 D729,646 S 5/2015 Phillips et al.  
 D729,648 S 5/2015 Phillips et al.  
 D729,649 S 5/2015 Phillips et al.  
 D730,210 S 5/2015 Song  
 D731,482 S 6/2015 Song  
 D731,898 S 6/2015 Squires  
 D732,022 S 6/2015 Song  
 9,064,391 B2 6/2015 Vardi et al.  
 D733,706 S 7/2015 Song  
 D735,191 S 7/2015 Song  
 D738,236 S 9/2015 Song  
 D738,237 S 9/2015 Song  
 D738,372 S 9/2015 Song  
 9,122,250 B2 9/2015 Hoffman et al.  
 D740,693 S \* 10/2015 Carmichael ..... D10/32  
 D740,807 S 10/2015 Daniel  
 D741,726 S 10/2015 Akana et al.  
 D742,373 S 11/2015 Ji et al.  
 D743,820 S 11/2015 Song  
 9,189,023 B2 11/2015 Lim  
 D744,869 S 12/2015 Dallmeyer et al.  
 D745,009 S 12/2015 Jensen  
 D745,513 S 12/2015 Jung et al.  
 D745,868 S 12/2015 Choi et al.  
 D746,702 S \* 1/2016 Galli ..... D10/30  
 D746,776 S 1/2016 Park et al.  
 D747,313 S 1/2016 Song  
 D747,714 S 1/2016 Erbeus  
 D749,002 S 2/2016 Park et al.  
 D749,569 S 2/2016 Ji et al.  
 D750,622 S 3/2016 Chen et al.  
 D751,069 S 3/2016 Choi et al.  
 D751,452 S 3/2016 Henning  
 D752,043 S 3/2016 Ji et al.  
 D752,046 S 3/2016 Jun  
 D752,578 S 3/2016 Ji et al.  
 D758,234 S \* 6/2016 Riddiford ..... D11/3  
 D759,516 S 6/2016 Ling et al.  
 D759,523 S 6/2016 Ling et al.  
 D759,622 S 6/2016 Dahlberg  
 D759,826 S 6/2016 Martinez et al.  
 D761,675 S 7/2016 Thaveprungriporn et al.  
 D762,210 S 7/2016 Lee et al.  
 D763,107 S 8/2016 Nielsen et al.  
 D763,719 S \* 8/2016 Nielsen ..... D11/3  
 D766,758 S 9/2016 Park et al.  
 D768,028 S 10/2016 Ling et al.  
 D777,590 S \* 1/2017 Nielsen ..... D10/39  
 D781,738 S \* 3/2017 Lee ..... D10/132

(56)

References Cited

U.S. PATENT DOCUMENTS

D784,325	S *	4/2017	Kim	.....	D14/341
D784,327	S *	4/2017	Akana	.....	D10/31
D784,831	S *	4/2017	Akana	.....	D10/38
D790,994	S *	7/2017	Nielsen	.....	D10/39
2005/0237704	A1	10/2005	Ceresoli		
2006/0203621	A1	9/2006	Brodmann		
2010/0162472	A1	7/2010	Abraham		
2010/0311544	A1	12/2010	Robinette et al.		
2013/0273770	A1	10/2013	Pong		
2013/0329324	A1	12/2013	Tziviskos et al.		
2014/0107493	A1	4/2014	Yuen et al.		
2014/0156196	A1	6/2014	Martinez et al.		
2014/0180019	A1	6/2014	Martinez et al.		
2014/0275854	A1	9/2014	Venkatraman et al.		
2014/0316305	A1	10/2014	Venkatraman et al.		
2015/0186609	A1*	7/2015	Utter, II	.....	A61B 5/0022 600/301
2015/0333302	A1*	11/2015	Johns	.....	H01M 2/1066 429/127
2016/0183390	A1*	6/2016	Yang	.....	G04B 37/08 361/679.01
2016/0220865	A1*	8/2016	Seo	.....	G06F 1/163

OTHER PUBLICATIONS

U.S. Appl. No. 29/500,837, filed Aug. 28, 2014, Martinez et al.  
 U.S. Appl. No. 29/520,607, filed Mar. 16, 2015, Ling et al.  
 U.S. Appl. No. 29/521,264, filed Mar. 20, 2015, Ling et al.  
 U.S. Appl. No. 29/524,019, filed Apr. 15, 2015, Ling et al.  
 U.S. Appl. No. 29/524,025, filed Apr. 15, 2015, Ling et al.  
 U.S. Appl. No. 29/524,027, filed Apr. 15, 2015, Ling et al.  
 U.S. Appl. No. 29/524,028, filed Apr. 15, 2015, Ling et al.  
 U.S. Appl. No. 29/537,616, filed Aug. 27, 2015, Nielsen et al.  
 U.S. Appl. No. 29/541,365, filed Oct. 2, 2015, Nielsen et al.  
 U.S. Appl. No. 29/541,368, filed Oct. 2, 2015, Nielsen et al.  
 U.S. Appl. No. 29/553,318, filed Jan. 29, 2016, Ling et al.  
 U.S. Appl. No. 29/553,921, filed Feb. 5, 2016, Nielsen et al.  
 U.S. Appl. No. 29/563,187, filed May 3, 2016, Ling et al.  
 U.S. Appl. No. 29/563,190, filed May 3, 2016, Ling et al.  
 U.S. Appl. No. 29/563,191, filed May 3, 2016, Ling et al.  
 U.S. Appl. No. 29/563,192, filed May 3, 2016, Lowe et al.  
 U.S. Appl. No. 29/563,195, filed May 3, 2016, Lowe et al.  
 U.S. Appl. No. 29/563,198, filed May 3, 2016, Lowe et al.  
 U.S. Appl. No. 29/563,201, filed May 3, 2016, Lowe et al.  
 U.S. Appl. No. 29/563,922, filed May 9, 2016, Paschke et al.  
 U.S. Appl. No. 29/565,818, filed May 24, 2016, Page et al.  
 U.S. Appl. No. 29/568,027, filed Jun. 14, 2016, Paschke et al.  
 U.S. Appl. No. 29/568,607, filed Jun. 20, 2016, Paschke et al.  
 U.S. Appl. No. 29/569,701, filed Jun. 29, 2016, Nielsen et al.  
 U.S. Appl. No. 29/571,687, filed Jul. 20, 2016, Lean et al.  
 U.S. Appl. No. 29/572,962, filed Aug. 1, 2016, Lean et al.  
 U.S. Appl. No. 29/572,967, filed Aug. 1, 2016, Lean et al.  
 U.S. Appl. No. 29/575,838, filed Aug. 29, 2016, Lean et al.  
 U.S. Appl. No. 29/579,649, filed Sep. 30, 2016, Lean et al.  
 U.S. Appl. No. 29/585,891, filed Nov. 29, 2016, Nielsen et al.  
 U.S. Office Action, dated Aug. 4, 2014, now U.S. Appl. No. 29/468,506.  
 U.S. Notice of Allowance, dated Oct. 24, 2014, now U.S. Appl. No. 29/468,506.  
 U.S. Notice of Allowance, dated Aug. 15, 2014, now U.S. Appl. No. 29/468,517.  
 U.S. Office Action, dated Jun. 5, 2015, now U.S. Appl. No. 29/468,522.

U.S. Notice of Allowance, dated Oct. 9, 2015, now U.S. Appl. No. 29/468,522.  
 U.S. Notice of Allowance, dated Oct. 9, 2015 now U.S. Appl. No. 29/497,740.  
 U.S. Office Action [Ex Parte Quayle], dated May 10, 2016 now U.S. Appl. No. 29/549,341.  
 U.S. Notice of Allowance [Notice of Allowability], dated Jul. 22, 2016 now U.S. Appl. No. 29/549,341.  
 U.S. Notice of Allowance, dated Jan. 7, 2015, now U.S. Appl. No. 29/498,195.  
 U.S. Notice of Allowance [Corrected Notice of Allowability for a Design Application], dated Feb. 10, 2015, now U.S. Appl. No. 29/498,195.  
 U.S. Notice of Allowance, dated Jan. 7, 2015, now U.S. Appl. No. 29/499,065.  
 U.S. Notice of Allowance [Corrected Notice of Allowability for a Design Application], dated Feb. 10, 2015, now U.S. Appl. No. 29/499,065.  
 U.S. Office Action, dated Sep. 25, 2015, now U.S. Appl. No. 29/500,837.  
 U.S. Notice of Allowance, dated Mar. 28, 2016, now U.S. Appl. No. 29/500,837.  
 U.S. Notice of Allowance dated May 11, 2016, now U.S. Appl. No. 29/500,837.  
 U.S. Notice of Allowance, dated Feb. 4, 2016, now U.S. Appl. No. 29/520,607.  
 U.S. Notice of Allowance, dated Mar. 4, 2016, now U.S. Appl. No. 29/521,264.  
 U.S. Notice of Allowance, dated Apr. 14, 2016, now U.S. Appl. No. 29/524,025.  
 U.S. Notice of Allowance, dated Aug. 3, 2016, now U.S. Appl. No. 29/524,028.  
 U.S. Notice of Allowance, dated Oct. 11, 2016, now U.S. Appl. No. 29/537,616.  
 U.S. Notice of Allowance, dated Apr. 14, 2016, now U.S. Appl. No. 29/541,358.  
 U.S. Notice of Allowance, dated Apr. 13, 2016, now U.S. Appl. No. 29/541,364.  
 U.S. Notice of Allowance [Corrected Notice of Allowability], dated May 31, 2016, now U.S. Appl. No. 29/541,364.  
 Fitbit Flex Wireless Activity+ Sleep Wristband, Amazon.com, first reviewed on Apr. 16, 2013 only. Site visited Jul. 22, 2014. Internet URL:<“<http://www.amazon.com/Fitbit-Wireless-Activity-Sleep-Wristband/dp/B00BGO0Q90/ref=cmcrprproducttop>”>, 1 page.  
 U.S. Notice of Allowance, dated Aug. 9, 2017, issued in U.S. Appl. No. 29/524,019.  
 U.S. Notice of Allowance, dated Oct. 24, 2017, issued in U.S. Appl. No. 29/585,891.  
 U.S. Notice of Allowance, dated Sep. 28, 2017, issued in U.S. Appl. No. 29/563,187.  
 U.S. Notice of Allowance, dated Sep. 25, 2017, issued in U.S. Appl. No. 29/563,190.  
 U.S. Office Action, dated Sep. 22, 2017, issued in U.S. Appl. No. 29/563,192.  
 U.S. Notice of Allowance dated Aug. 25, 2017, issued in U.S. Appl. No. 29/563,201.  
 U.S. Office Action dated Aug. 24, 2017, issued in U.S. Appl. No. 29/568,027.  
 U.S. Office Action dated Aug. 24, 2017, issued in U.S. Appl. No. 29/568,607.  
 U.S. Office Action dated Oct. 5, 2017, issued in U.S. Appl. No. 29/575,838.  
 U.S. Office Action dated Oct. 5, 2017, issued in U.S. Appl. No. 29/579,649.

\* cited by examiner

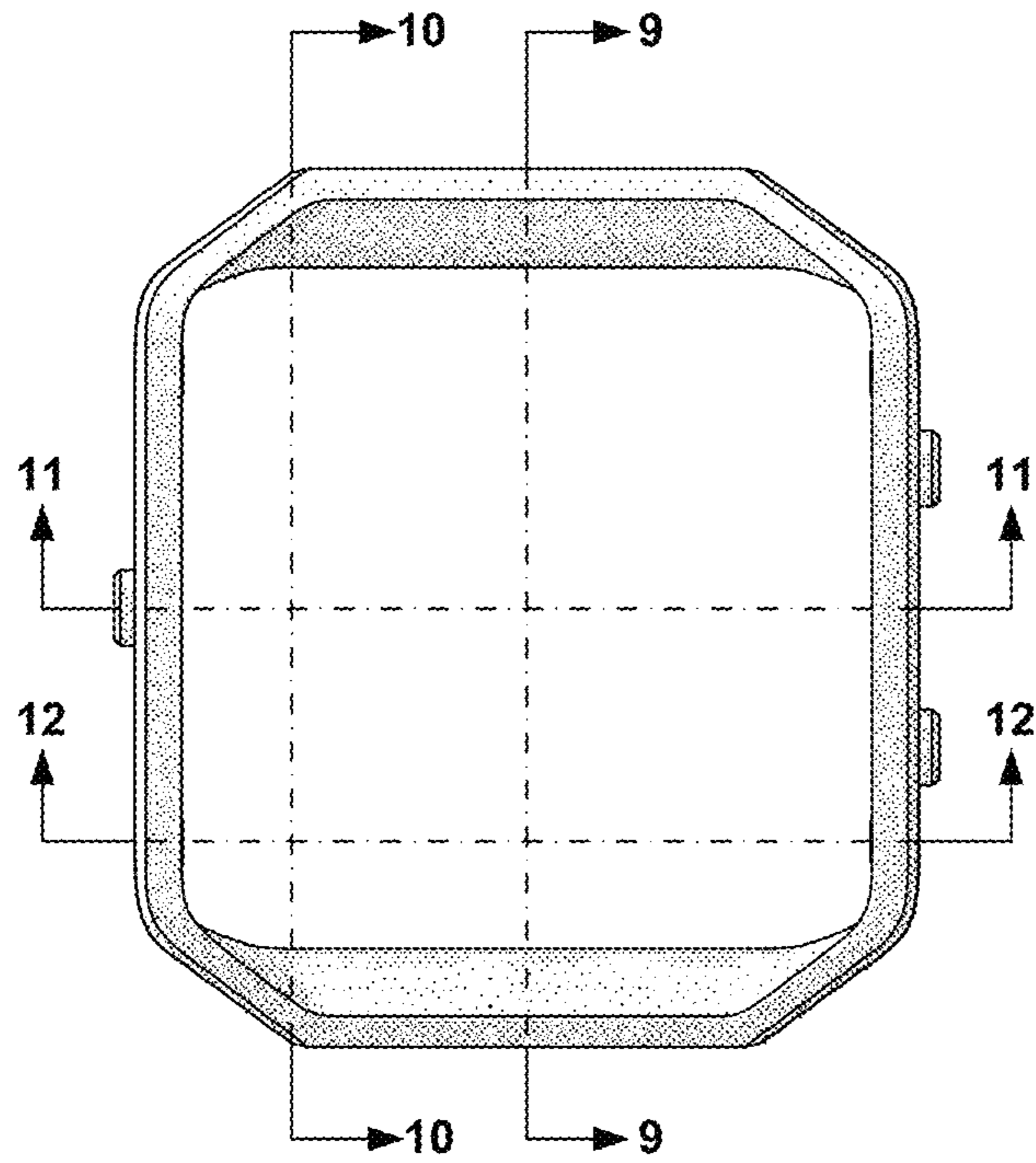


Figure 1

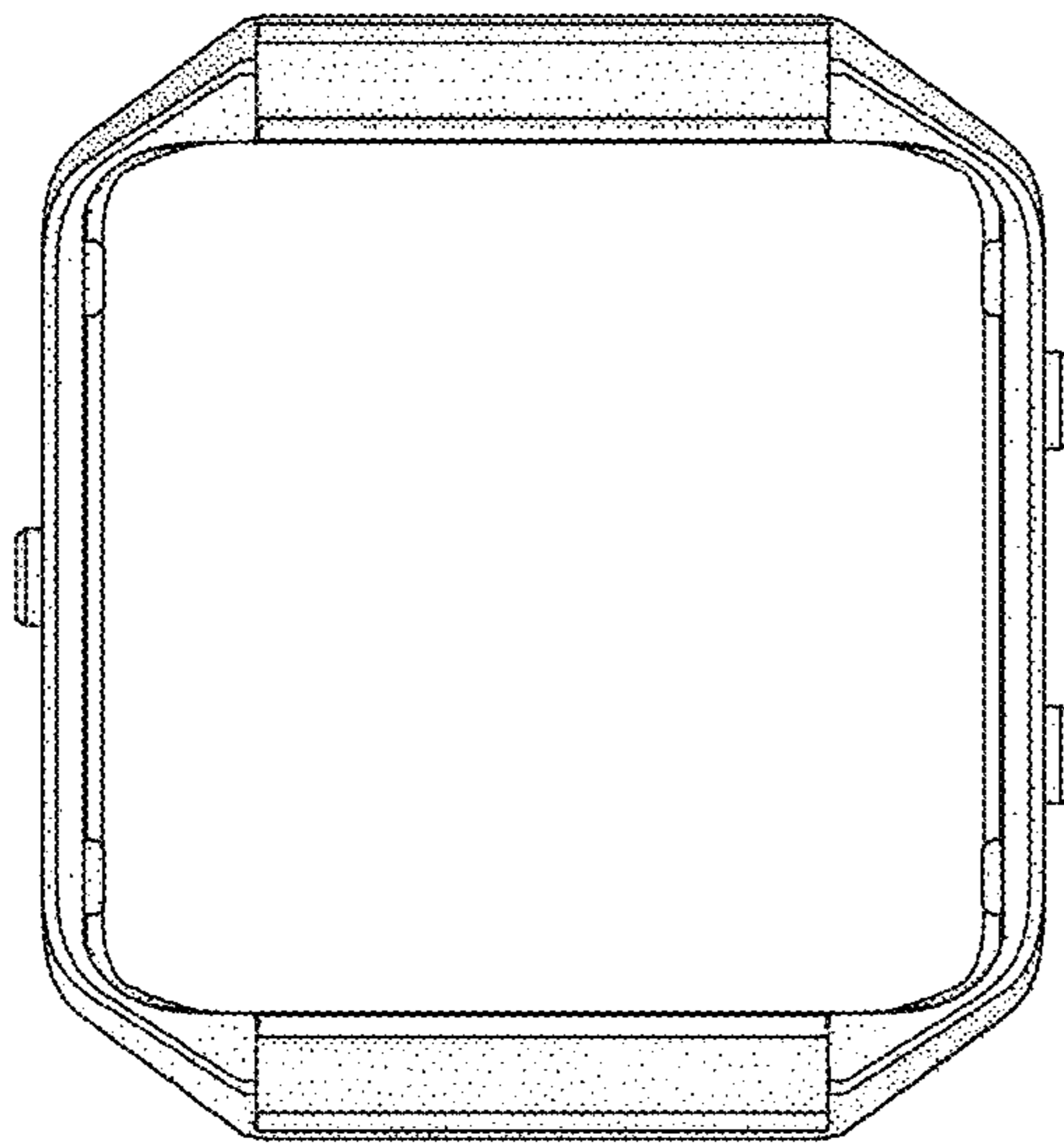


Figure 2

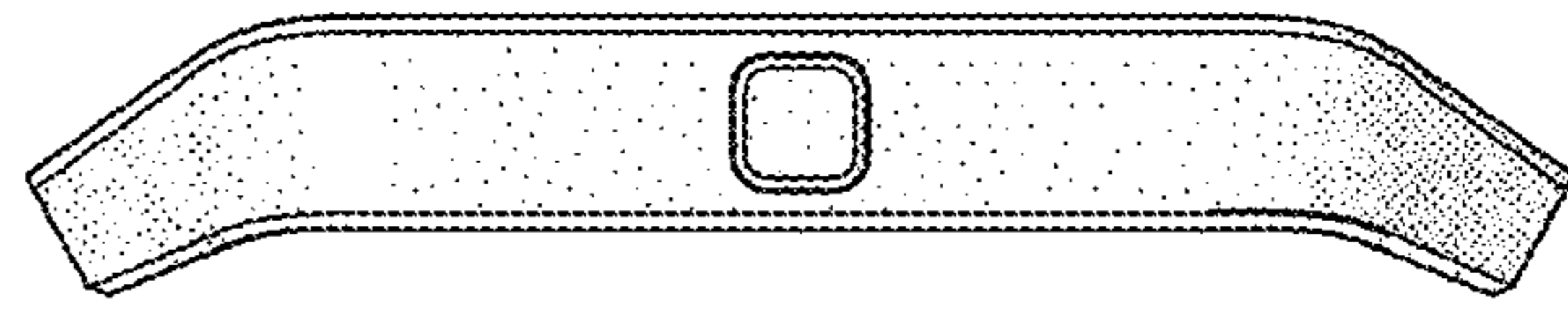


Figure 3

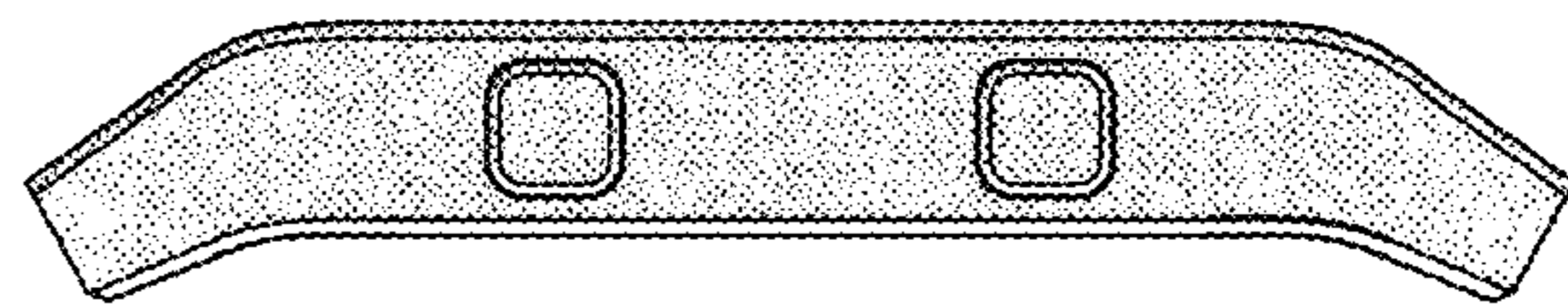


Figure 4

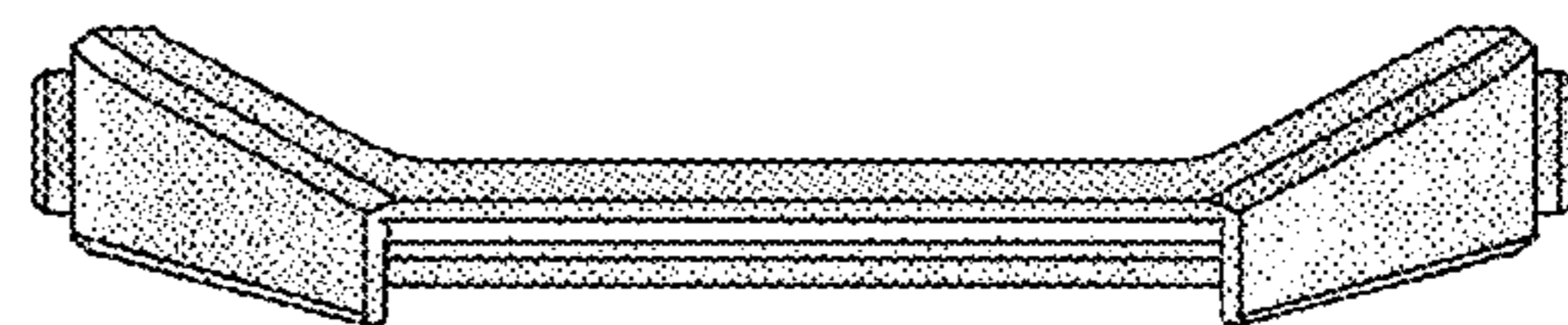


Figure 5

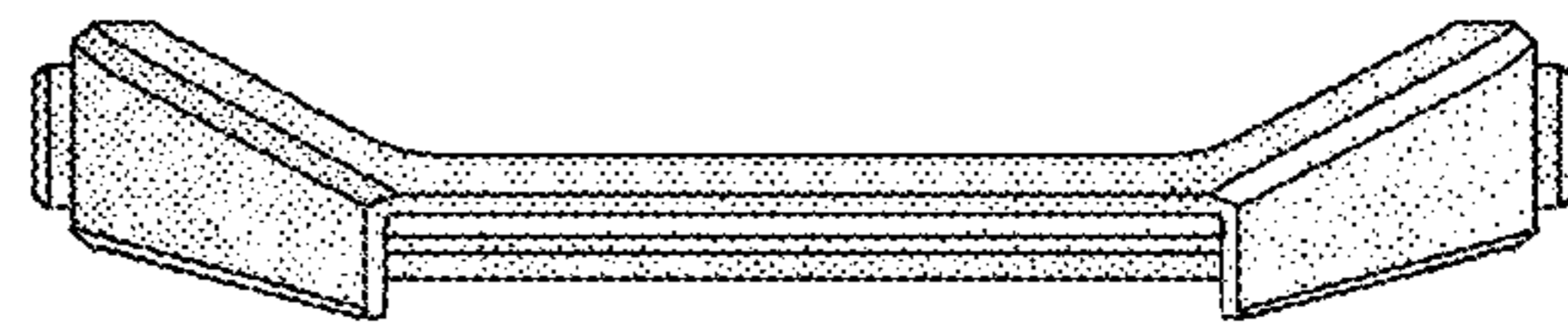


Figure 6

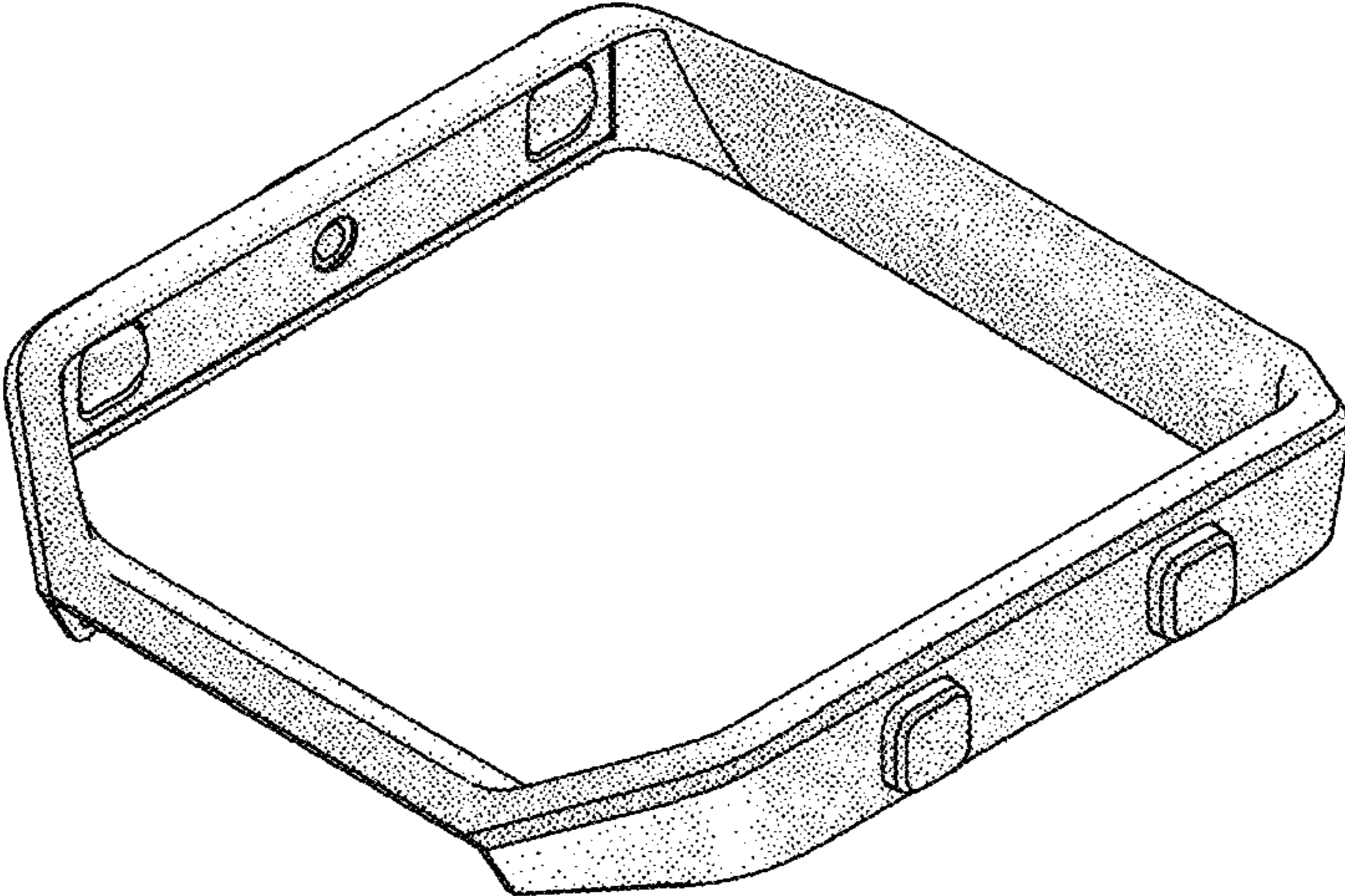


Figure 7

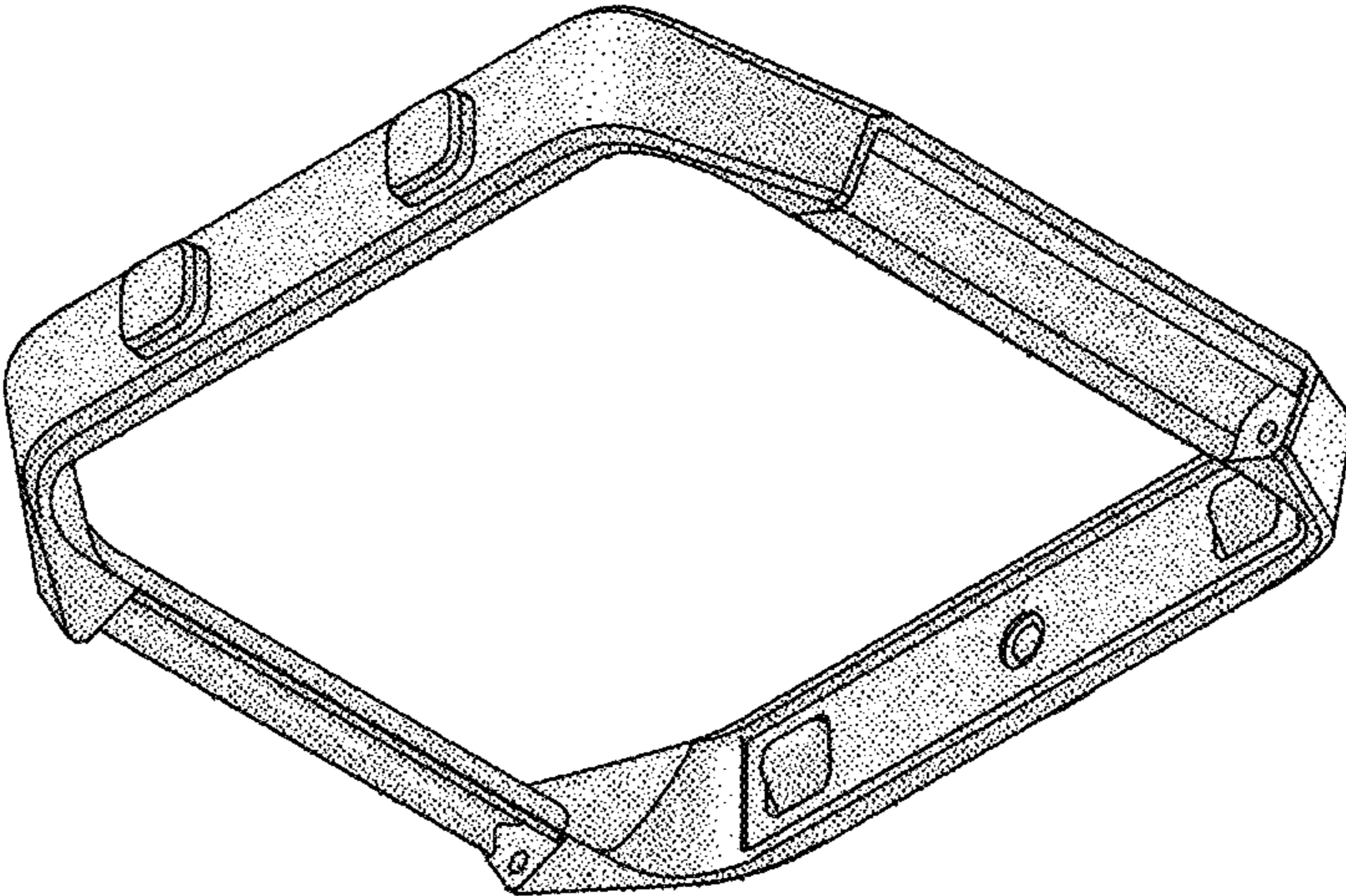


Figure 8

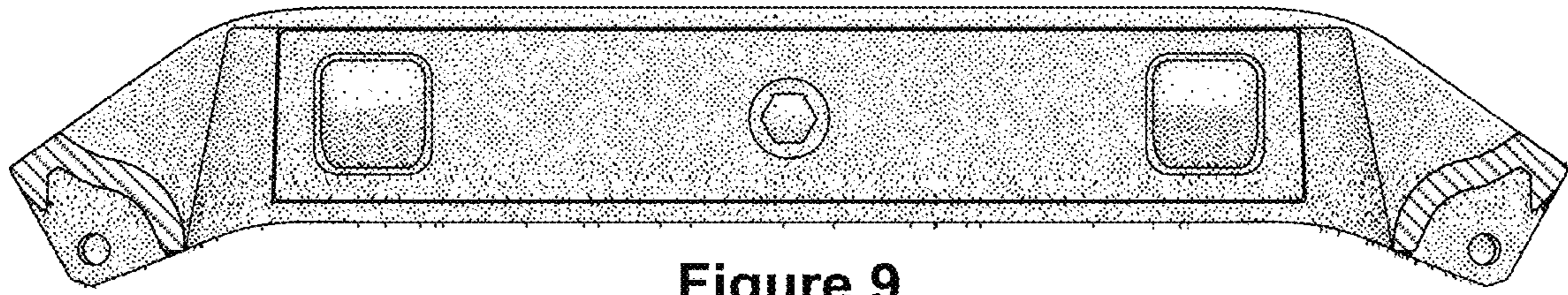


Figure 9

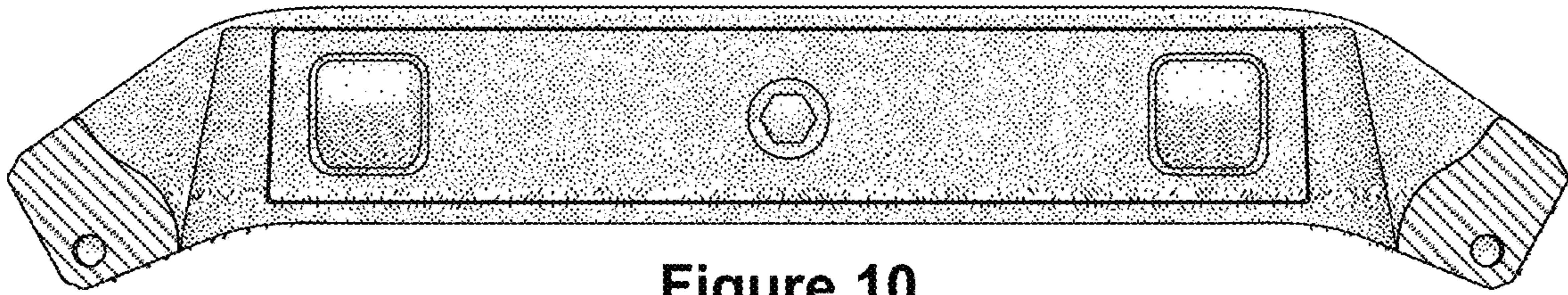


Figure 10

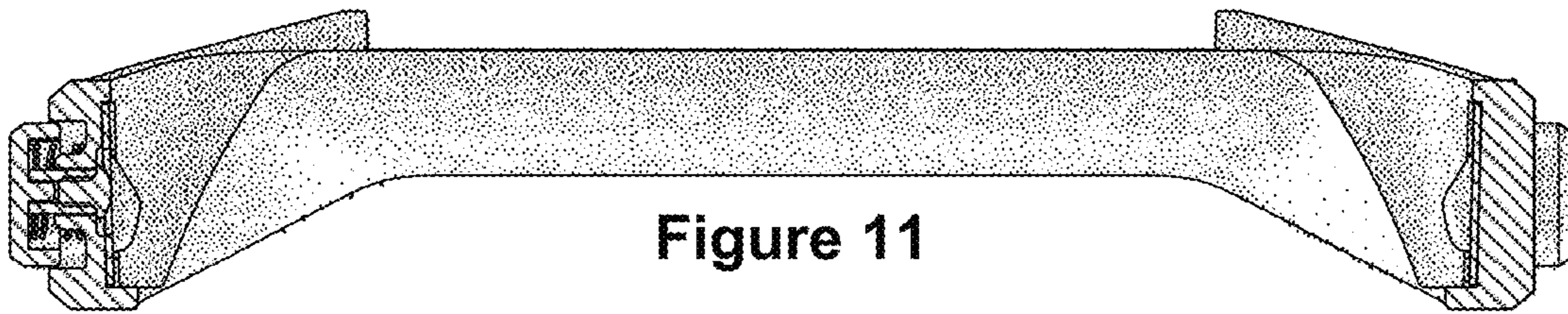


Figure 11

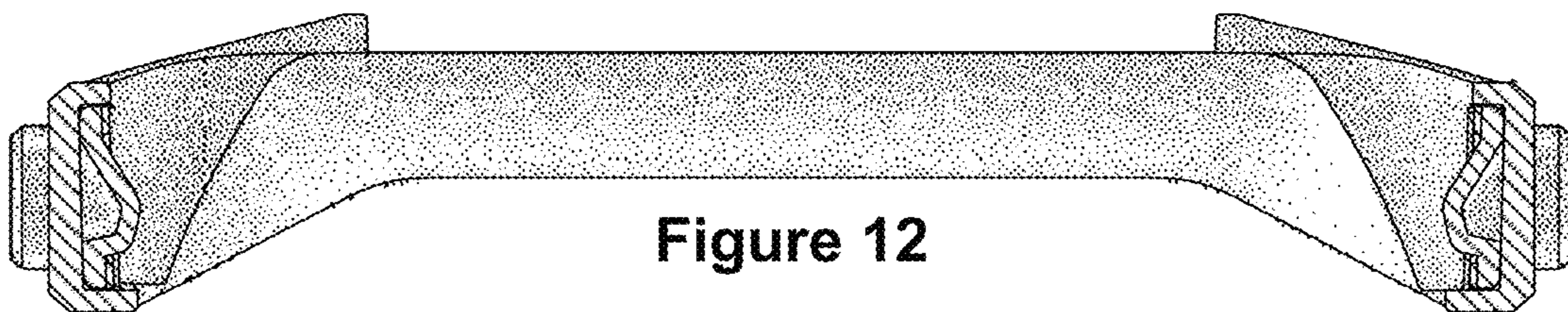


Figure 12