

US00D806596S

(12) **United States Design Patent**
Thompson

(10) **Patent No.:** **US D806,596 S**
(45) **Date of Patent:** **** Jan. 2, 2018**

- (54) **MODULE FOR A LIGHT BAR**
- (71) Applicant: **Electronic Controls Company**, Boise, ID (US)
- (72) Inventor: **Nicholaus M. Thompson**, Kuna, ID (US)
- (73) Assignee: **ELECTRONIC CONTROLS COMPANY**, Boise, ID (US)
- (**) Term: **14 Years**
- (21) Appl. No.: **29/523,731**
- (22) Filed: **Apr. 13, 2015**
- (51) **LOC (11) Cl.** **10-05**
- (52) **U.S. Cl.**
USPC **D10/121**
- (58) **Field of Classification Search**
USPC D10/121, 114.6; D26/142
See application file for complete search history.

- D493,117 S * 7/2004 Huang D10/121
- D592,800 S * 5/2009 Li D26/142
- D642,952 S * 8/2011 Elwell D10/121

* cited by examiner

Primary Examiner — George D Kirschbaum
(74) *Attorney, Agent, or Firm* — Stoel Rives LLP

(57) **CLAIM**

The ornamental design for a module for a light bar, substantially as shown and described.

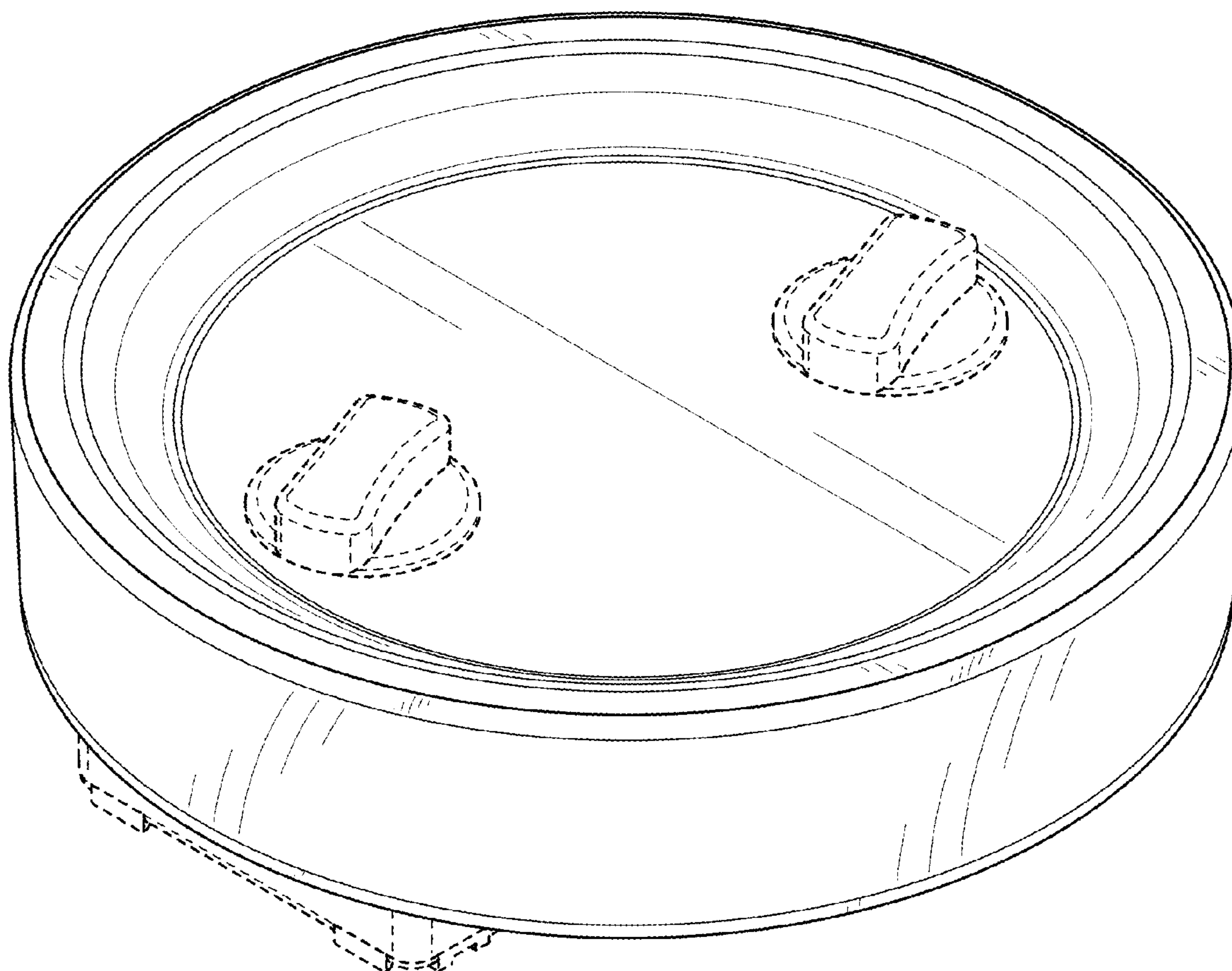
DESCRIPTION

FIG. 1 is a top isometric view of a module for a light bar; FIG. 2 is a rear view thereof; FIG. 3 is a front view thereof; FIG. 4 is a left side view thereof; FIG. 5 is a right side view thereof; FIG. 6 is a top view thereof; and, FIG. 7 is a bottom view thereof. In FIGS. 1-7, broken lines are illustrative of environmental structure forming no part of the claimed design.

1 Claim, 5 Drawing Sheets

(56) **References Cited**
U.S. PATENT DOCUMENTS

- D360,845 S * 8/1995 Smith D10/121
- D492,612 S * 7/2004 Huang D10/114.6



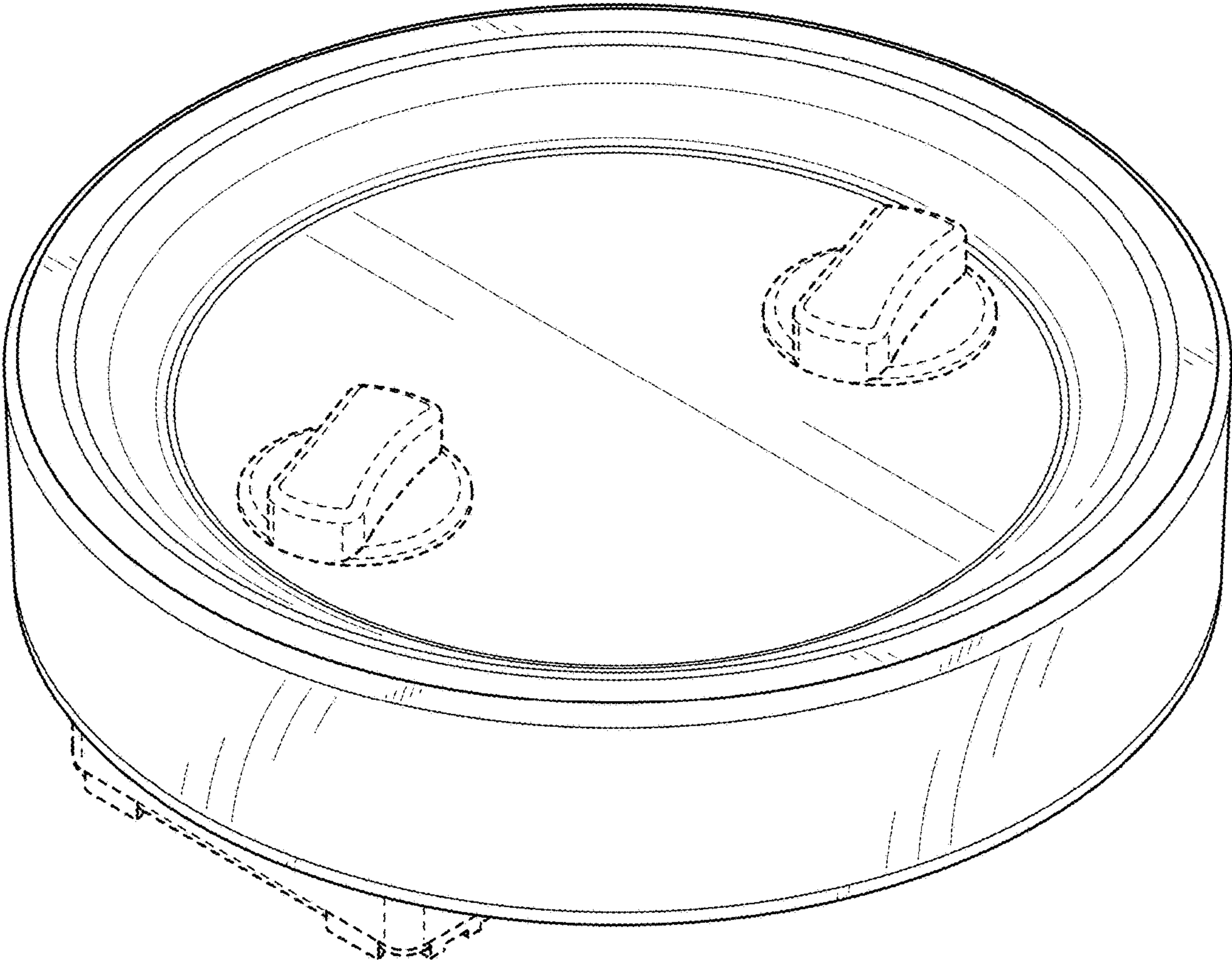


FIG. 1

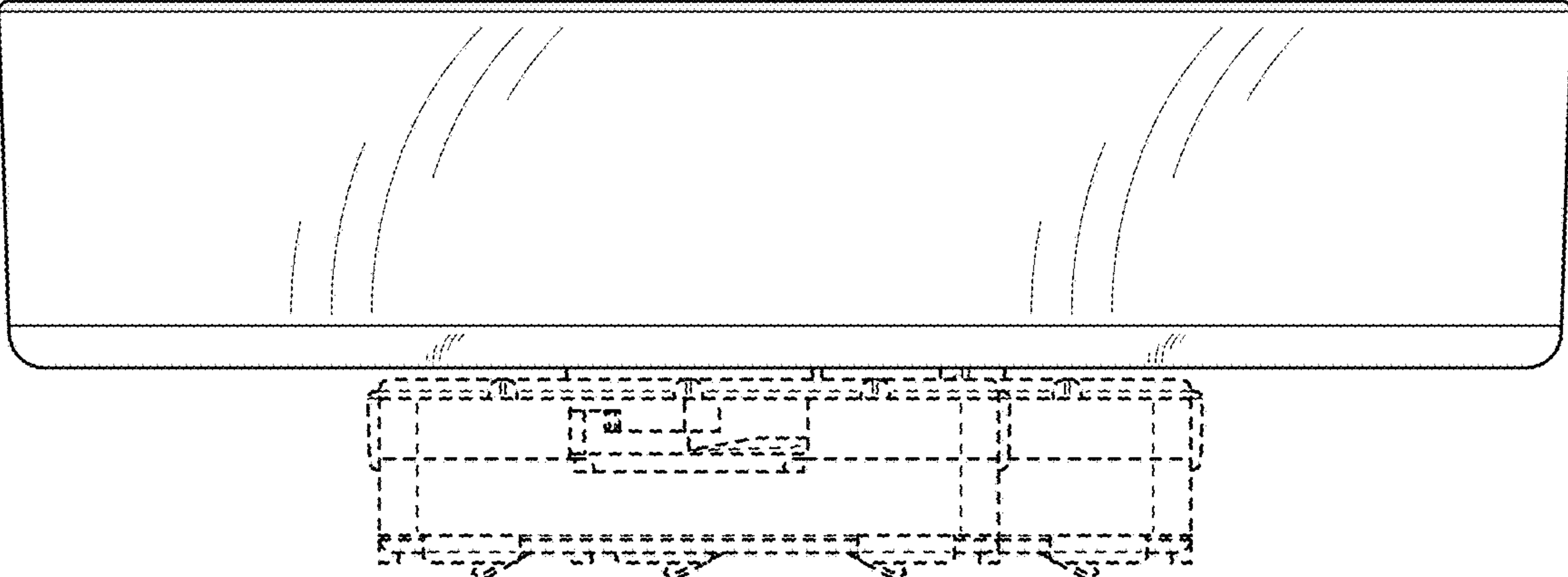


FIG. 2

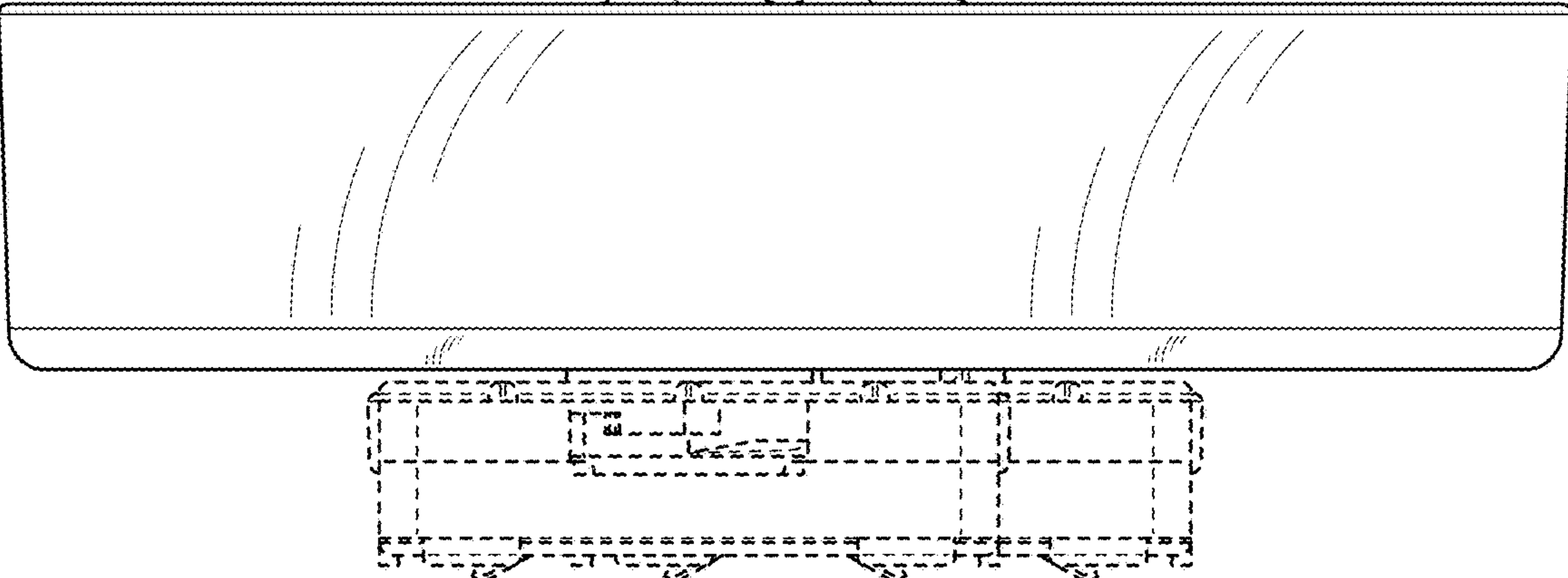


FIG. 3

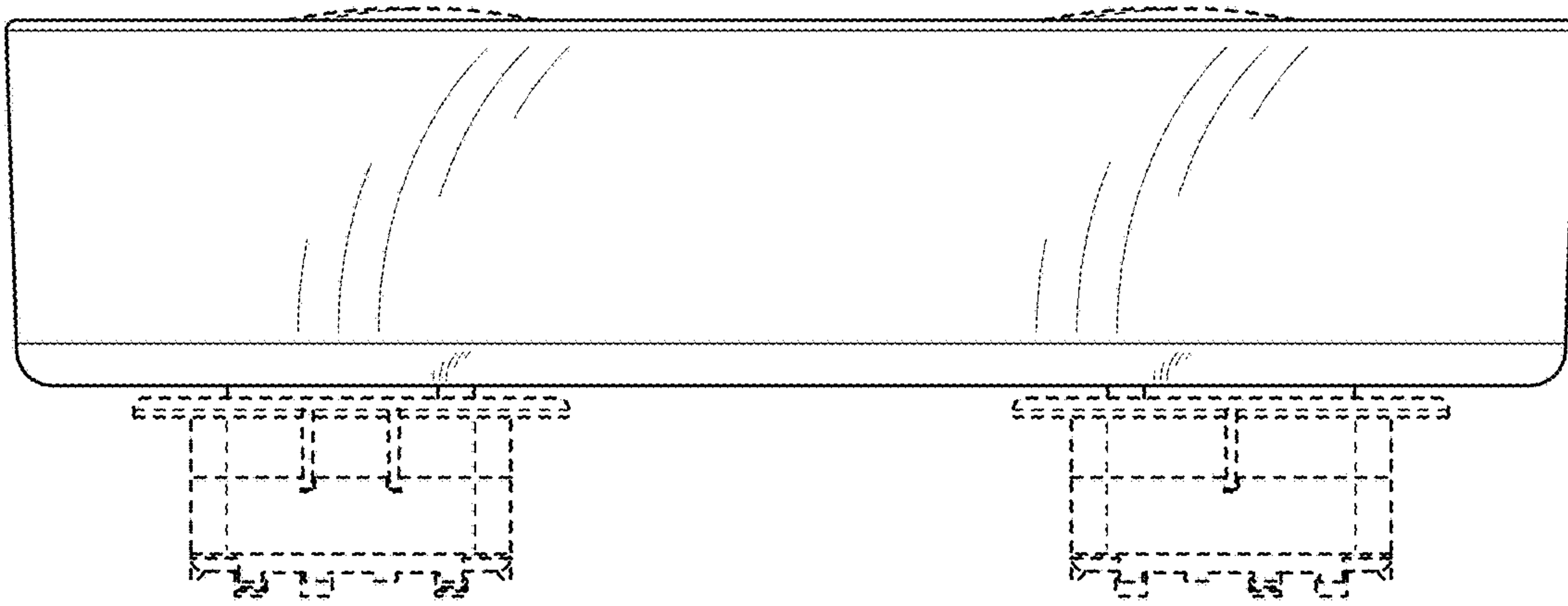


FIG. 4

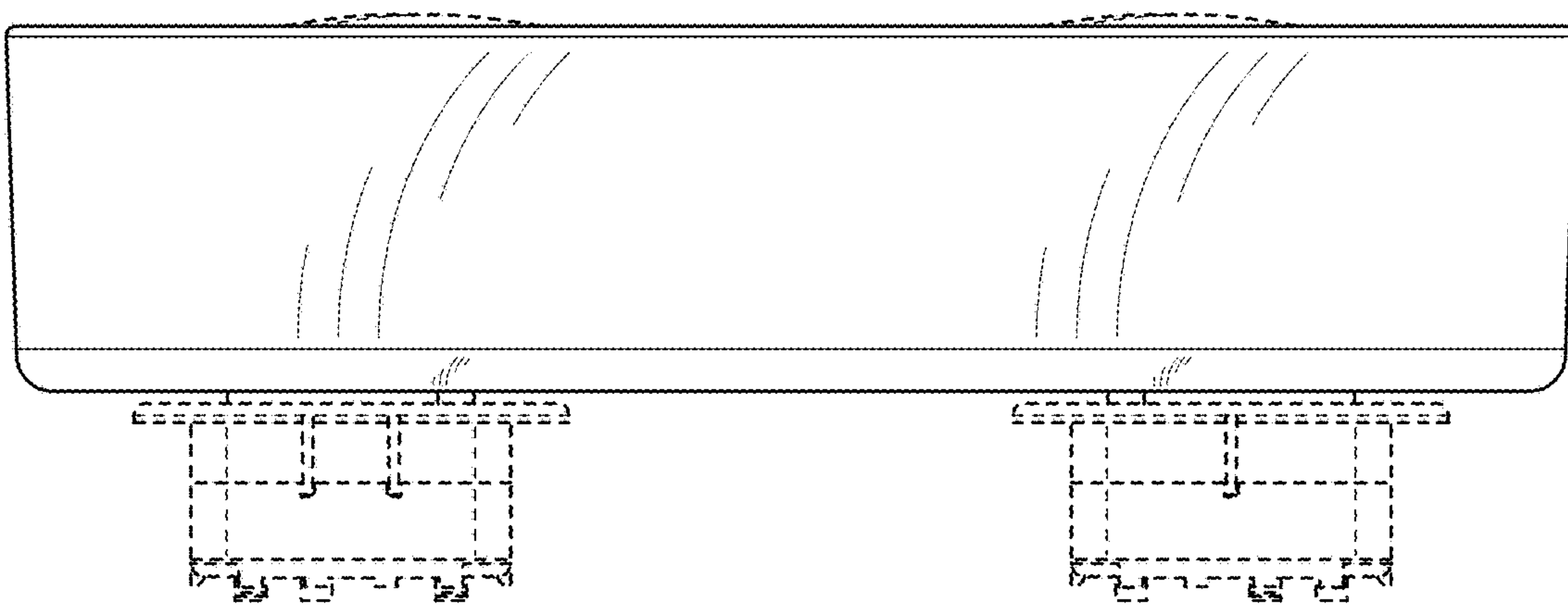


FIG. 5

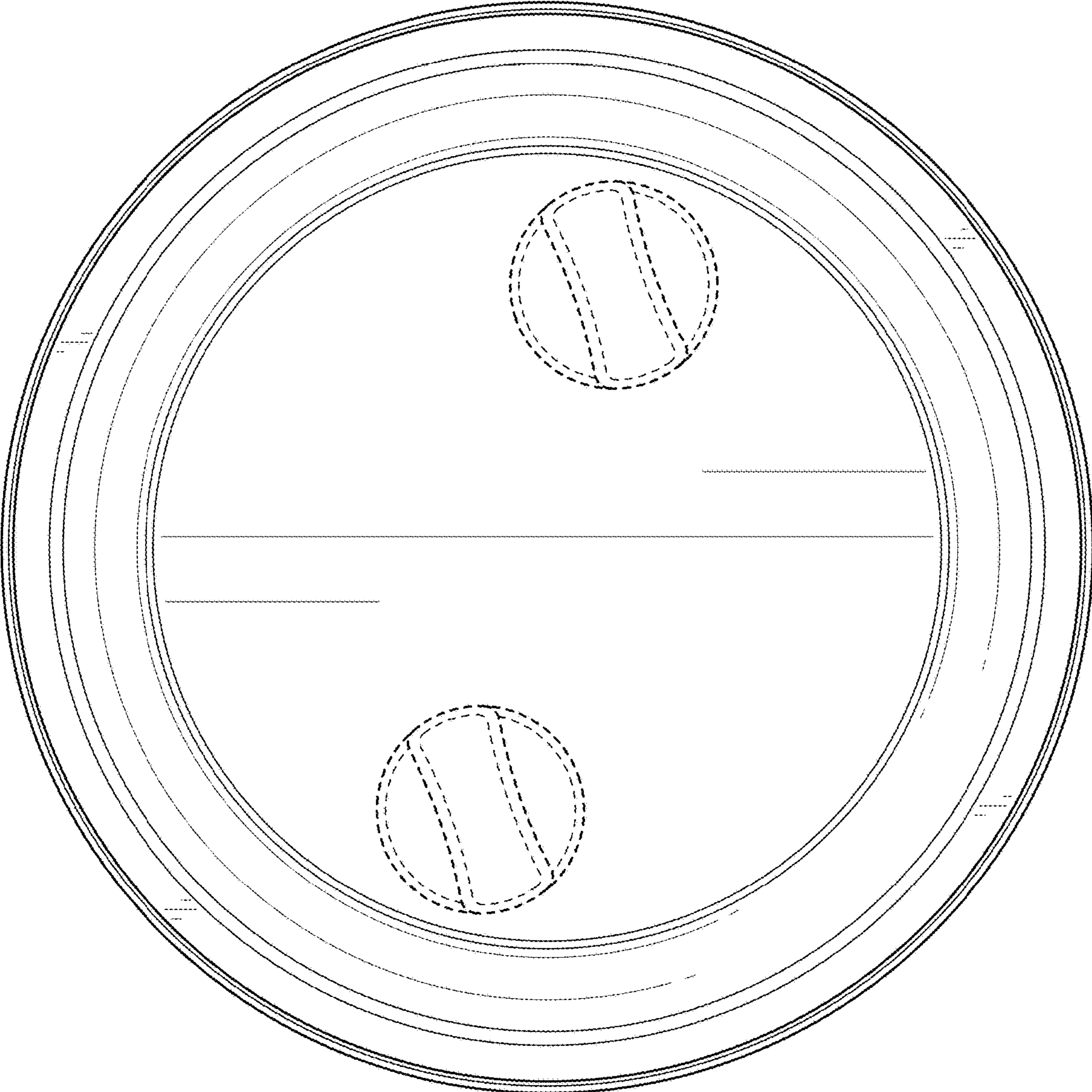


FIG. 6

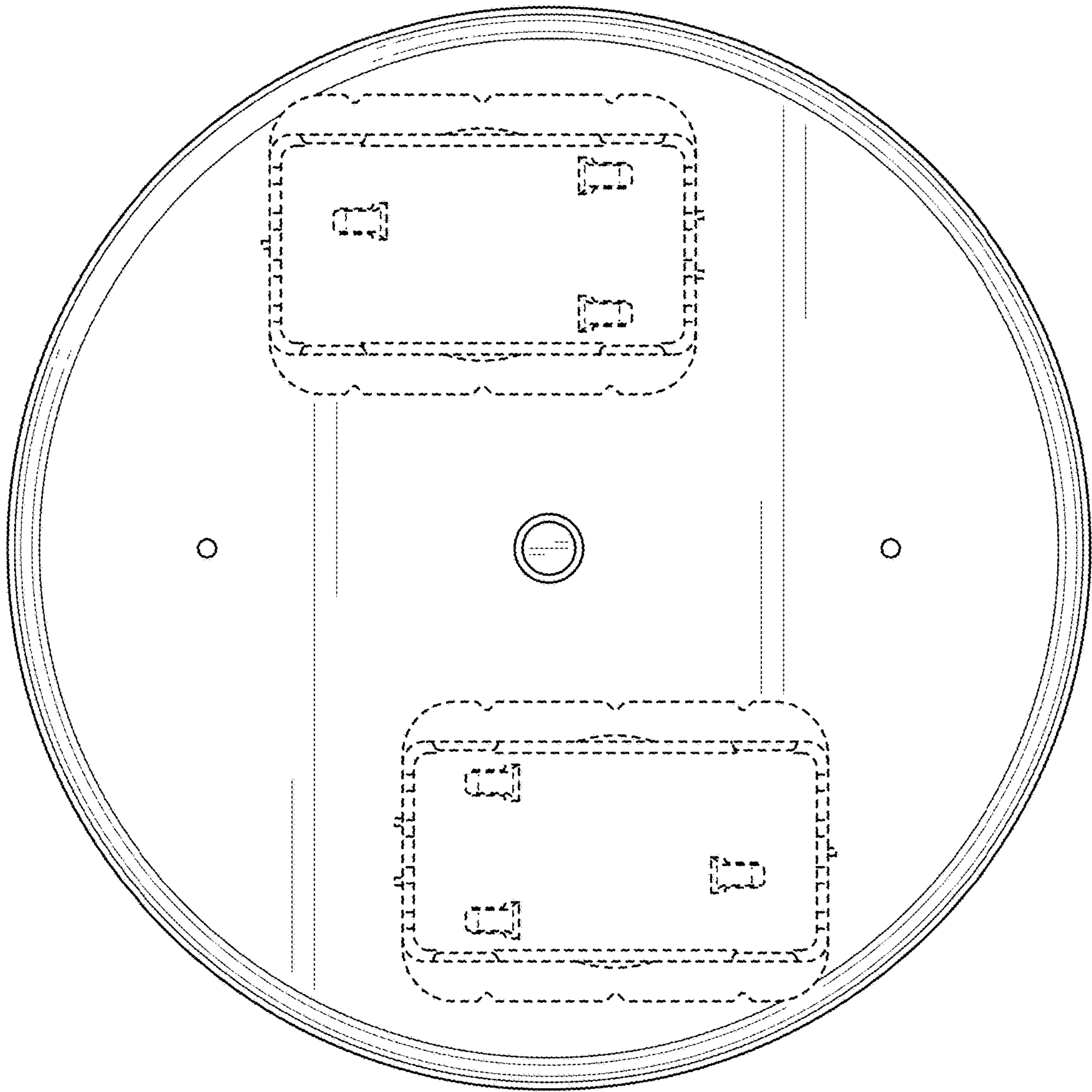


FIG. 7