



US00D806593S

(12) **United States Design Patent** (10) **Patent No.:** **US D806,593 S**
Sova (45) **Date of Patent:** **** Jan. 2, 2018**

(54) **SCAN TOOL**

(71) Applicant: **Innova Electronics, Inc.**, Irvine, CA (US)

(72) Inventor: **Carol Sova**, Long Beach, CA (US)

(73) Assignee: **Innova Electronics, Inc.**, Irvine, CA (US)

(**) Term: **15 Years**

(21) Appl. No.: **29/573,623**

(22) Filed: **Aug. 8, 2016**

(51) **LOC (11) Cl.** **10-04**

(52) **U.S. Cl.**
 USPC **D10/78**

(58) **Field of Classification Search**
 USPC D10/78
 CPC G08B 21/187; G08B 21/182; G05B 15/02;
 G07C 3/00; G07C 5/0808; G07C 5/085;
 F16M 13/02; F16B 1/00; F16B
 2001/0035

See application file for complete search history.

6,263,268 B1 7/2001 Nathanson
 6,389,337 B1 5/2002 Kolls
 6,438,471 B1 8/2002 Katagishi et al.
 6,499,385 B2 12/2002 Protti
 6,535,112 B1 3/2003 Rothshink
 6,587,768 B2 7/2003 Chene et al.
 6,611,740 B2 8/2003 Lowrey et al.
 6,650,318 B1 11/2003 Amon
 6,718,425 B1 4/2004 Pajakowski et al.
 6,732,031 B1 5/2004 Lightner et al.
 6,807,469 B2 10/2004 Funkhouser et al.
 6,836,708 B2 12/2004 Tripathi
 6,847,916 B1 1/2005 Ying
 6,868,369 B2 3/2005 Huang
 6,925,368 B2 8/2005 Funkhouser et al.
 6,940,270 B2 9/2005 Chen
 D510,287 S 10/2005 Chen
 6,957,133 B1 10/2005 Hunt et al.

(Continued)

FOREIGN PATENT DOCUMENTS

WO WO 0186576 11/2001

Primary Examiner — Antoine Duval Davis
 (74) *Attorney, Agent, or Firm* — Stetina Brunda Garred and Brucker

(57) **CLAIM**

The ornamental design for a scan tool, as shown and described.

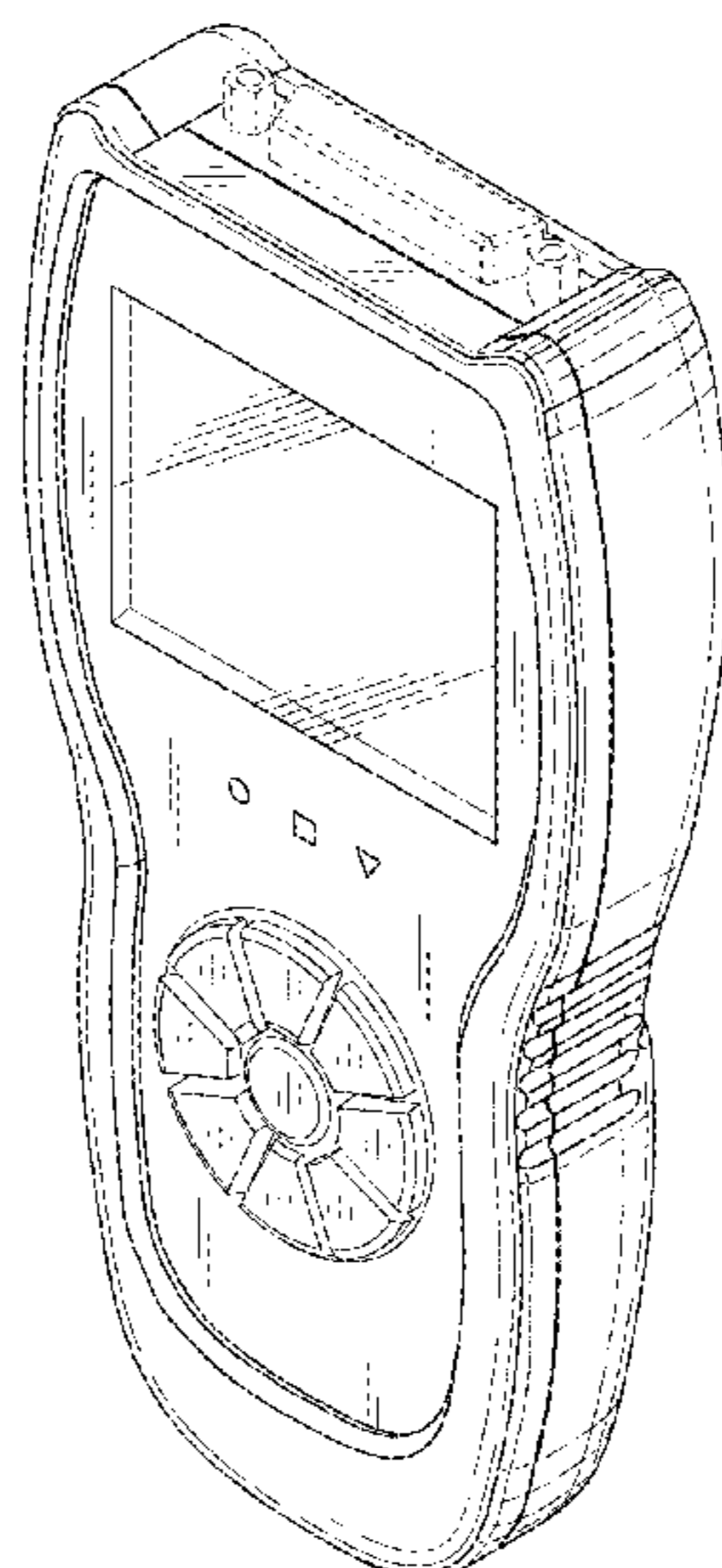
DESCRIPTION

FIG. 1 is a right side perspective view of the invention.
 FIG. 2 is a top view of the invention;
 FIG. 3 is a left side view of the invention;
 FIG. 4 is a front view of the invention;
 FIG. 5 is a back view of the invention; and,
 FIG. 6 is a bottom view of the invention.
 The broken line showing of structural features is included for the purpose of illustrating non-claimed subject matter and forms no part of the claimed design.

1 Claim, 3 Drawing Sheets

(56) **References Cited**
 U.S. PATENT DOCUMENTS

D334,560 S 4/1993 Wilson
 5,347,211 A 9/1994 Jakubowski
 D377,622 S 1/1997 Chen
 5,635,841 A 6/1997 Taylor
 5,758,300 A 5/1998 Abe
 5,767,681 A 6/1998 Huang
 5,809,437 A 9/1998 Breed
 5,859,628 A 1/1999 Ross et al.
 5,884,202 A 3/1999 Arjomand
 6,000,413 A 12/1999 Chen
 6,055,468 A 4/2000 Kaman et al.
 6,094,609 A 7/2000 Arjomand
 6,169,943 B1 1/2001 Simon et al.
 6,225,898 B1 5/2001 Kamiya et al.



(56)

References Cited

U.S. PATENT DOCUMENTS

6,968,733 B2	11/2005	Andreasen	7,974,750 B2	7/2011	Namaky
7,030,742 B2	4/2006	Treadway	8,019,503 B2	9/2011	Andreasen
7,085,680 B2	8/2006	Huang	8,024,083 B2	9/2011	Chen
7,116,216 B2	10/2006	Andreasen	D646,188 S	10/2011	Chen
7,209,813 B2	4/2007	Namaky	D646,599 S	10/2011	Chen
RE39,619 E	5/2007	Andreasen	8,032,419 B2	10/2011	Chen
D545,223 S	6/2007	Chen	8,068,951 B2	11/2011	Chen et al.
D559,137 S	1/2008	Protti	8,301,329 B2	10/2012	Andreasen et al.
D560,129 S	1/2008	Rich	8,306,687 B2	11/2012	Chen
D560,527 S	1/2008	Rich	8,370,018 B2	2/2013	Andreasen et al.
7,325,775 B2	2/2008	Chen	8,509,986 B1	8/2013	Chen
D563,249 S	3/2008	Chen	8,630,765 B2	1/2014	Chen
7,363,149 B2	4/2008	Klausner et al.	8,825,270 B2	9/2014	Chen
D569,280 S	5/2008	Chen	8,825,271 B2	9/2014	Chen
7,376,497 B2	5/2008	Chen	8,831,814 B2	9/2014	Chen
D571,241 S	6/2008	Andreasen	8,855,621 B2	10/2014	Chen
7,437,227 B2	10/2008	Andreasen	8,862,117 B2	10/2014	Chen
D581,822 S	12/2008	Madison	8,880,274 B2	11/2014	Chen
7,464,000 B2	12/2008	Huang	8,909,416 B2	12/2014	Chen et al.
D588,621 S	3/2009	Baty	9,002,554 B2	4/2015	Chen
D590,387 S	4/2009	Chen	9,014,908 B2	4/2015	Chen
7,520,668 B2	4/2009	Chen	9,026,400 B2	5/2015	Chen et al.
RE40,798 E	6/2009	Chen	9,117,319 B2	8/2015	Chen et al.
RE40,799 E	6/2009	Chen	9,123,051 B2	9/2015	Chen
7,603,293 B2	10/2009	Chen	9,141,503 B1	9/2015	Chen
7,620,484 B1	11/2009	Chen	9,142,066 B2	9/2015	Chen et al.
D610,586 S	2/2010	Chen	9,177,428 B2	11/2015	Nguyen et al.
7,734,390 B2	6/2010	Chen	9,213,447 B2	12/2015	Chen
7,778,750 B2	8/2010	Knight et al.	9,324,194 B2	4/2016	Pham
D624,446 S	9/2010	Chen	9,342,934 B2	5/2016	Chen
D624,838 S	10/2010	Chen	9,384,599 B2	7/2016	Chen et al.
D625,209 S	10/2010	Chen	2003/0171111 A1	9/2003	Clark
D625,210 S	10/2010	Chen	2004/0110472 A1	6/2004	Witkowski
D625,634 S	10/2010	Chen	2014/0046800 A1	2/2014	Chen
D629,318 S *	12/2010	Disch D10/78	2015/0361946 A1	12/2015	Pham et al.
7,860,619 B2 *	12/2010	Bertosa G07C 5/0808	2016/0027223 A1	1/2016	Madison et al.
		340/438	2016/0055684 A1	2/2016	Chen
			2016/0104328 A1	4/2016	Chen et al.
			2016/0188195 A1	6/2016	Chen
7,904,219 B1	3/2011	Lowrey et al.			

* cited by examiner

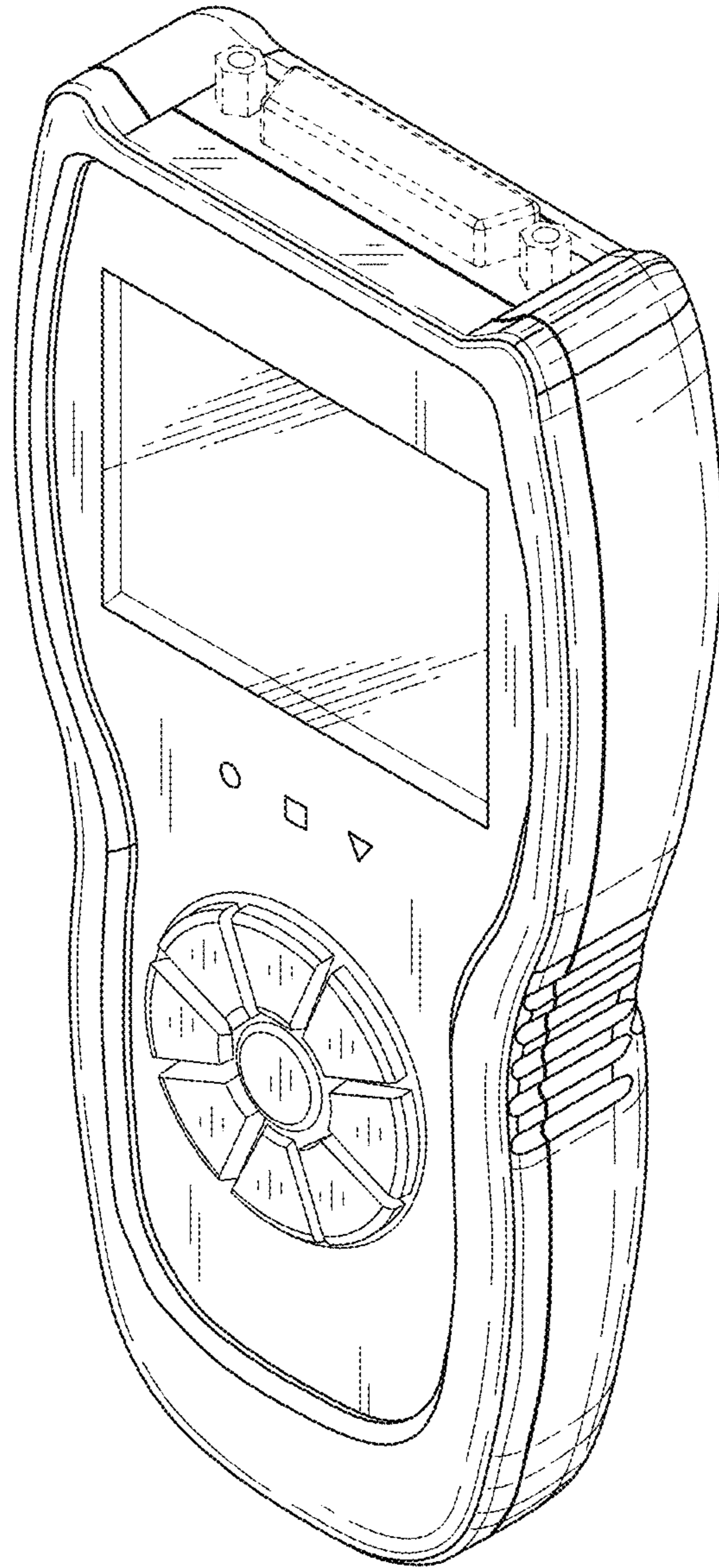


FIG. 1

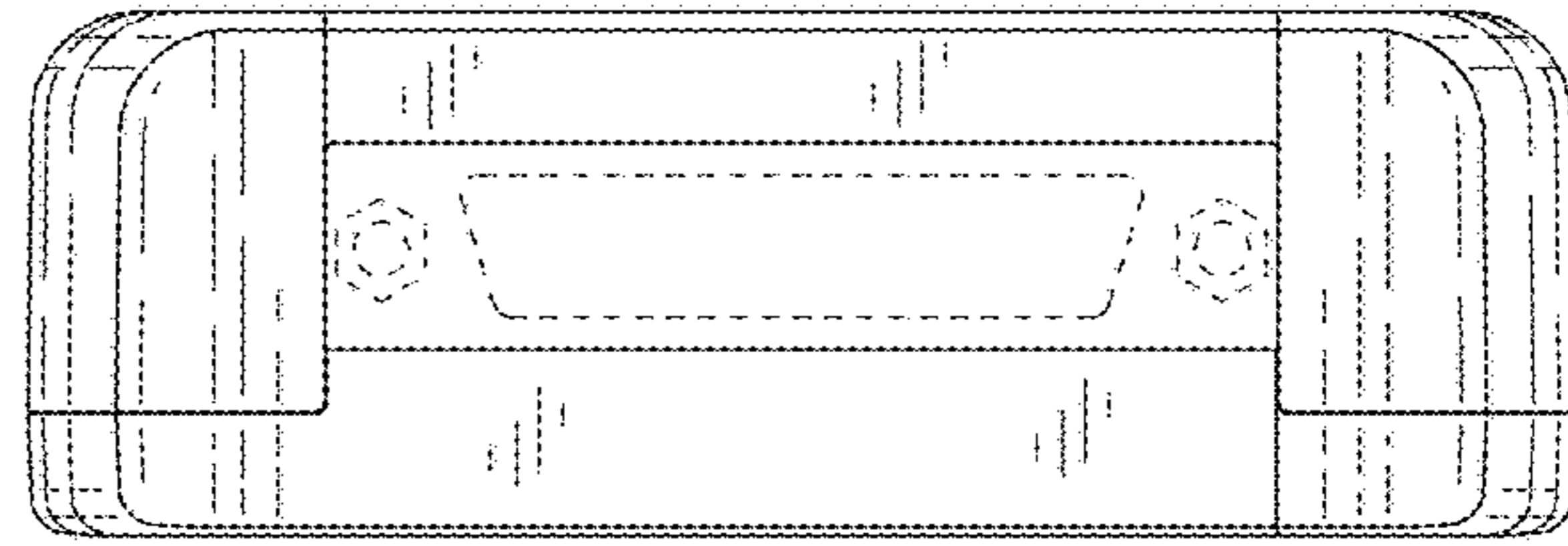


FIG. 2

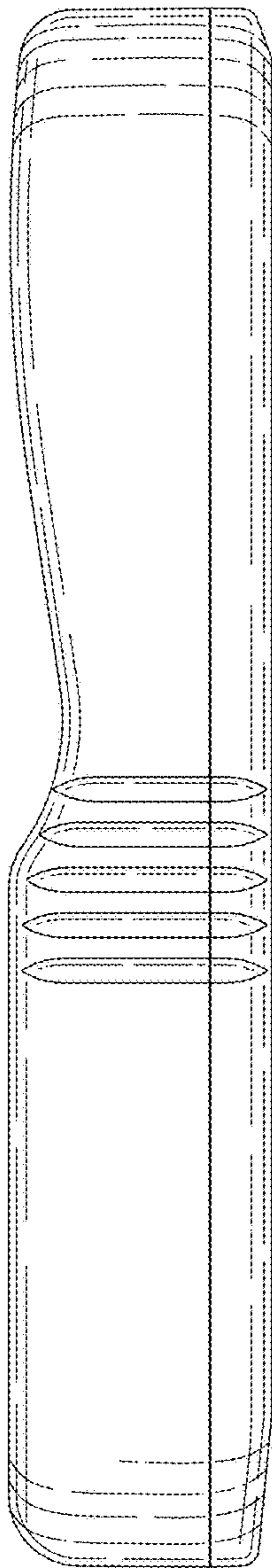


FIG. 3

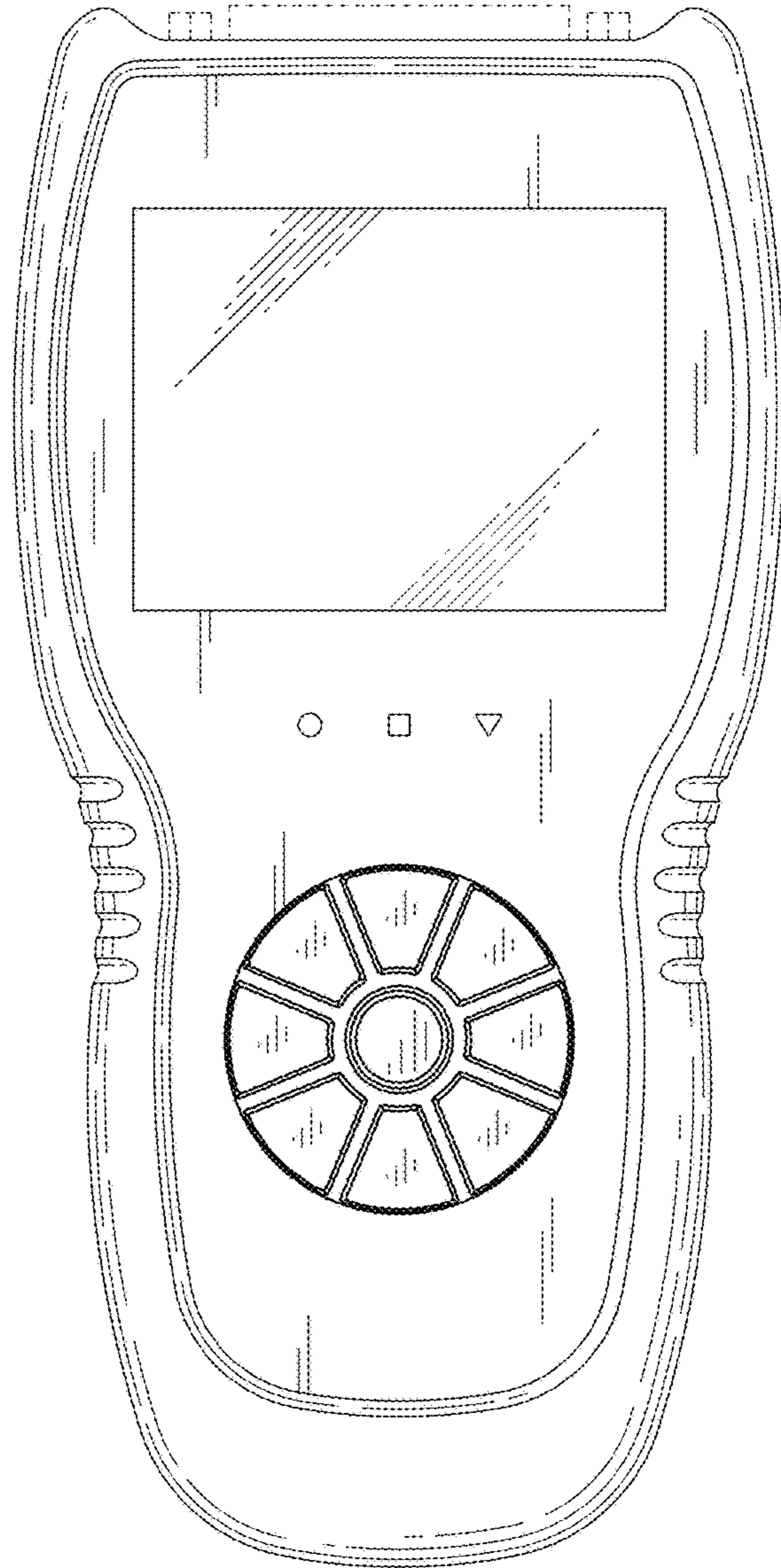


FIG. 4

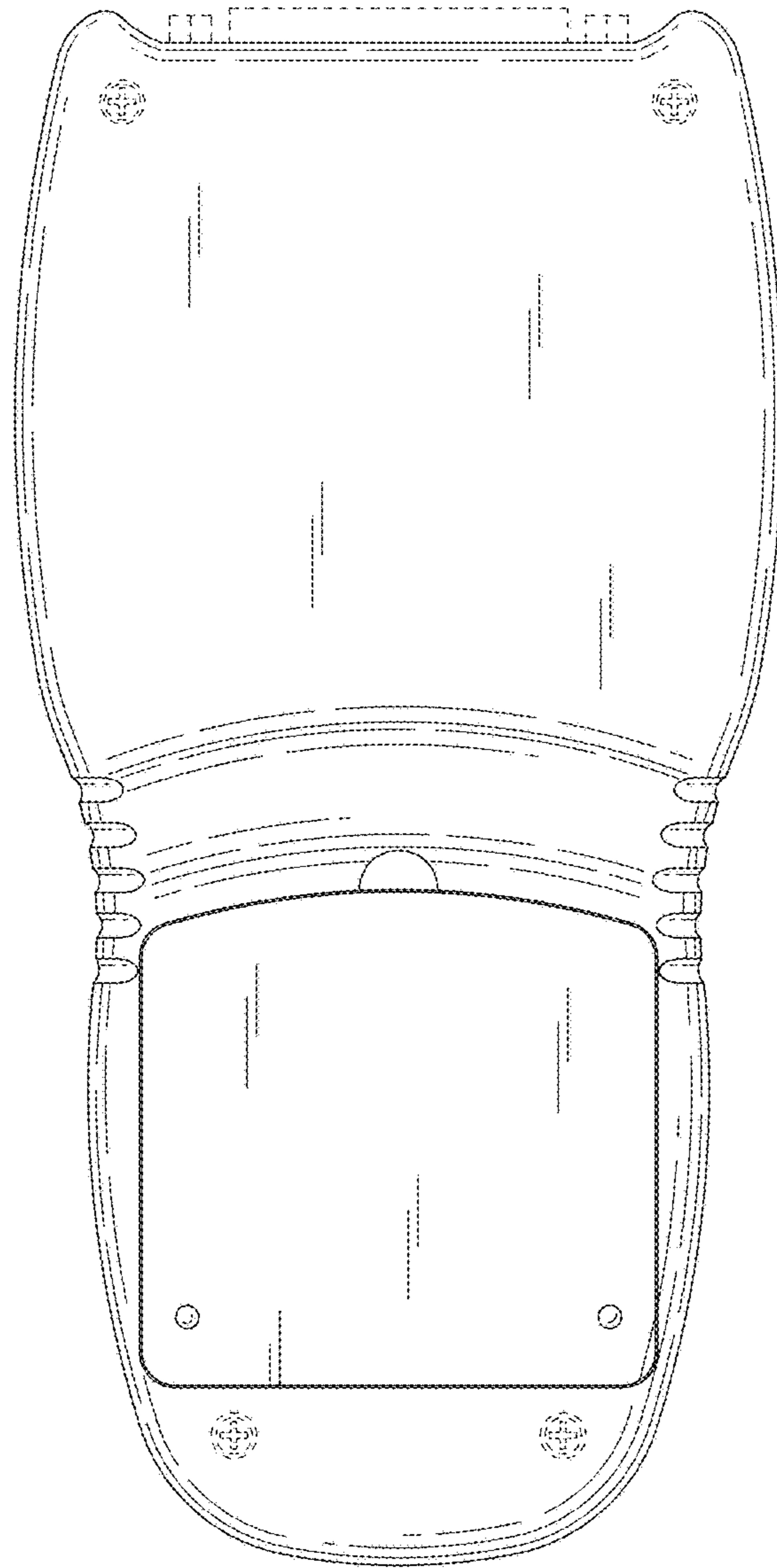


FIG. 5

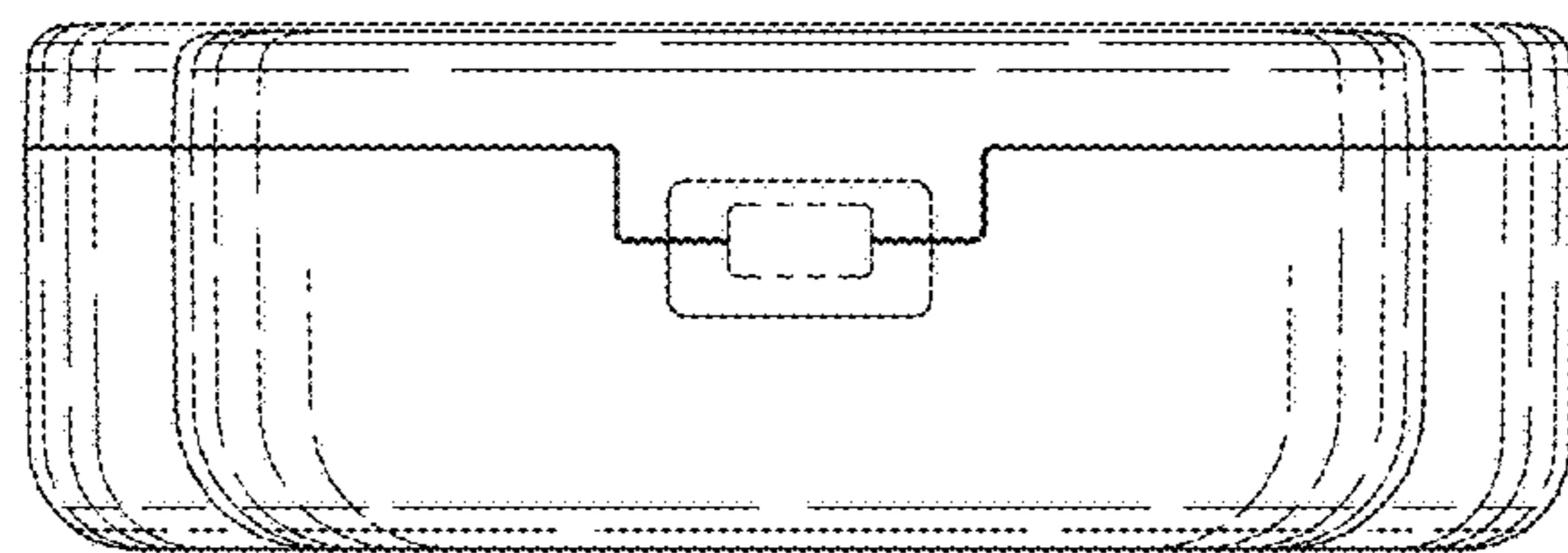


FIG. 6