



US00D806591S

(12) **United States Design Patent**
Marzette, Jr. et al.

(10) **Patent No.:** **US D806,591 S**
(45) **Date of Patent:** **** Jan. 2, 2018**

- (54) **DOCUMENTING PROCESS CALIBRATOR**
- (71) Applicant: **Fluke Corporation**, Everett, WA (US)
- (72) Inventors: **Charles Elbert Marzette, Jr.**,
Kirkland, WA (US); **David J. Gibson**,
Everett, WA (US)
- (73) Assignee: **Fluke Corporation**, Everett, WA (US)
- (**) Term: **15 Years**
- (21) Appl. No.: **29/558,597**
- (22) Filed: **Mar. 18, 2016**
- (51) **LOC (11) Cl.** **10-04**
- (52) **U.S. Cl.**
USPC **D10/78**
- (58) **Field of Classification Search**
USPC D10/78
CPC H01Q 3/267; H01Q 3/36; G01S 7/4026;
G01S 13/74; G01S 13/79; G01S 13/91;
G01S 2007/4082; G01S 2013/0254
See application file for complete search history.

- (56) **References Cited**
U.S. PATENT DOCUMENTS
D727,762 S * 4/2015 Kisner D10/78
D754,554 S * 4/2016 Richer D10/78
D780,609 S * 3/2017 Richer D10/76

* cited by examiner

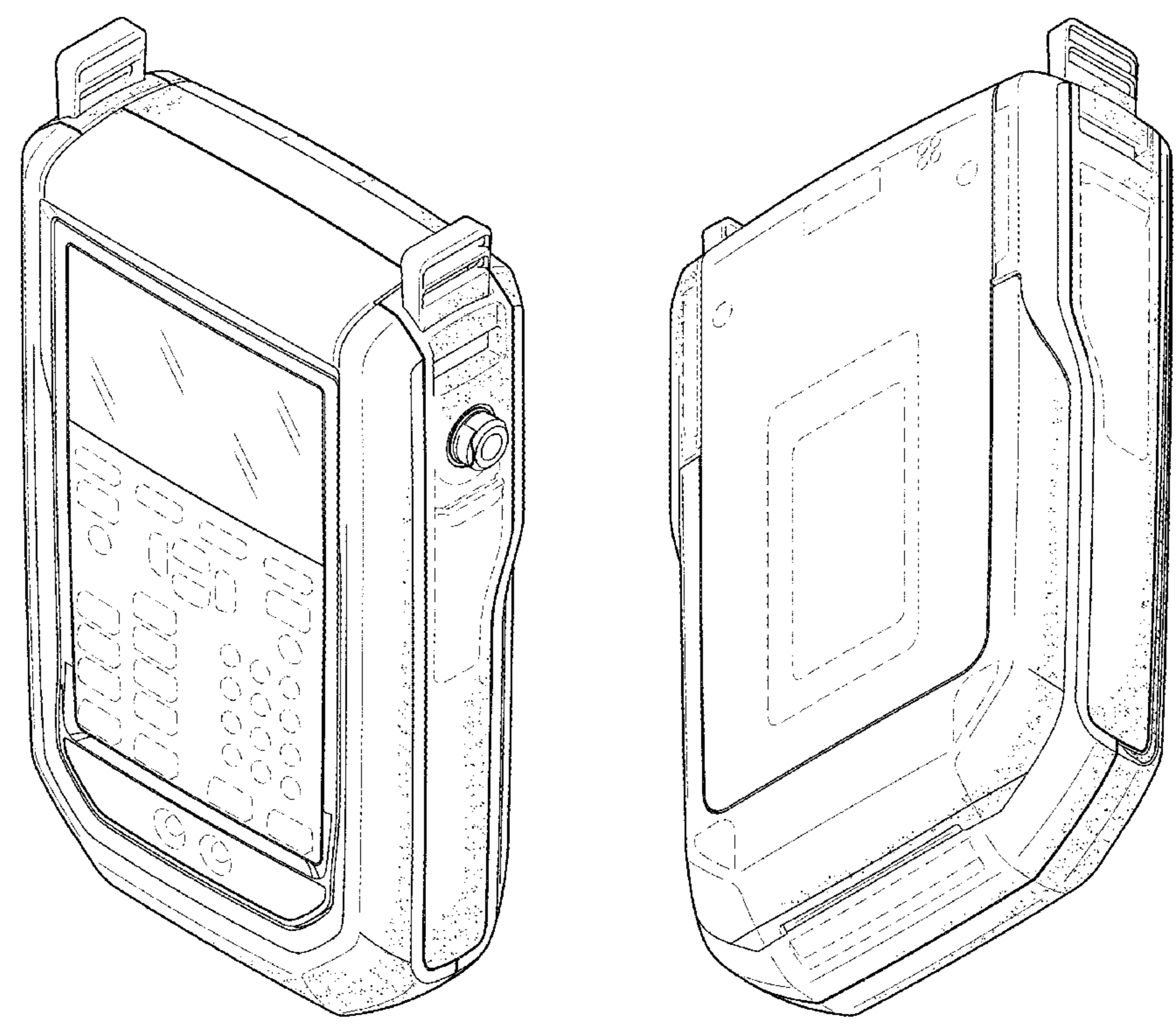
Primary Examiner — Antoine Duval Davis
(74) *Attorney, Agent, or Firm* — Seed IP Law Group LLP

(57) **CLAIM**
The ornamental design for a documenting process calibrator, as shown and described.

DESCRIPTION

FIG. 1 is a top front right perspective view of a documenting process calibrator showing our new design.
 FIG. 2 is a bottom rear left perspective view thereof.
 FIG. 3 is a front elevation view thereof.
 FIG. 4 is a left side elevation view thereof.
 FIG. 5 is a right side elevation view thereof.
 FIG. 6 is a rear elevation view thereof.
 FIG. 7 is a top plan view thereof.
 FIG. 8 is a bottom plan view thereof.
 FIG. 9 is a top front right perspective view of the documenting process calibrator of FIG. 1 with a rear stand shown in an extended position.
 FIG. 10 is a bottom rear left perspective view thereof.
 FIG. 11 is a front elevation view thereof.
 FIG. 12 is a left side elevation view thereof.
 FIG. 13 is a right side elevation view thereof.
 FIG. 14 is a rear elevation view thereof.
 FIG. 15 is a top plan view thereof; and,
 FIG. 16 is a bottom plan view thereof.
 The broken lines in the figures illustrate environment only and form no part of the claimed design.

1 Claim, 15 Drawing Sheets



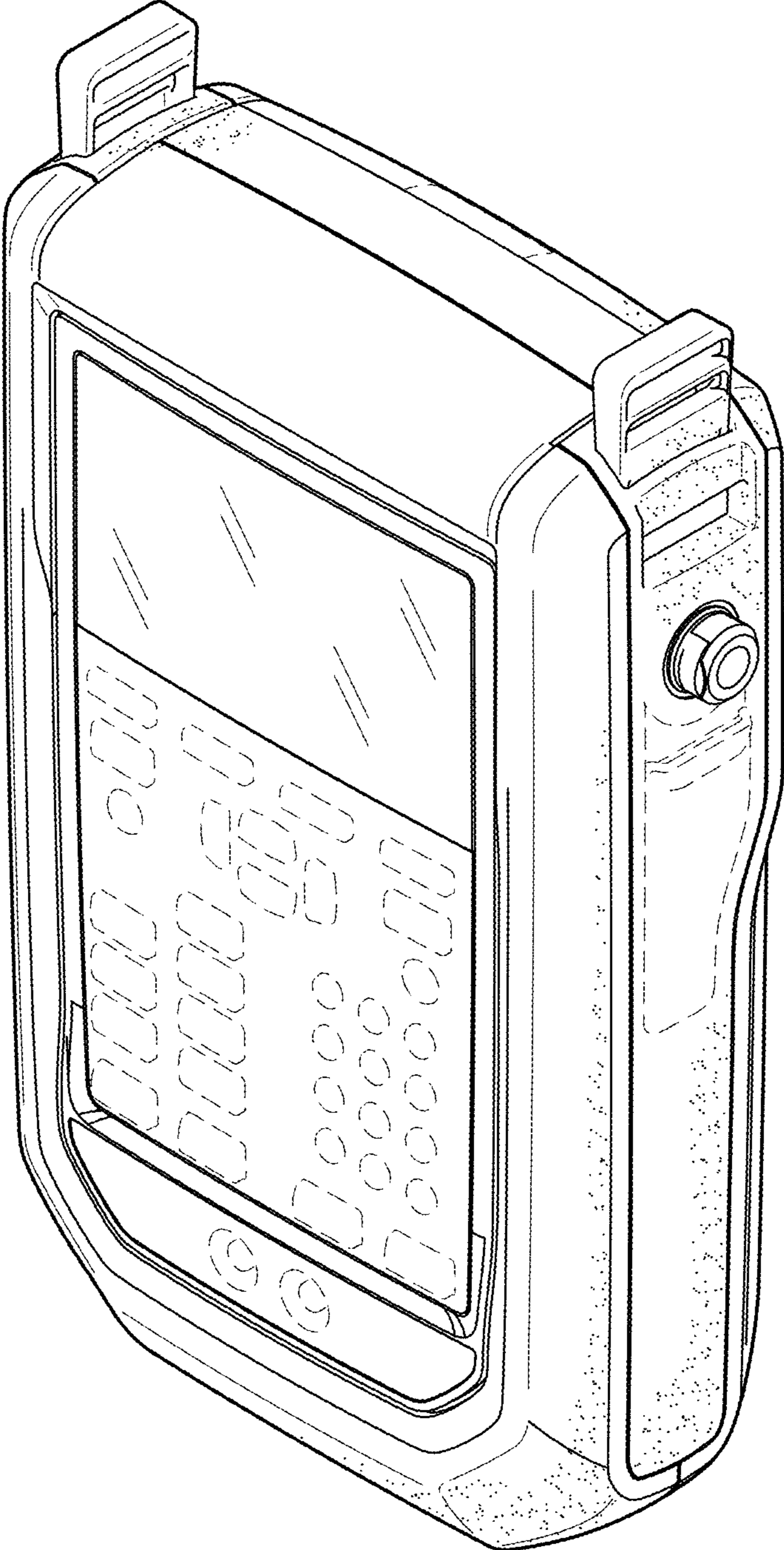


FIG.1

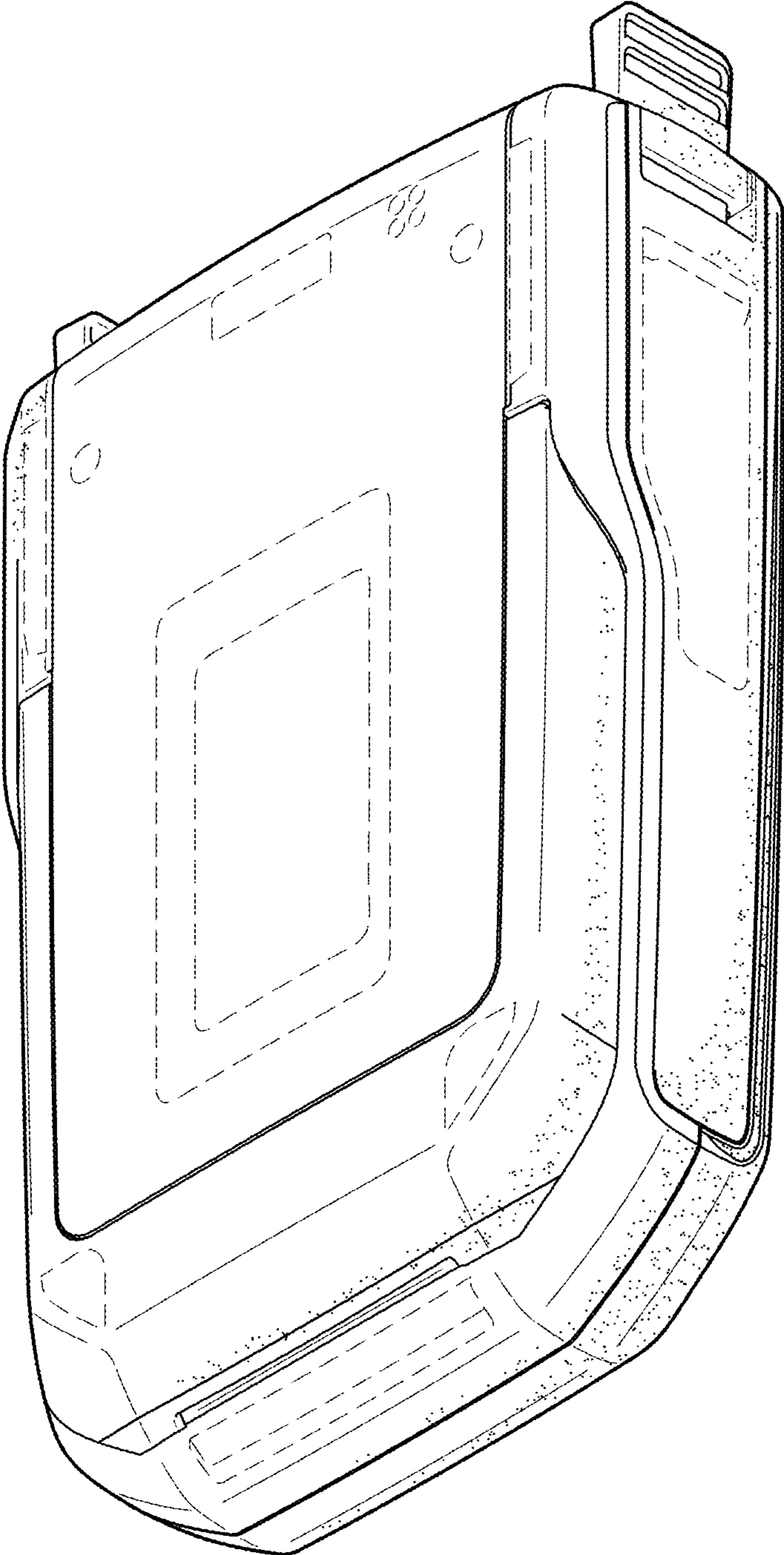


FIG.2

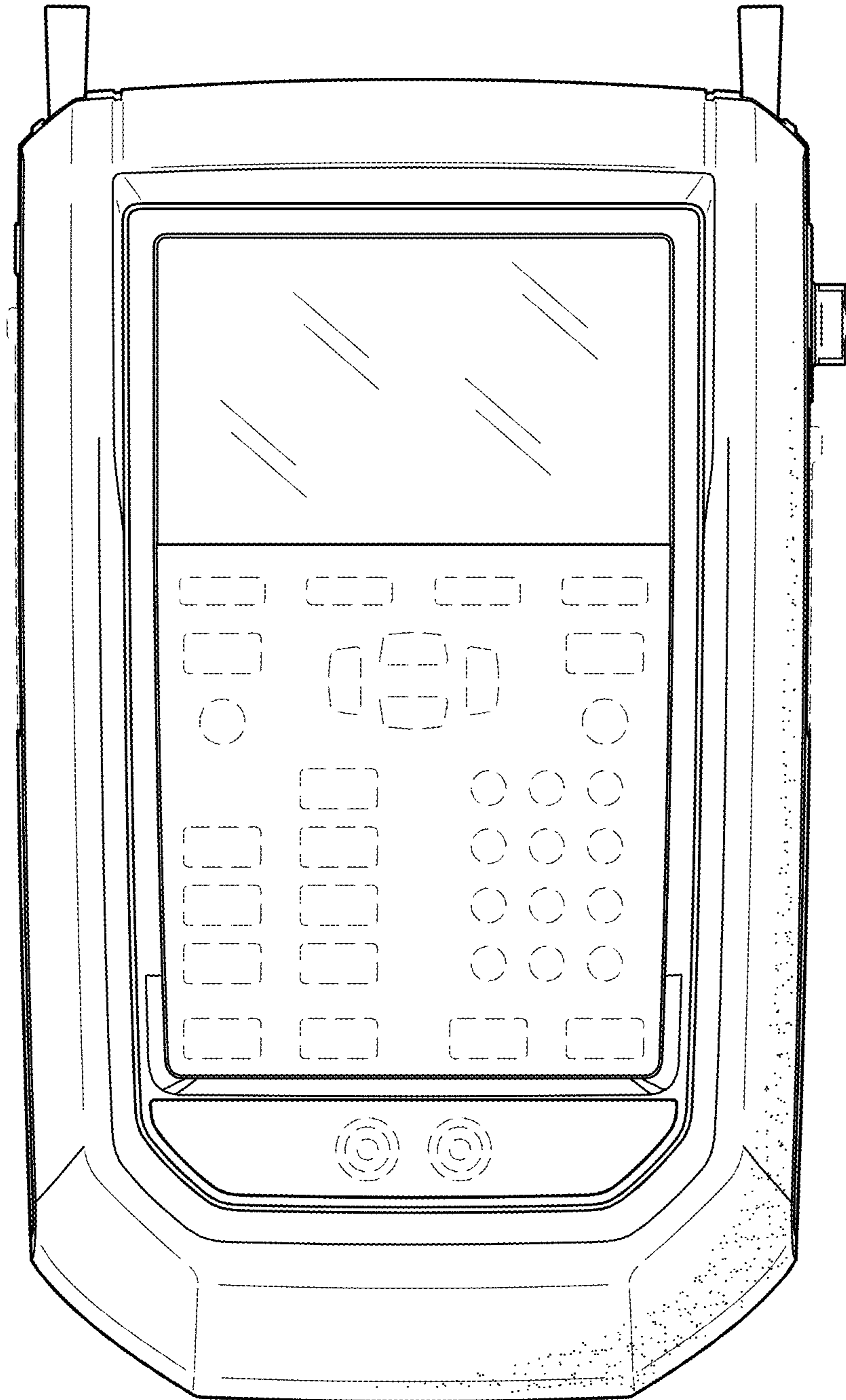


FIG.3

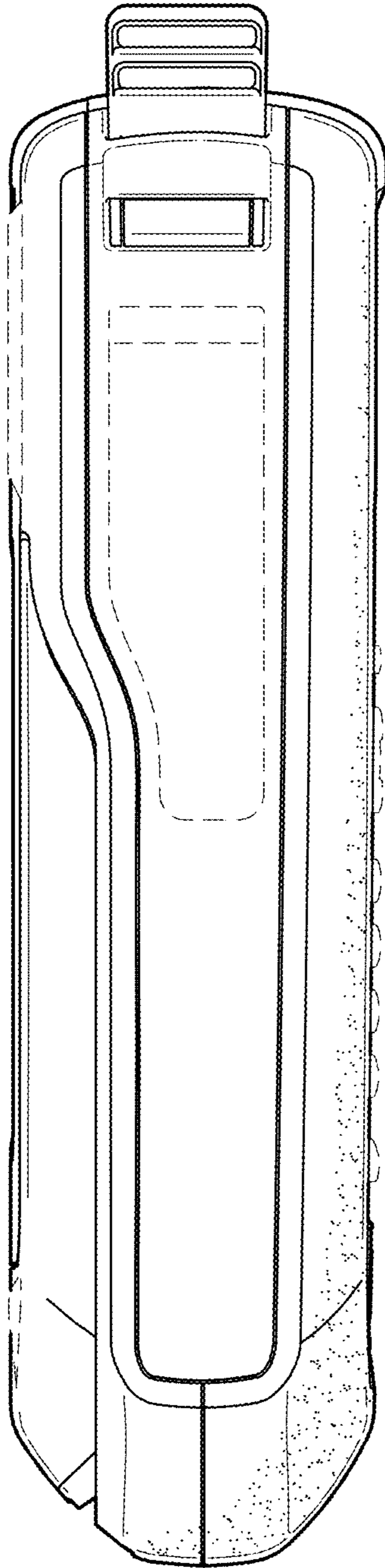


FIG.4

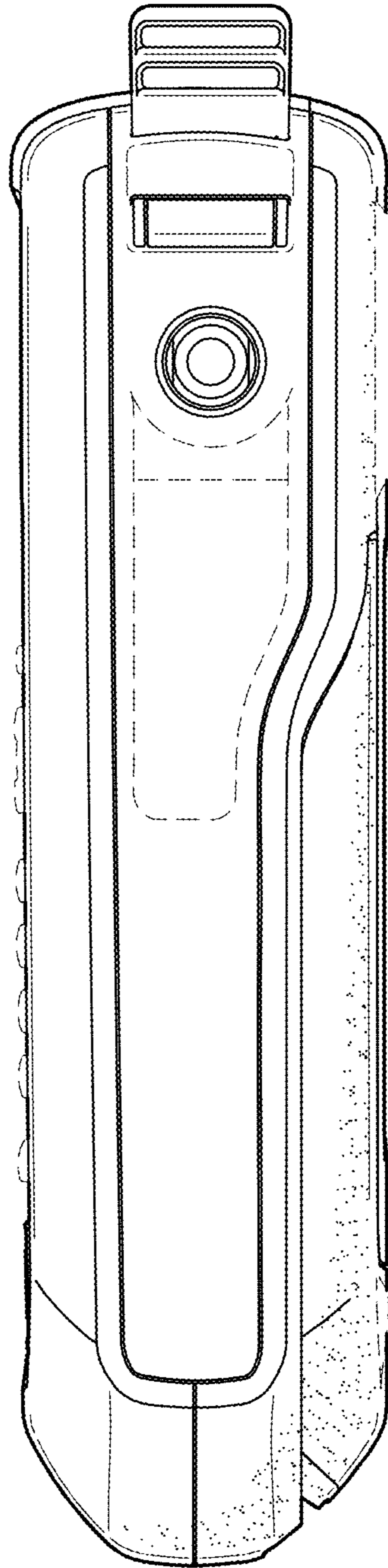


FIG.5

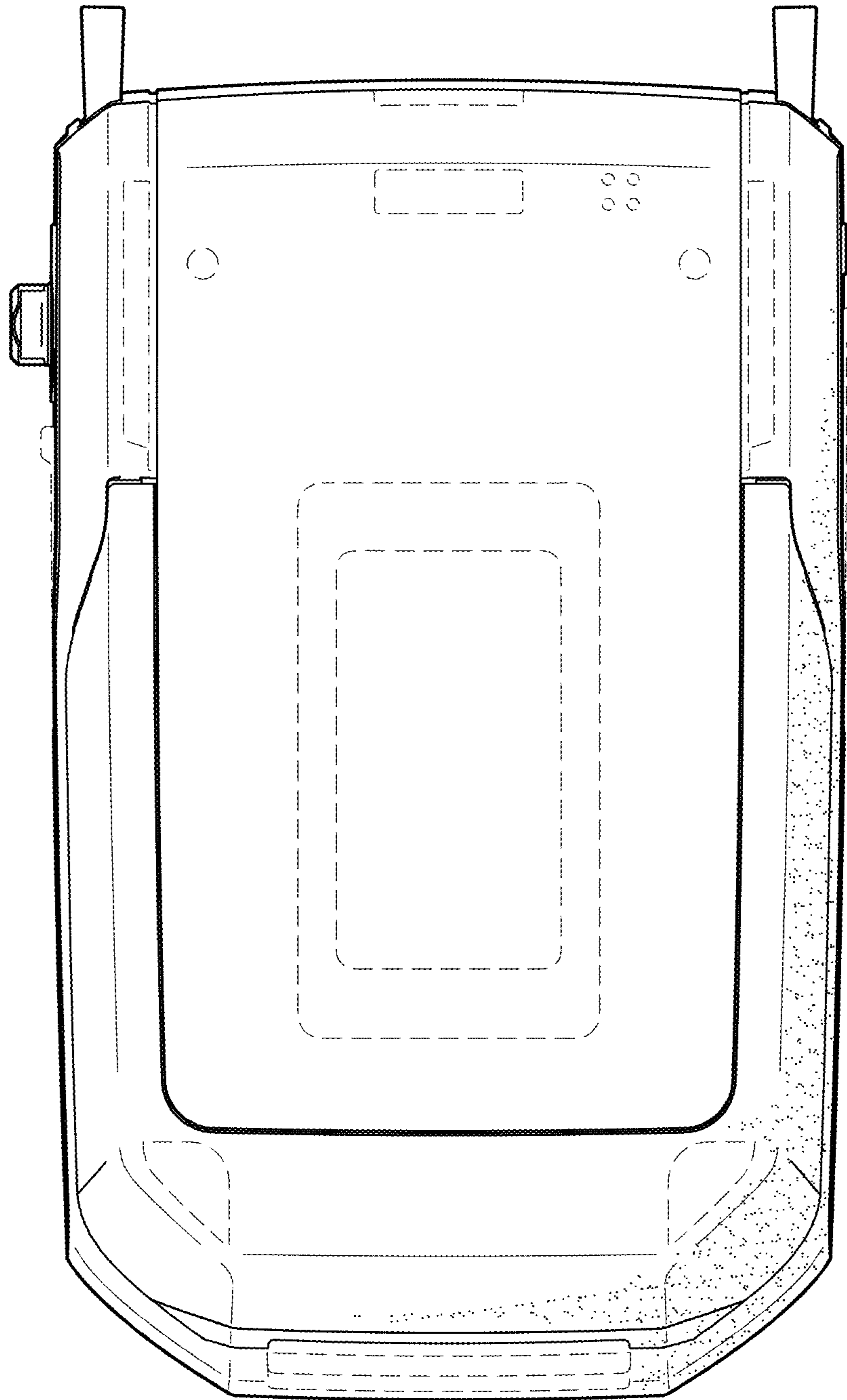


FIG.6

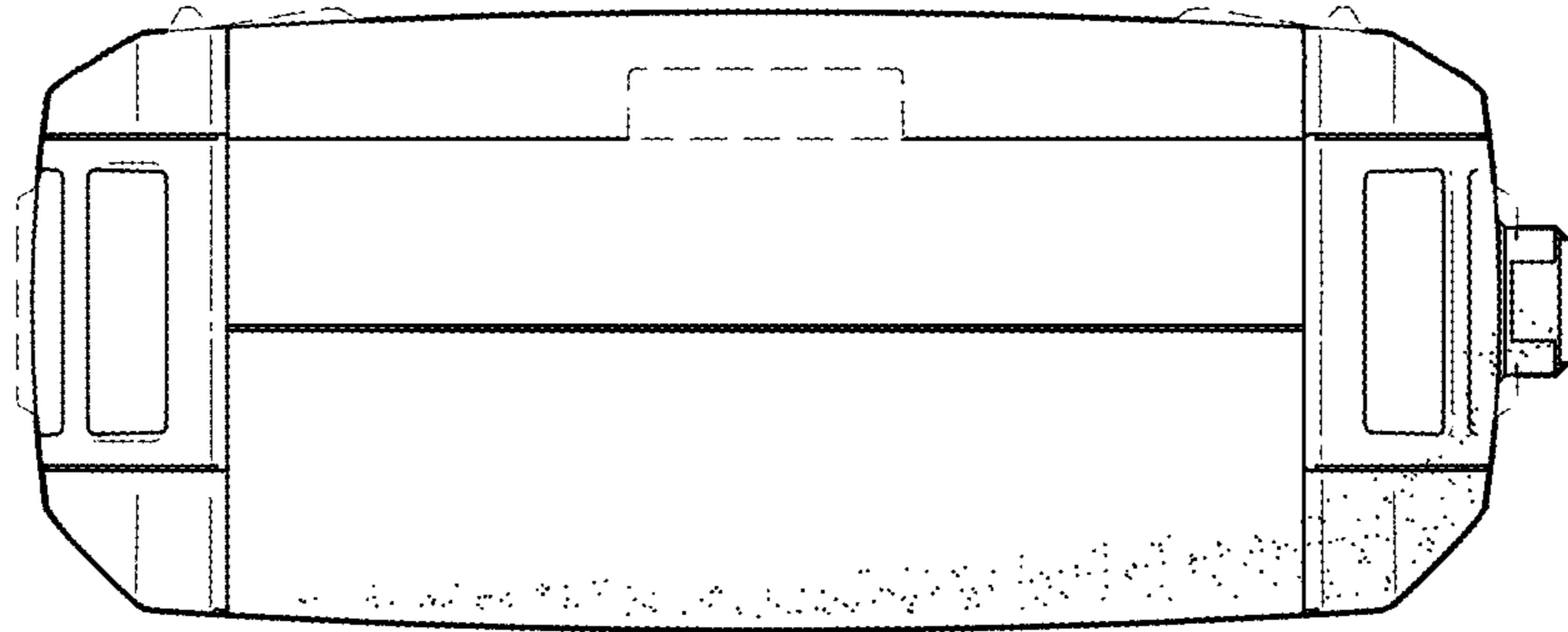


FIG. 7

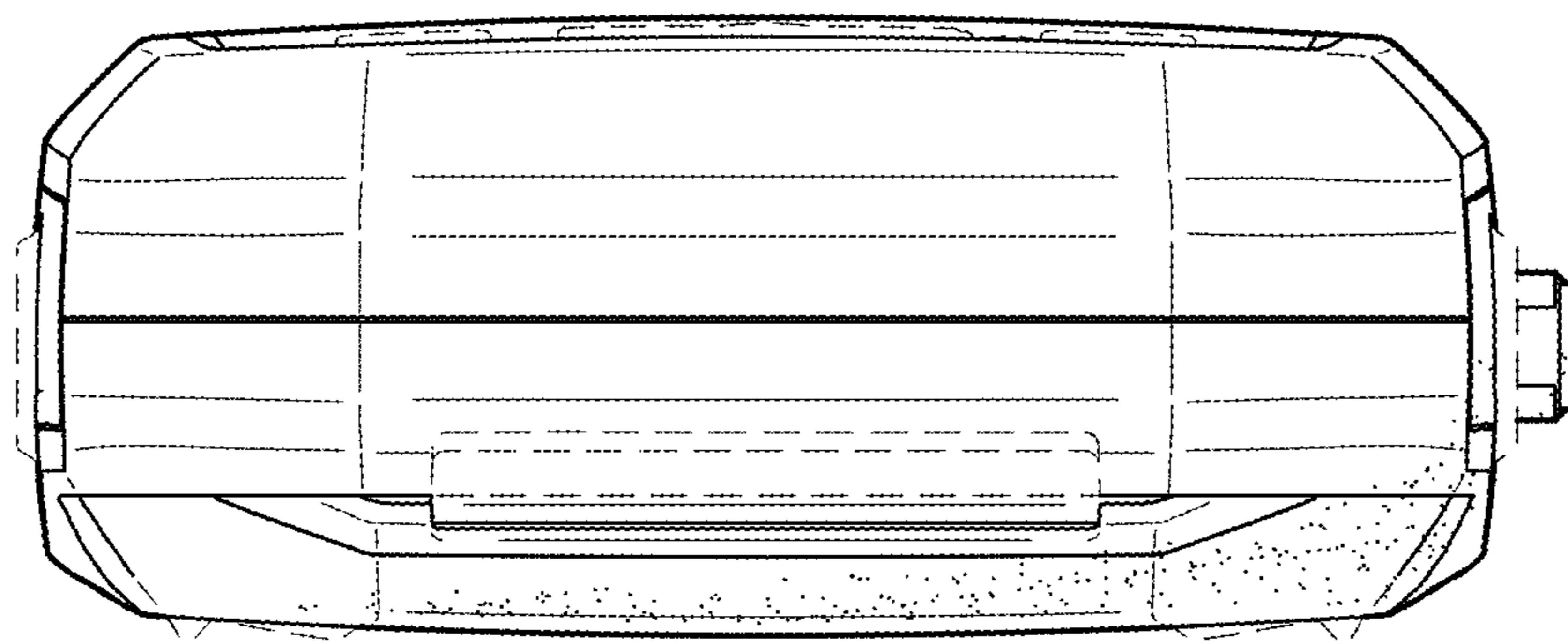


FIG. 8

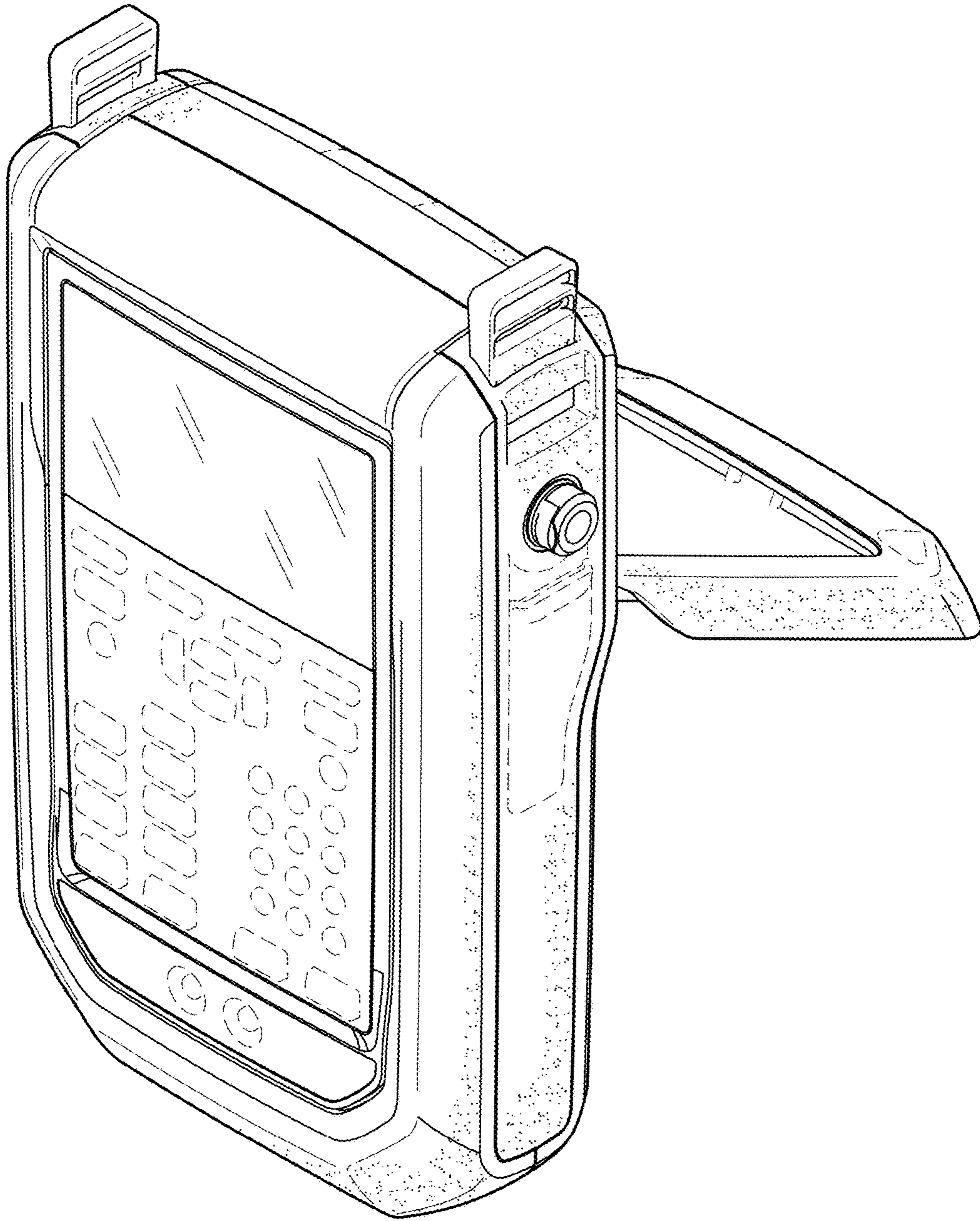


FIG.9

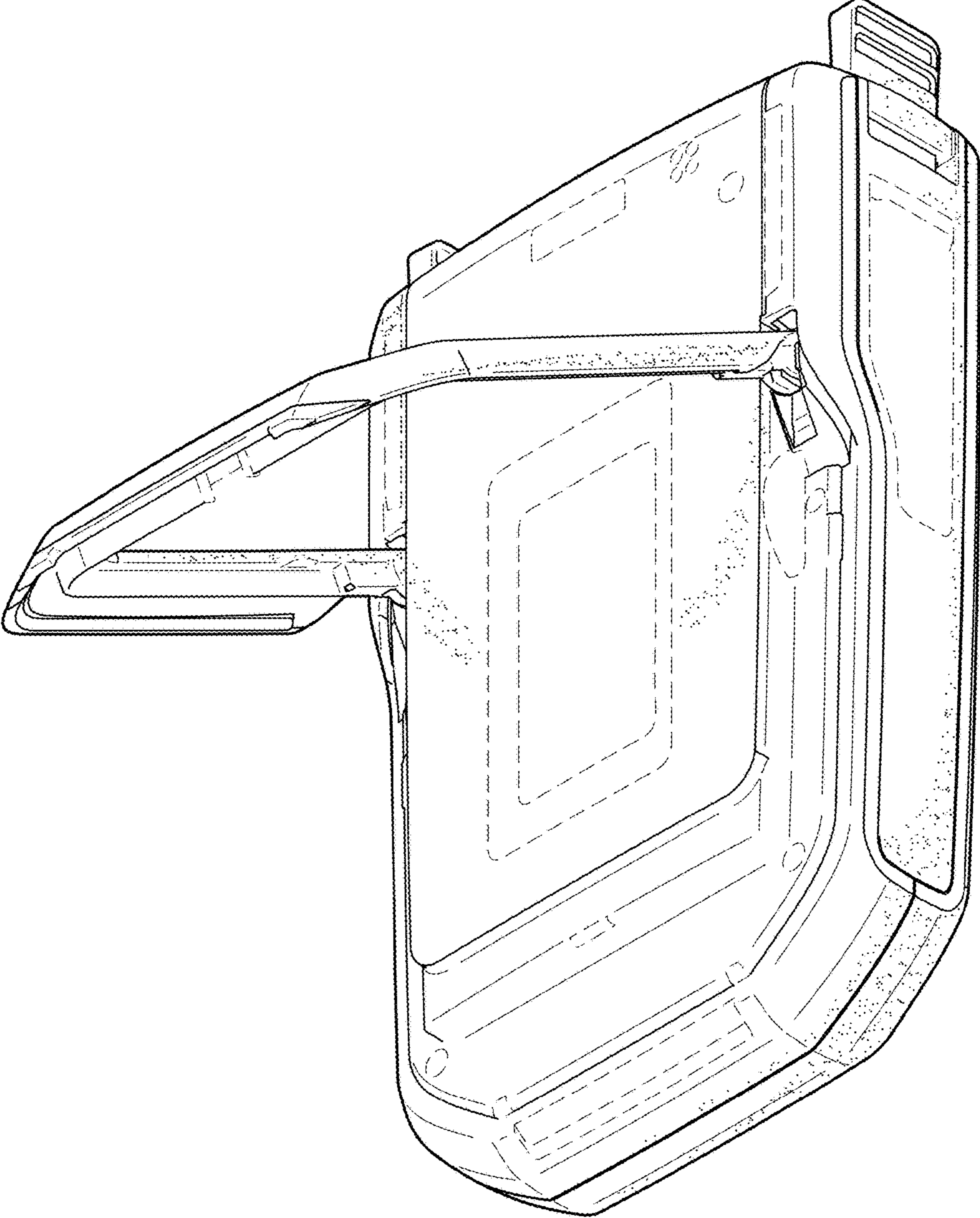


FIG.10

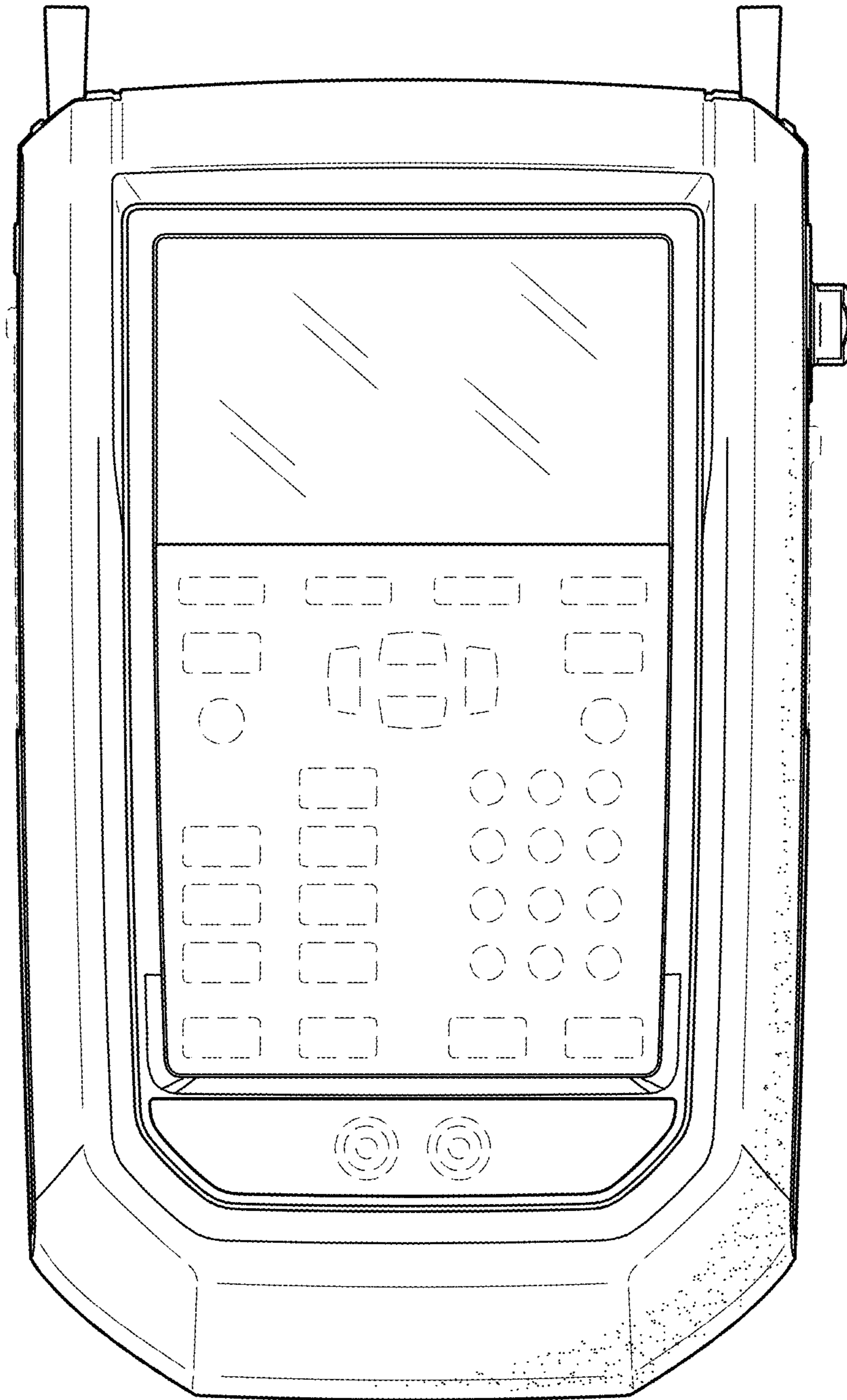


FIG.11

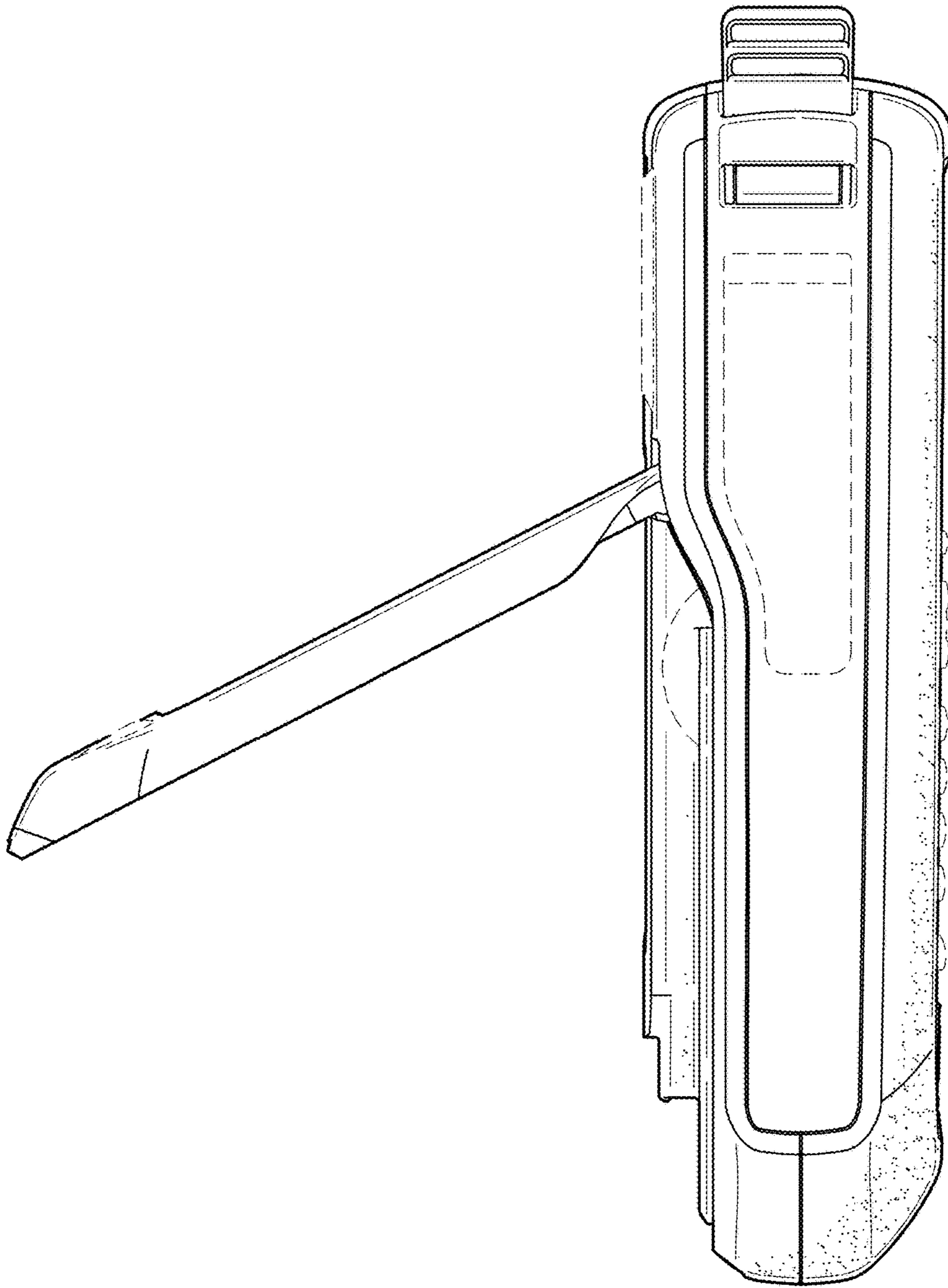


FIG.12

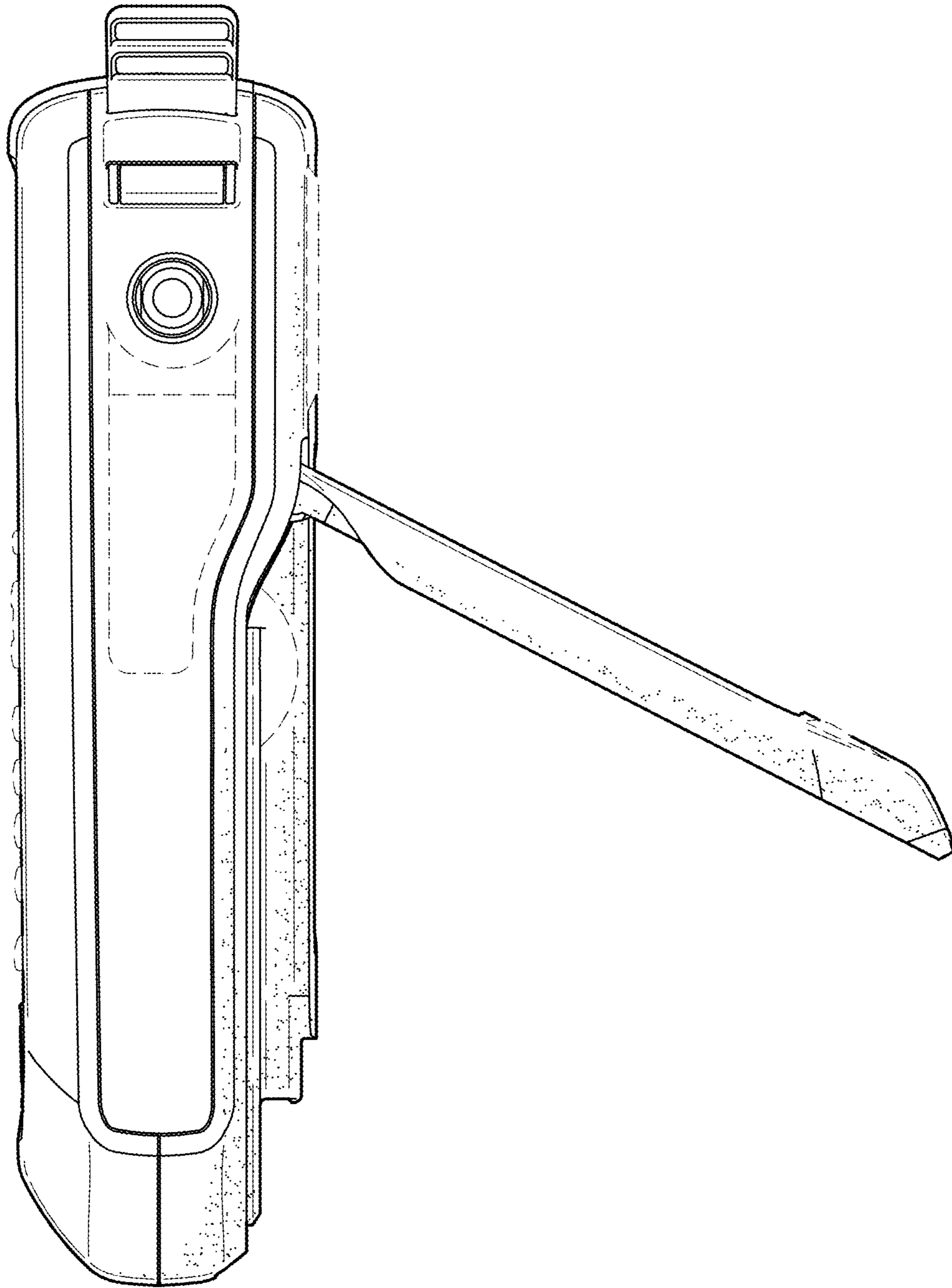


FIG.13

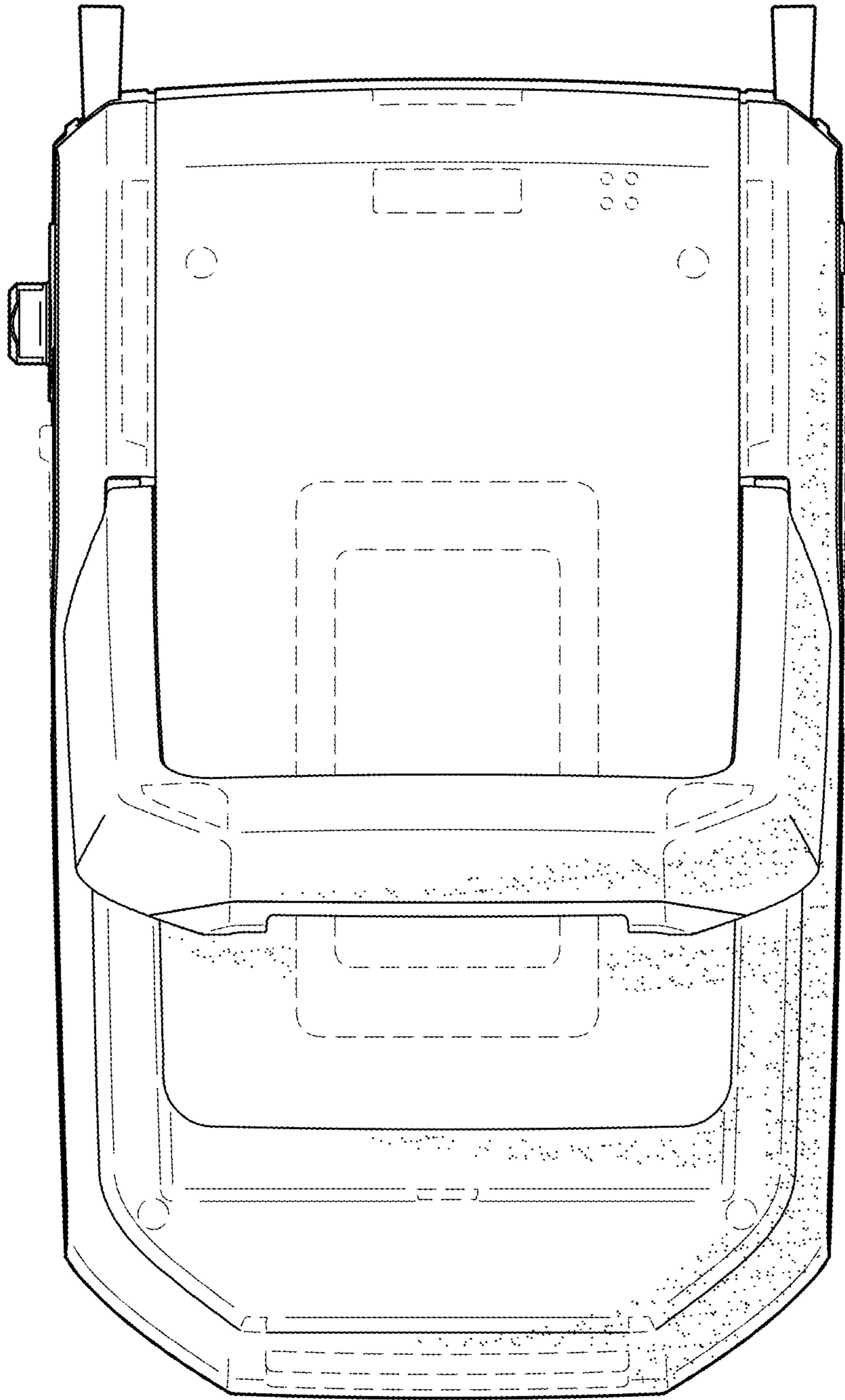


FIG.14

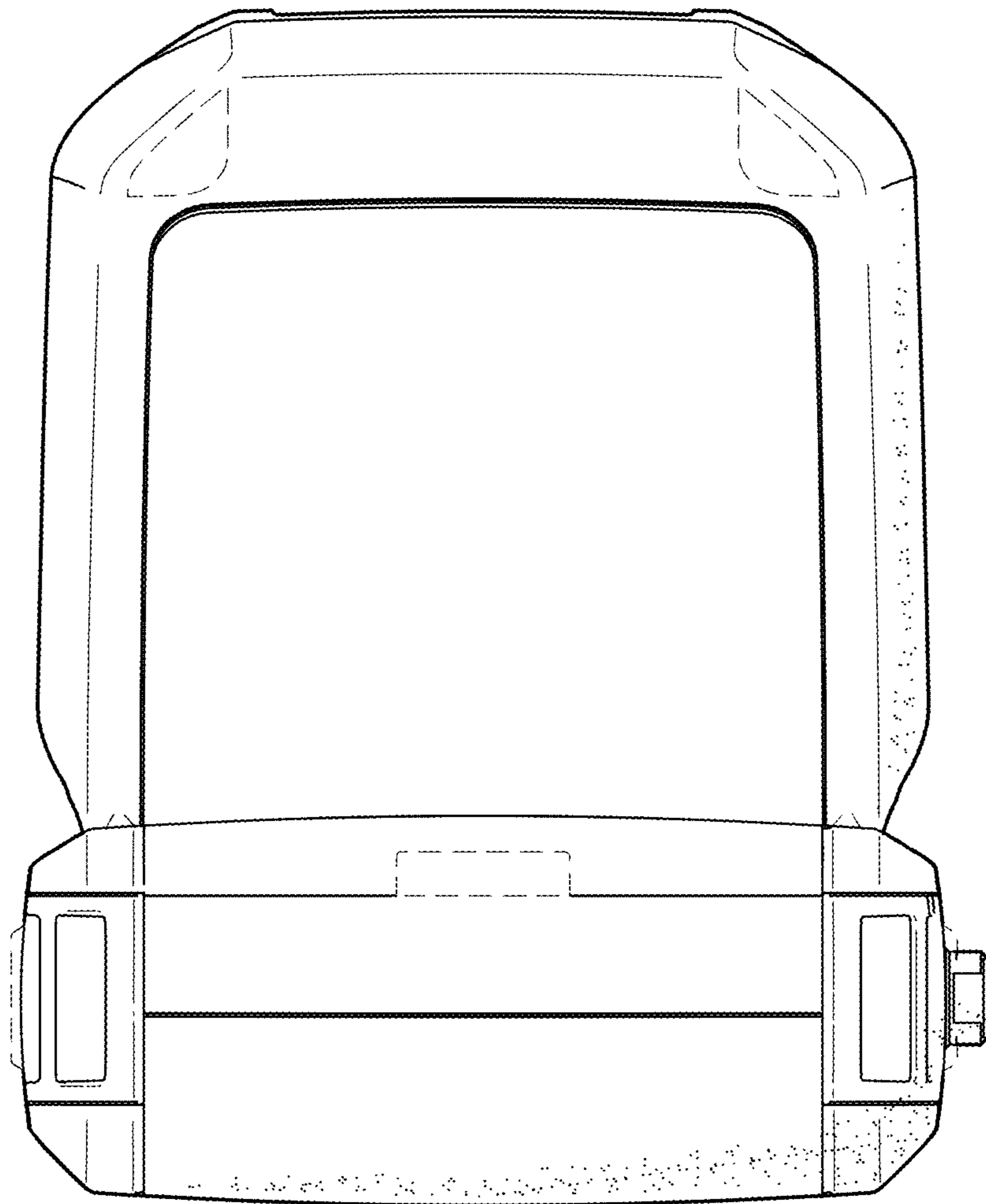


FIG.15

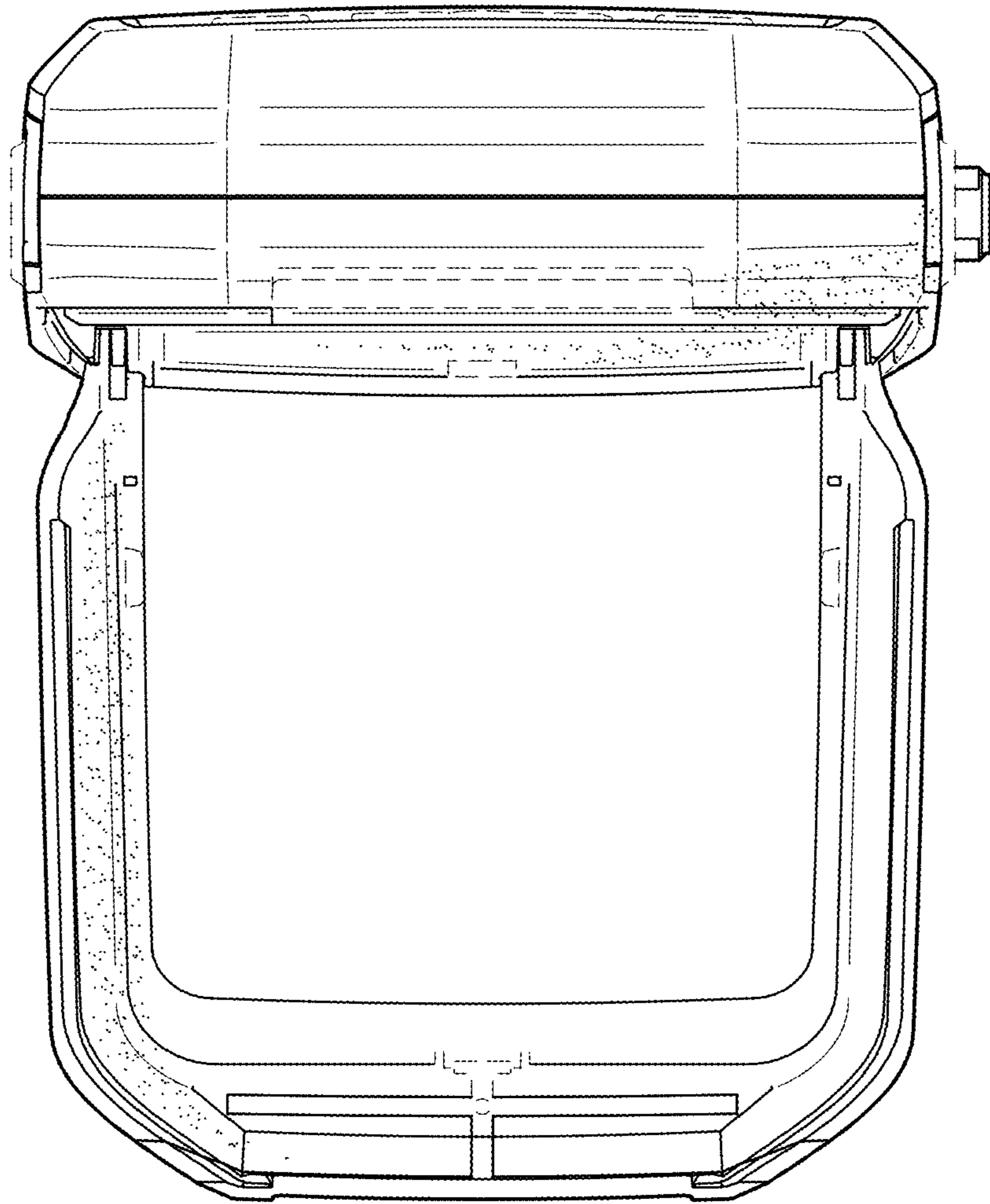


FIG.16