



US00D806590S

(12) **United States Design Patent** (10) **Patent No.:** **US D806,590 S**
Yang (45) **Date of Patent:** **** Jan. 2, 2018**

(54) **CALIPER WITH DIGITAL DISPLAY**

(71) Applicant: **Mian Yang**, Valencia, CA (US)

(72) Inventor: **Mian Yang**, Valencia, CA (US)

(**) Term: **15 Years**

(21) Appl. No.: **29/579,187**

(22) Filed: **Sep. 28, 2016**

(51) **LOC (11) Cl.** **10-04**

(52) **U.S. Cl.**
USPC **D10/73**

(58) **Field of Classification Search**
USPC D10/73
CPC . G01B 3/20; G01B 3/205; G01B 5/24; G01B 3/18; G01B 3/008
See application file for complete search history.

(56) **References Cited**

U.S. PATENT DOCUMENTS

D662,842 S *	7/2012	Zhang	D10/73
D695,638 S *	12/2013	Zhang	D10/73
D758,904 S *	6/2016	Edwards	D10/73
D794,479 S *	8/2017	Zhang	D10/73

* cited by examiner

Primary Examiner — Antoine Duval Davis

(74) *Attorney, Agent, or Firm* — Dunlap Bennett & Ludwig PLLC

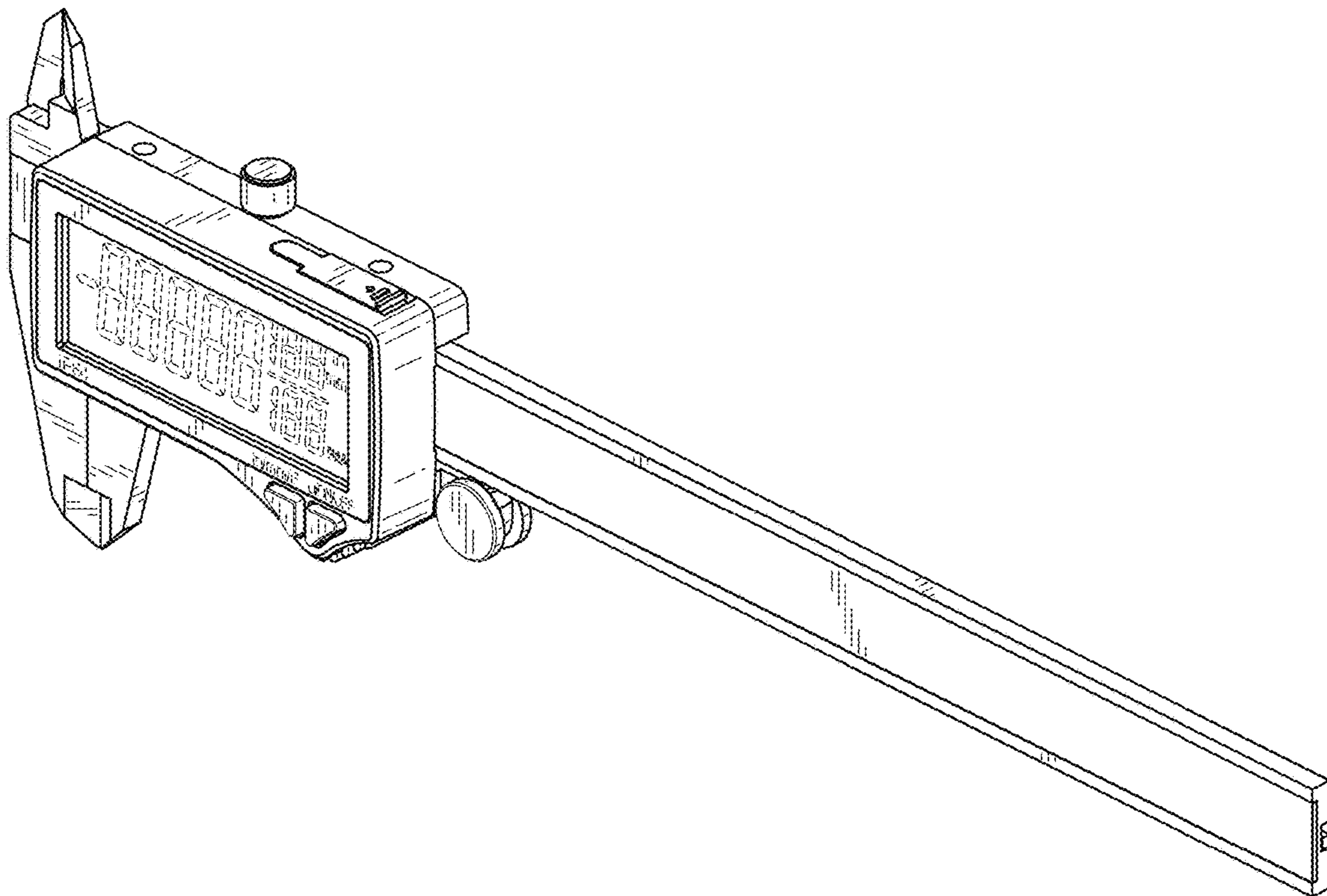
(57) **CLAIM**

The ornamental design for a caliper with digital display, as shown and described.

DESCRIPTION

FIG. 1 is a front perspective view of a caliper with digital display;
FIG. 2 is a front elevation view thereof;
FIG. 3 is a rear elevation view thereof;
FIG. 4 is a left elevation view thereof;
FIG. 5 is a right elevation view thereof;
FIG. 6 is a top plan view thereof; and,
FIG. 7 is a bottom plan view thereof.
The broken lines shown in the drawings depict portions of the caliper with digital display that form no part of the claimed design.

1 Claim, 4 Drawing Sheets



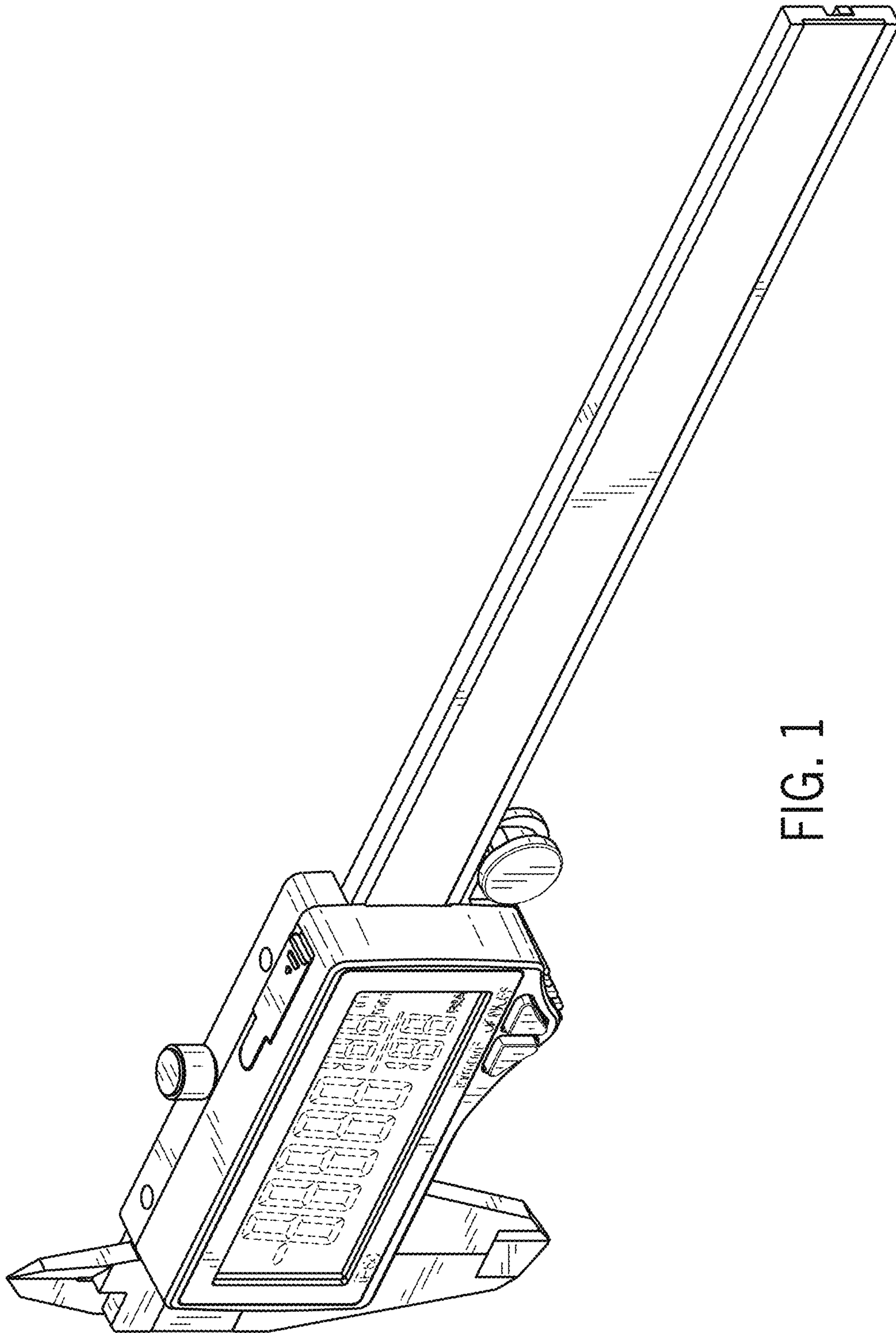


FIG. 1

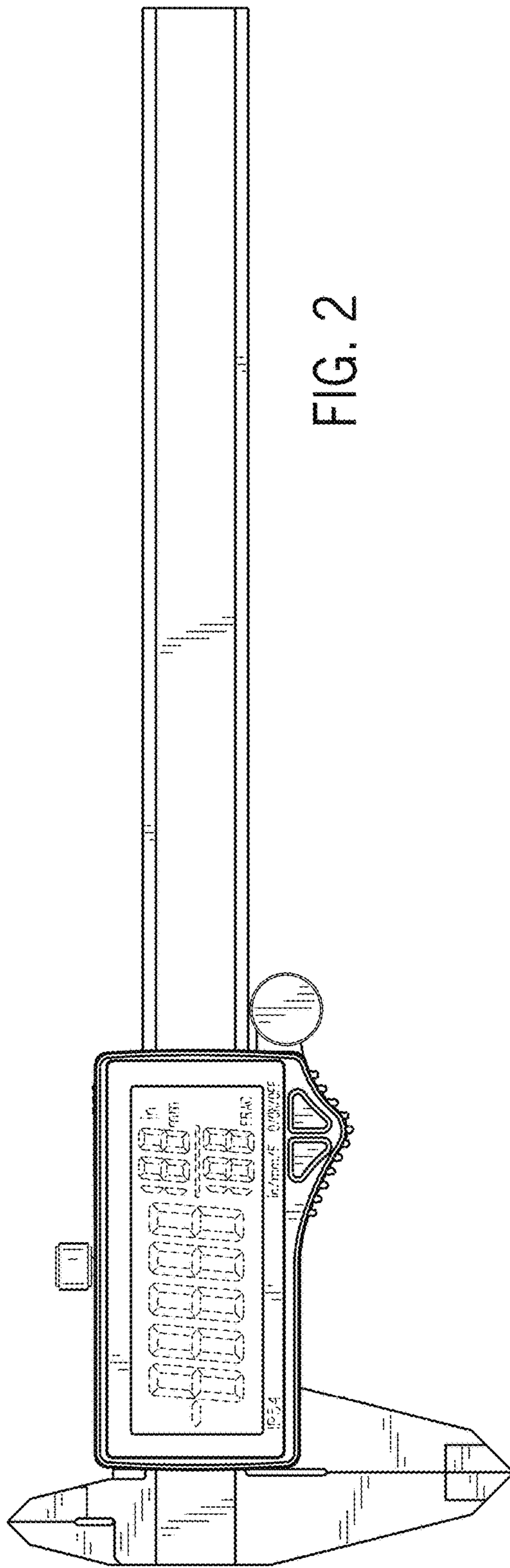


FIG. 2

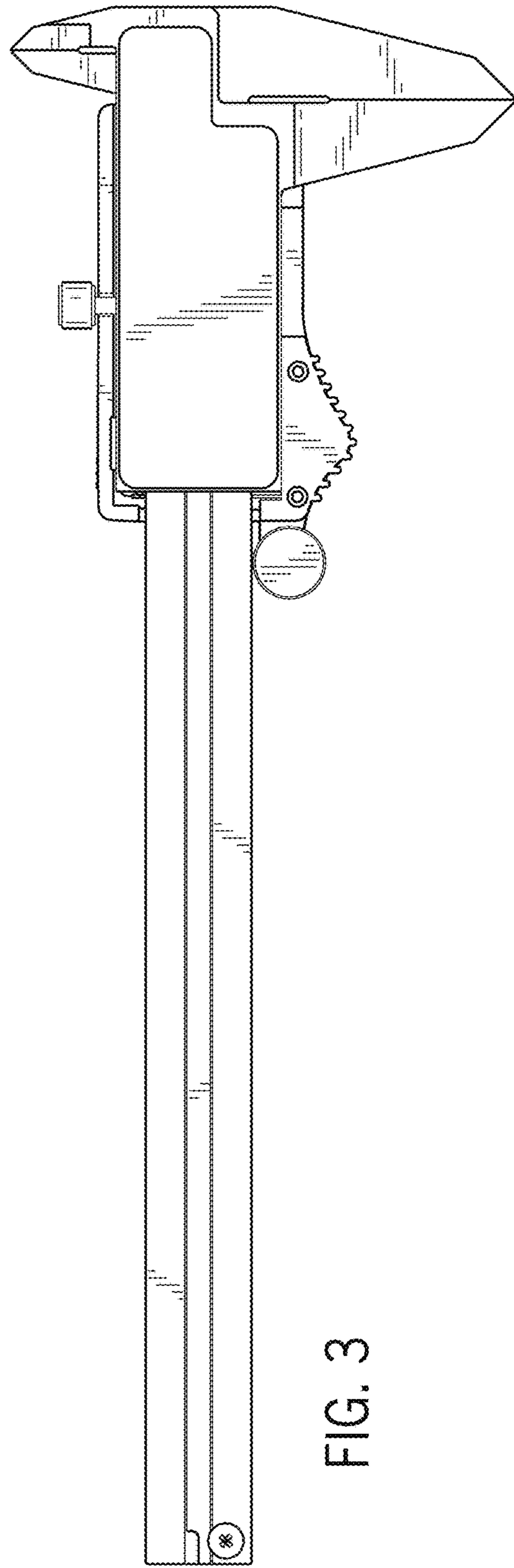


FIG. 3

FIG. 4

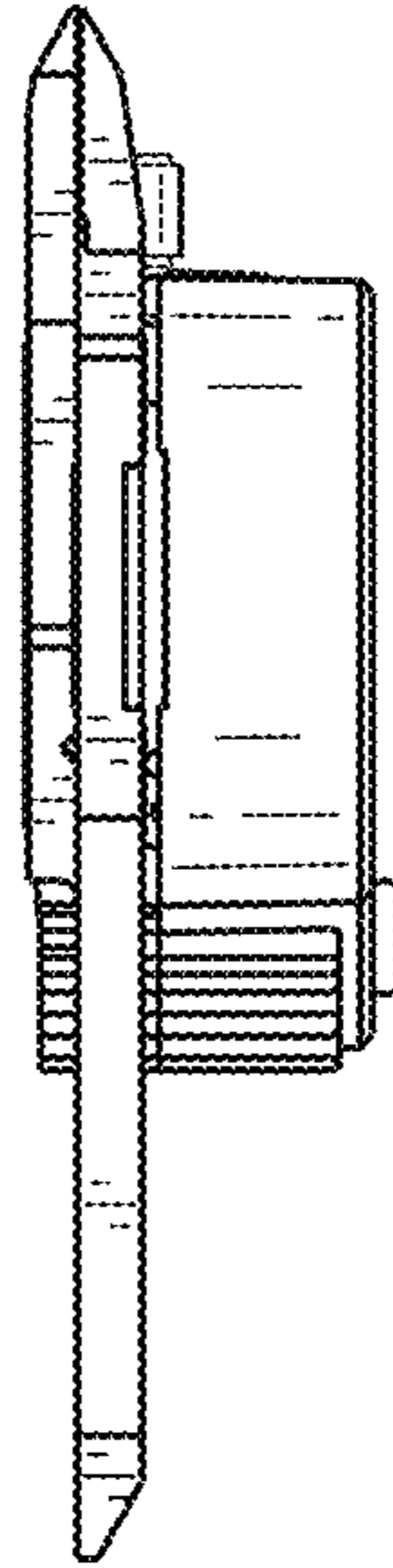
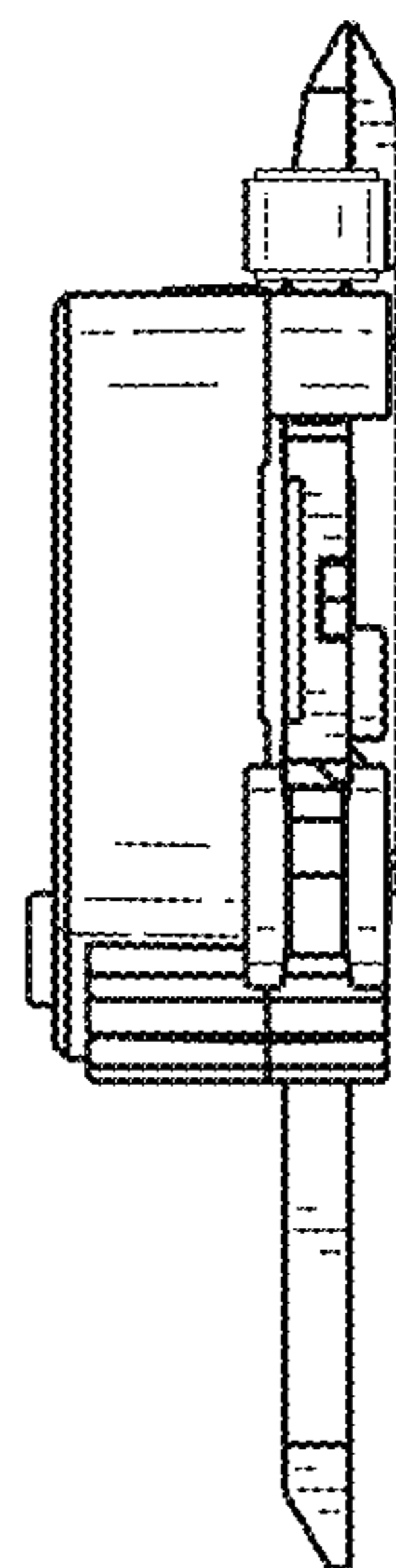


FIG. 5



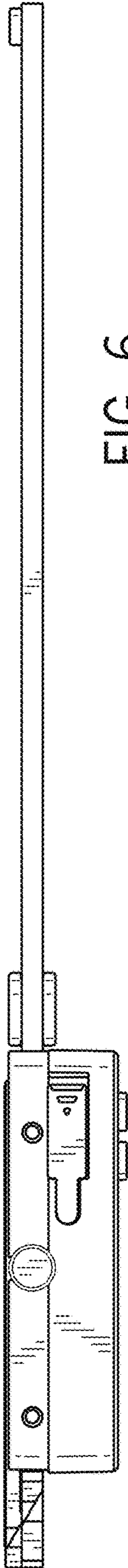


FIG. 6

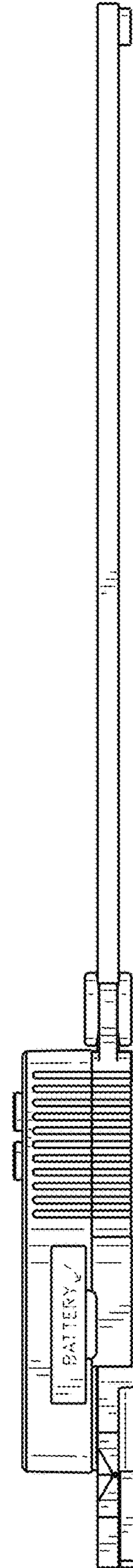


FIG. 7