



US00D806589S

(12) **United States Design Patent** (10) **Patent No.:** **US D806,589 S**
Le Bihan et al. (45) **Date of Patent:** **** Jan. 2, 2018**

(54) **ACTIVITY TRACKER**

(71) Applicants: **Anhui Huami Information Technology Co., Ltd.**, Hefei, Anhui (CN); **Huami Inc.**, Mountain view, CA (US)

(72) Inventors: **Ines Le Bihan**, Mountain View, CA (US); **Pengtao Yu**, Mountain View, CA (US); **Paul Kwok**, Mountain View, CA (US); **Lian Zhang**, Anhui (CN); **Xiaoyan Sun**, Anhui (CN)

(73) Assignees: **Anhui Huami Information Technology Co., Ltd.**, Hefei, Anhui (CN); **Huami Inc.**, Mountain View, CA (US)

(**) Term: **15 Years**

(21) Appl. No.: **29/588,838**

(22) Filed: **Dec. 23, 2016**

Related U.S. Application Data

(63) Continuation-in-part of application No. 29/572,561, filed on Jul. 28, 2016.

(51) **LOC (11) Cl.** **10-04**

(52) **U.S. Cl.**
USPC **D10/70; D10/38; D10/98; D14/344; D24/186**

(58) **Field of Classification Search**

USPC **D10/30-39, 65, 70, 78, 97, 98; D11/3; D14/138, 203.5, 203.6, 341, 344, 347 R; D24/167, 168, 186**

(Continued)

(56) **References Cited**

U.S. PATENT DOCUMENTS

D703,086 S * 4/2014 Calvani D11/3
D726,052 S * 4/2015 Henning D10/70

(Continued)

Primary Examiner — Antoine D Davis

(74) *Attorney, Agent, or Firm* — Young Basile Hanlon & MacFarlane, P.C.

(57) **CLAIM**

The ornamental design for an activity tracker, as shown and described.

DESCRIPTION

FIG. 1 is a perspective view of the front and left side of a first embodiment of an activity tracker.

FIG. 2 is a front view of the activity tracker of FIG. 1.

FIG. 3 is a rear view of the activity tracker of FIG. 1.

FIG. 4 is a right side view of the activity tracker of FIG. 1.

FIG. 5 is a left side view of the activity tracker of FIG. 1.

FIG. 6 is a top view of the activity tracker of FIG. 1.

FIG. 7 is a bottom view of the activity tracker of FIG. 1.

FIG. 8 is a detail view of the activity tracker as indicated in FIG. 1.

FIG. 9 is a detail view of the activity tracker as indicated in FIG. 2.

FIG. 10 is a perspective view of the front and left side of a second embodiment of an activity tracker.

FIG. 11 is a front view of the activity tracker of FIG. 10.

FIG. 12 is a rear view of the activity tracker of FIG. 10.

FIG. 13 is a right side view of the activity tracker of FIG. 10.

FIG. 14 is a left side view of the activity tracker of FIG. 10.

FIG. 15 is a top view of the activity tracker of FIG. 10.

FIG. 16 is a bottom view of the activity tracker of FIG. 10.

FIG. 17 is a perspective view of the front and left side of a third embodiment of an activity tracker.

FIG. 18 is a front view of the activity tracker of FIG. 17.

FIG. 19 is a rear view of the activity tracker of FIG. 17.

FIG. 20 is a right side view of the activity tracker of FIG. 17.

FIG. 21 is a left side view of the activity tracker of FIG. 17.

FIG. 22 is a top view of the activity tracker of FIG. 17.

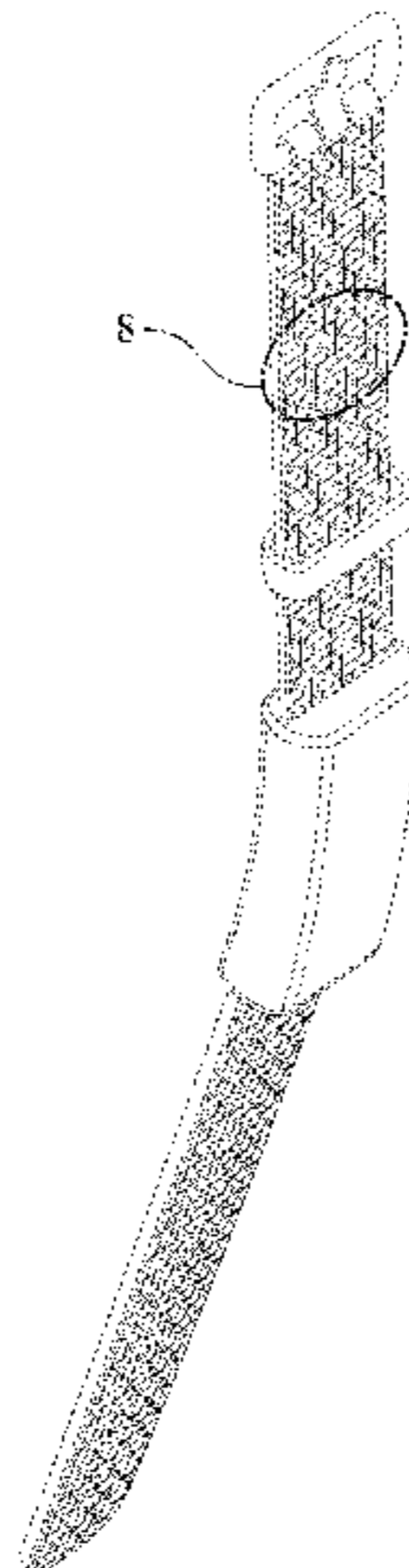
FIG. 23 is a bottom view of the activity tracker of FIG. 17.

FIG. 24 is a detail view of the activity tracker as indicated in FIG. 17.

FIG. 25 is a detail view of the activity tracker as indicated in FIG. 18; and,

FIG. 26 is a cross-sectional view taken along line 26-26 in FIG. 25.

(Continued)



The ornamental design which is claimed is shown in solid lines in the drawings. The broken lines in the drawings form no part of the claimed design.

1 Claim, 12 Drawing Sheets

(58) **Field of Classification Search**

CPC A41D 1/02; A44C 5/0015; A44C 5/02;
A44C 5/14; A61B 19/44; A61B
2019/446; A63B 71/06; A63B 26/00;
A63B 24/0075; A63B 2071/0663; G09F
3/005; G06F 1/163; G06F 3/038; G06F
3/03547; G04G 17/00; G04G 17/08

See application file for complete search history.

(56) **References Cited**

U.S. PATENT DOCUMENTS

D729,646 S *	5/2015	Phillips	D10/103
D731,898 S *	6/2015	Squires	D10/30
D735,598 S *	8/2015	Hines	D11/3
D757,722 S *	5/2016	Akana	D10/31
D764,340 S *	8/2016	Akana	D11/3
D764,341 S *	8/2016	Akana	D11/3
D779,348 S *	2/2017	Haapakoski	D10/39
D787,960 S *	5/2017	Park	D10/39

* cited by examiner

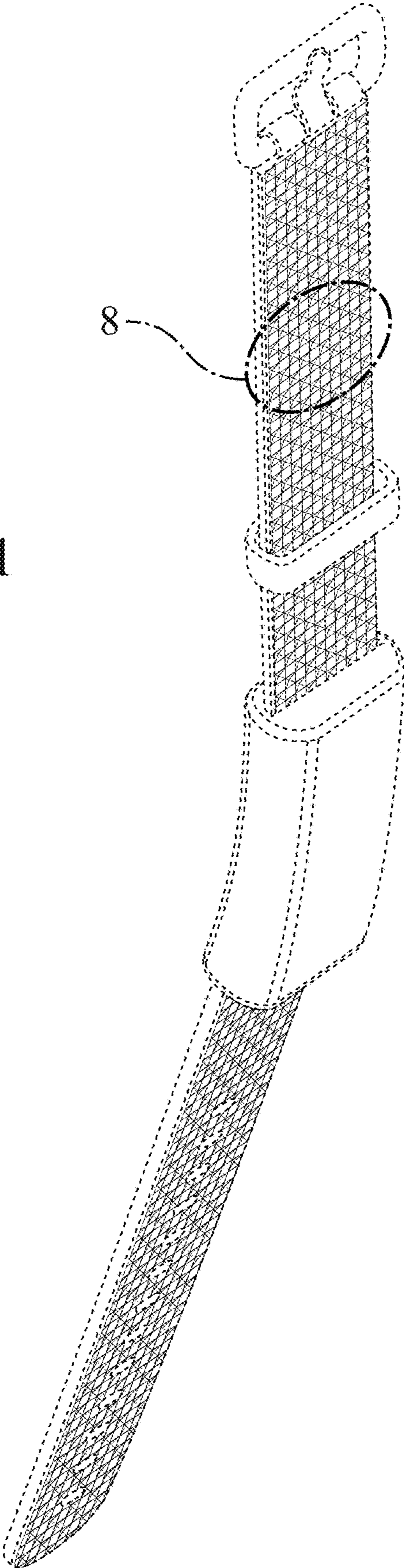
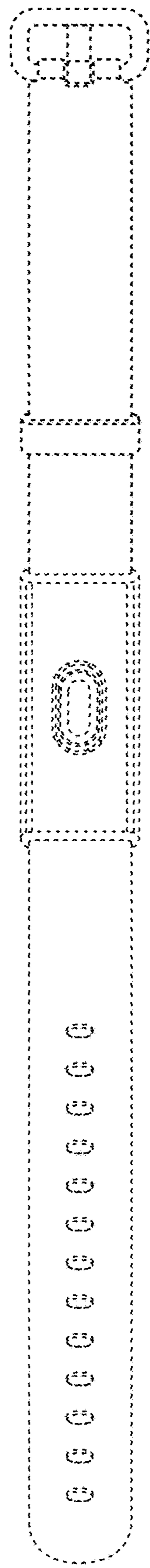
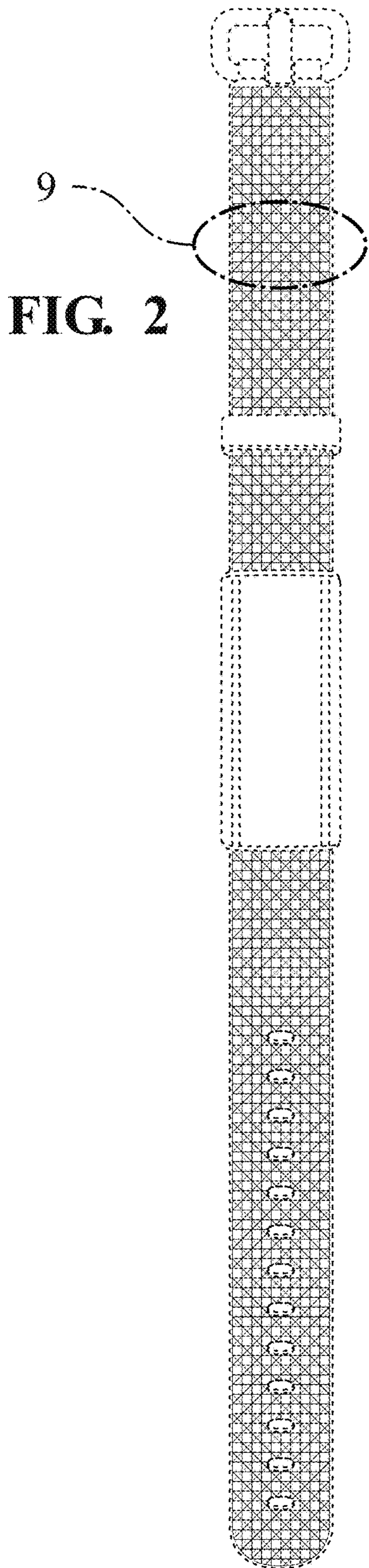


FIG. 1



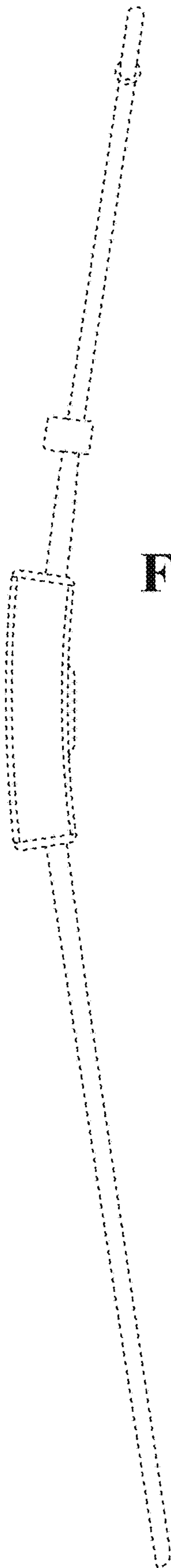


FIG. 4

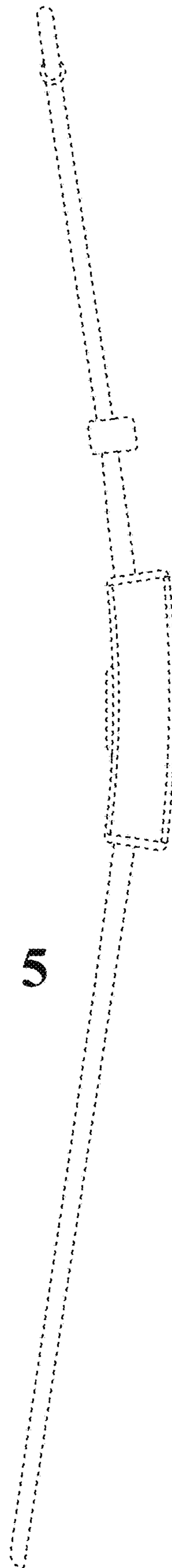


FIG. 5

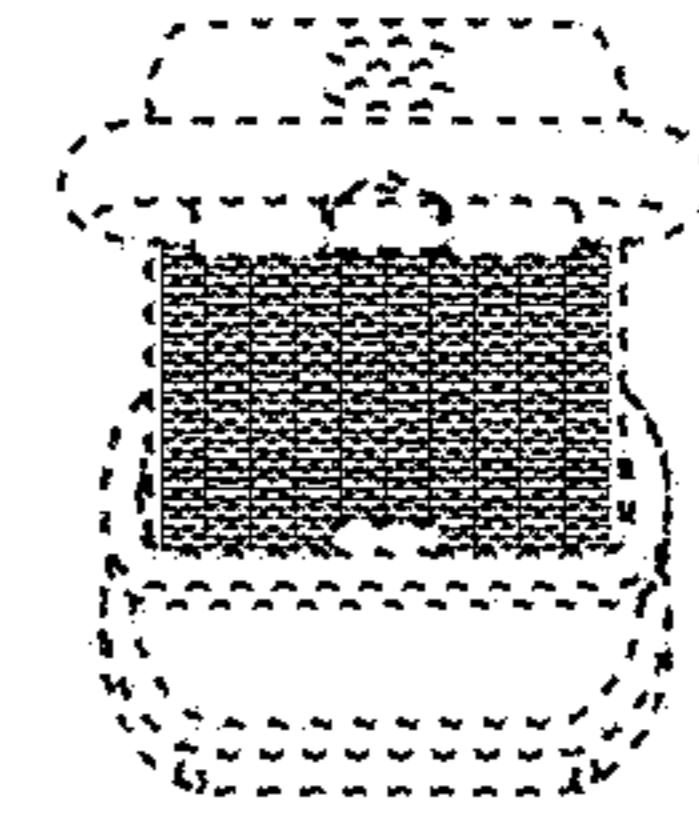


FIG. 6

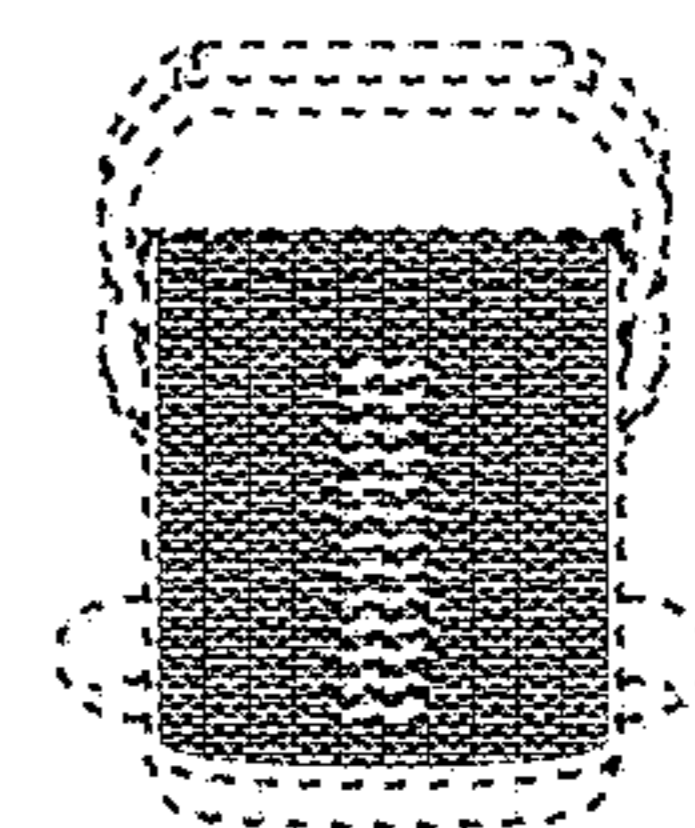


FIG. 7

FIG. 8

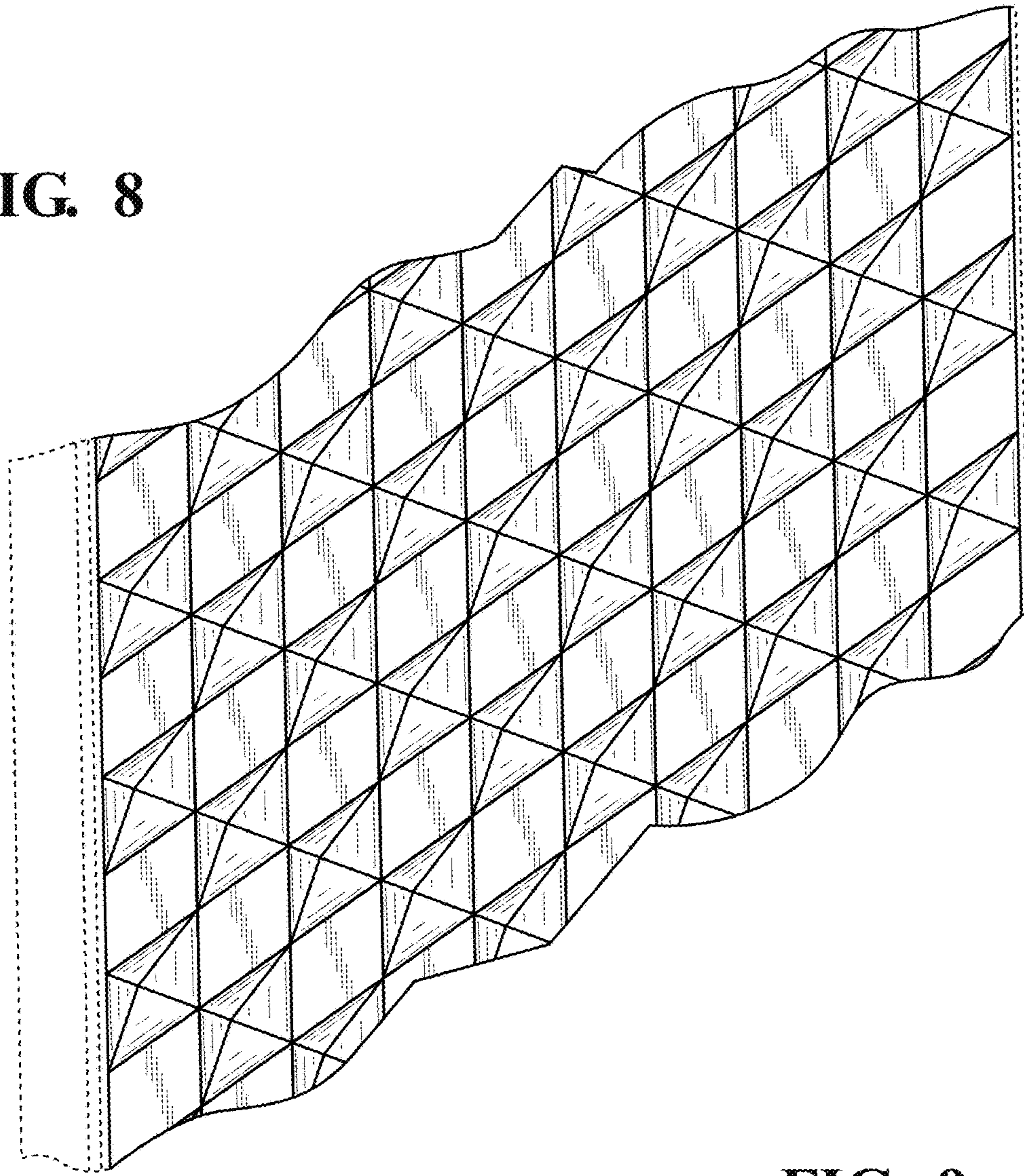


FIG. 9

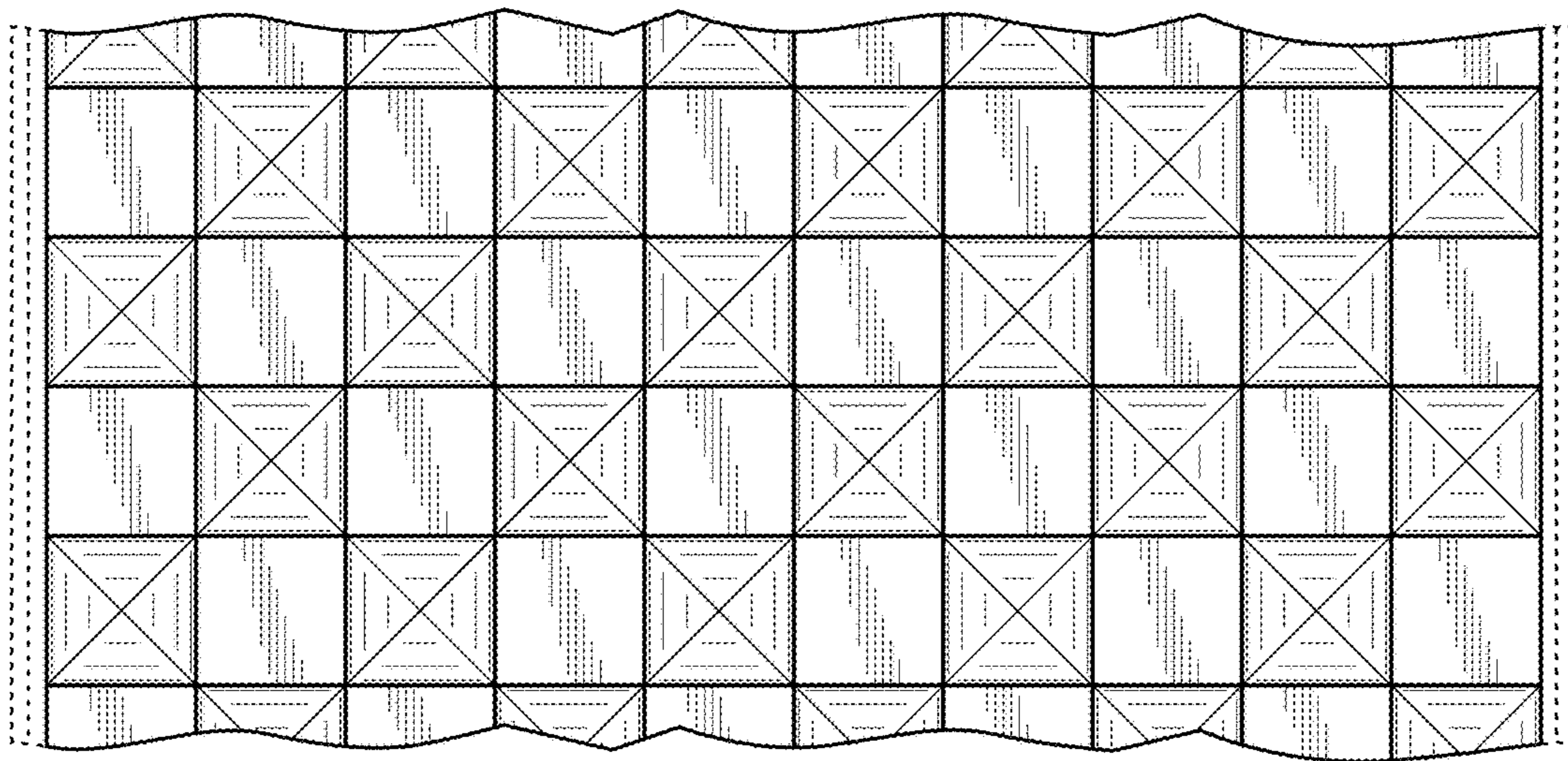


FIG. 10

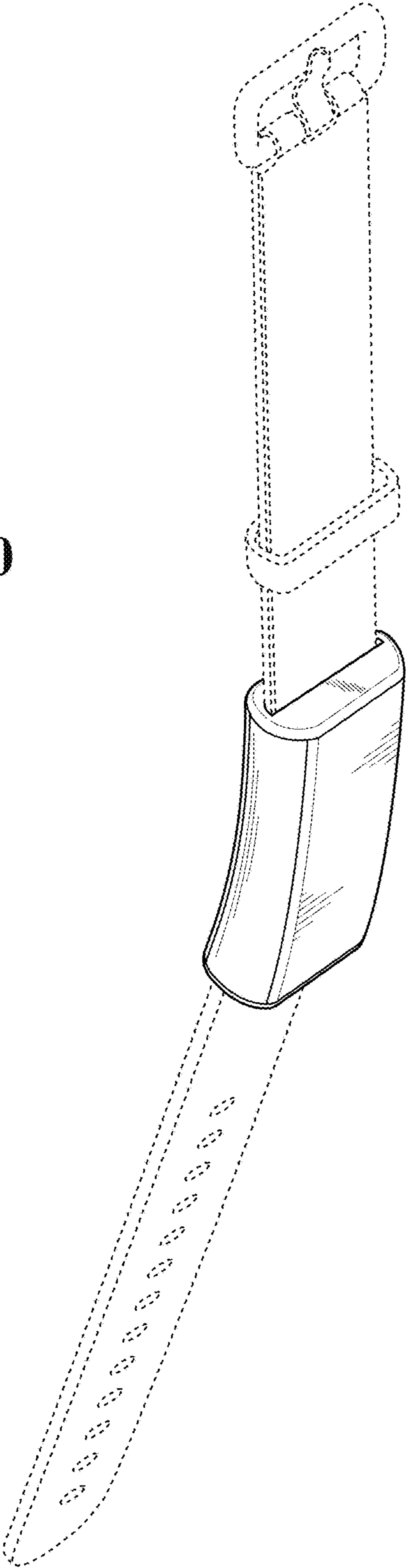


FIG. 11

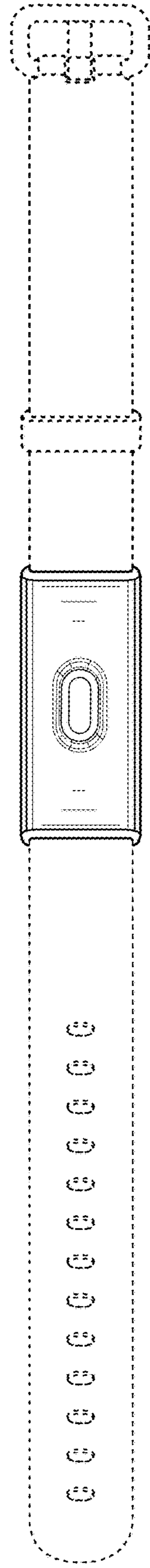
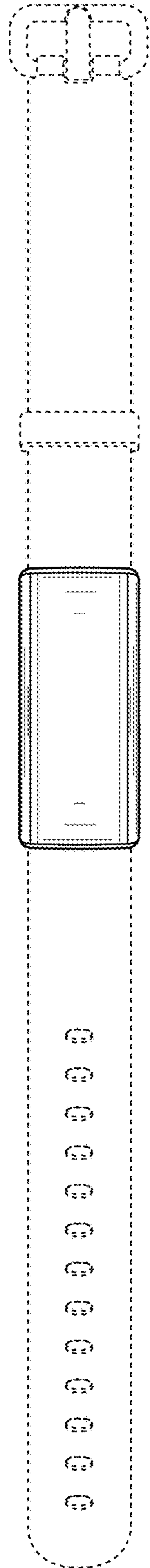


FIG. 12

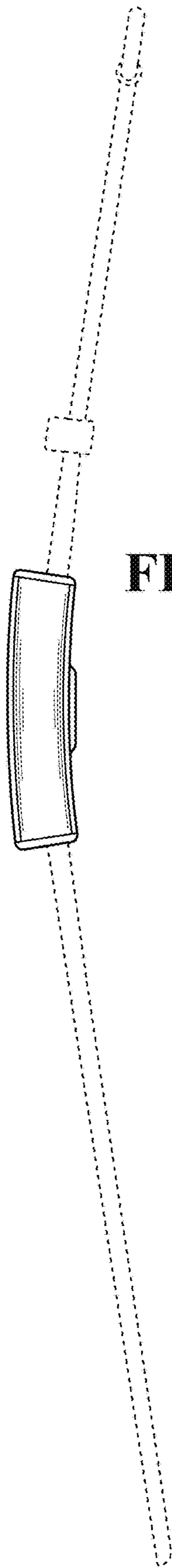


FIG. 13

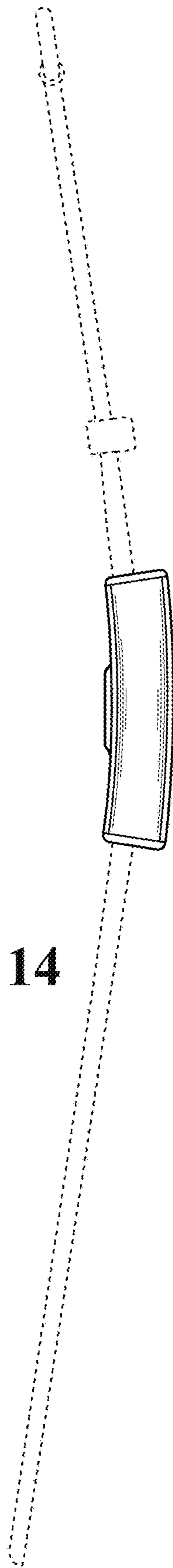


FIG. 14

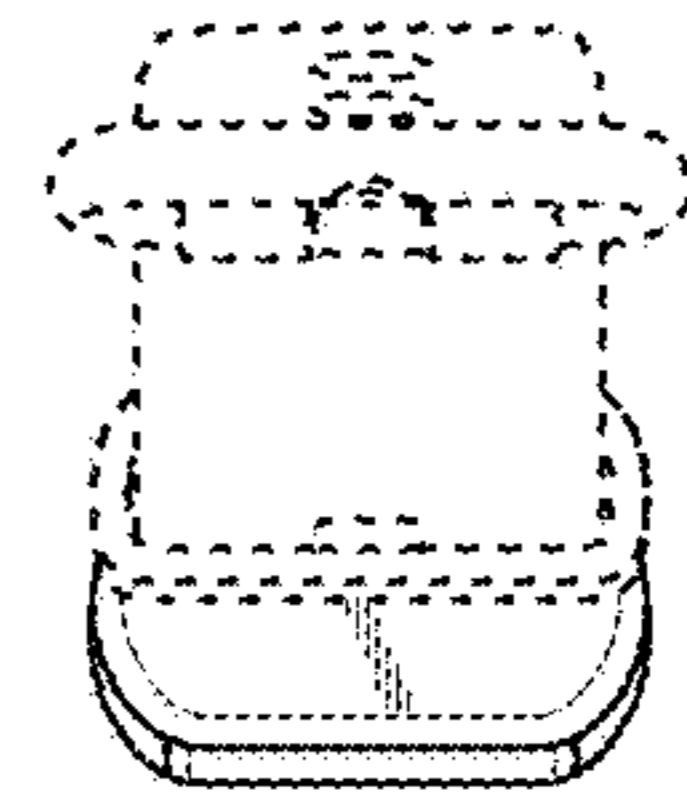


FIG. 15

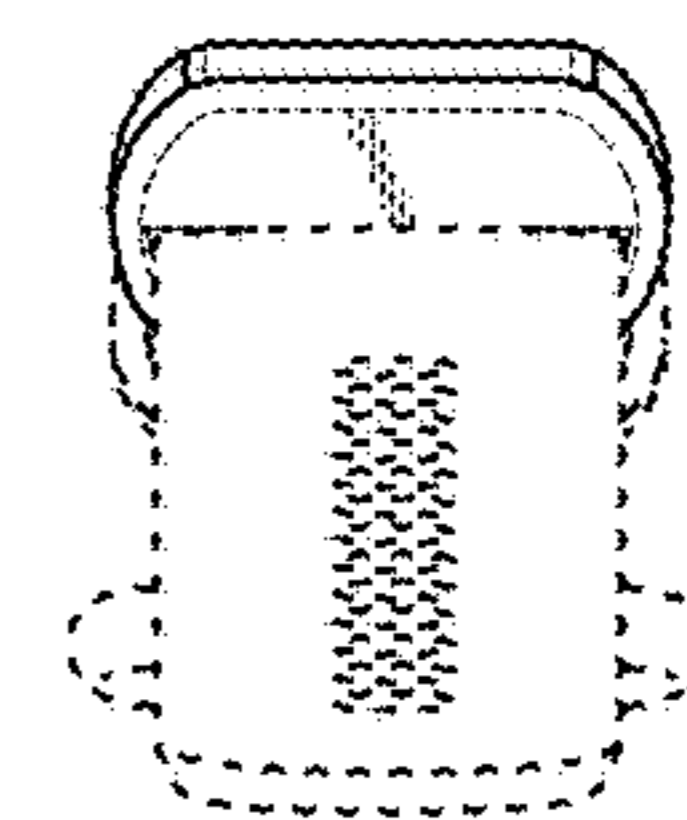
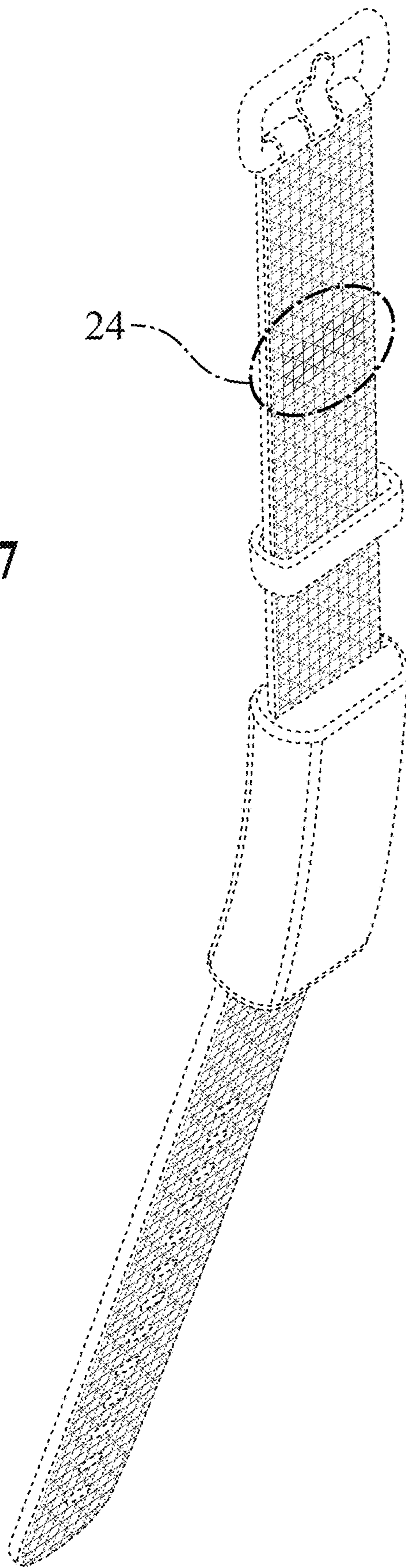
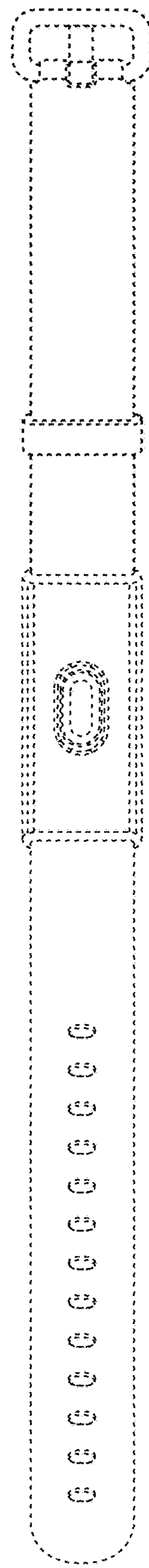
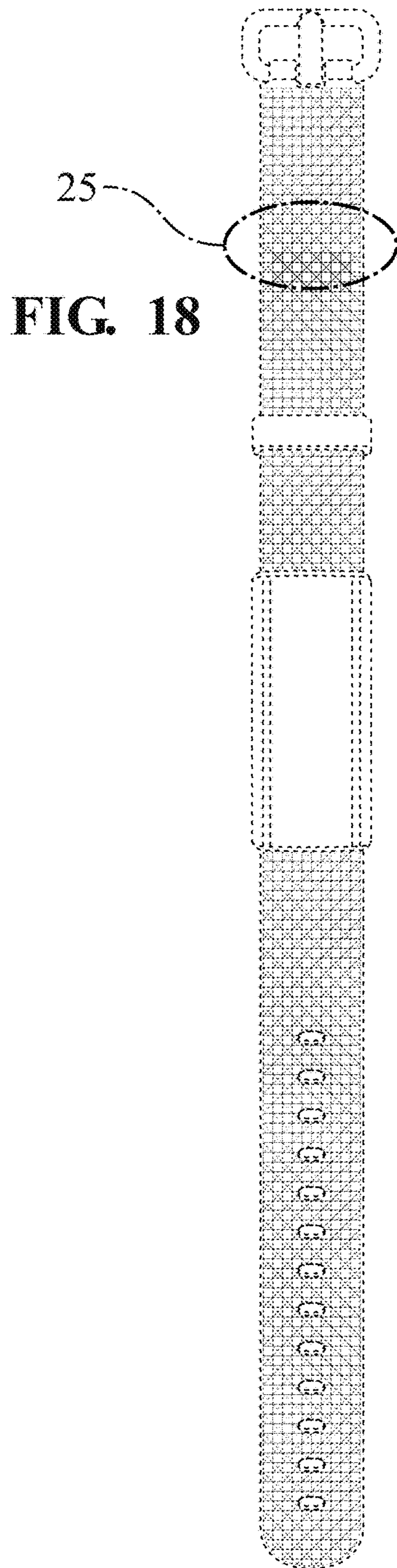


FIG. 16

FIG. 17





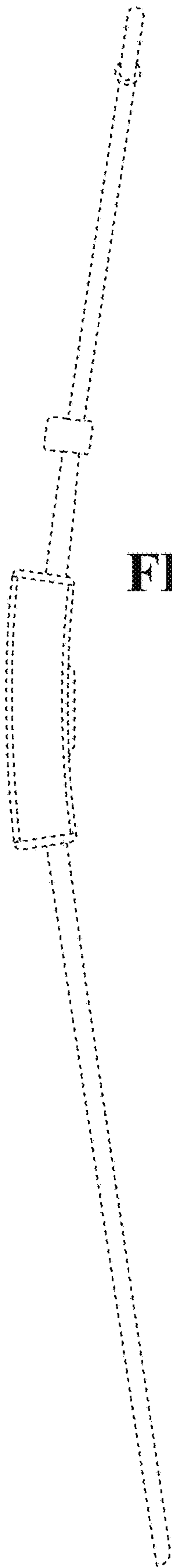


FIG. 20

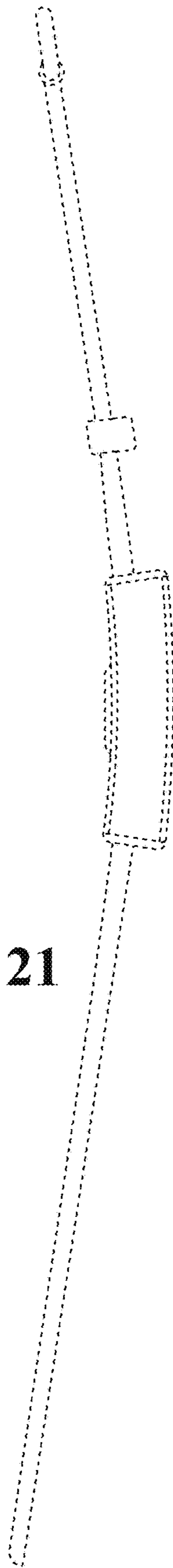


FIG. 21

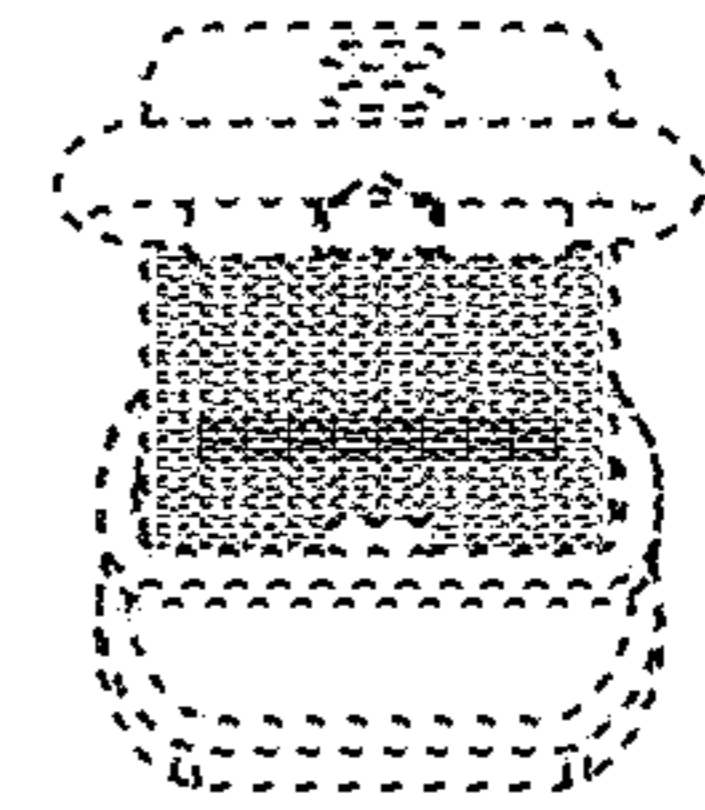


FIG. 22

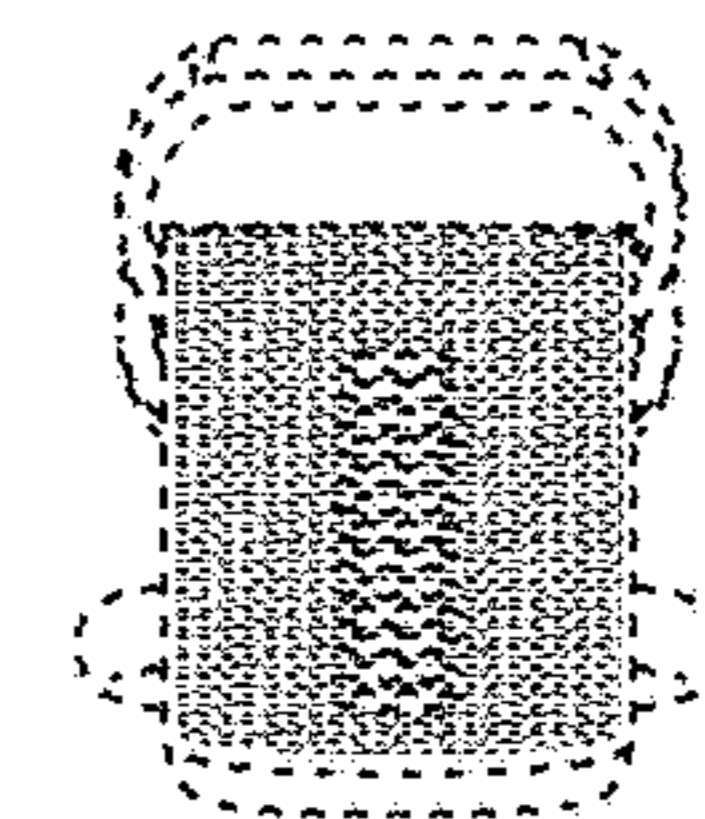


FIG. 23

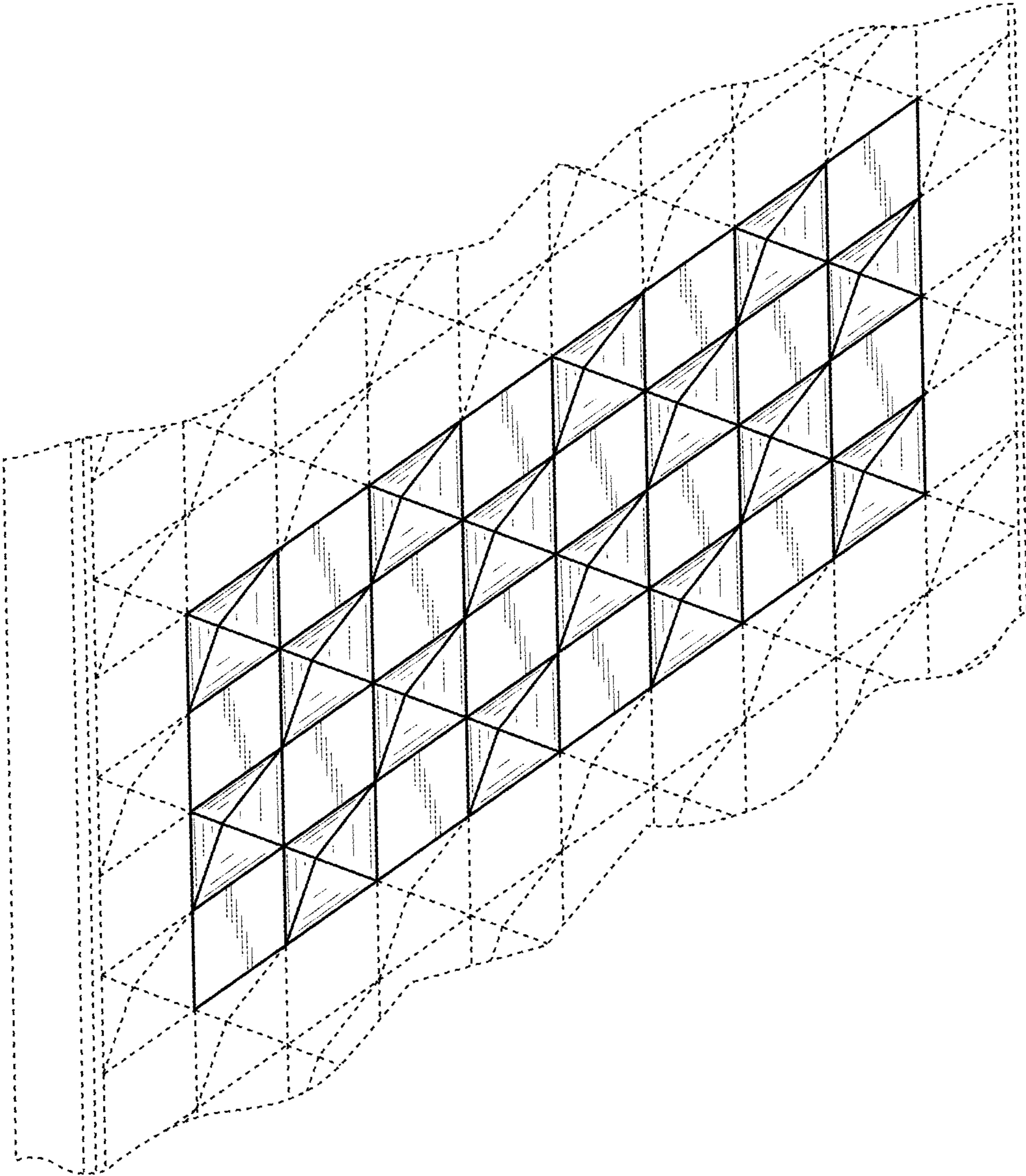


FIG. 24

FIG. 25

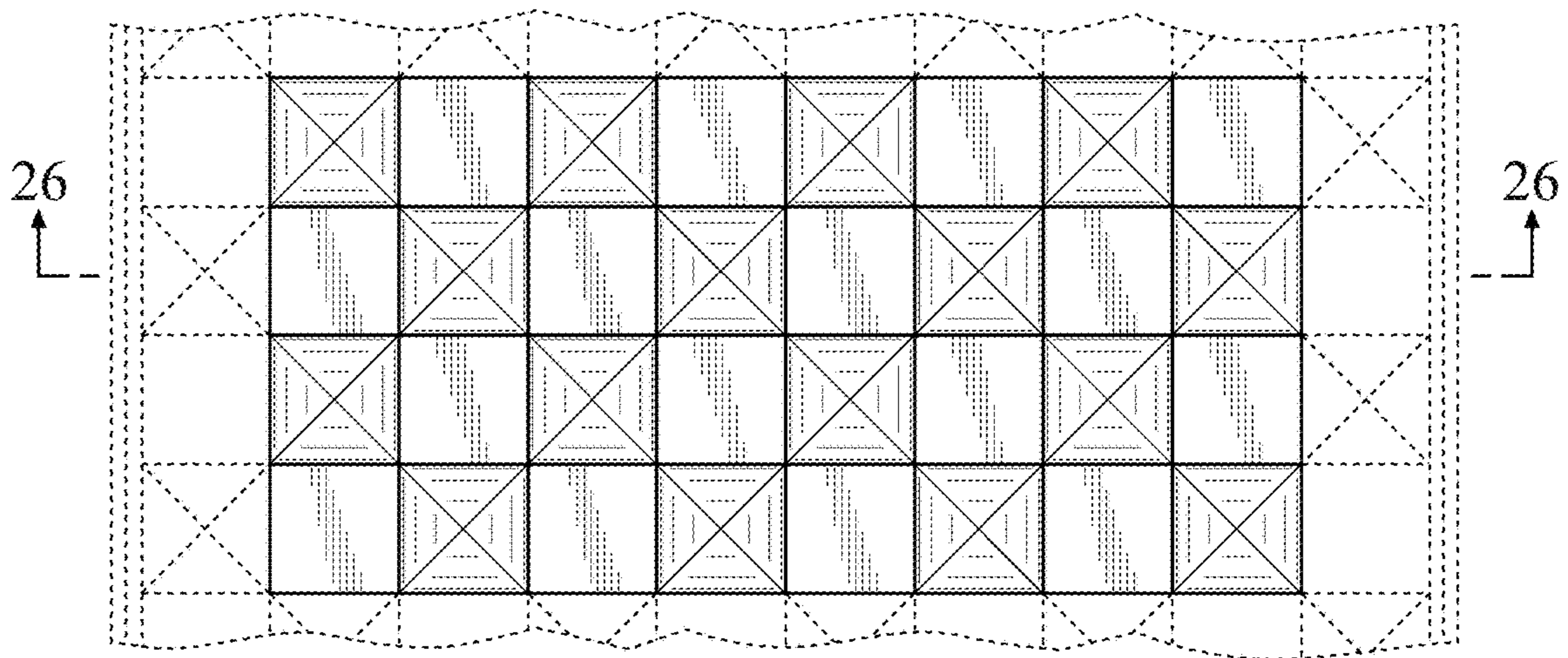


FIG. 26

