



US00D806588S

(12) **United States Design Patent** (10) **Patent No.:** **US D806,588 S**
Roddy et al. (45) **Date of Patent:** **** Jan. 2, 2018**

(54) **FENCE PIPE PLUMB LEVEL** 3,963,140 A * 6/1976 Harding B65D 41/44
215/254
(71) Applicants: **Kenneth J Roddy**, Garland, TX (US); D242,231 S * 11/1976 Shaffer D10/69
Jeffrey H Roddy, Richardson, TX (US) 4,139,883 A * 2/1979 Ilzig F16C 11/04
248/278.1
(72) Inventors: **Kenneth J Roddy**, Garland, TX (US); 4,244,542 A * 1/1981 Mathews F16L 3/222
Jeffrey H Roddy, Richardson, TX (US) 138/112

(**) Term: **15 Years**

(21) Appl. No.: **29/566,316**

(22) Filed: **May 27, 2016**

Related U.S. Application Data

(60) Division of application No. 29/529,419, filed on Jun. 6, 2015, now Pat. No. Des. 761,396, which is a continuation-in-part of application No. 29/484,893, filed on Mar. 13, 2014, now Pat. No. Des. 728,751.

(51) **LOC (11) Cl.** **10-01**

(52) **U.S. Cl.**
USPC **D10/69**

(58) **Field of Classification Search**
USPC D10/69, 74, 82
CPC ... G01C 9/24; G01C 9/26; G01C 9/28; G01C 9/30; G01C 9/32; G01C 9/34; G01C 9/36
See application file for complete search history.

(56) **References Cited**

U.S. PATENT DOCUMENTS

385,516 A * 7/1888 Hutton G01C 9/36
33/390
2,408,253 A * 9/1946 Diebold H02G 7/00
138/110
2,850,045 A * 9/1958 Soehnlén F16L 55/1683
138/92
D189,229 S * 11/1960 Bowne D23/265
3,385,545 A * 5/1968 Patton F16L 3/222
248/228.5
3,826,013 A * 7/1974 Baher G01B 3/566
33/373

(Continued)
Primary Examiner — Darlington Ly
Assistant Examiner — Daniel J Domino
(74) *Attorney, Agent, or Firm* — Jeffrey Roddy

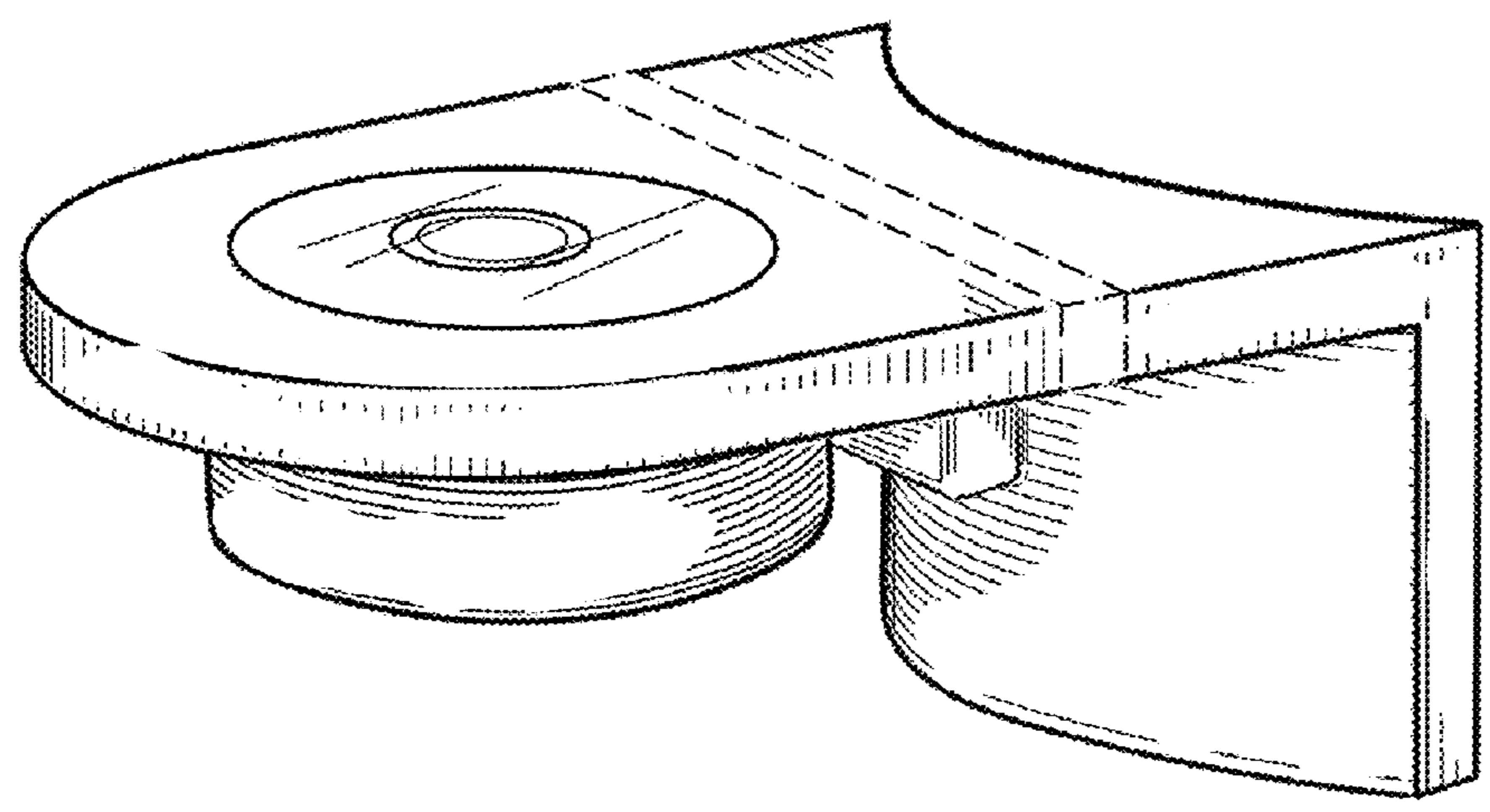
(57) **CLAIM**

The ornamental design for a fence pipe plumb level, as shown and described.

DESCRIPTION

FIG. 1 is a side elevation showing a first embodiment of our new design for a magnetic fence pipe plumb level, the opposite side being a mirror image thereof;
FIG. 2 is a top plan view thereof;
FIG. 3 is a bottom plan view thereof;
FIG. 4 is an end view thereof;
FIG. 5 is an end view opposite that shown in (FIG. 5);
FIG. 6 is a perspective view thereof;
FIG. 7 is a side elevation showing a second embodiment of our new design, the opposite side being a mirror image thereof;
FIG. 8 is a bottom plan view thereof;
FIG. 9 is a top plan view thereof;
FIG. 10 is an end view thereof;
FIG. 11 is an end view opposite that shown in (FIG. 10); and,
FIG. 12 is a perspective view thereof.
The article includes a symbolic break in a portion of the article. The appearance of the article between the break lines forms no part of the claimed design. The broken lines showing portions of the article form no part of the claimed design.

1 Claim, 2 Drawing Sheets



(56)

References Cited

U.S. PATENT DOCUMENTS

D270,140 S *	8/1983	Berglund	D9/438	D735,063 S *	7/2015	Wojciechowski	D10/69
4,407,472 A *	10/1983	Beck	A62C 33/04	D735,064 S *	7/2015	Wojciechowski	D10/69
			24/339	D740,400 S *	10/2015	Roddy	D23/262
D310,772 S *	9/1990	Johnson	D10/69	D745,382 S *	12/2015	Faria	D8/396
5,020,572 A *	6/1991	Hunt	B23P 6/04	D747,275 S *	1/2016	Rodrigue	D13/155
			138/97	D747,276 S *	1/2016	Rodrigue	D13/155
D332,753 S *	1/1993	Jones	D10/69	D750,760 S *	3/2016	Roddy	D23/262
D372,074 S *	7/1996	Wallace	D23/269	9,315,980 B2 *	4/2016	Stonecipher	E03D 11/14
5,660,417 A *	8/1997	Reeves	F16L 23/18	D761,396 S *	7/2016	Roddy	D23/262
			116/201	D763,710 S *	8/2016	Barthold	D10/69
D409,293 S *	5/1999	Senninger	D23/265	D777,301 S *	1/2017	Roddy	D23/262
D468,002 S *	12/2002	Steffan	D23/249	D780,607 S *	3/2017	Hong	D10/69
D579,803 S *	11/2008	Crain	D10/69	D786,718 S *	5/2017	Burge	D10/69
8,776,328 B2 *	7/2014	Kodi	E04C 5/163	2006/0048418 A1 *	3/2006	Boire	G09F 3/205
			24/339				40/316
D714,917 S *	10/2014	Miller	D23/269	2007/0034758 A1 *	2/2007	Bates	E04H 12/2276
D726,053 S *	4/2015	Yin	D10/101				248/218.4
D728,751 S *	5/2015	Roddy	D23/262	2012/0111280 A1 *	5/2012	Shin	A01K 7/025
D729,642 S *	5/2015	Peterson	D10/63				119/78
D730,208 S *	5/2015	Ben Jose	D10/69	2013/0032130 A1 *	2/2013	Jacques	A47J 33/00
							126/30
				2013/0152291 A1 *	6/2013	Stonecipher	E03D 11/16
							4/252.1

* cited by examiner

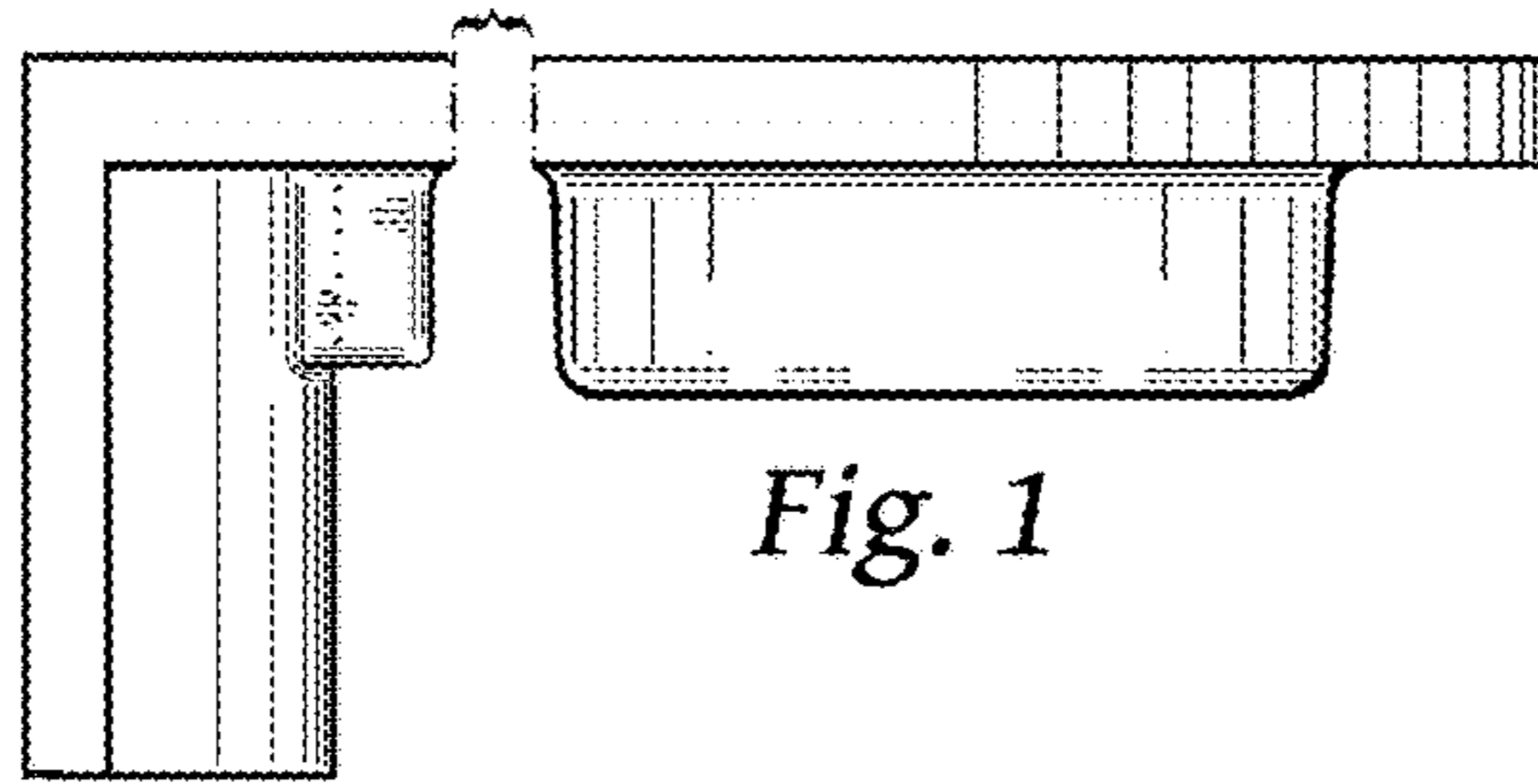


Fig. 1

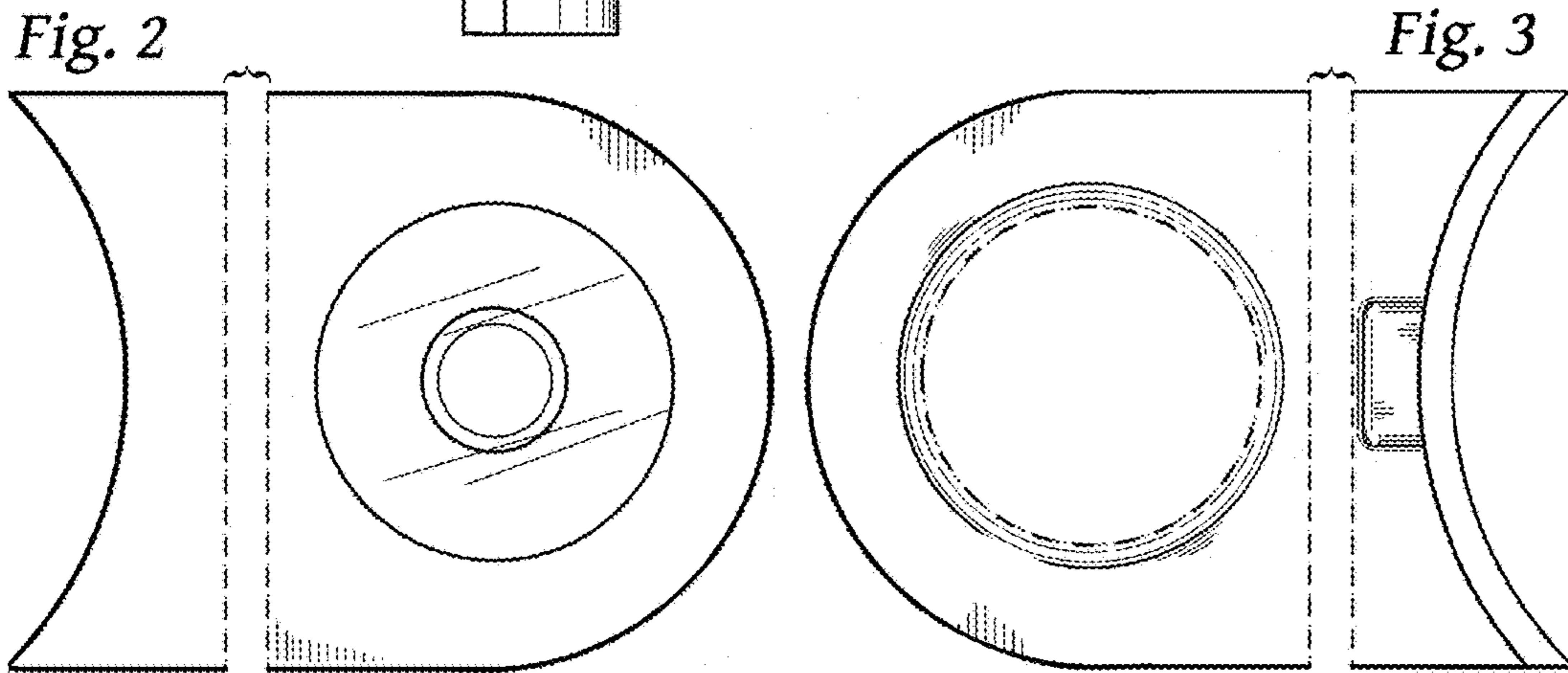


Fig. 2

Fig. 3

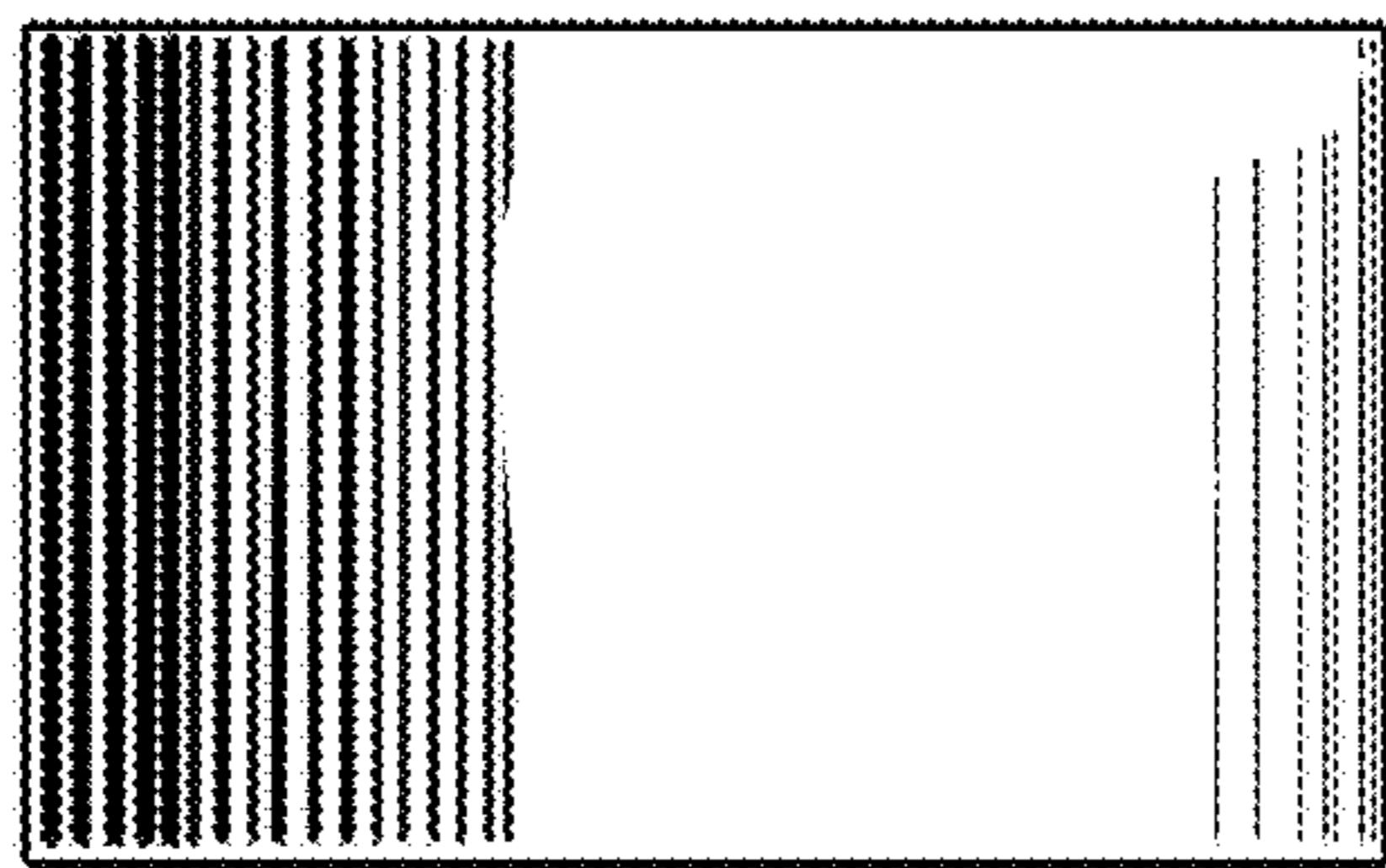


Fig. 4

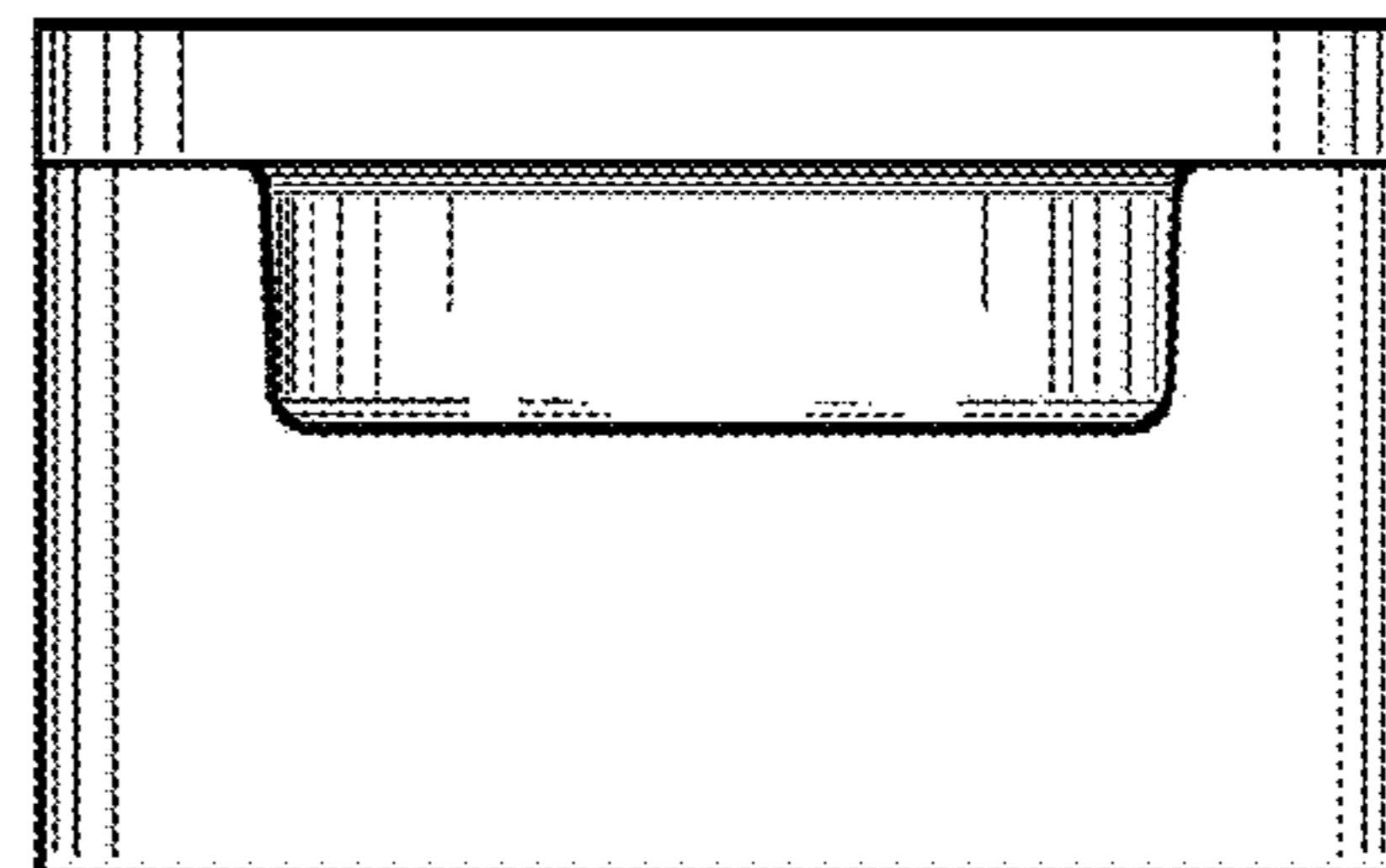


Fig. 5

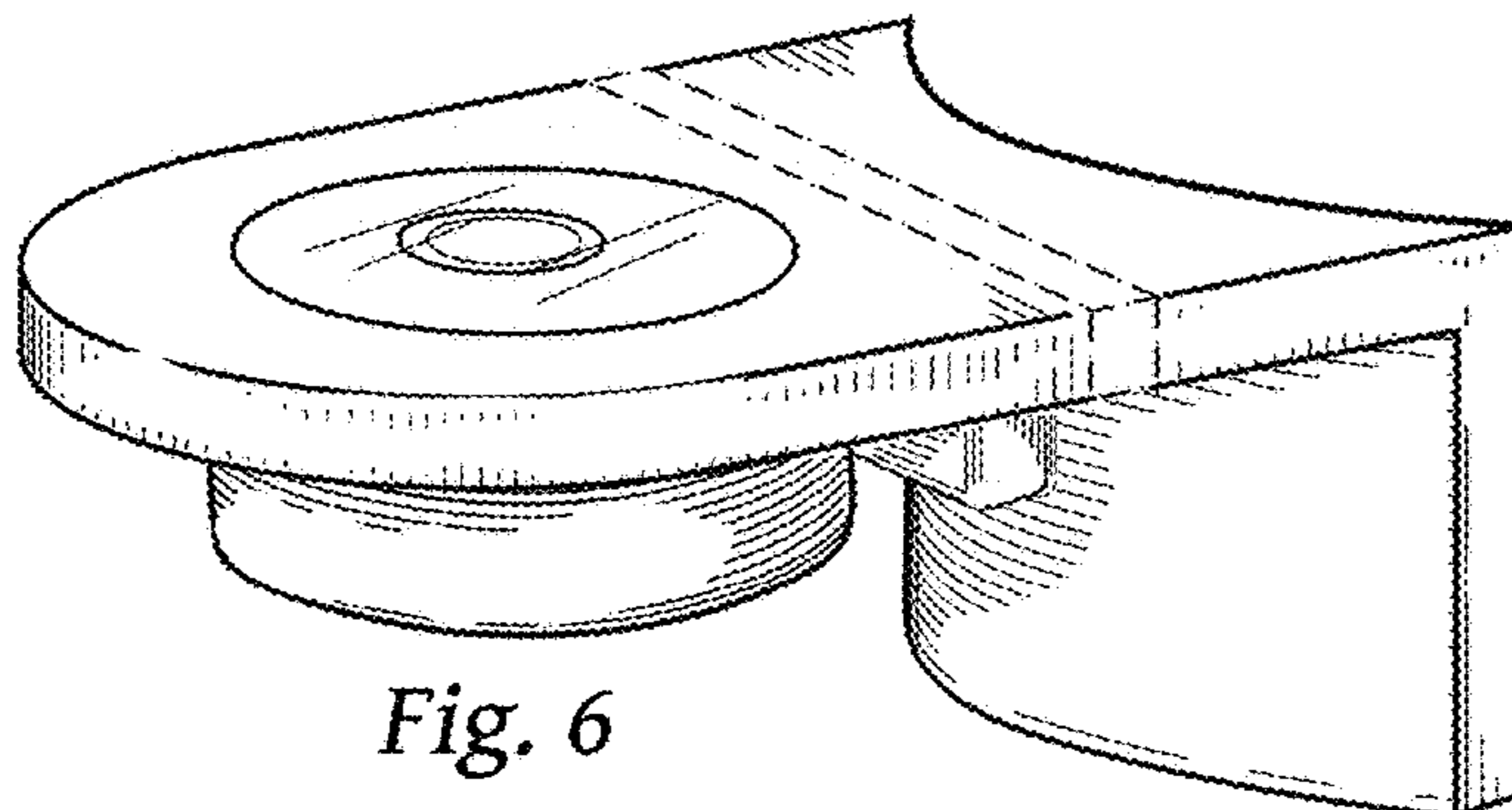


Fig. 6

