



US00D806587S

(12) **United States Design Patent** (10) **Patent No.:** **US D806,587 S**  
**Fishburne, Jr.** (45) **Date of Patent:** **\*\* Jan. 2, 2018**

(54) **SALIVARY FLOW INDICATOR DEVICE**

(74) *Attorney, Agent, or Firm* — Eric C. Wills; Smith Moore Leatherwood LLP

(71) Applicant: **Fishburne, May, LLC**, Rock Hill, SC (US)

(57) **CLAIM**

The ornamental design for a salivary flow indicator device, as shown and described.

(72) Inventor: **Coty P. Fishburne, Jr.**, Rock Hill, SC (US)

**DESCRIPTION**

(73) Assignee: **Fishburne, May LLC**, Rock Hill, SC (US)

(\*\*) Term: **15 Years**

(21) Appl. No.: **29/577,930**

(22) Filed: **Sep. 16, 2016**

(51) **LOC (11) Cl.** ..... **10-04**

(52) **U.S. Cl.**  
USPC ..... **D10/64; D24/140**

(58) **Field of Classification Search**  
USPC ..... **D10/64, 81; D24/107, 140**  
CPC ..... **A61B 10/0051; A61B 5/14507; A61B 5/14539; A61B 2010/0003; A61B 2010/0006; A61B 2010/0051; A61B 2010/0009**

See application file for complete search history.

FIG. 1 is a front perspective view of a salivary flow indicator device according to a first embodiment; FIG. 2 is a front plan view thereof; FIG. 3 is a rear plan view thereof, opposite the view in FIG. 2; FIG. 4 is a first side view thereof; FIG. 5 is a second side view thereof, opposite the view in FIG. 4; FIG. 6 is a third side view thereof; FIG. 7 a fourth side view thereof, opposite the view in FIG. 6; FIG. 8 is a further front perspective view thereof, in which a portion of the device is folded; FIG. 9 is a front perspective view of an salivary flow indicator device according to a second embodiment; and FIG. 10 is a front plan view thereof; FIG. 11 is a rear plan view thereof, opposite the view in FIG. 10; FIG. 12 is a first side view thereof; FIG. 13 is a second side view thereof, opposite the view in FIG. 12; FIG. 14 is a third side view thereof; FIG. 15 a fourth side view thereof, opposite the view in FIG. 14; and, FIG. 16 is a further front perspective view thereof, in which a portion of the device is folded.  
The dashed broken lines form no part of the claimed design.

(56) **References Cited**

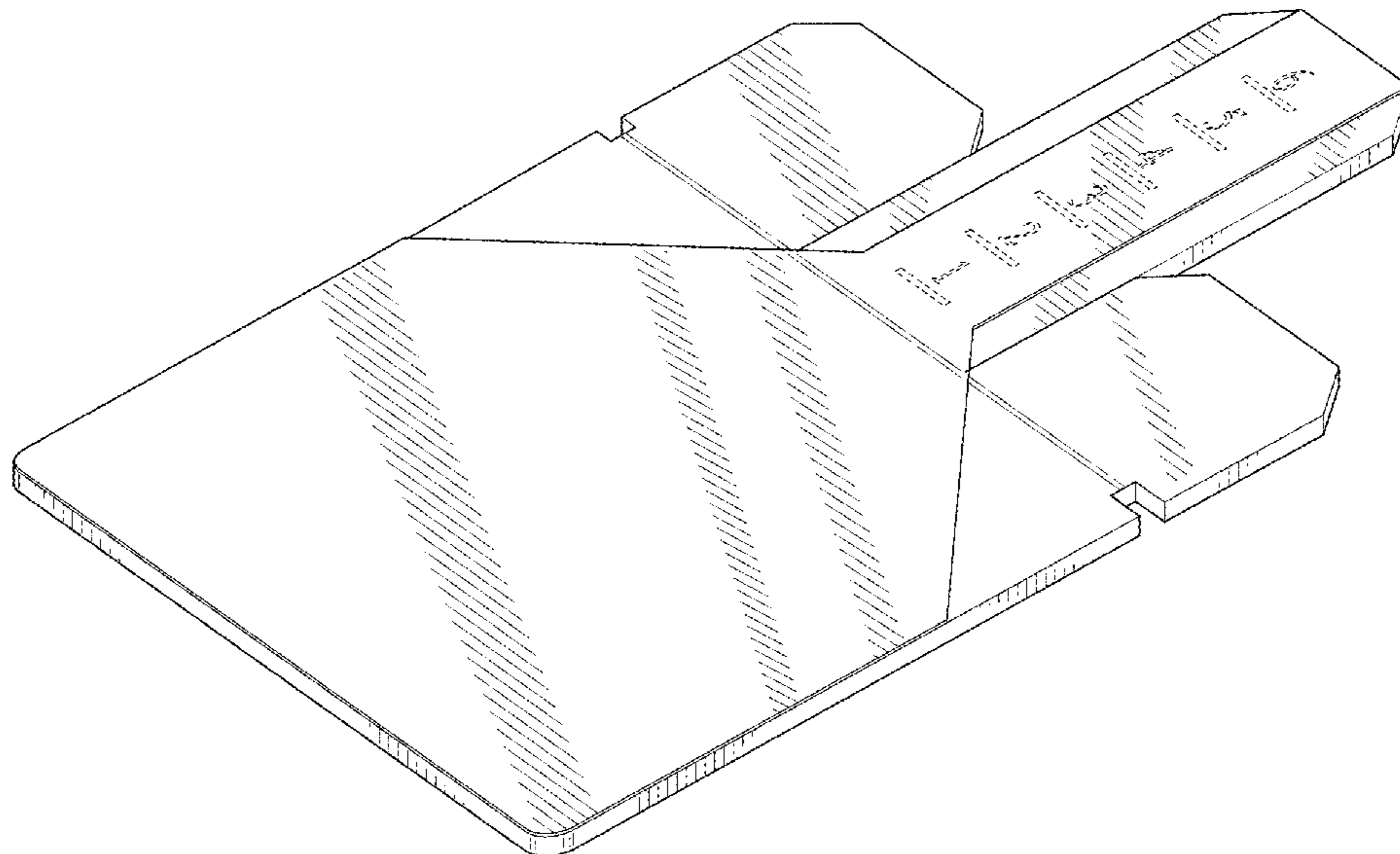
U.S. PATENT DOCUMENTS

5,714,341 A \* 2/1998 Thieme ..... G01N 33/521  
422/417  
D786,722 S \* 5/2017 Applegate ..... D10/81

\* cited by examiner

*Primary Examiner* — Antoine Duval Davis

**1 Claim, 12 Drawing Sheets**



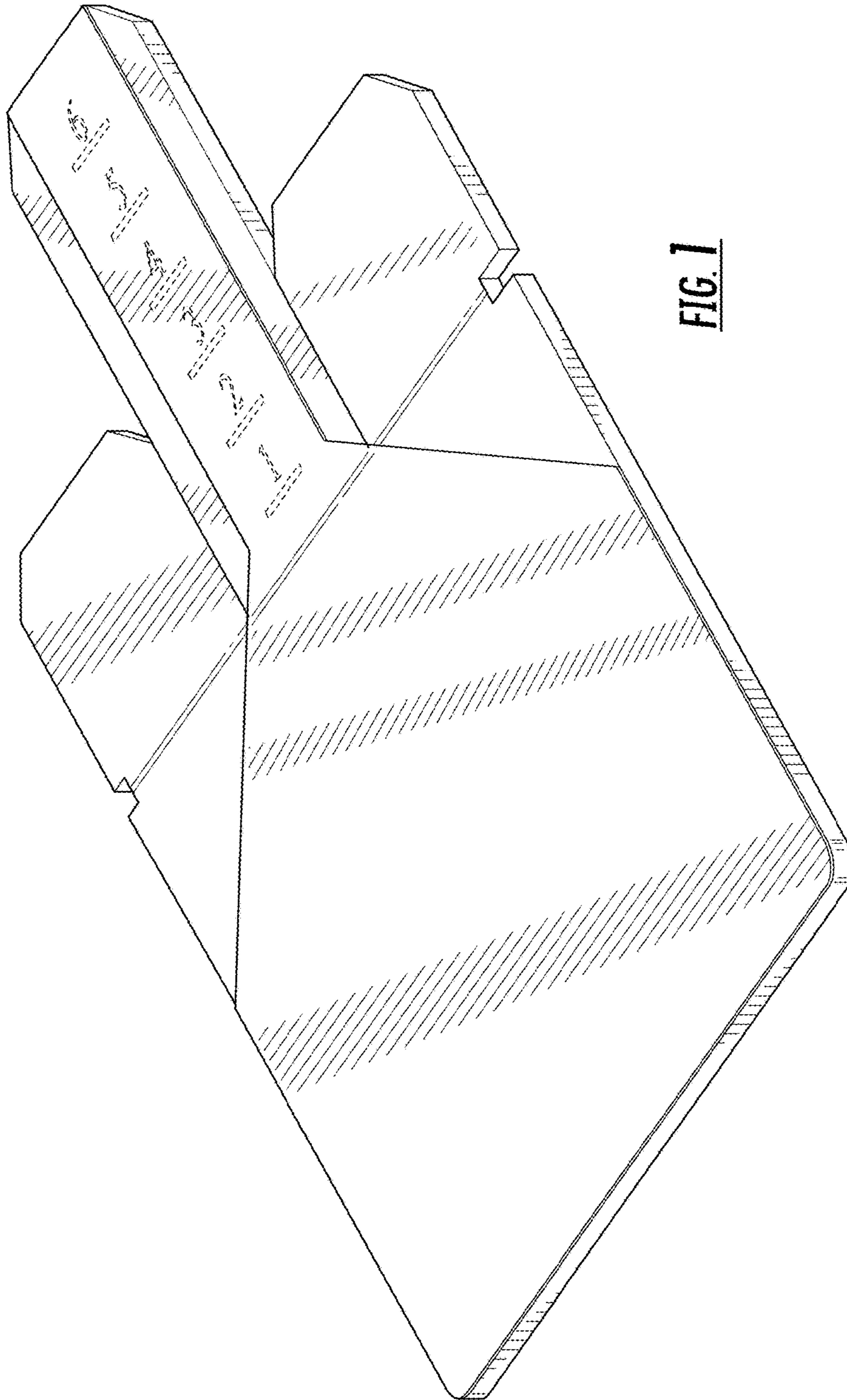
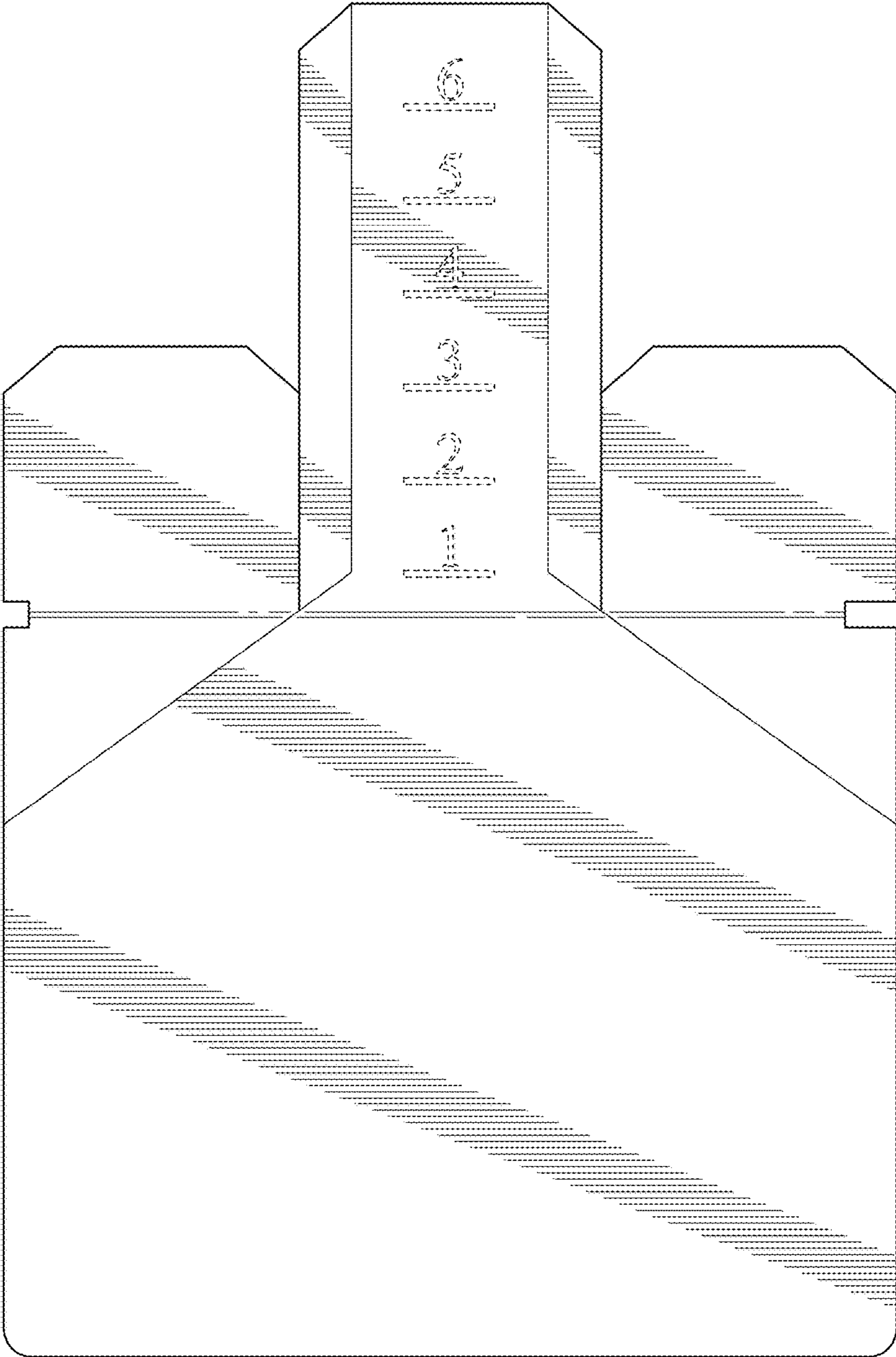
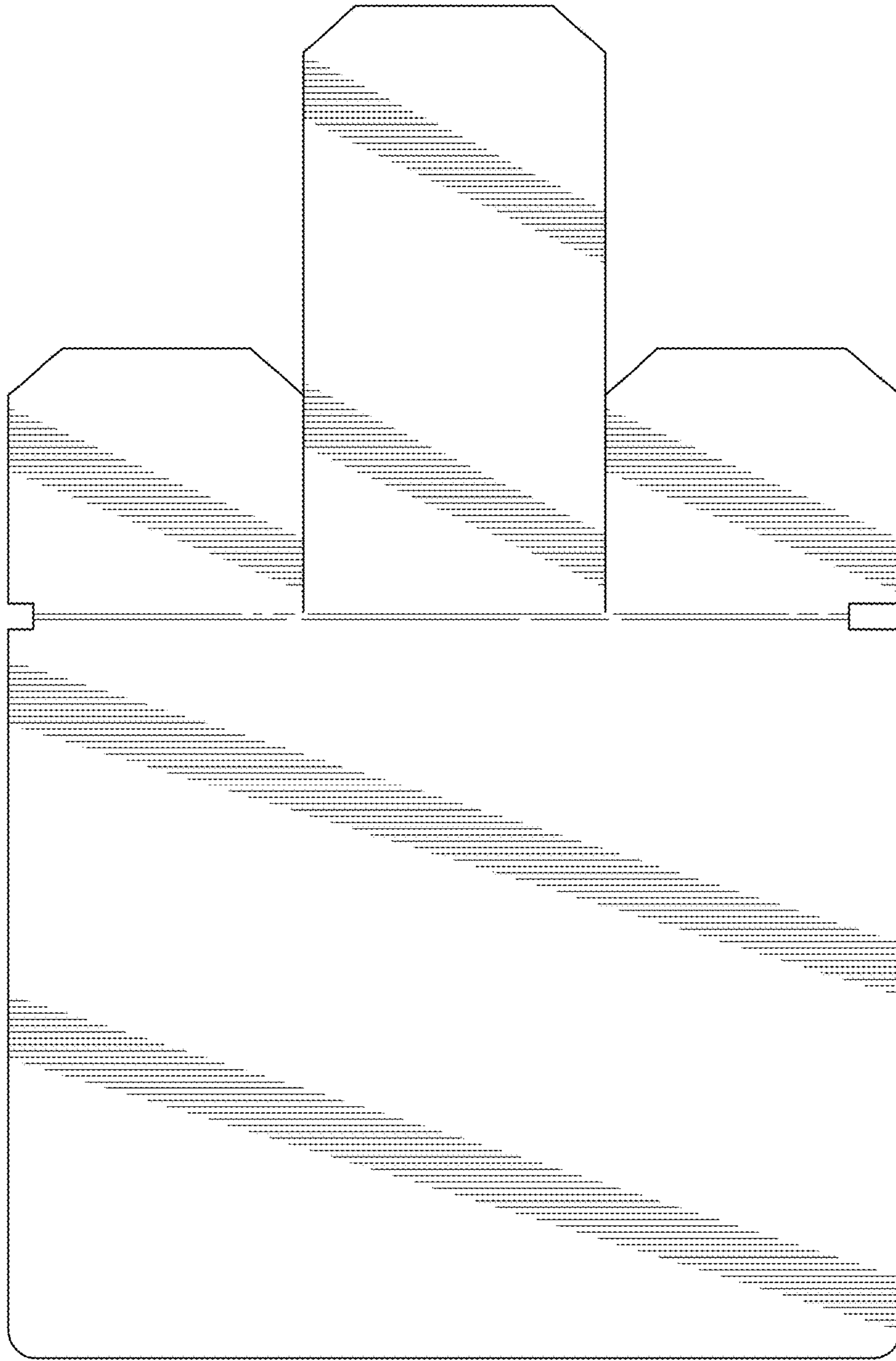


FIG. 1



**FIG. 2**



**FIG. 3**



FIG. 4

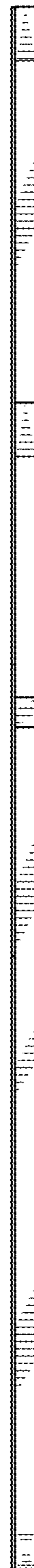


FIG. 5



FIG. 6

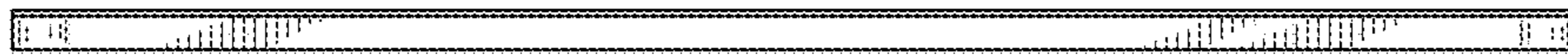
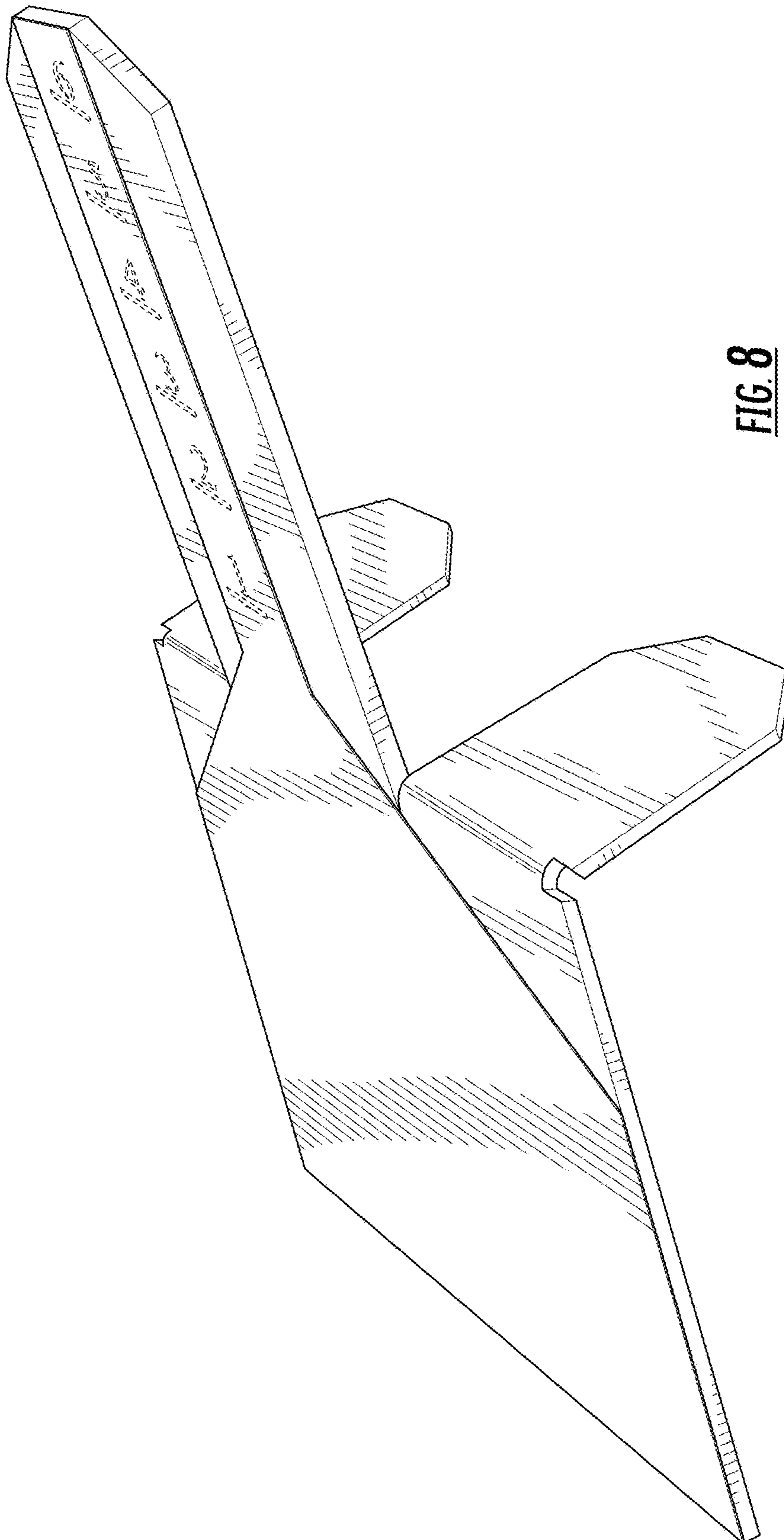
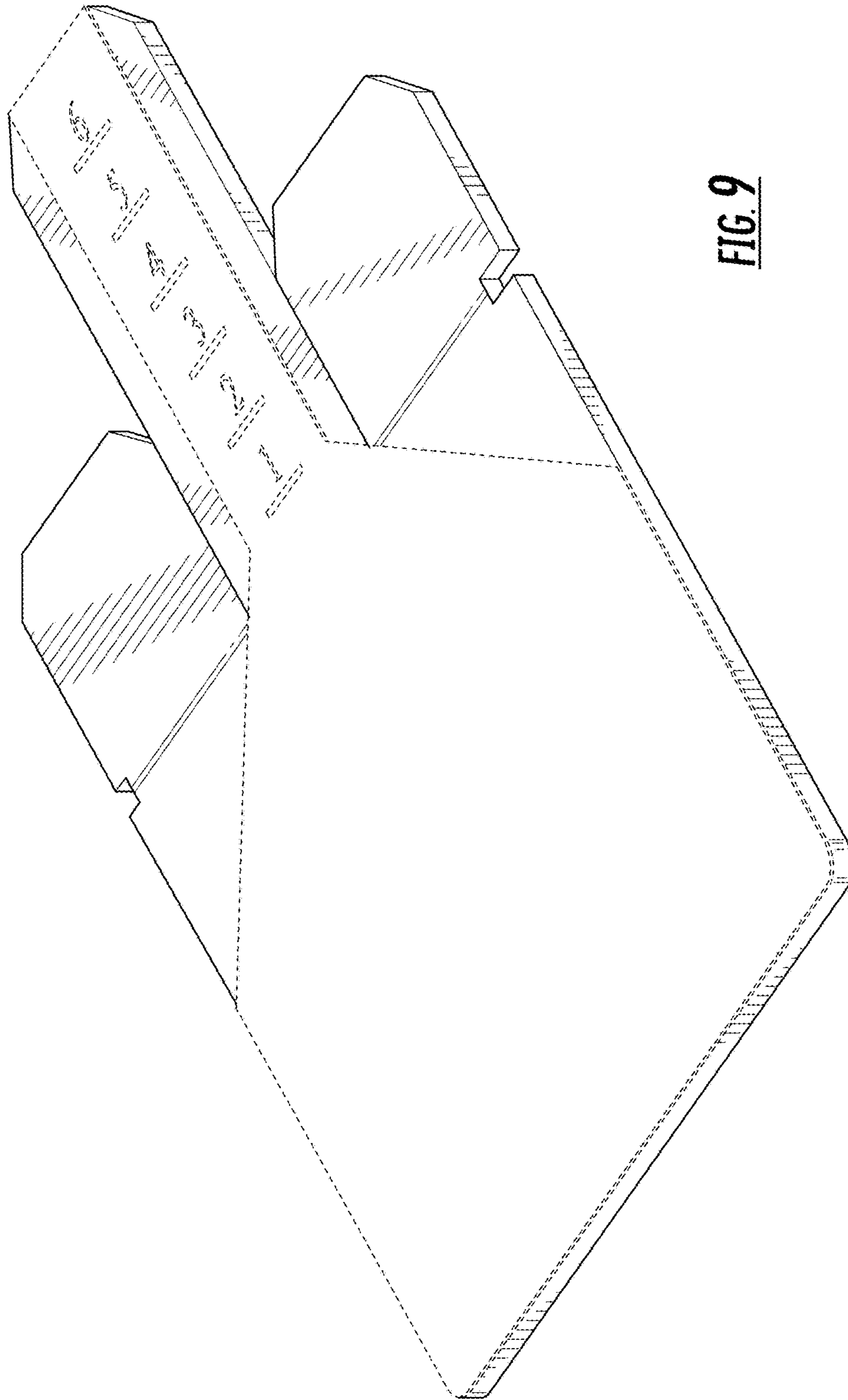


FIG. 7

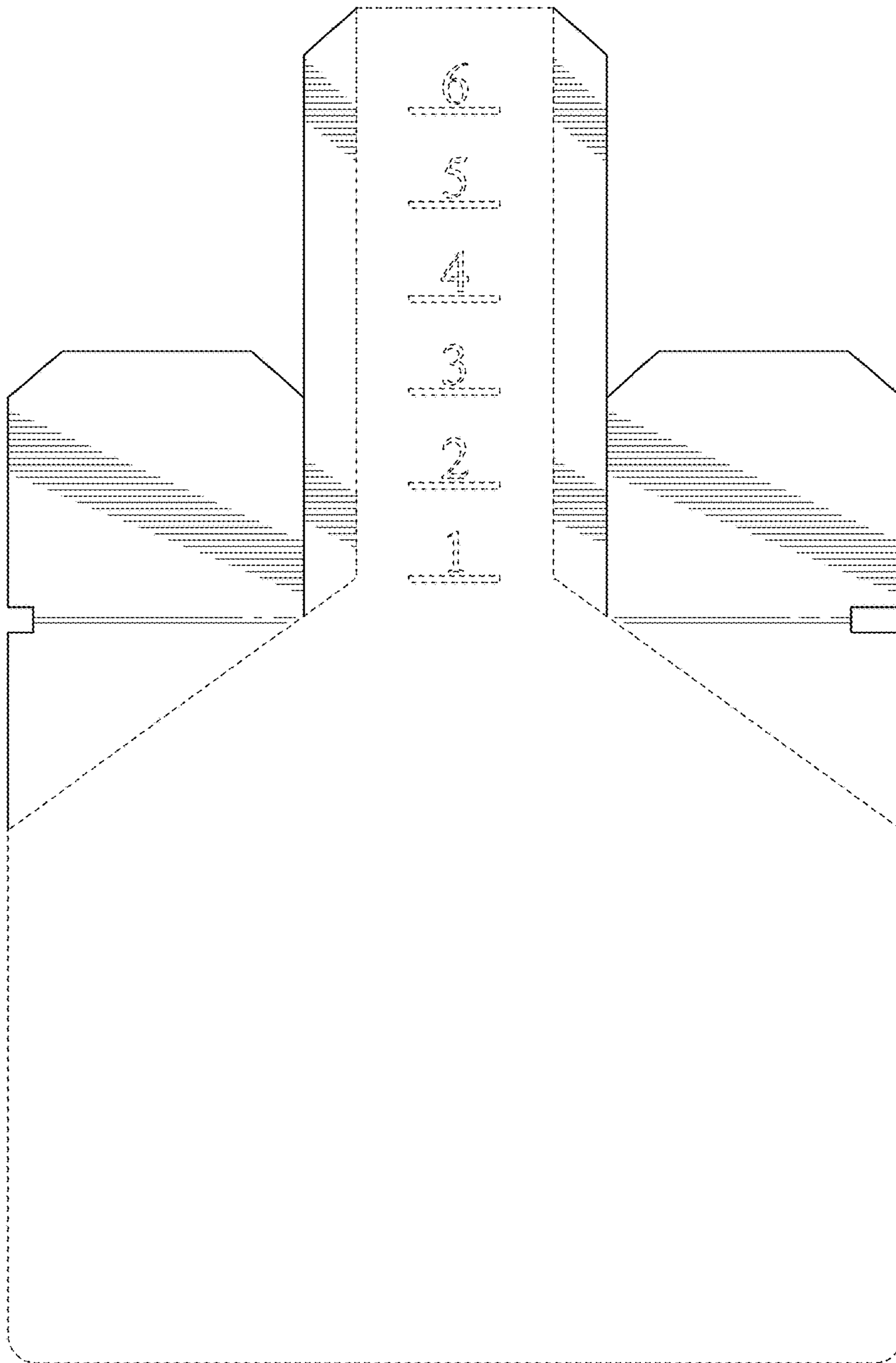


**FIG. 8**



**FIG. 9**





**FIG. 10**

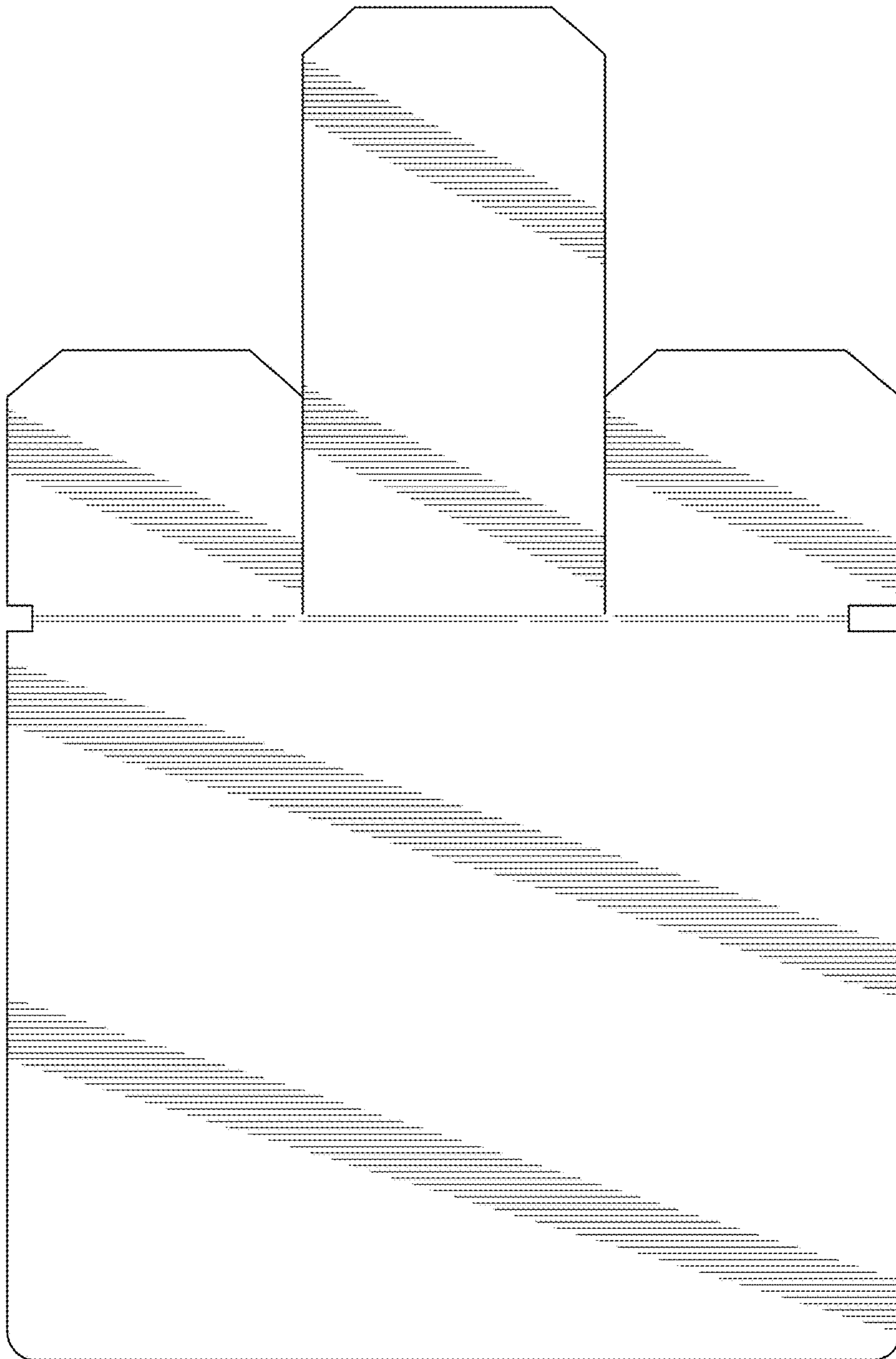


FIG. 11



**FIG. 12**



**FIG. 13**



FIG. 14

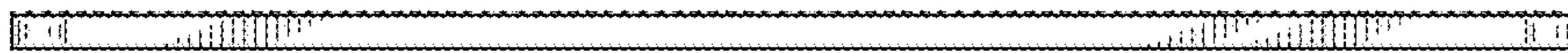


FIG. 15

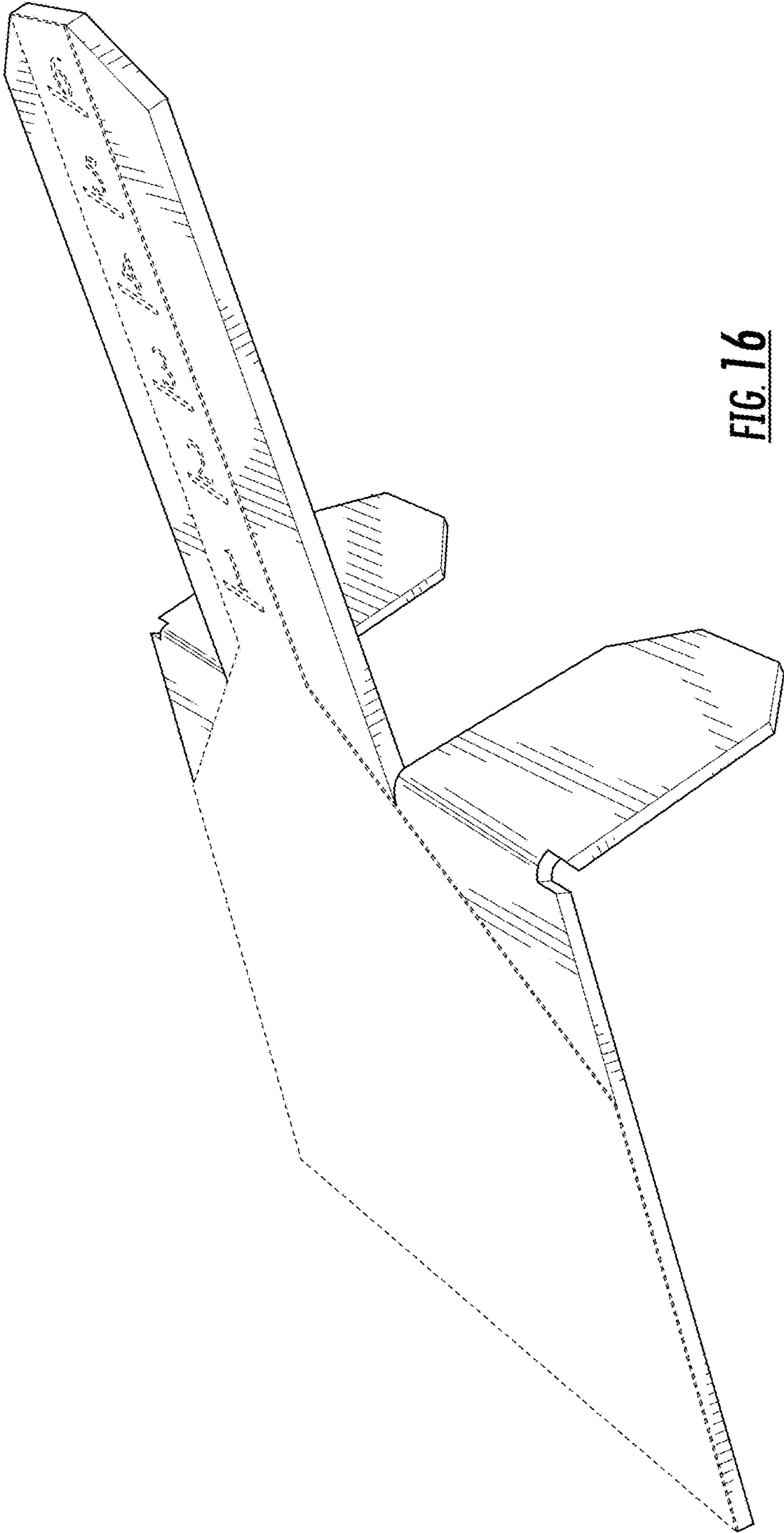


FIG. 16