



US00D806581S

(12) **United States Design Patent** (10) **Patent No.:** **US D806,581 S**
Register et al. (45) **Date of Patent:** **** Jan. 2, 2018**

(54) **WATCH WITH DISPLAY**

OTHER PUBLICATIONS

(71) Applicant: **Garmin Switzerland GmbH**,
Schaffhausen (CH)

Suunto Core, published prior to May 21, 2012.
Suunto Elementum, published prior to May 21, 2012.
Timex eCompass, published prior to May 21, 2012.
Tissot Touch Around, published prior to May 21, 2012.
Printout from www.suunto.com/en-US/Products/Sports-Watches/
Suunto-Ambit2/Suunto-Ambit2-Black/ published prior to Sep. 29,
2015.

(72) Inventors: **Todd P. Register**, Olathe, KS (US);
Christopher J. Hanshew, Lenexa, KS
(US)

Printout from http://www.tagheuer.com/int-en/luxury-watches/car-
rera/carrera-calibre-heuer-01-chronograph-titanium-43mm-grey-
others-bracelet published prior to Aug. 15, 2016.

(73) Assignee: **Garmin Switzerland GmbH** (CH)

Printout from http://www.tagheuer.com/int-en/luxury-watches/cam-
era/camera-calibre-1887automatic-chronograph43-mm-black-steel-
bracelet-car2a10-ba0799 , published prior to Aug. 15, 2016.

(**) Term: **15 Years**

* cited by examiner

(21) Appl. No.: **29/574,403**

(22) Filed: **Aug. 15, 2016**

Primary Examiner — Sheryl Lane

(51) **LOC (11) Cl.** **10-02**

Assistant Examiner — Calvin E Vansant

(52) **U.S. Cl.**
USPC **D10/30**

(74) *Attorney, Agent, or Firm* — Samuel M. Korte; Max
M. Ali

(58) **Field of Classification Search**
USPC D10/1–39, 65, 70, 122–132
CPC G04B 17/00; G04B 17/02; G04B 17/005;
G04B 17/285; G04B 37/00; G04B 37/00;
G04B 37/0058; G04B 45/00; G04B
45/02; G04B 45/038; G04B 45/0069;
G04B 45/0076; G04B 29/00; G04B
19/268

(57) **CLAIM**

The ornamental design for a watch with display, as shown
and described.

See application file for complete search history.

DESCRIPTION

(56) **References Cited**

U.S. PATENT DOCUMENTS

D525,148 S *	7/2006	Gruosi	D10/30
D682,712 S *	5/2013	Lammers-Meis	D10/38
D739,268 S *	9/2015	Lammers-Meis	D10/30
D756,240 S *	5/2016	Register	D10/30
D769,134 S *	10/2016	Schwamkrug	D10/38
D774,926 S *	12/2016	Butler	D10/38
D789,542 S *	6/2017	Lillquist	D24/167
D789,808 S *	6/2017	Kimura	D10/30

FIG. 1 is a front perspective view of a watch with display
according to the present invention;
FIG. 2 is a rear perspective view of the watch with display;
FIG. 3 is a top view of the watch with display;
FIG. 4 is a front view of the watch with display;
FIG. 5 is a bottom view of the watch with display;
FIG. 6 is a rear view of the watch with display;
FIG. 7 is a left side view of the watch with display; and,
FIG. 8 is a right side view of the watch with display.
The broken lines shown in FIGS. 1 through 8 represent
portions of the watch with display that form no part of the
claimed design.

1 Claim, 4 Drawing Sheets

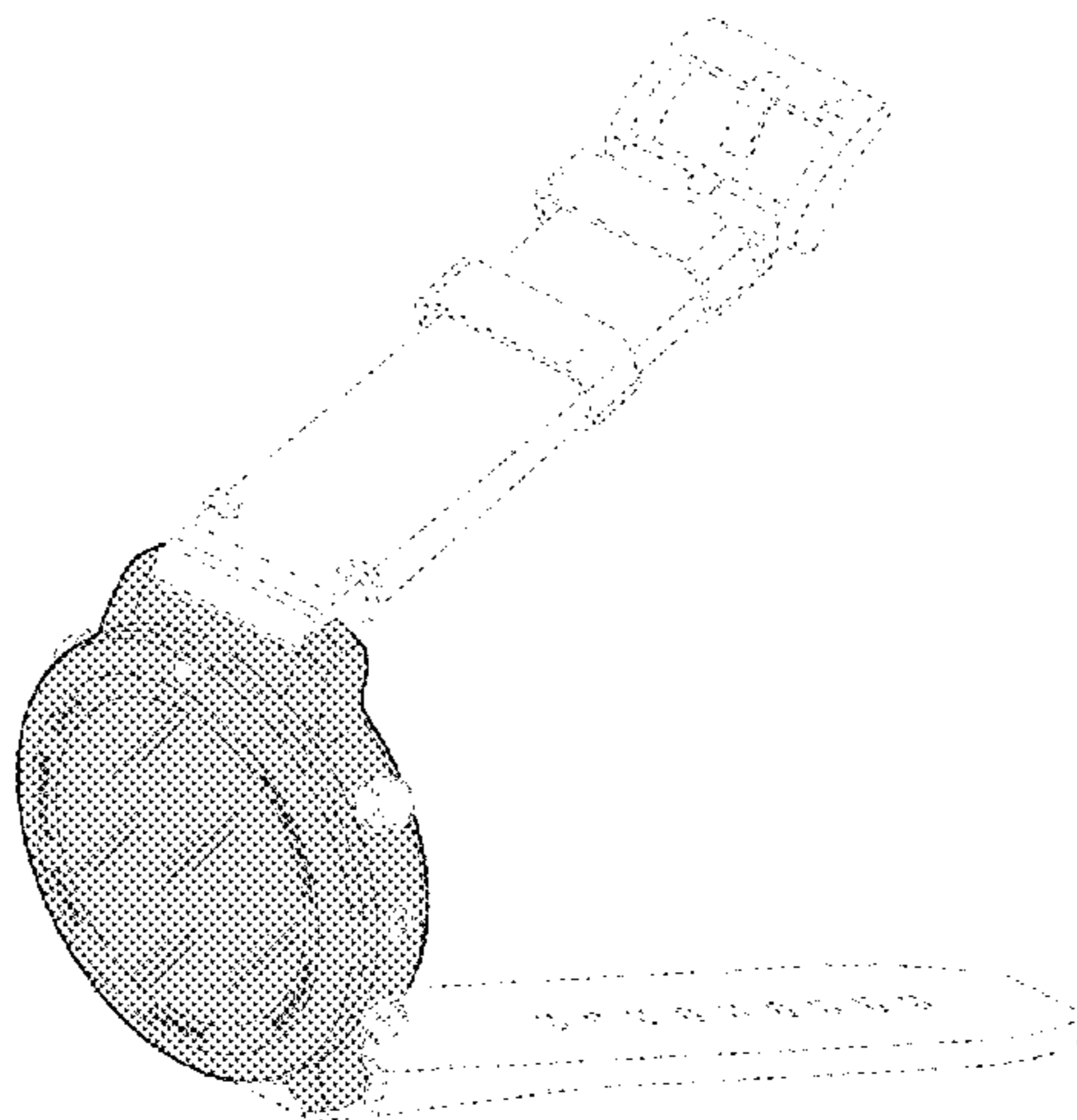


Fig. 1

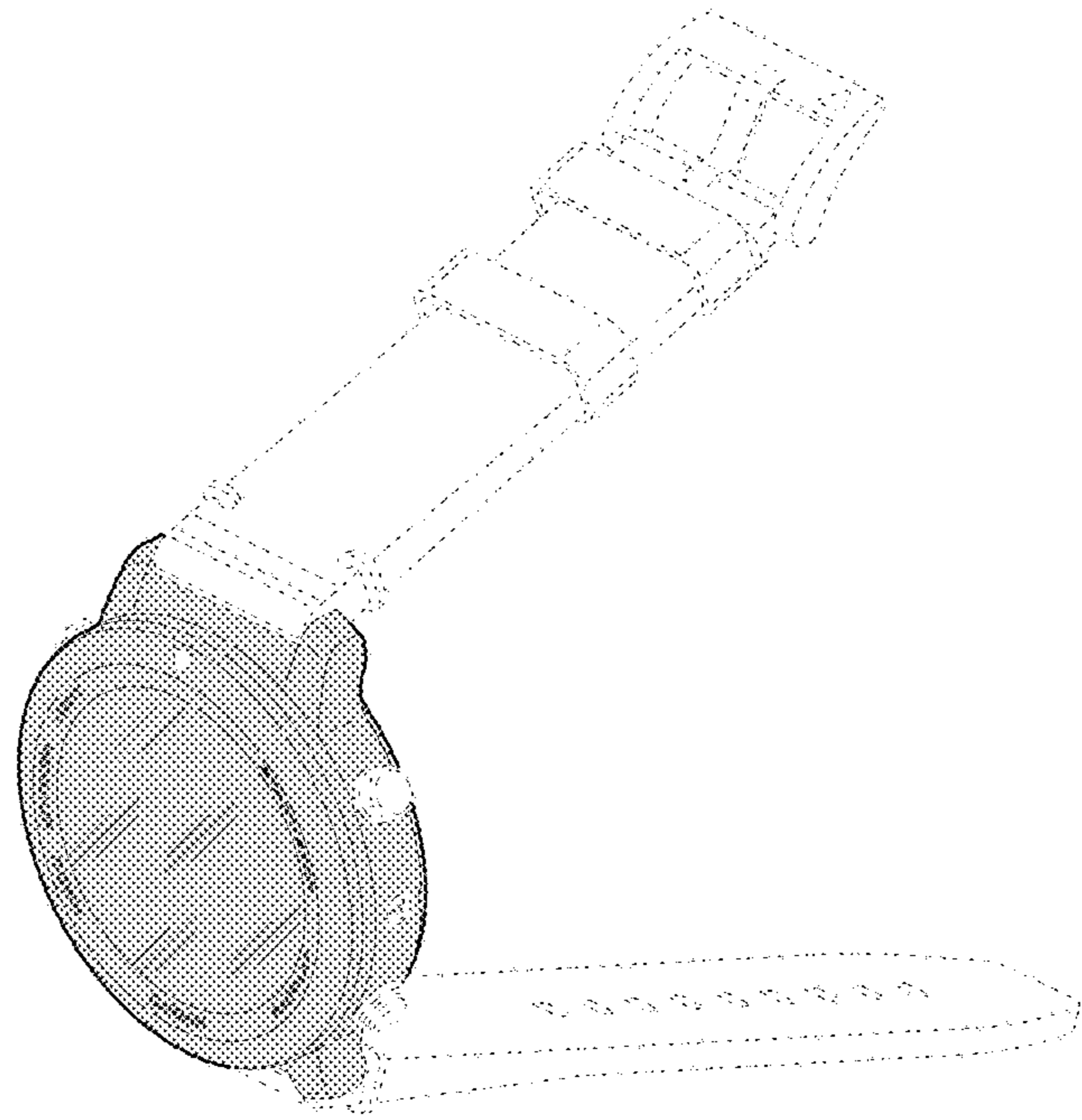
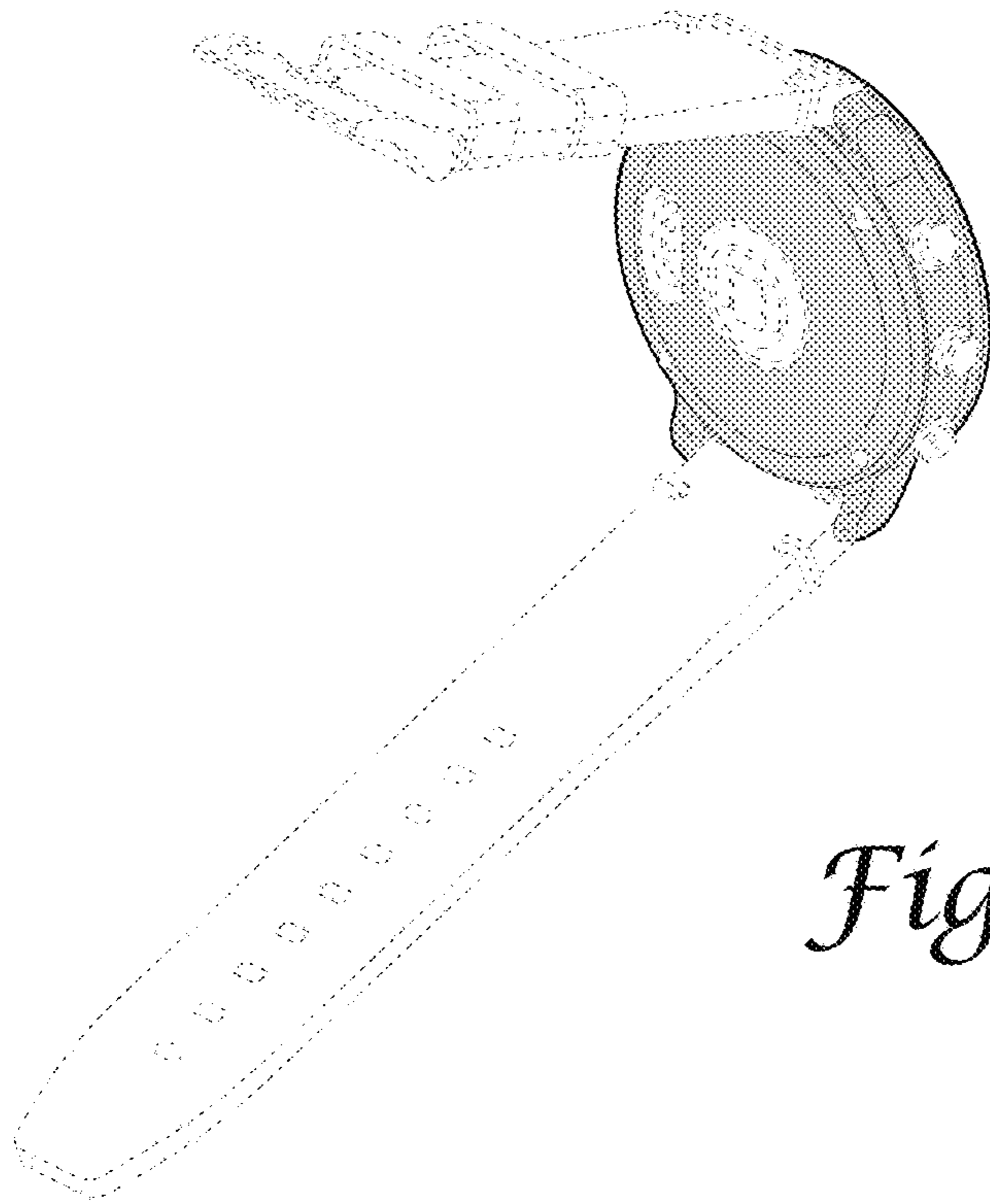


Fig. 2



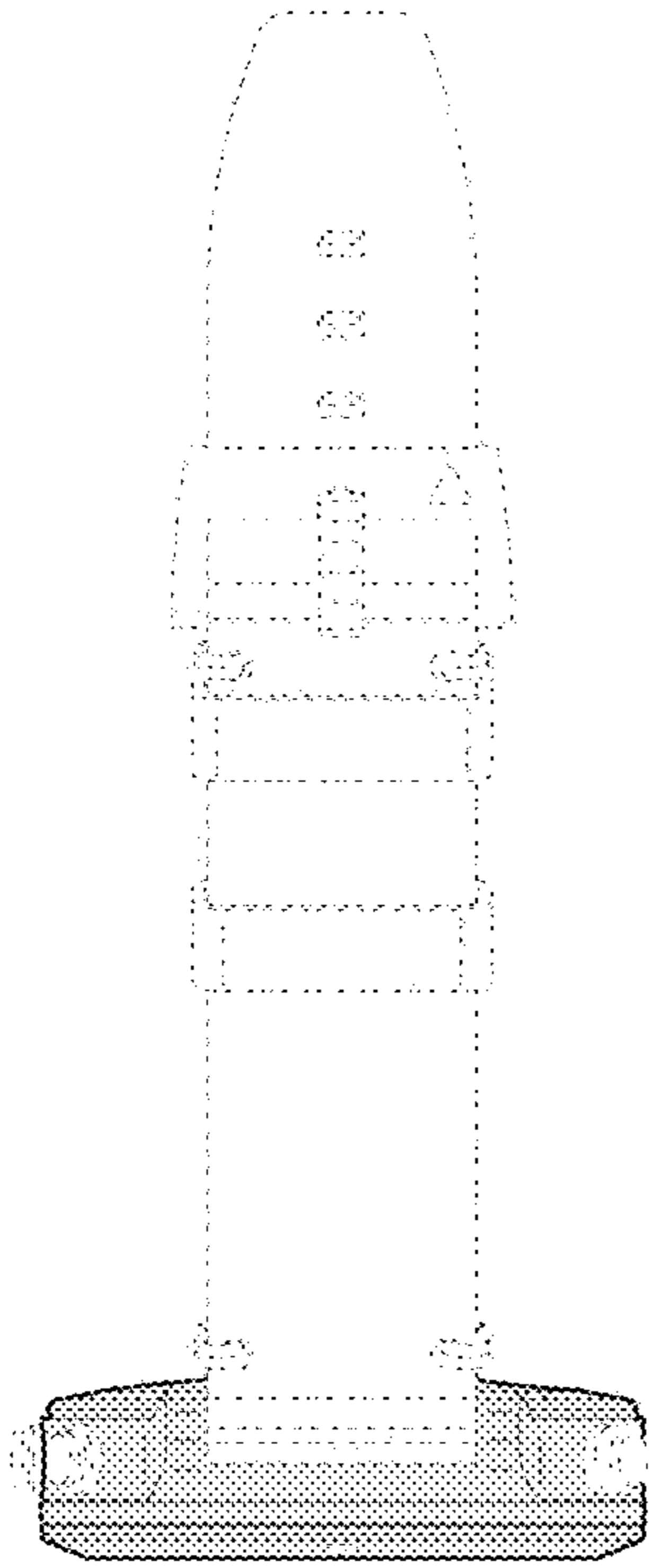


Fig. 3

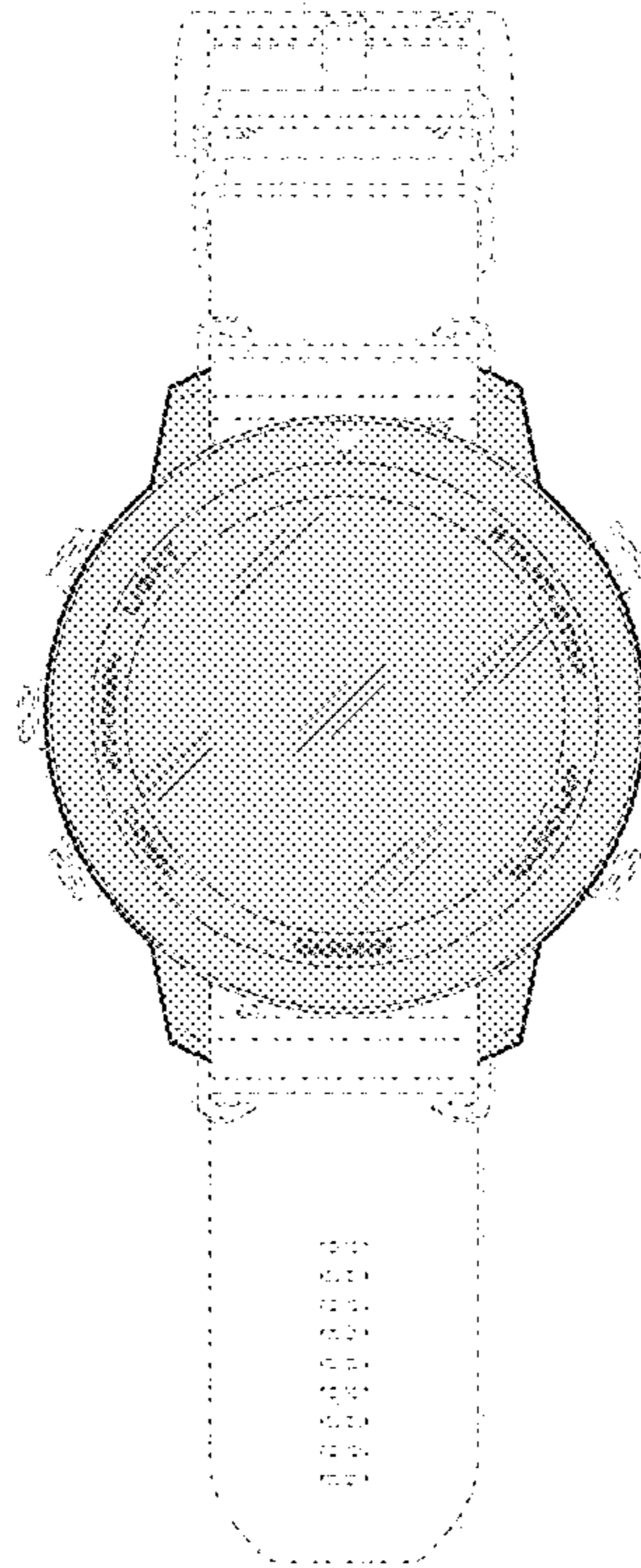


Fig. 4

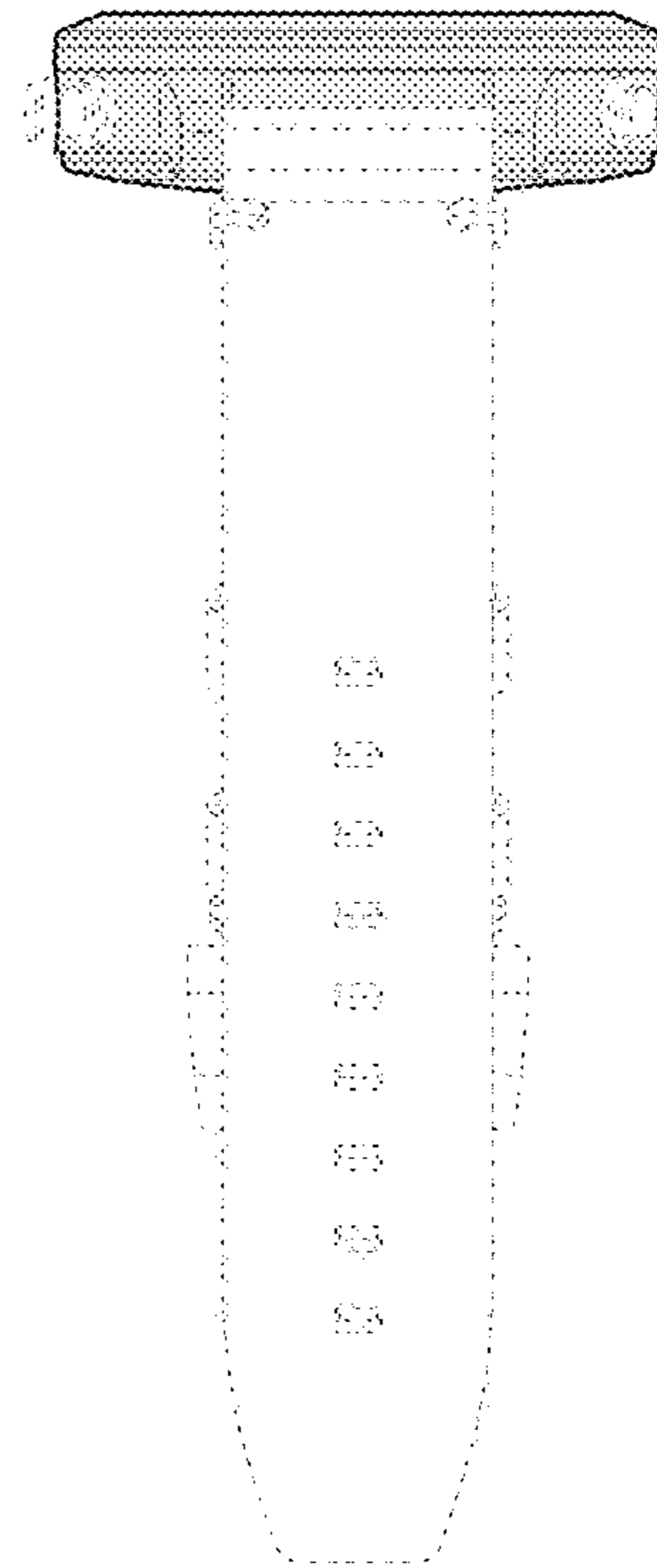


Fig. 5

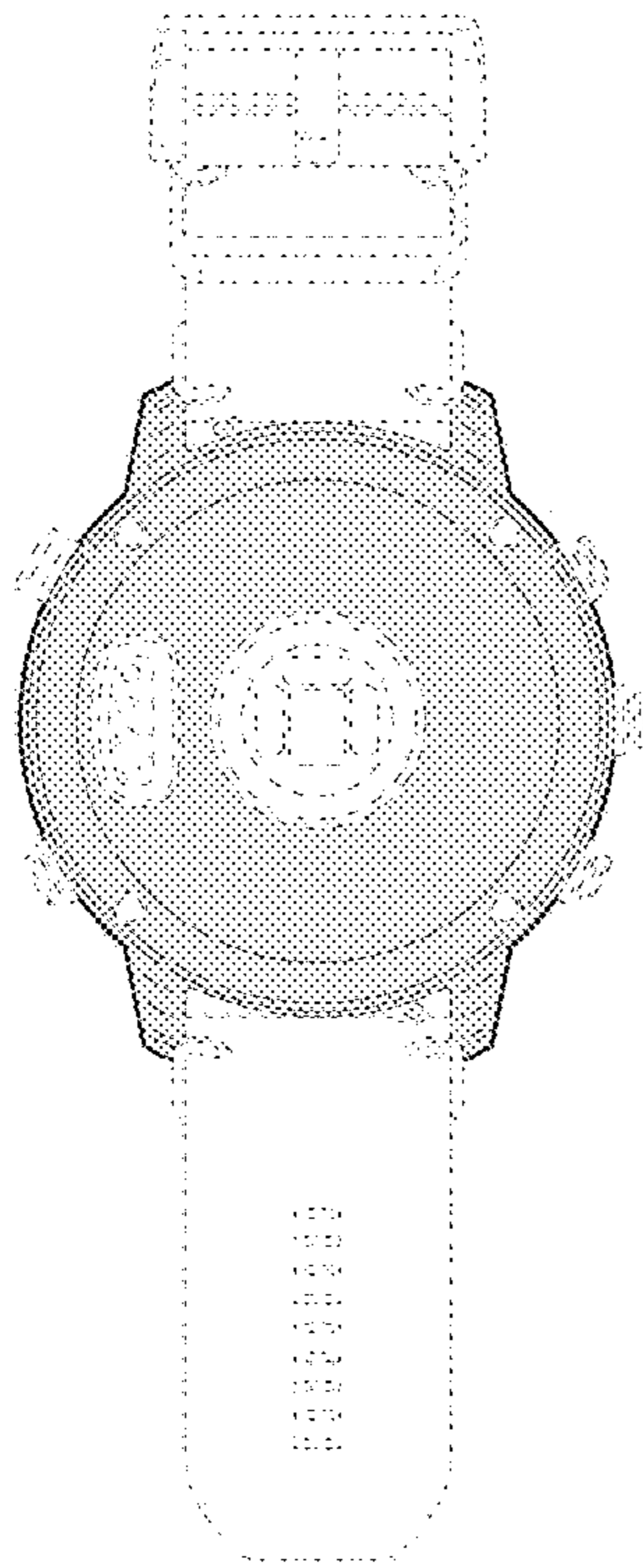


Fig. 6

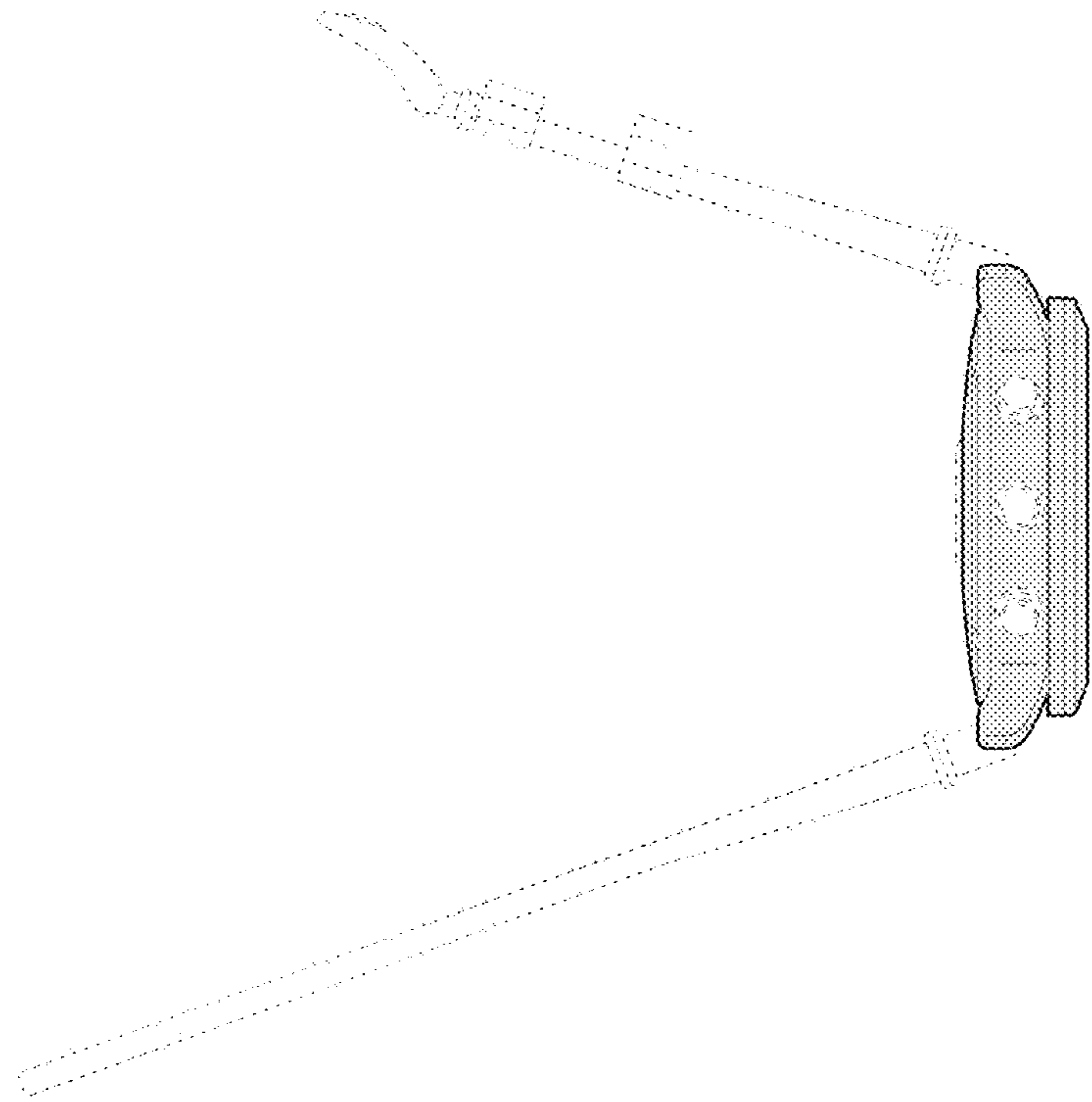


Fig. 7

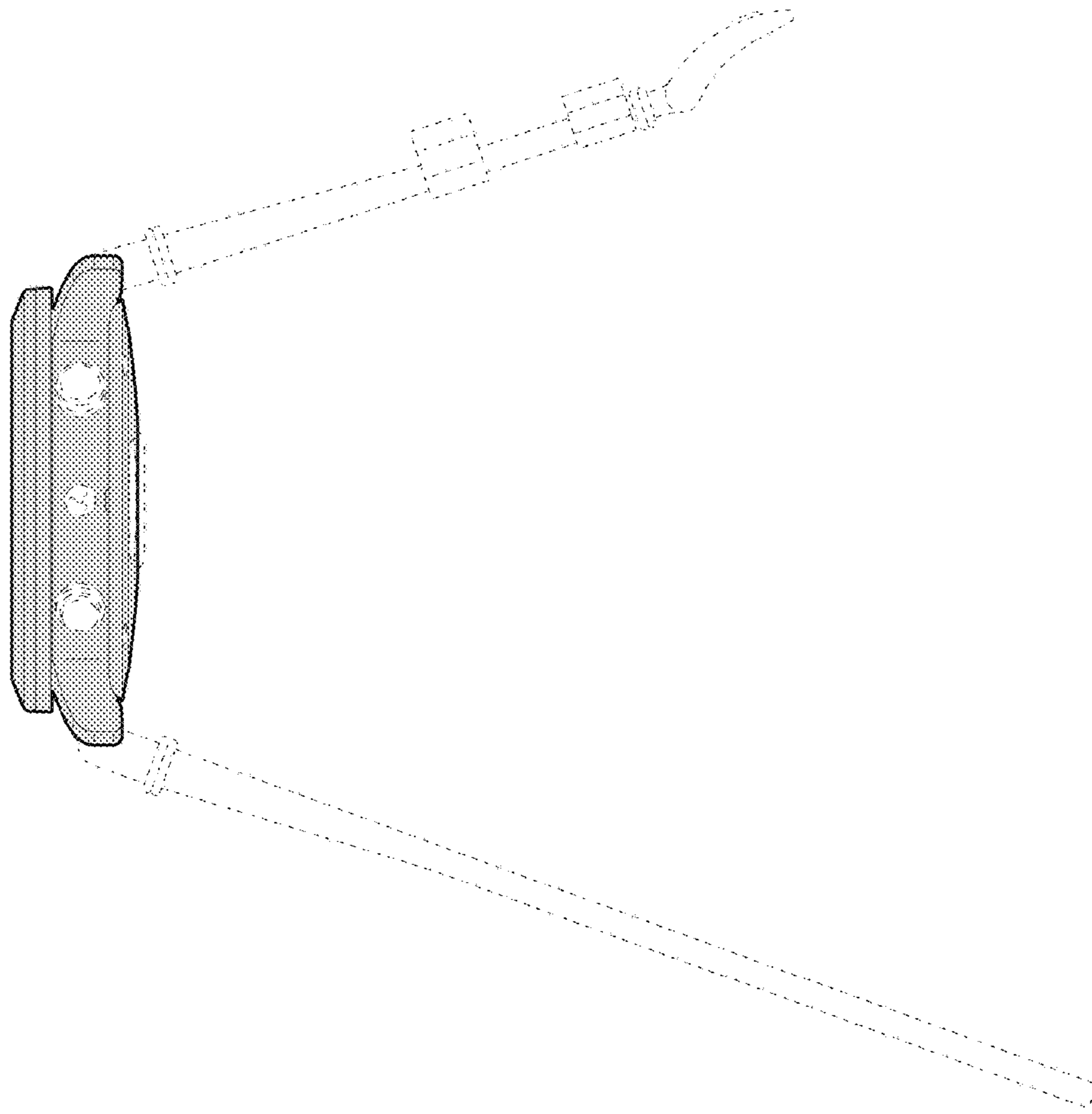


Fig. 8