



US00D806580S

(12) **United States Design Patent**  
**Harada**

(10) **Patent No.:** **US D806,580 S**  
(45) **Date of Patent:** **\*\* Jan. 2, 2018**

(54) **WRIST WATCH CASE WITH BAND**

(71) Applicant: **SEIKO WATCH KABUSHIKI KAISHA**, Chuo-ku, Tokyo (JP)

(72) Inventor: **Aki Harada**, Tokyo (JP)

(73) Assignee: **SEIKO WATCH KABUSHIKI KAISHA** (JP)

(\*\*) Term: **15 Years**

(21) Appl. No.: **29/548,731**

(22) Filed: **Dec. 16, 2015**

(51) **LOC (11) Cl.** ..... **10-02**

(52) **U.S. Cl.**  
USPC ..... **D10/30**

(58) **Field of Classification Search**  
USPC ..... D10/30-39, 129, 132; D24/167, 186;  
D11/3, 86

CPC ..... G04B 19/12; G04B 19/16  
See application file for complete search history.

(56) **References Cited**

**U.S. PATENT DOCUMENTS**

D244,432 S *	5/1977	Haber	.....	D10/32
D338,630 S *	8/1993	Bichi	.....	D11/12
D361,022 S *	8/1995	Hayashi	.....	D10/32
D378,898 S *	4/1997	Hayashi	.....	D10/30
D383,074 S *	9/1997	Hayashi	.....	D10/32
D431,476 S *	10/2000	Tanaka	.....	D10/32

D458,544 S *	6/2002	Inoue	.....	D10/30
D488,392 S *	4/2004	Tschumi	.....	D10/32
D544,374 S *	6/2007	Chodat	.....	D10/32
D544,802 S *	6/2007	Mouclier	.....	D10/32
D554,537 S *	11/2007	Actis-Datta	.....	D10/32
D567,674 S *	4/2008	Lassigne	.....	D10/31
D592,079 S *	5/2009	Yurman	.....	D10/32
D599,684 S *	9/2009	Chastaingt	.....	D10/39
D620,813 S *	8/2010	Hayek	.....	D10/32
D637,100 S *	5/2011	Hayek	.....	D11/3
D716,154 S *	10/2014	Harada	.....	D10/32
D759,505 S *	6/2016	Harada	.....	D10/32

\* cited by examiner

*Primary Examiner* — Sandra S Snapp

*Assistant Examiner* — Katherine Glennon

(74) *Attorney, Agent, or Firm* — Saidman DesignLaw Group, LLC

(57) **CLAIM**

The ornamental design for a wrist watch case with band, as shown and described.

**DESCRIPTION**

FIG. 1 is a perspective view of a wrist watch case with band showing my new design;  
FIG. 2 is a front elevational view thereof;  
FIG. 3 is a rear elevational view thereof;  
FIG. 4 is a left elevational view thereof;  
FIG. 5 is a right elevational view thereof;  
FIG. 6 is a top plan view thereof; and,  
FIG. 7 is a bottom plan view thereof.

**1 Claim, 5 Drawing Sheets**

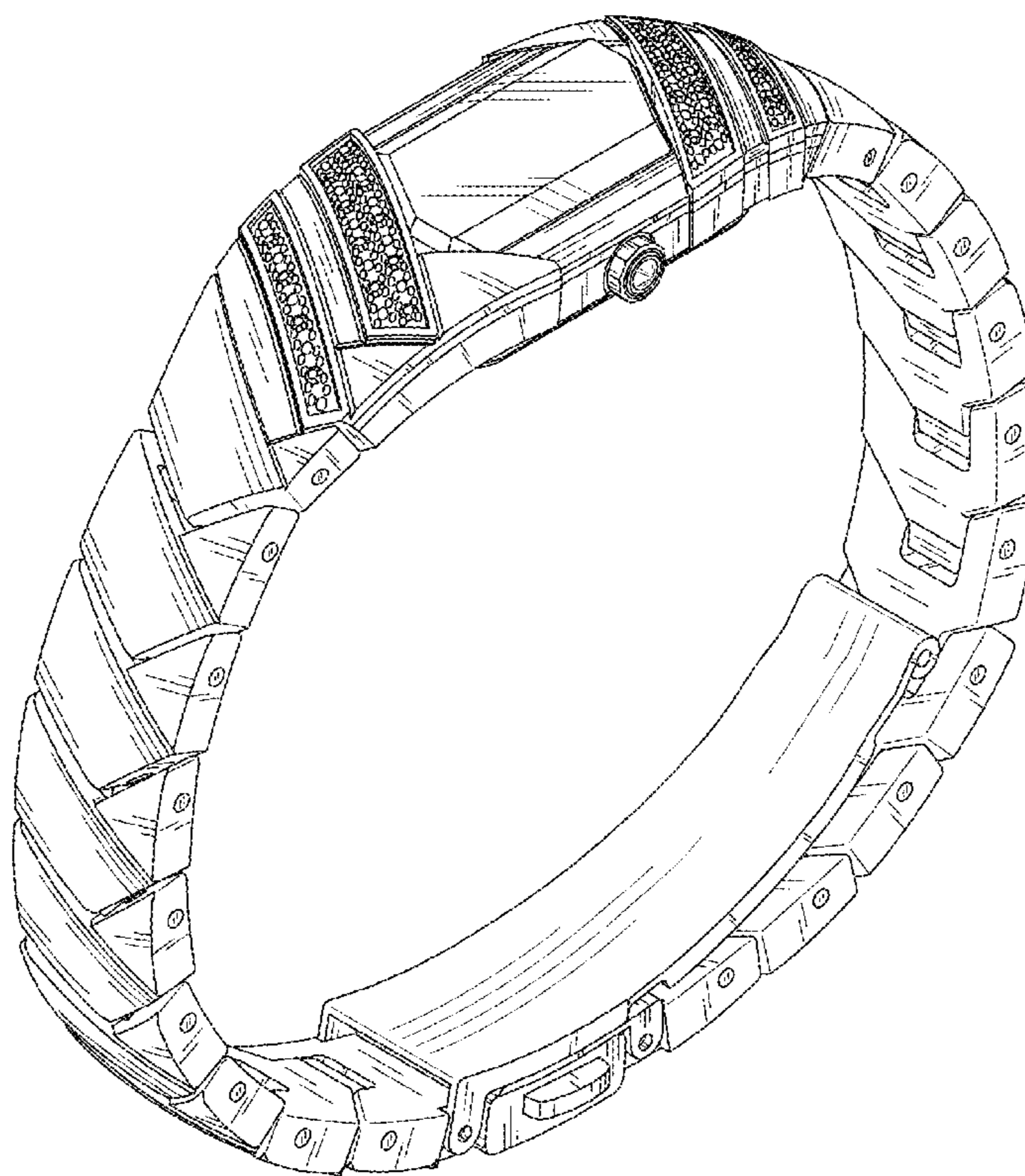


FIG. 1

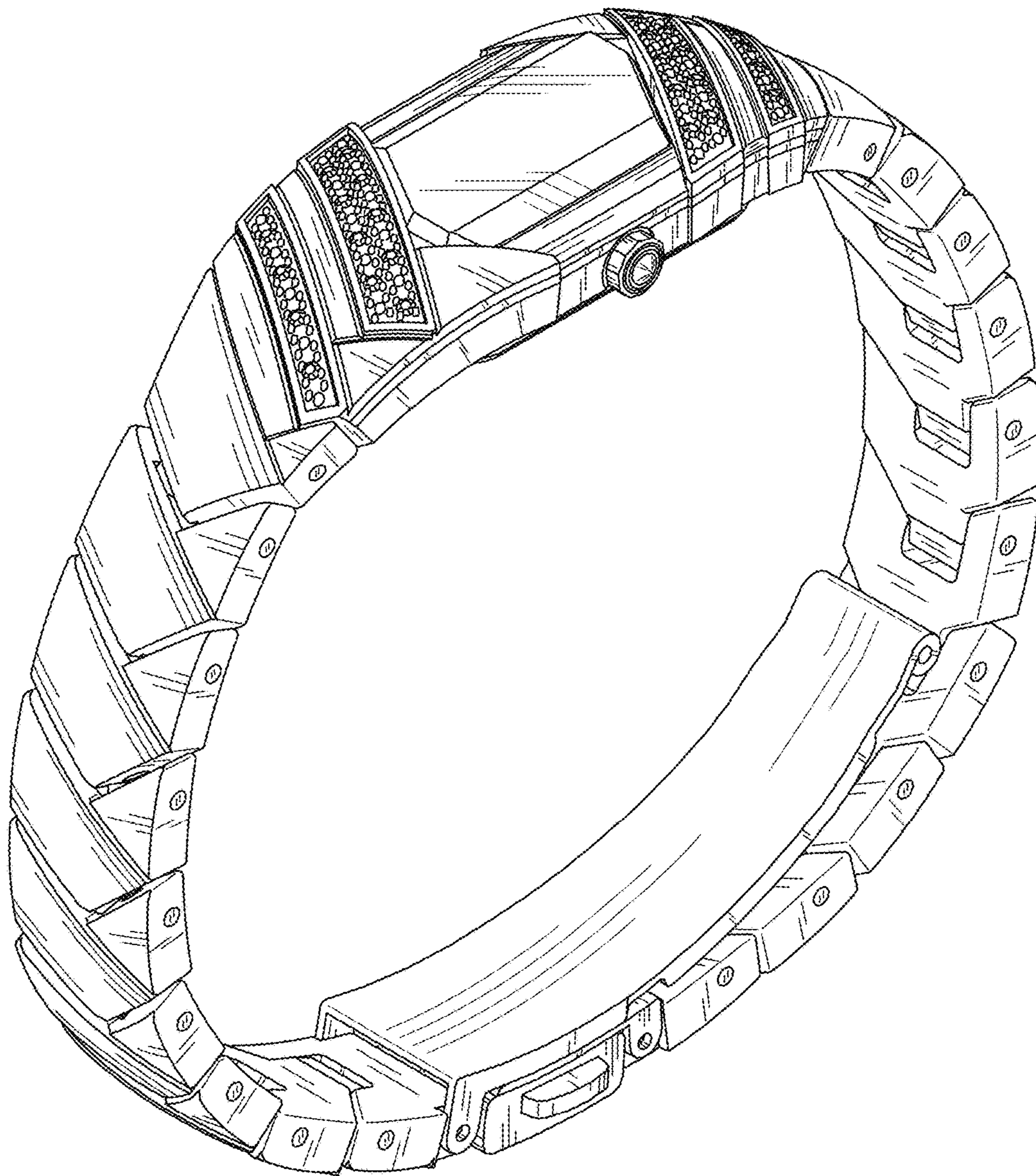


FIG.2

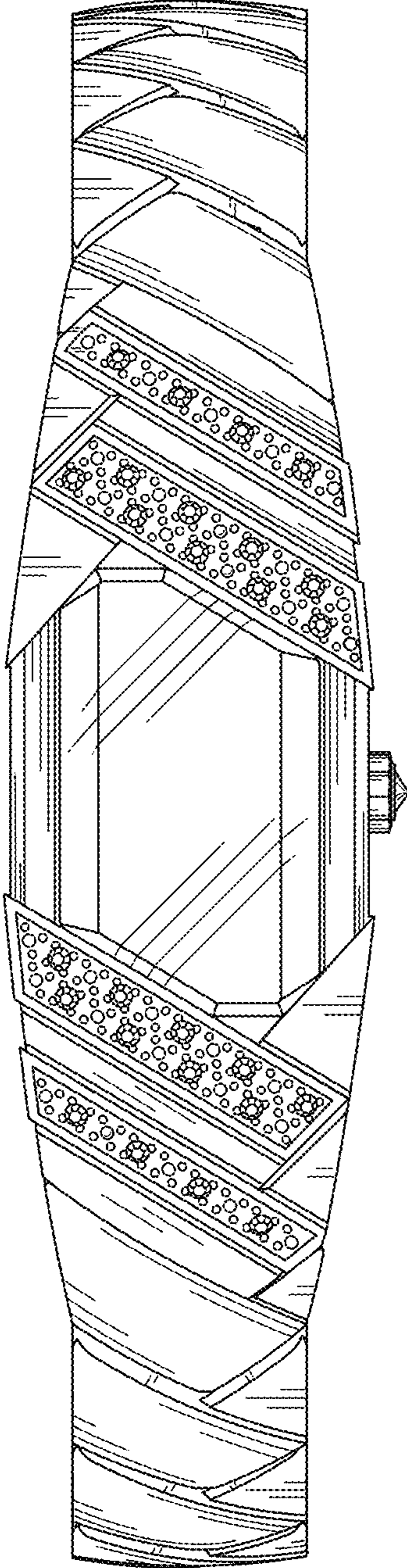


FIG.3

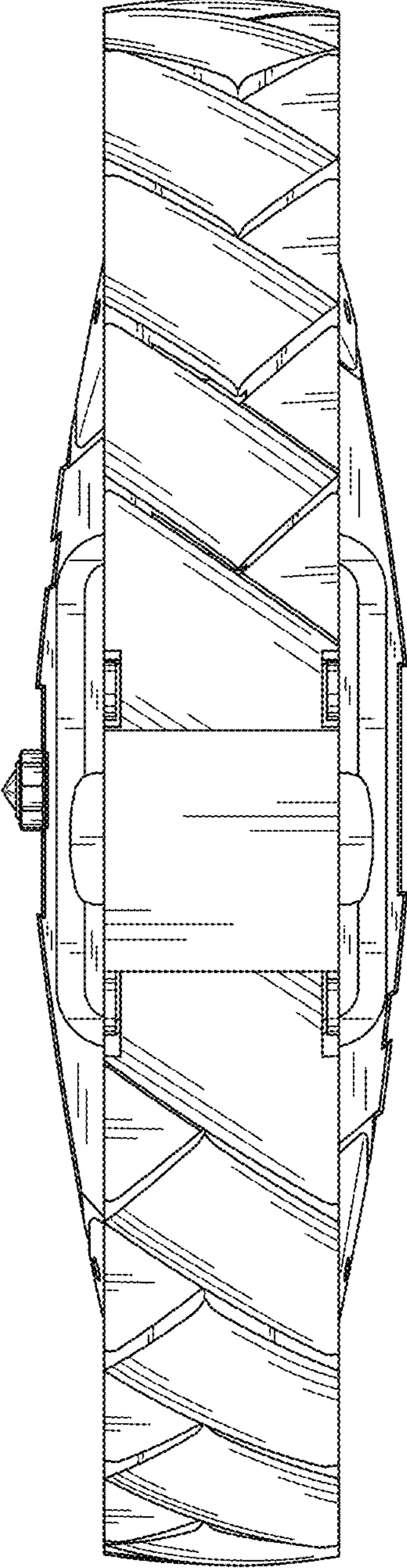


FIG.4

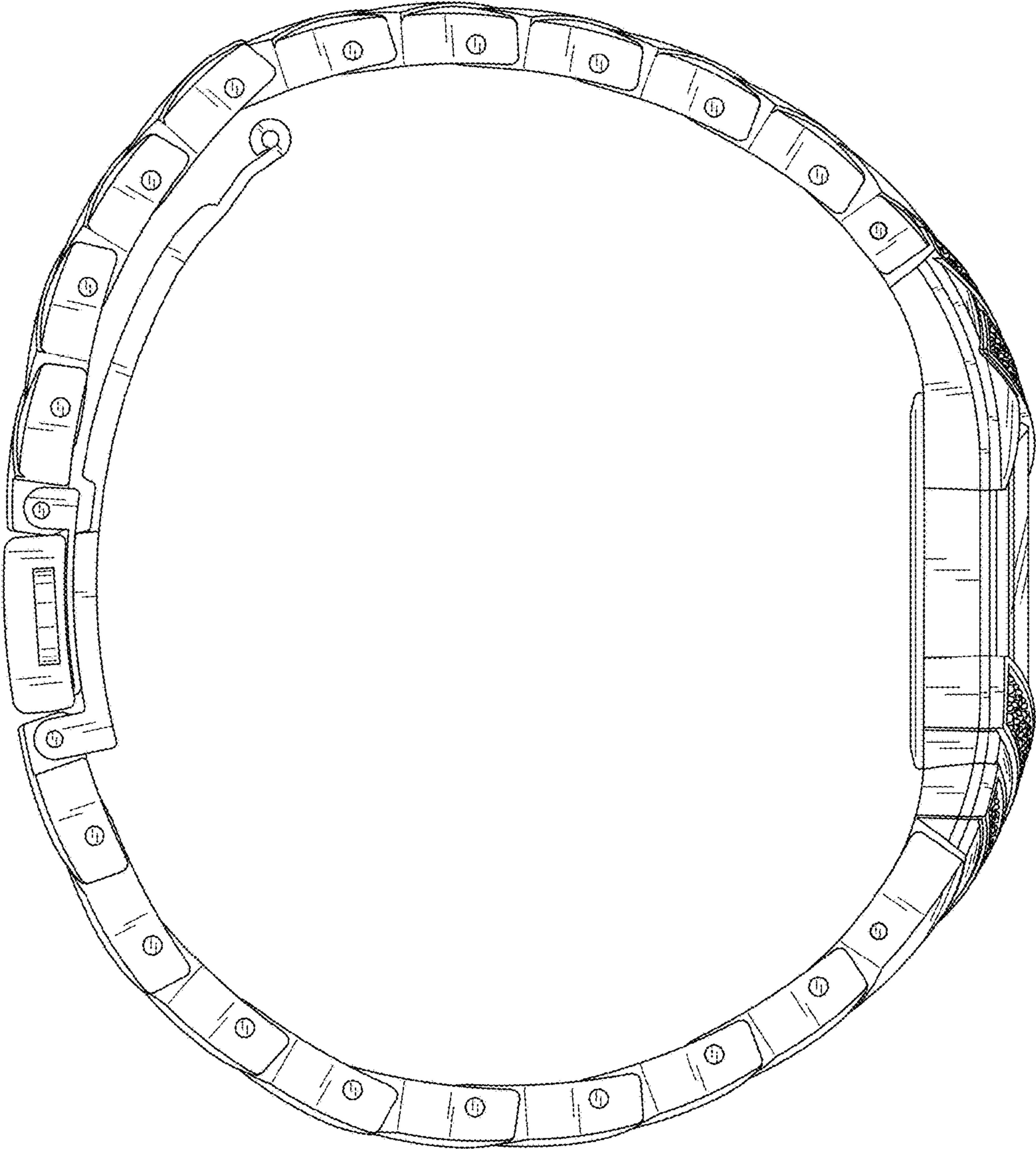


FIG.5

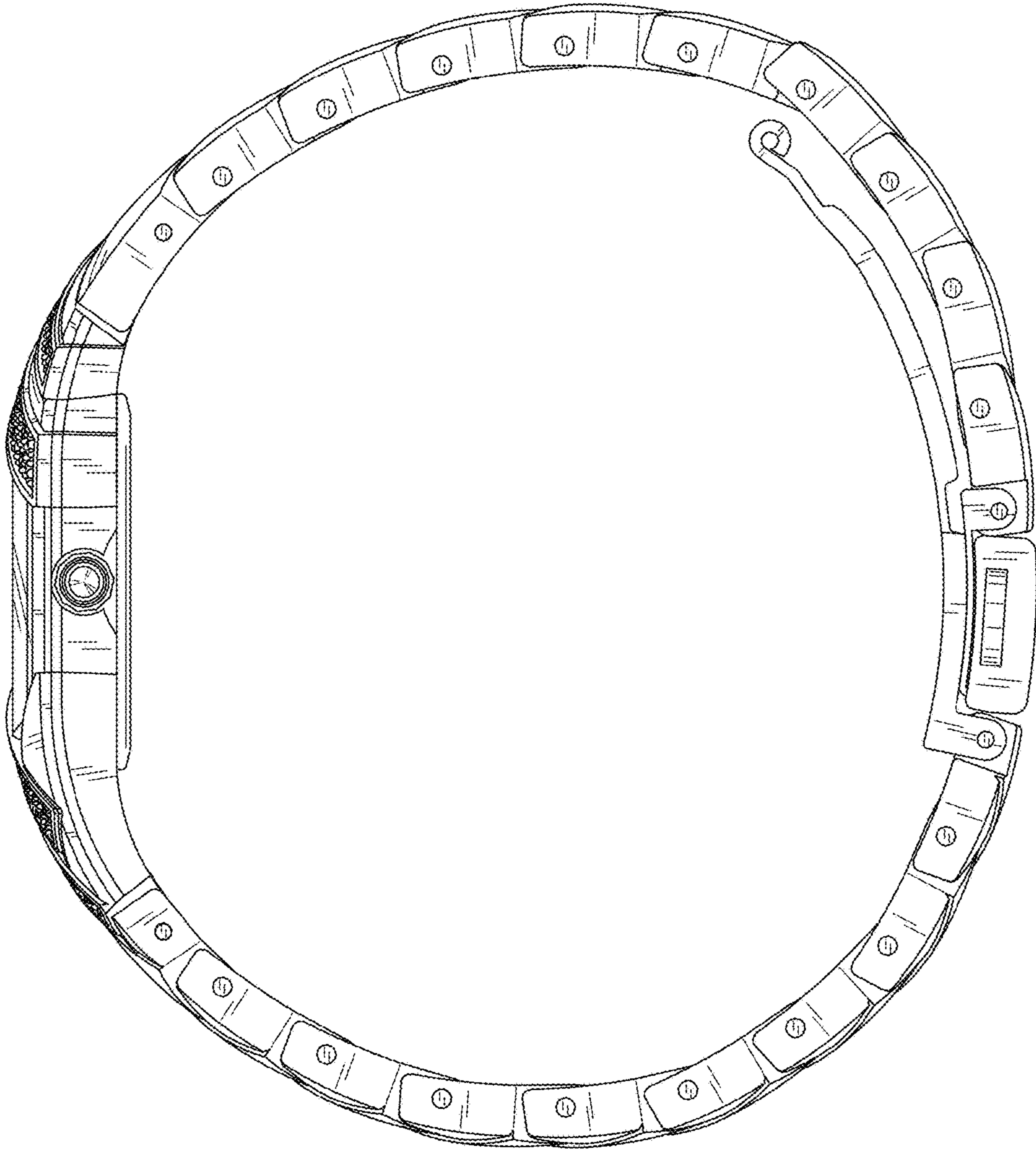


FIG.6

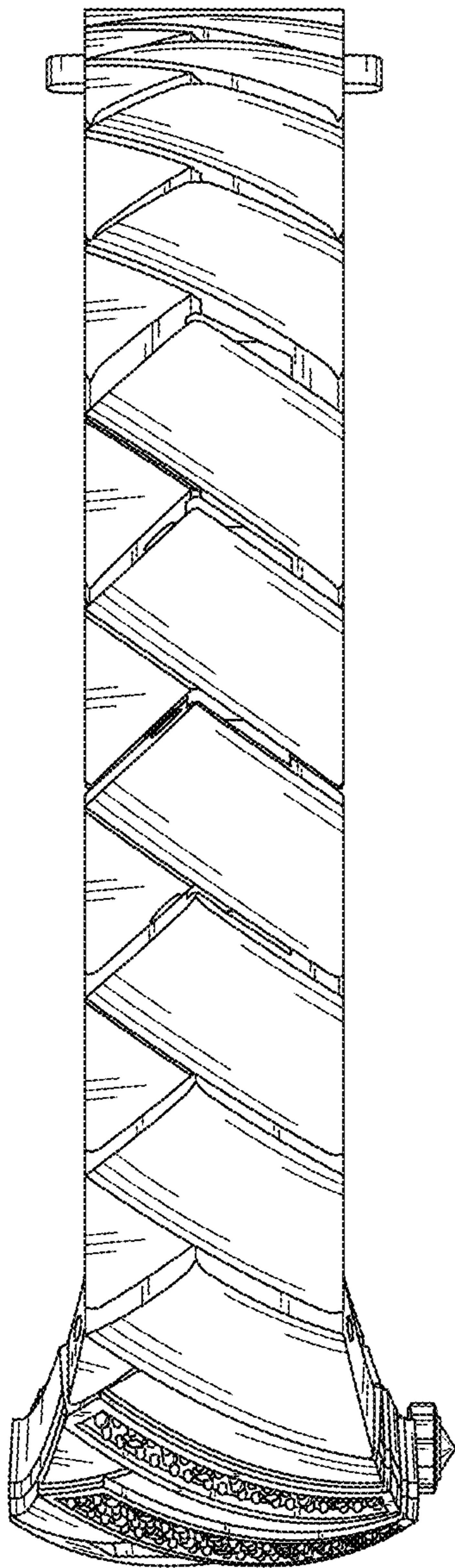


FIG.7

