



US00D806570S

(12) **United States Design Patent**
Gelbaum

(10) **Patent No.:** **US D806,570 S**
(45) **Date of Patent:** **** Jan. 2, 2018**

(54) **OVERLAY FOR MEDICATION CARD**

(71) Applicant: **CHIASMA INC.**, Waltham, MA (US)
(72) Inventor: **Dana Gelbaum**, Tel Aviv (IL)
(73) Assignee: **CHIASMA INC.**, Waltham, MA (US)

(**) Term: **15 Years**

(21) Appl. No.: **29/579,166**

(22) Filed: **Sep. 28, 2016**

Related U.S. Application Data

(63) Continuation of application No. 29/516,534, filed on Feb. 3, 2015, now Pat. No. Des. 770,303.

(51) **LOC (11) Cl.** **09-01**

(52) **U.S. Cl.**
USPC **D9/732**

(58) **Field of Classification Search**

USPC D9/414, 424, 456, 732, 737, 756, 759,
D9/761; 206/261, 461, 462, 467, 469,
206/470, 471, 528, 530, 531, 532, 534,
206/534.1, 534.2, 535-540; D24/227,
D24/229, 230
CPC B65D 75/327; B65D 2585/56; B65D
75/367; B65D 75/32; B65D 2575/3227;
B65D 83/0445; B65D 2575/367; B65D
2575/3245; B65D 83/04; B65D 75/22;
B65D 75/5855; B65D 75/323; B65D
2543/00296; B65D 5/4204; B65D 25/04;
B65D 75/52; B65D 75/585; B65D
73/0035; B65D 73/0085; B65D 75/58;
B65D 2543/00194; B65D 1/36; B65D
73/0078;

(Continued)

(56) **References Cited**

U.S. PATENT DOCUMENTS

3,958,690 A 5/1976 Gee, Sr.
4,084,695 A 4/1978 Halbich

(Continued)

FOREIGN PATENT DOCUMENTS

JP D1393431 S 7/2010
JP D1484873 S 11/2013
RU 84318 S 2/2013

OTHER PUBLICATIONS

MeadWestvaco Corporation, Dosepak® Medication Adherence Packaging, <http://mwv.com/en-us/healthcare/products/dosepak-medication-adherence-packaging>, 2015.

(Continued)

Primary Examiner — Lauren Calve

(74) *Attorney, Agent, or Firm* — Lando & Anastasi, LLP

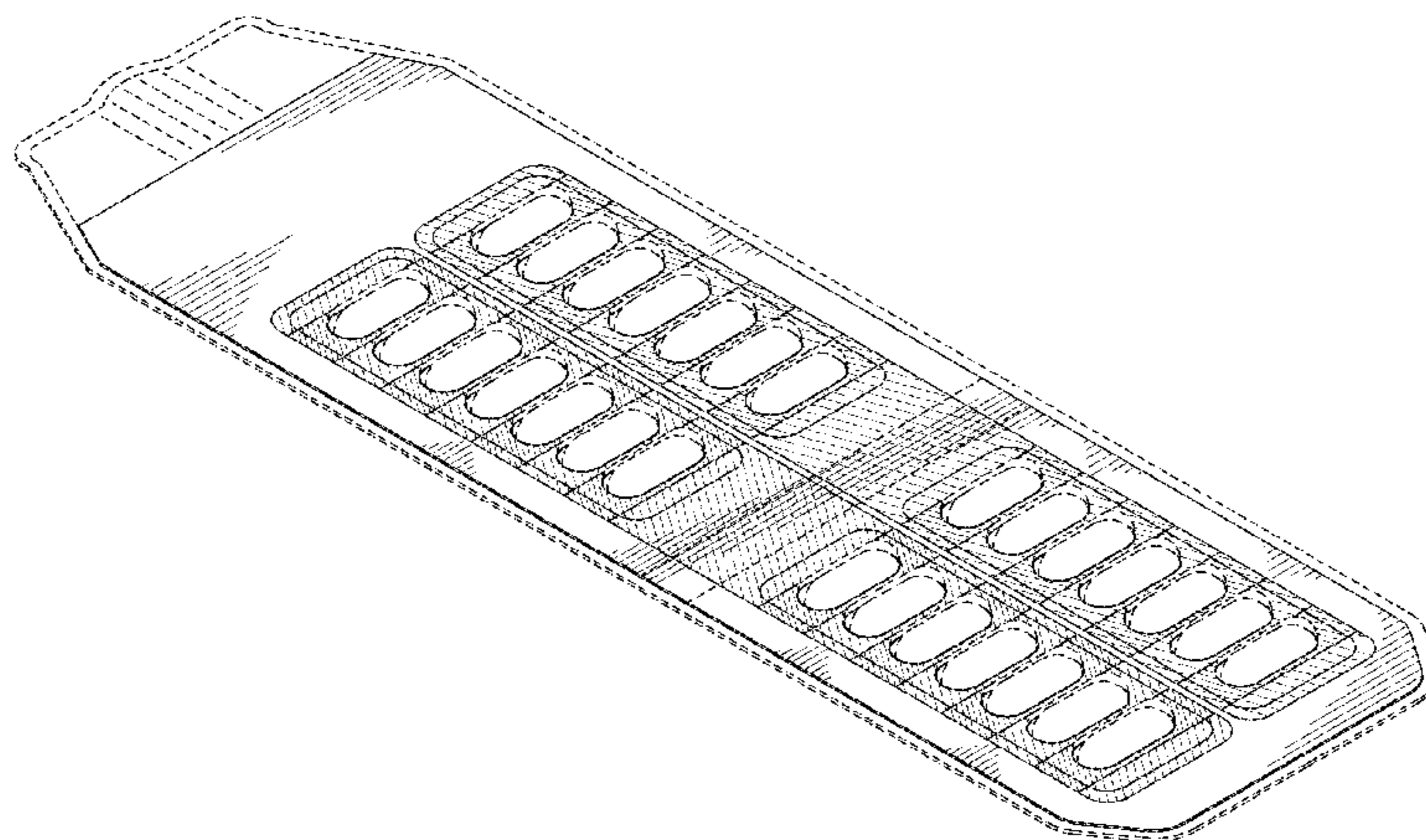
(57) **CLAIM**

The ornamental design for an overlay for medication card, as shown and described.

DESCRIPTION

FIG. 1 is a perspective view of an overlay for medication card in environmental use;
FIG. 2 is an exploded view thereof;
FIG. 3 is a front view of the overlay for medication card;
FIG. 4 is a rear view thereof;
FIG. 5 is a top view thereof;
FIG. 6 is a bottom view thereof;
FIG. 7 is a right side view thereof;
FIG. 8 is a left side view thereof; and,
FIG. 9 is a perspective view of the overlay for medication card shown in an alternate position in an environmental use. The broken lines represent unclaimed subject matter and form no part of the claimed design. Each style of parallel diagonal broken lines represents a type of surface ornamentation that forms a part of the claimed design.

1 Claim, 6 Drawing Sheets



(58) **Field of Classification Search**
 CPC B65D 2543/00805; B65D 73/0042; B65D
 75/225; B65D 77/30; B65D 2543/00092;
 B65D 75/522; B65D 1/0223
 See application file for complete search history.

(56) **References Cited**

U.S. PATENT DOCUMENTS

4,253,572	A	3/1981	Halbich	
4,372,445	A	2/1983	Keffeler	
4,384,649	A	5/1983	Brodsky	
4,416,375	A	11/1983	Braverman et al.	
4,429,792	A	2/1984	Machbitz	
4,553,670	A	11/1985	Collens	
4,664,262	A	5/1987	White	
5,014,851	A	5/1991	Wick	
5,377,839	A	1/1995	Relyea et al.	
5,542,236	A *	8/1996	Miller A61J 7/04 53/467	
5,603,409	A	2/1997	Braverman	
5,791,478	A	8/1998	Kalvelage et al.	
6,023,916	A	2/2000	Bouthiette	
6,082,544	A	7/2000	Romick	
6,338,408	B1	1/2002	Anderson	
D546,198	S	7/2007	Currie et al.	
D562,153	S	2/2008	Ruble et al.	
7,328,801	B2	2/2008	Iossi	
7,389,875	B2	6/2008	Sandberg et al.	
7,762,399	B2	7/2010	Bouthiette	
D622,158	S	8/2010	Proulx	
7,779,614	B1 *	8/2010	McGonagle A61J 1/035 53/238	

7,937,911	B1	5/2011	McGonagle et al.	
8,100,262	B2	1/2012	Jones	
D658,991	S	5/2012	Schmitz et al.	
8,240,084	B2	8/2012	Cope et al.	
D684,482	S	6/2013	Stevens	
D723,390	S	3/2015	Eriksson et al.	
9,408,777	B2 *	8/2016	Choubey A61J 1/035	
D770,303	S *	11/2016	Gelbaum D9/732	
9,586,748	B2 *	3/2017	Le B65D 83/0463	
2004/0026293	A1	2/2004	Hughes	
2004/0148054	A1	7/2004	Schwartz	
2005/0044762	A1	3/2005	Atluri	
2006/0086639	A1	4/2006	Priebe et al.	
2006/0144747	A1	7/2006	Le et al.	
2007/0054525	A1 *	3/2007	Jones B65D 5/38 439/159	
2007/0068843	A1	3/2007	Hession	
2008/0093252	A1	4/2008	Hession	
2008/0241226	A1	10/2008	Abeln et al.	
2009/0283438	A1	11/2009	Bourque	
2010/0096292	A1	4/2010	Jones	
2010/0108559	A1	5/2010	Kohl	
2010/0108677	A1	5/2010	Loftin et al.	
2013/0037436	A1	2/2013	Wagner et al.	

OTHER PUBLICATIONS

MeadWestvaco Corporation, Dosepak Express® with Optilock®
 technology, <http://mwv.com/en-us/healthcare/products/dosepak-express-with-optilock-technology>, 2015.

* cited by examiner

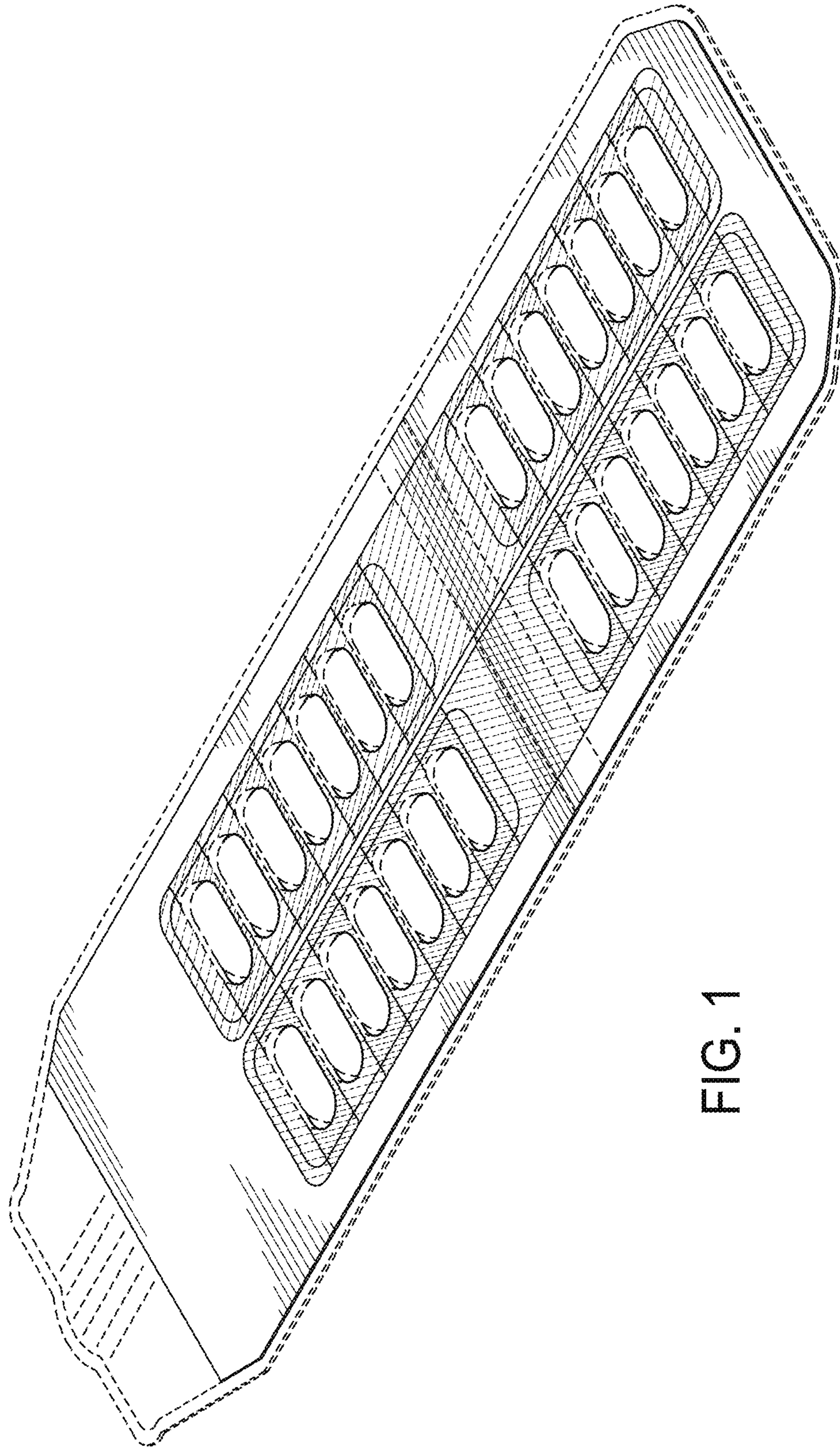


FIG. 1

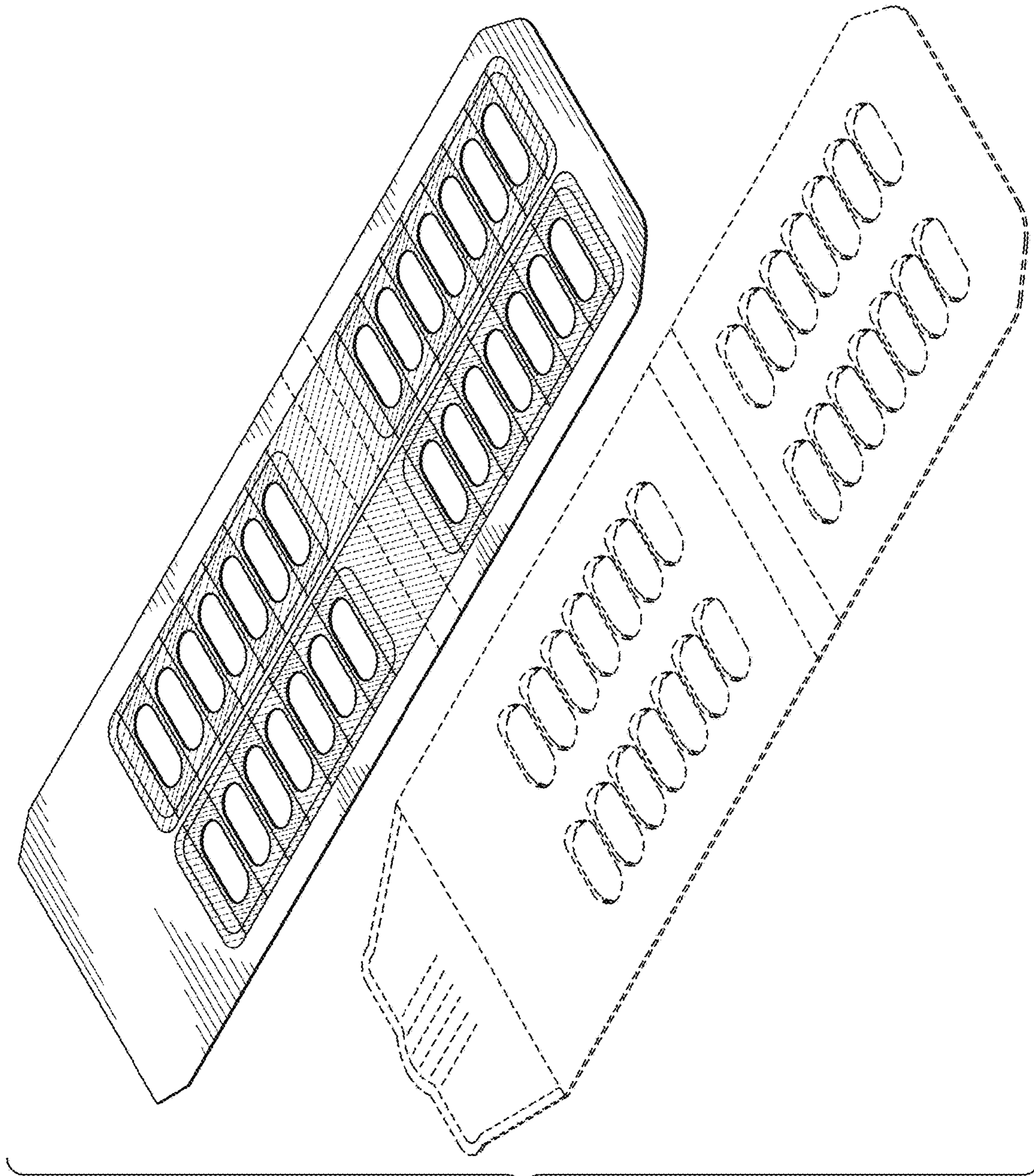


FIG. 2

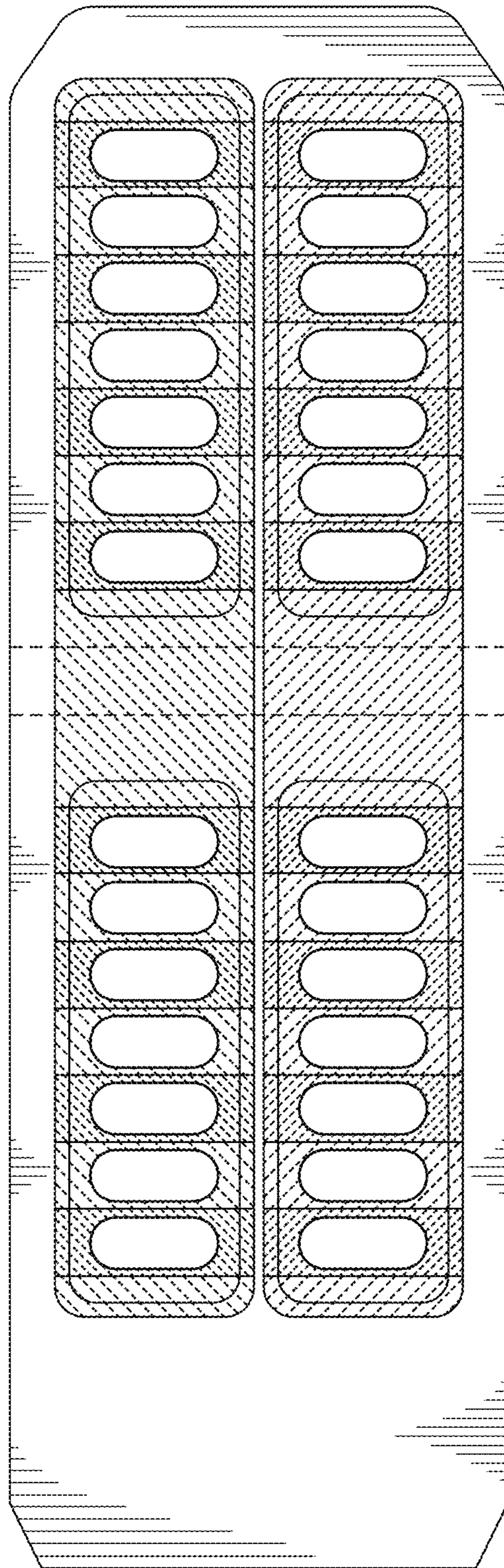


FIG. 3

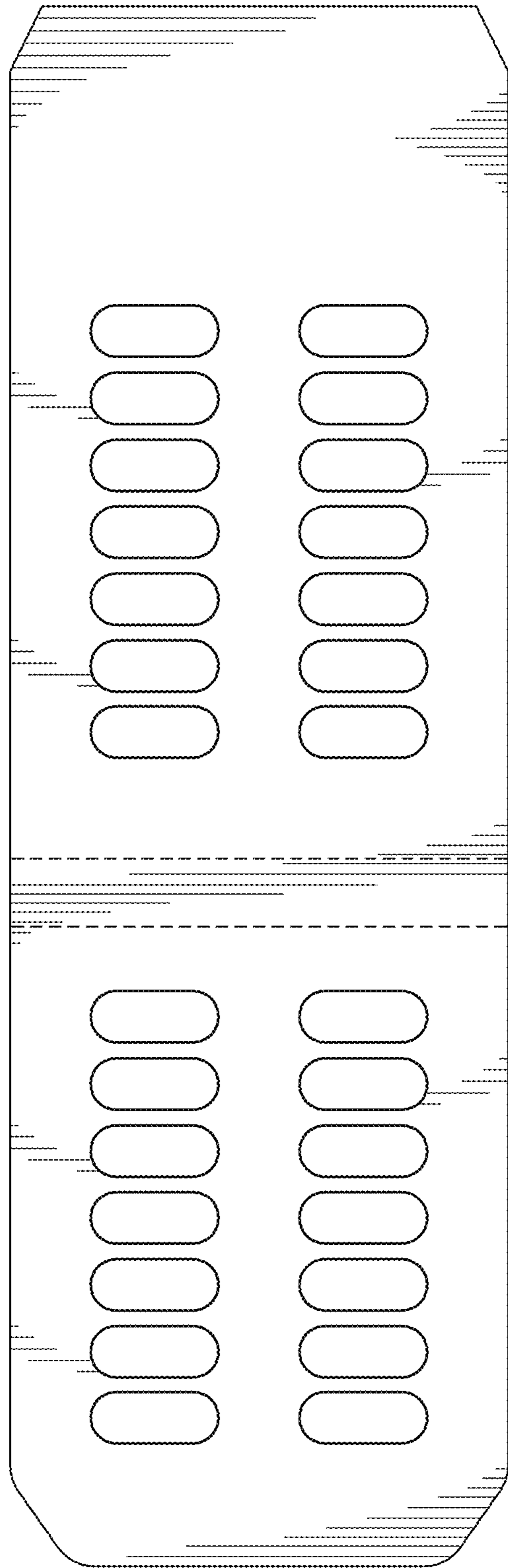


FIG. 4

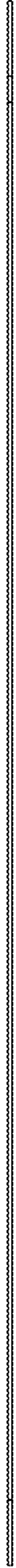


FIG. 5

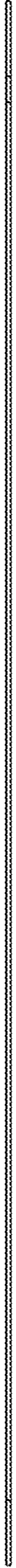


FIG. 6



FIG. 7

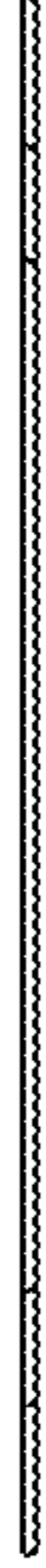


FIG. 8

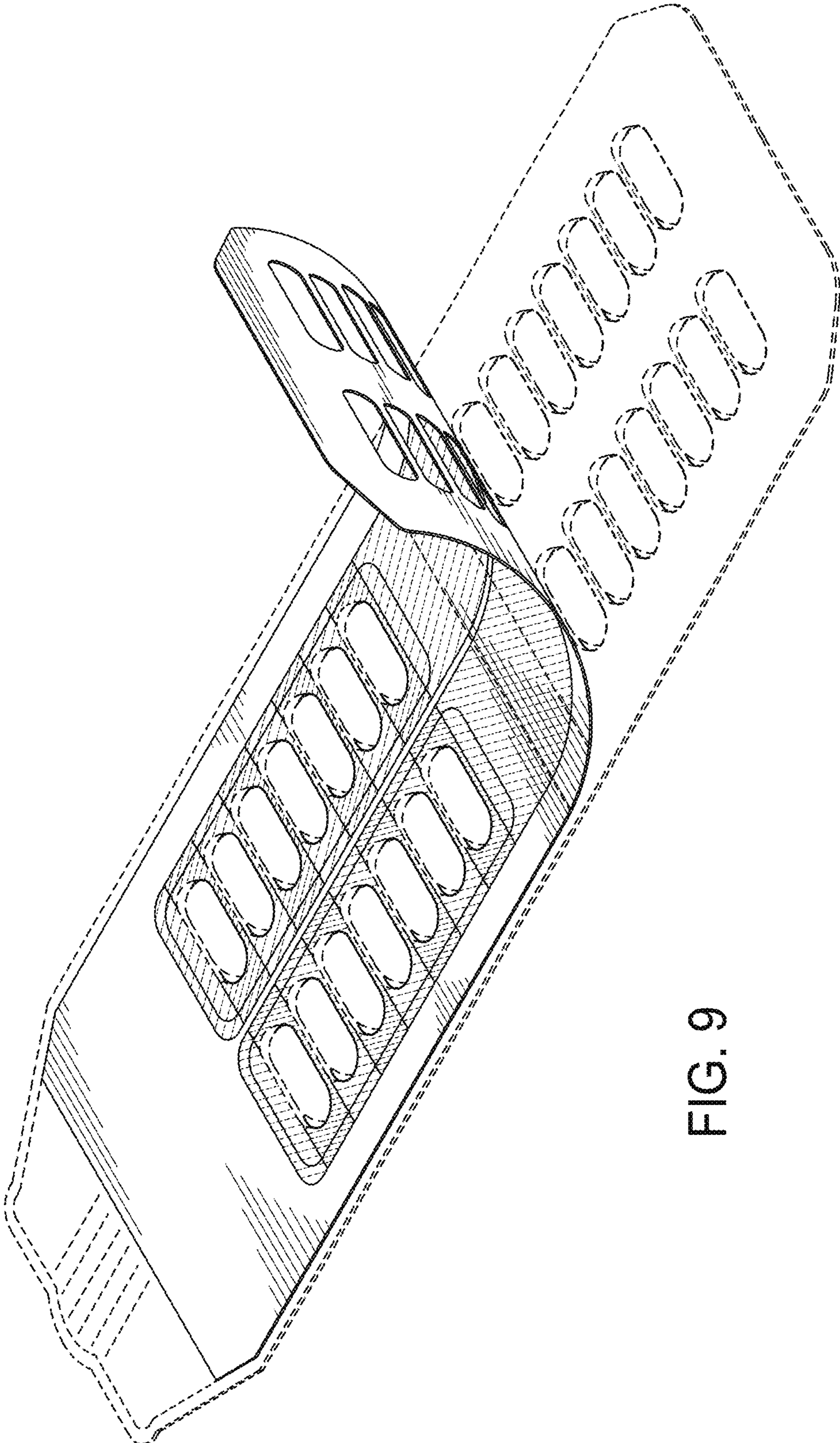


FIG. 9