



US00D806567S

(12) **United States Design Patent**
Ammar

(10) **Patent No.:** **US D806,567 S**
(45) **Date of Patent:** **** Jan. 2, 2018**

- (54) **TIME-INDICATING MEDICATION BOTTLE**
- (71) Applicant: **Karen S Ammar**, Hollywood, FL (US)
- (72) Inventor: **Karen S Ammar**, Hollywood, FL (US)
- (**) Term: **15 Years**
- (21) Appl. No.: **29/505,750**
- (22) Filed: **Feb. 1, 2016**
- (51) **LOC (11) Cl.** **09-03**
- (52) **U.S. Cl.**
USPC **D9/719**
- (58) **Field of Classification Search**
USPC D9/715, 719, 721, 416, 723, 724, 726,
D9/502, 740, 730, 733; D3/201, 203.1,
D3/203.2
CPC .. A61J 7/04; A61J 1/03; A61J 2205/30; A61J
7/0481; A61J 1/00; A61J 2200/30; A61J
2205/70; A61J 7/0454; A61J 2205/60;
A61J 2205/50; A61J 1/1412; A61M
15/0068; A61M 15/0075; A61M 15/0073;
A61M 15/0071; A61M 15/0025; G09F
11/23; B65D 50/041; B65D 2583/0409;
B65D 83/0409; B65D 25/205; B65D
2203/00; B65D 2203/02
See application file for complete search history.

(56) **References Cited**

U.S. PATENT DOCUMENTS

- 2,739,564 A * 3/1956 North A61J 7/04
116/308
- 2,767,680 A * 10/1956 Lermer A61J 7/04
116/308
- 4,238,033 A * 12/1980 Artzt A61J 7/04
206/534
- 4,528,933 A * 7/1985 Allen A61J 7/04
116/308
- 4,749,093 A * 6/1988 Trick B65D 41/06
116/308

- 4,802,438 A * 2/1989 DeJonge B65D 23/14
116/308
- 4,877,119 A * 10/1989 Hosking G01F 19/00
116/227
- 5,011,032 A * 4/1991 Rollman A61J 7/04
116/321
- 5,662,224 A * 9/1997 Nogues A61J 7/04
206/534
- 6,068,149 A * 5/2000 Telega B65D 51/24
116/308
- 6,089,180 A * 7/2000 Nichols, Jr. G09F 11/23
116/308
- 6,324,123 B1 * 11/2001 Durso A61J 7/0481
221/15
- 6,352,153 B1 * 3/2002 Ohashi B65D 51/26
206/205
- D540,679 S * 4/2007 Tanner D9/420
- 7,222,736 B1 * 5/2007 Seijas A61J 7/04
116/308
- D550,571 S * 9/2007 Diaz D9/719
- 7,857,134 B2 * 12/2010 Koch A61J 7/04
206/459.1
- 8,136,687 B2 * 3/2012 Wu A61J 1/03
215/206

(Continued)

Primary Examiner — Lauren Calve
(74) *Attorney, Agent, or Firm* — Christina Chamberlain

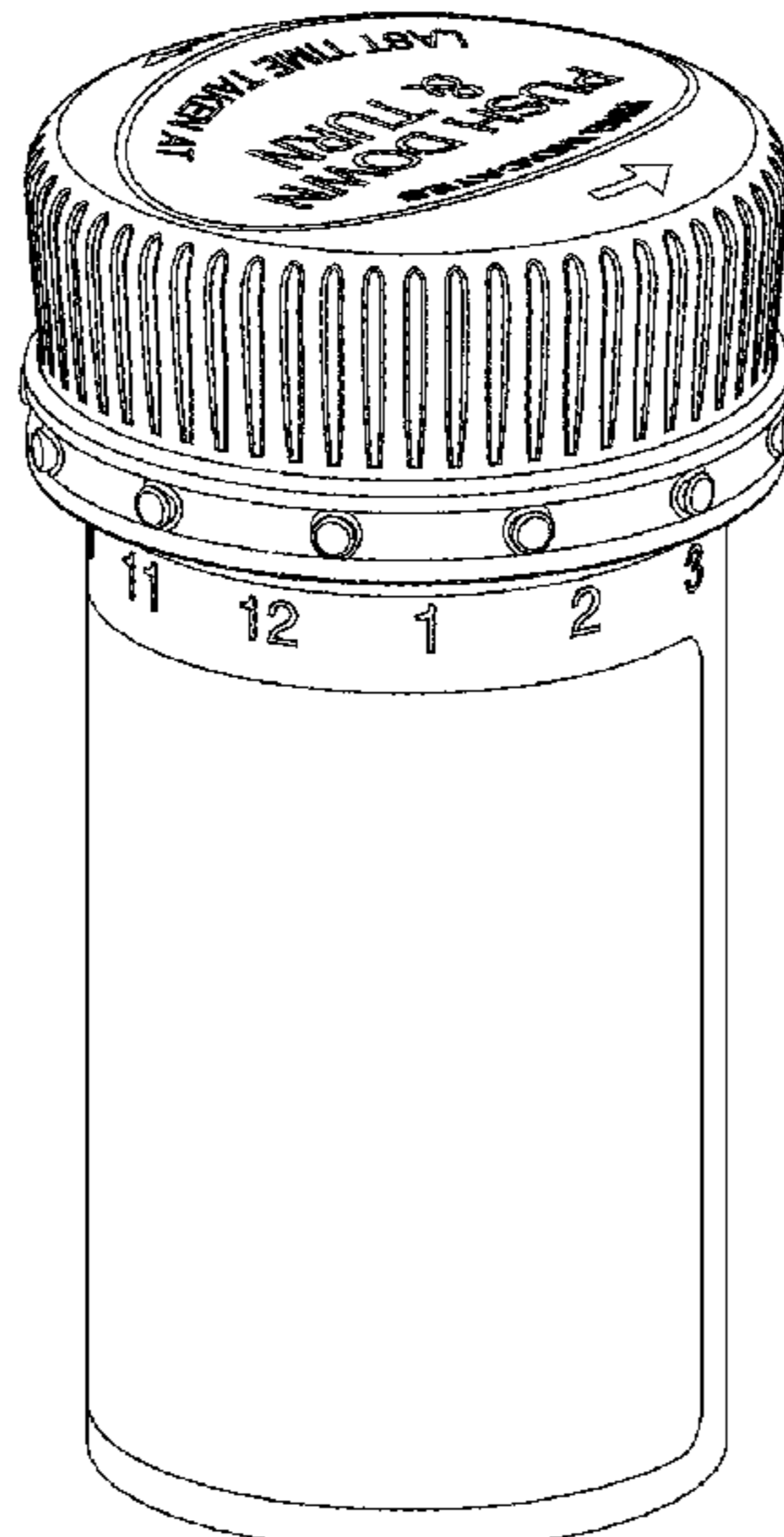
(57) **CLAIM**

The ornamental design for a time-indicating medication bottle, as shown and described.

DESCRIPTION

FIG. 1 is a perspective view of a time-indicating medication bottle showing my new design.
FIG. 2 is a side view of the time-indicating medication bottle in FIG. 1; and,
FIG. 3 is a top view of the time-indicating medication bottle in FIG. 1.

1 Claim, 3 Drawing Sheets



(56)

References Cited

U.S. PATENT DOCUMENTS

D675,099 S * 1/2013 Luciano, Jr. D9/445
8,534,220 B1 * 9/2013 Olson G09F 11/23
116/308
9,199,766 B1 * 12/2015 Kosierkiewicz B65D 25/00
9,492,356 B2 * 11/2016 Balakier A61J 7/04
2003/0192468 A1 * 10/2003 Goertzen G09F 11/23
116/309
2006/0180566 A1 * 8/2006 Mataya A61J 7/04
215/230
2008/0000792 A1 * 1/2008 Koch A61J 7/04
206/459.5
2008/0257777 A1 * 10/2008 Miceli B65D 23/085
206/534
2011/0284415 A1 * 11/2011 Balakier A61J 7/04
206/459.1
2014/0008319 A1 * 1/2014 Buxton-Dakides A61J 1/03
215/230

* cited by examiner

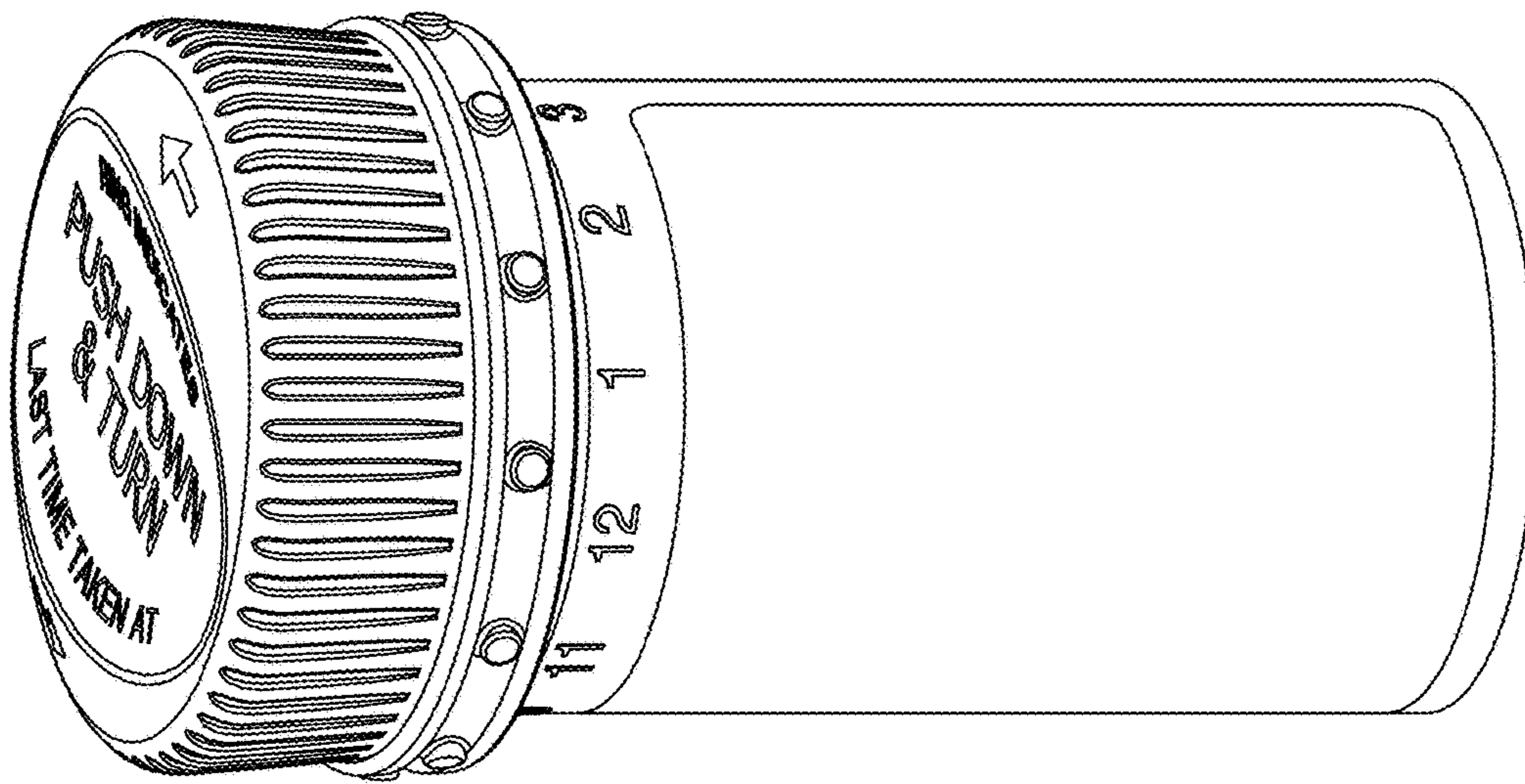


FIG. 1

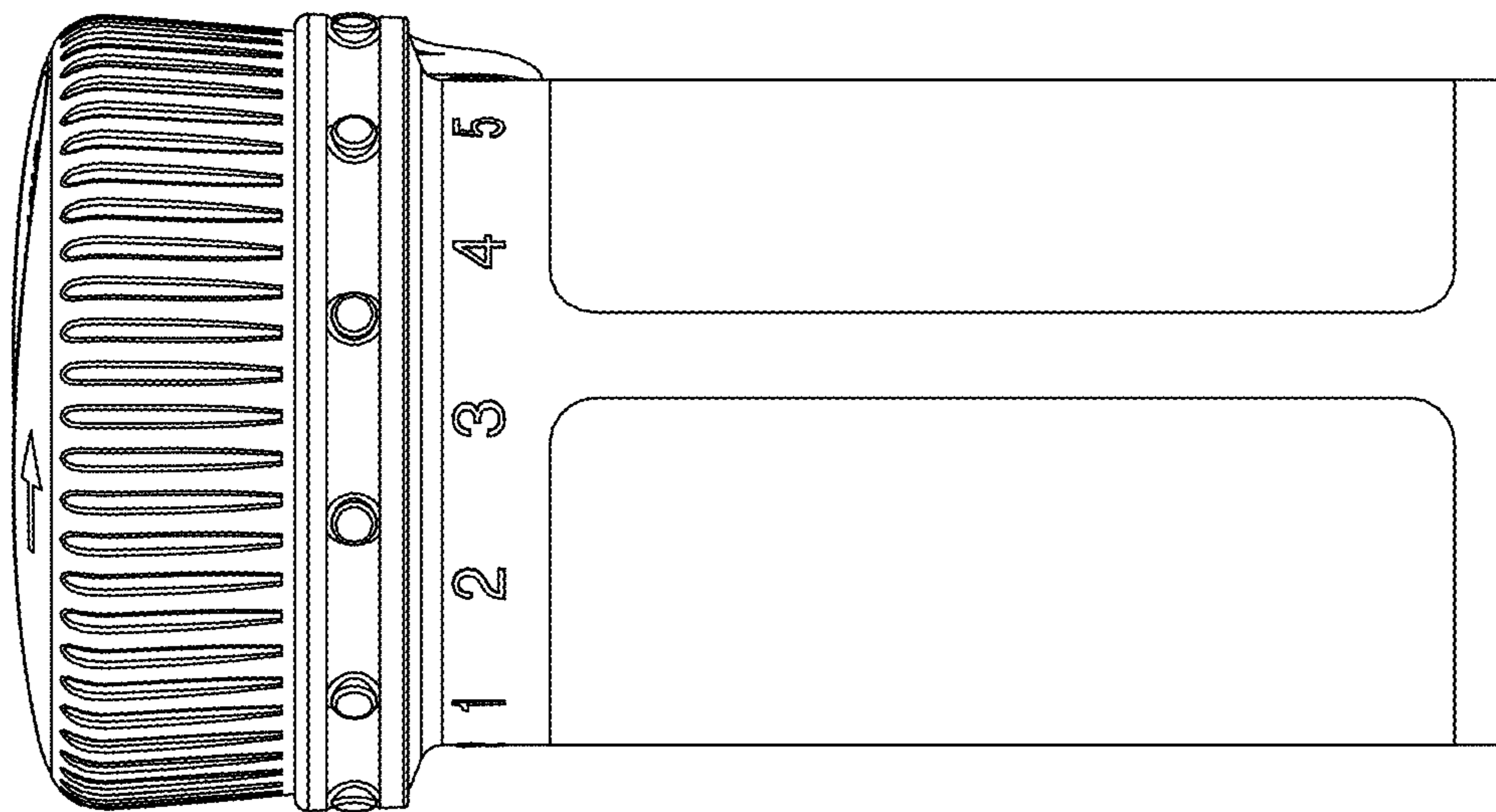


FIG. 2

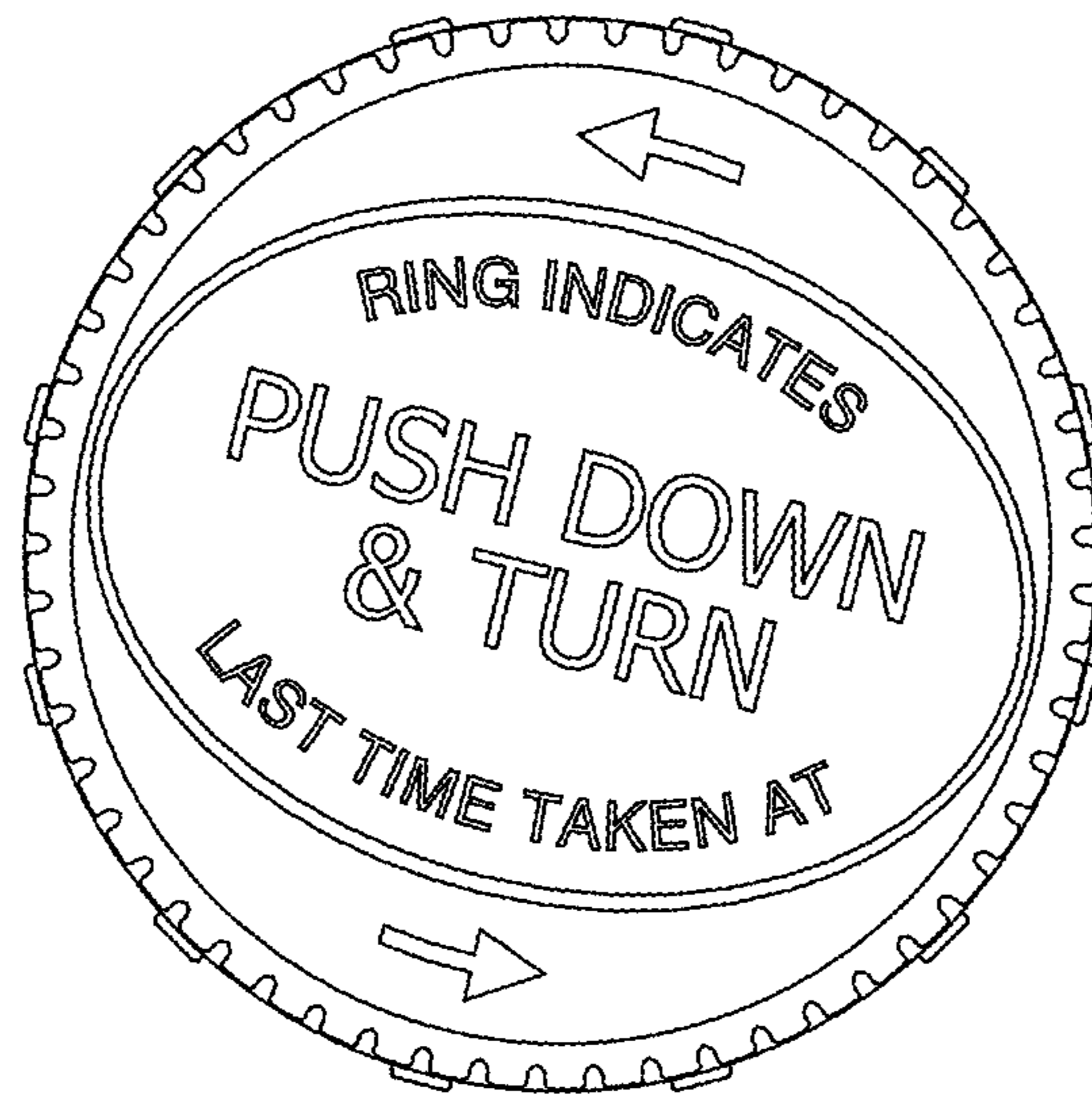


FIG. 3