



US00D806566S

(12) **United States Design Patent**
Pisarevsky

(10) **Patent No.:** **US D806,566 S**
(45) **Date of Patent:** **** Jan. 2, 2018**

(54) **DUAL FOOD CONTAINER**

(71) Applicant: **Eric Pisarevsky**, Montreal (CA)

(72) Inventor: **Eric Pisarevsky**, Montreal (CA)

(**) Term: **15 Years**

(21) Appl. No.: **29/550,377**

(22) Filed: **Jan. 3, 2016**

(51) **LOC (11) Cl.** **09-03**

(52) **U.S. Cl.**
USPC **D9/717**

(58) **Field of Classification Search**
USPC D9/414, 424, 425, 428, 715, 717, 716,
D9/718, 719, 761; D7/601, 602, 637,
D7/638, 641; D3/201, 202; 206/216,
206/229, 745, 751; 220/212, 574, 574.1
CPC A47G 19/06; A47G 19/03; A47G 19/2205;
A47G 21/04; A47G 23/03; A47G
19/2266; B65D 51/246; B65D
2543/00296; B65D 51/28; B65D
2543/00092; B65D 51/24; B65D 77/24;
B65D 81/36; B65D 43/0212; B65D
2543/00842; B65D 51/247; B65D 1/36;
B65D 2543/00194; B65D 5/4204; B65D
85/00; B65D 21/0233; B65D 83/00;
B65D 81/2015; B65D 81/3453; B65D
83/0805; B65D 2543/00648; B65D 43/02;
B65D 2543/00231

See application file for complete search history.

(56) **References Cited**

U.S. PATENT DOCUMENTS

700,653 A * 5/1902 Jobson A47G 21/145
131/242

2,745,586 A * 5/1956 Thoma B65D 3/06
215/DIG. 5

2,840,292 A * 6/1958 Stoddard A47G 19/2205
229/117.19

D283,873 S * 5/1986 Dilot D9/717

6,371,324 B1 * 4/2002 Tornainen B65D 51/246
206/541

D528,432 S * 9/2006 Snedden D9/716

D560,512 S * 1/2008 Safar D9/715

D571,150 S * 6/2008 Franco D7/507

D661,588 S * 6/2012 Irani D9/449

8,381,935 B1 * 2/2013 Buck A47G 19/2205
220/212

8,870,010 B2 * 10/2014 Buck A47G 19/2205
206/217

D718,148 S * 11/2014 Marret D9/717

2009/0289070 A1 * 11/2009 Costa A47G 21/04
220/574.1

2013/0068772 A1 * 3/2013 Durdon B65D 43/0212
220/521

2013/0098923 A1 * 4/2013 Sandoval A47G 19/06
220/574

(Continued)

Primary Examiner — Lauren Calve

(57) **CLAIM**

The ornamental design for a dual food container, as shown and described.

DESCRIPTION

FIG. 1 is a perspective view of the dual food container of the present invention;

FIG. 2 is an exploded view thereof;

FIG. 3 is a left view of FIG. 1;

FIG. 4 is a right view of FIG. 1;

FIG. 5 is a front view of FIG. 1;

FIG. 6 is a rear view of FIG. 1;

FIG. 7 is a top view of FIG. 1;

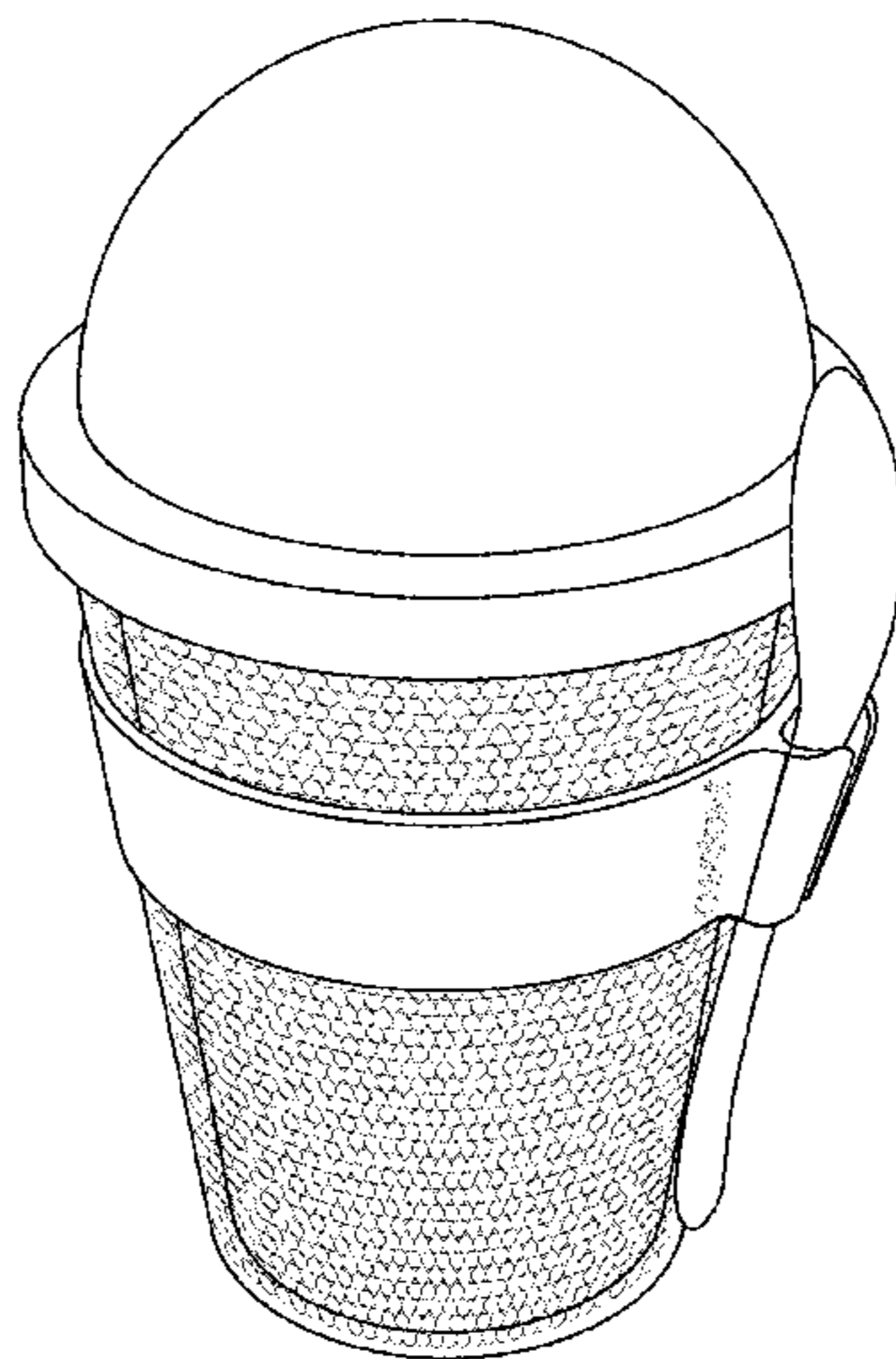
FIG. 8 is a bottom view of FIG. 1;

FIG. 9 is a perspective view of FIG. 1 with the top lid removed for clarity of illustration; and,

FIG. 10 is a top view of FIG. 9.

The broken lines shown represent unclaimed subject matter and form no part of the claimed design.

1 Claim, 6 Drawing Sheets



(56)

References Cited

U.S. PATENT DOCUMENTS

2014/0299598 A1* 10/2014 Irani B65D 51/247
220/212
2016/0280447 A1* 9/2016 Beardsell B65D 23/04

* cited by examiner

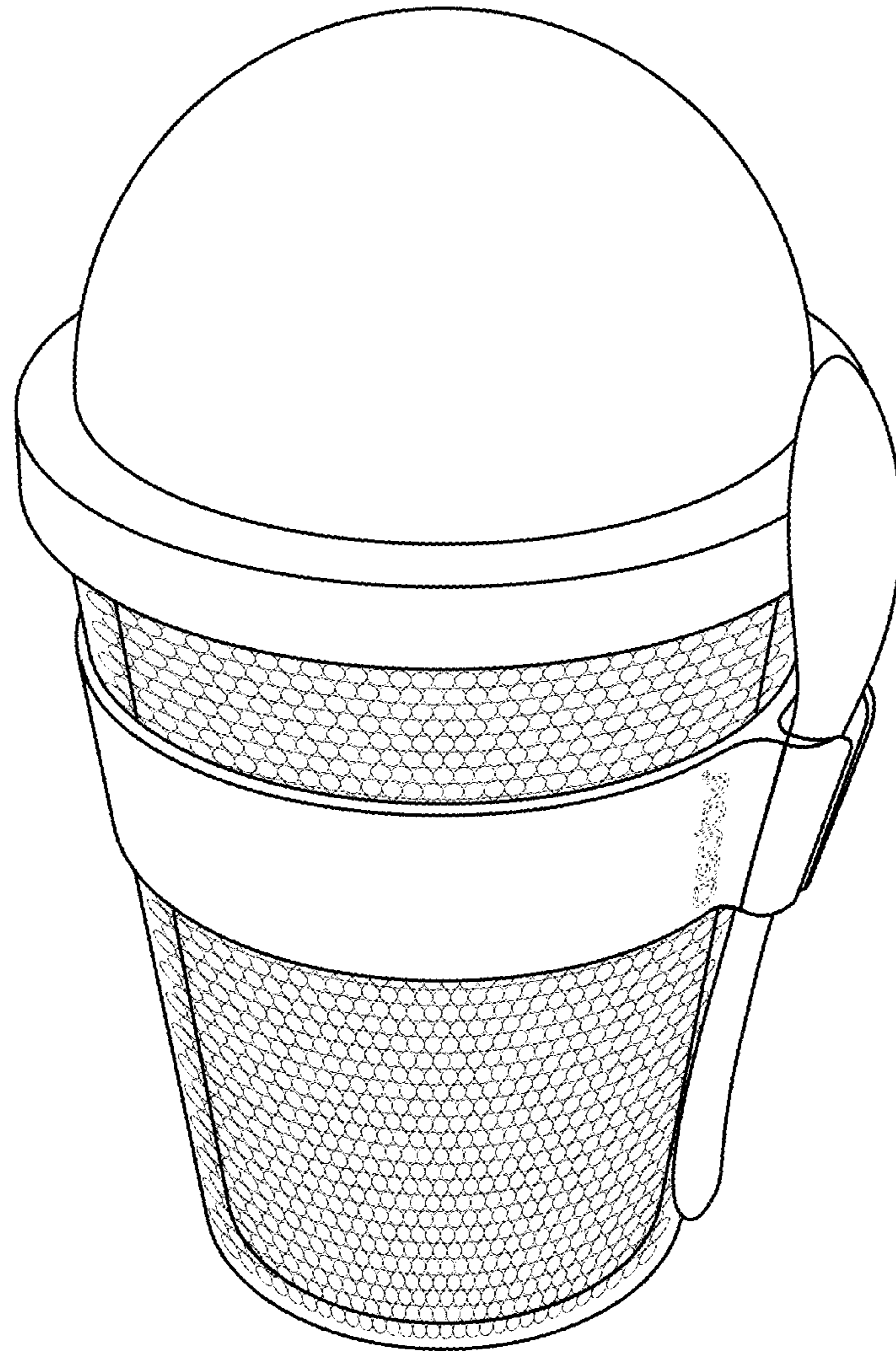


fig. 1

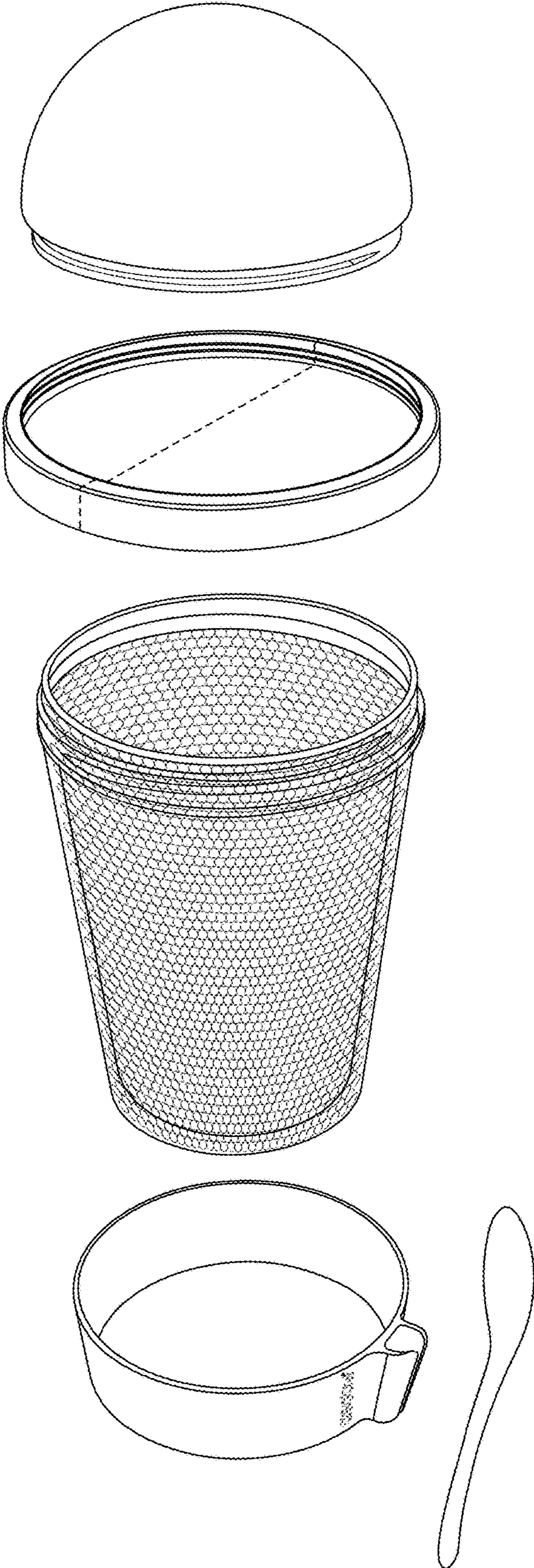


fig.2

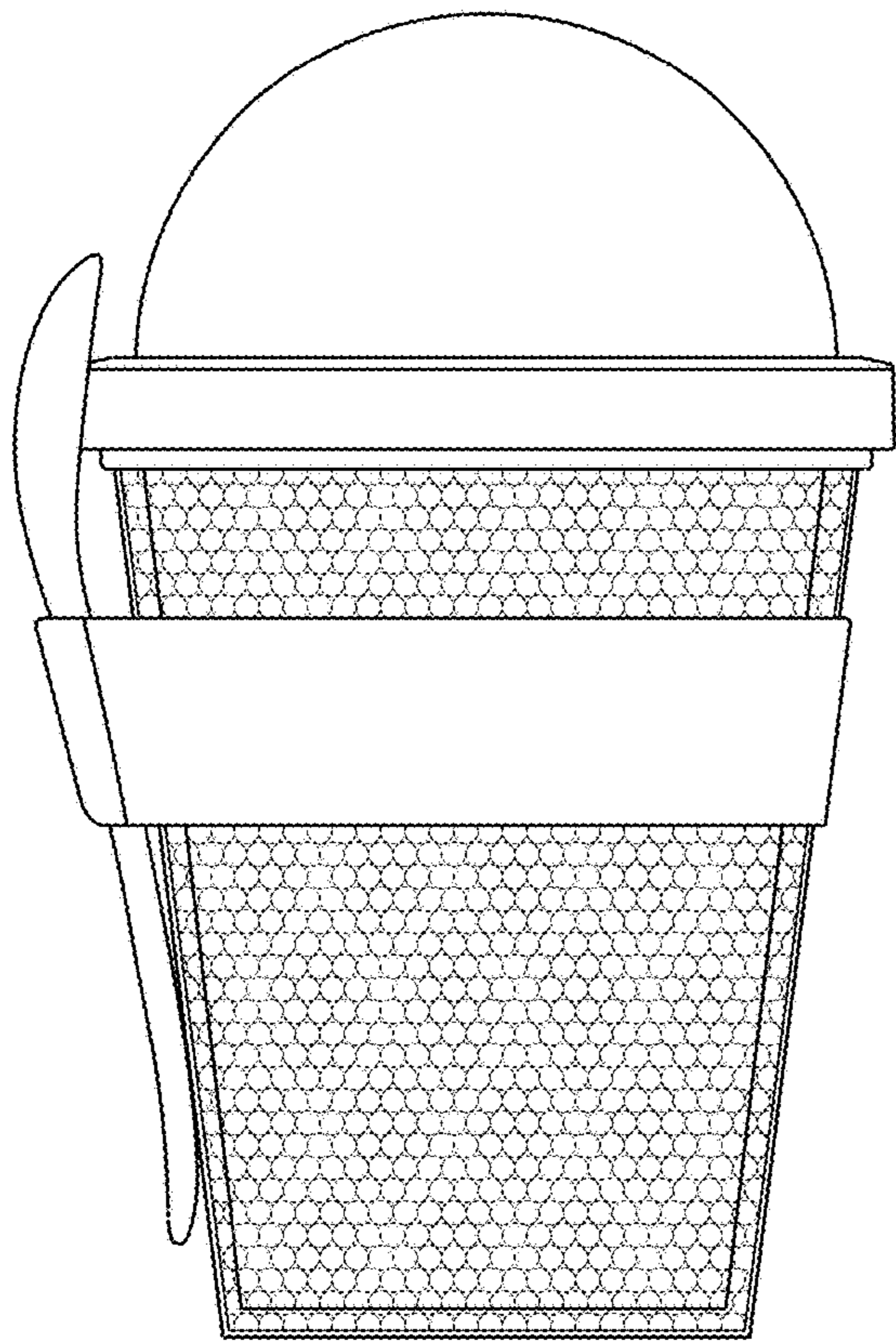


fig.3

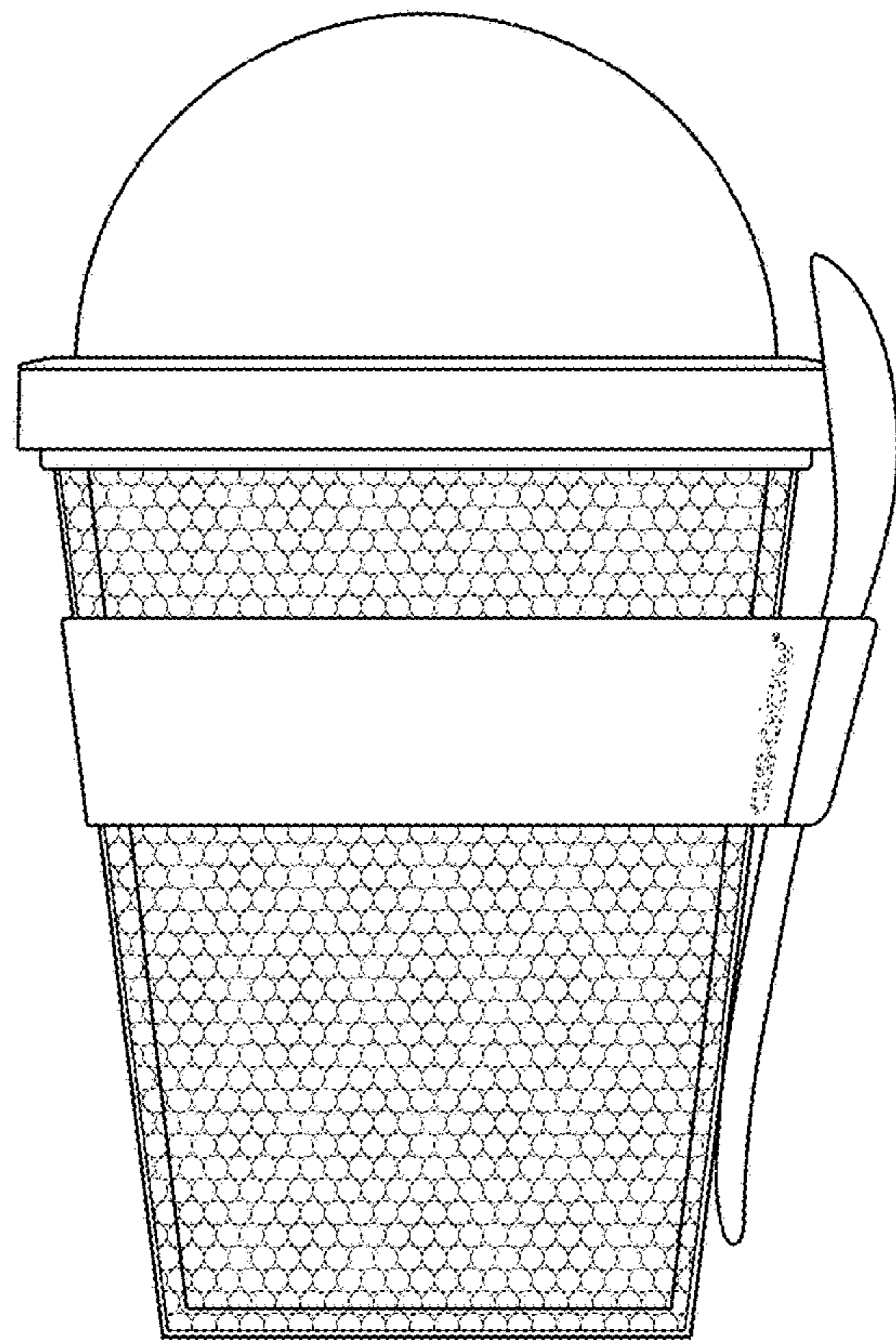


fig.4

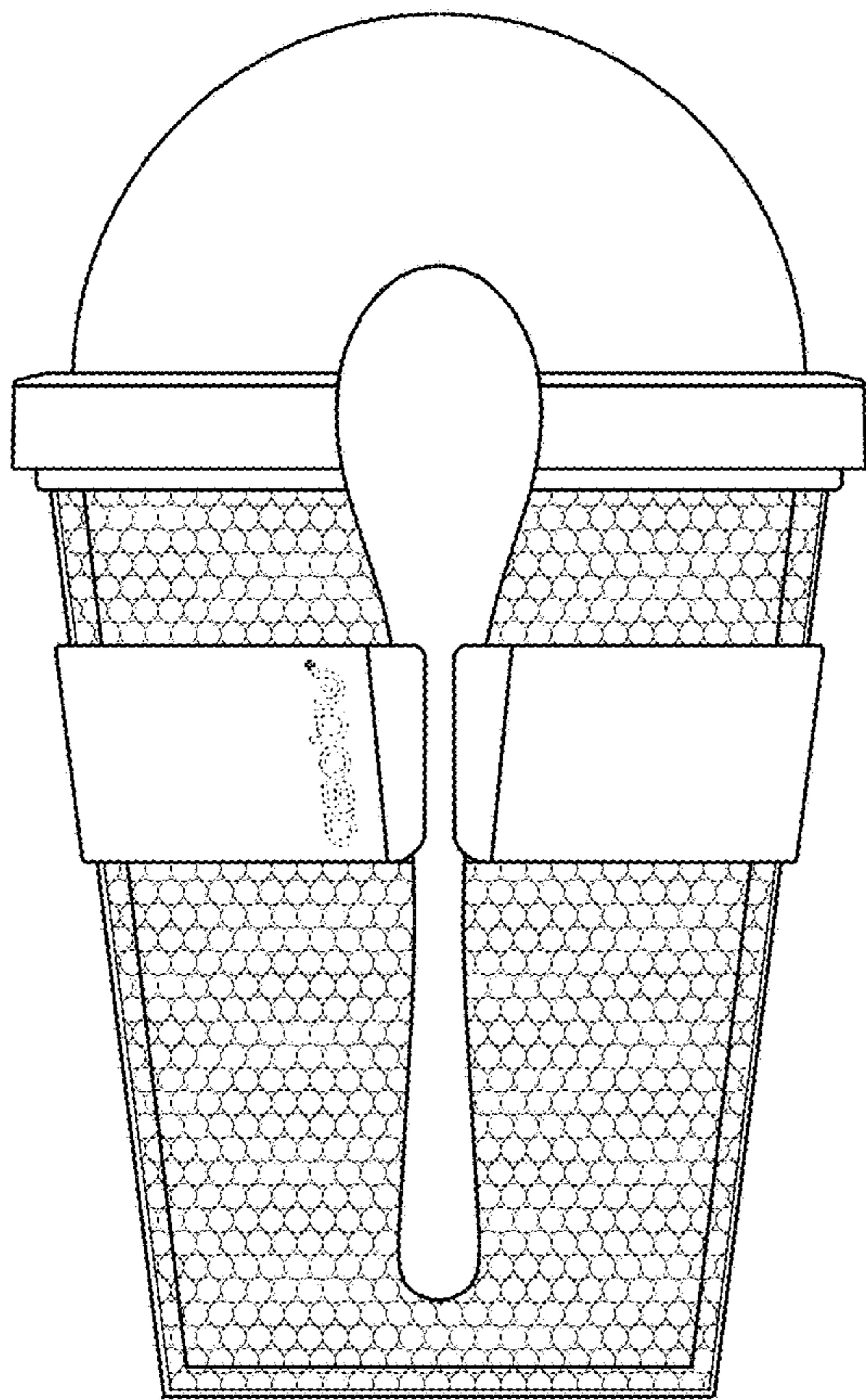


fig.5

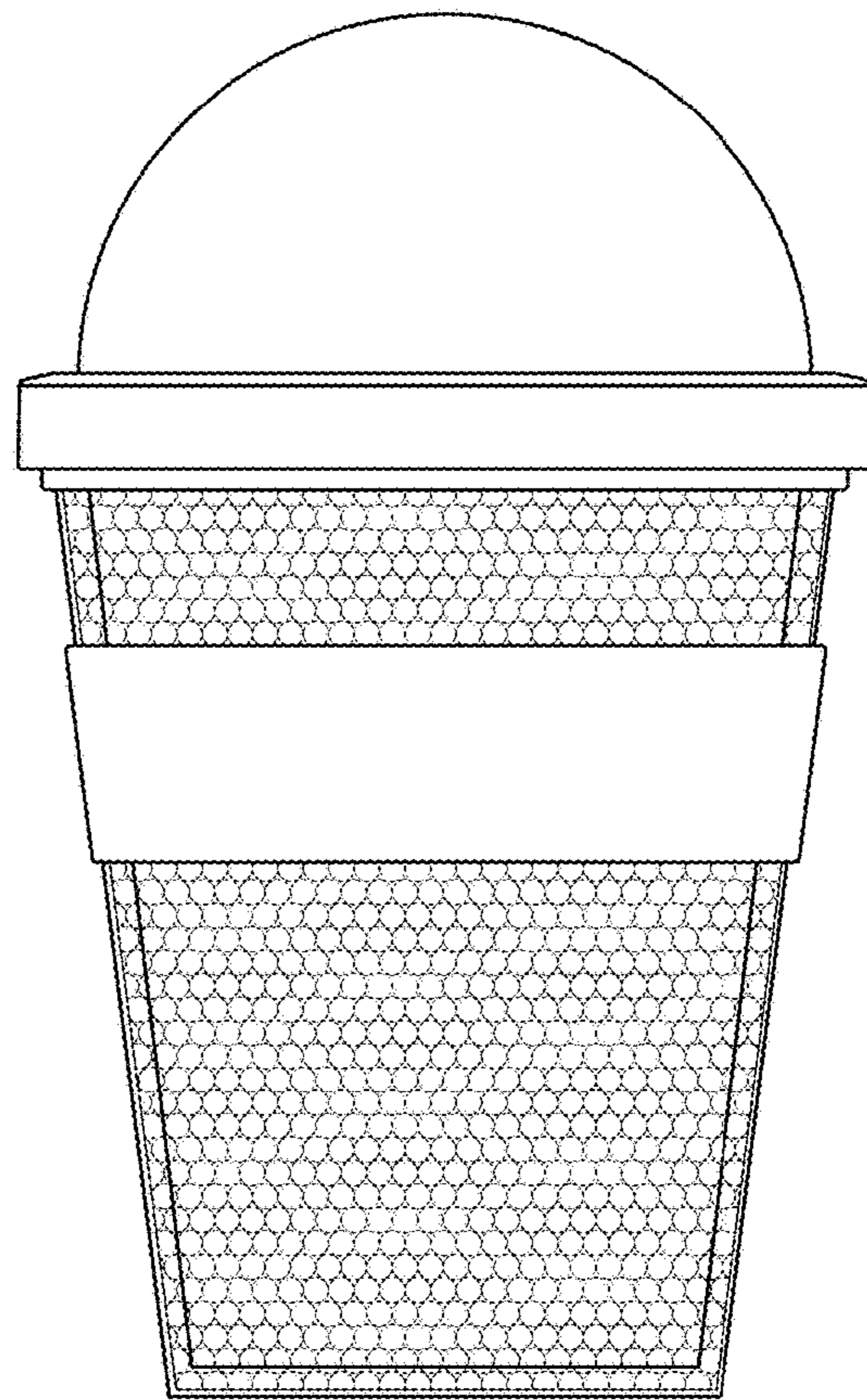


fig.6

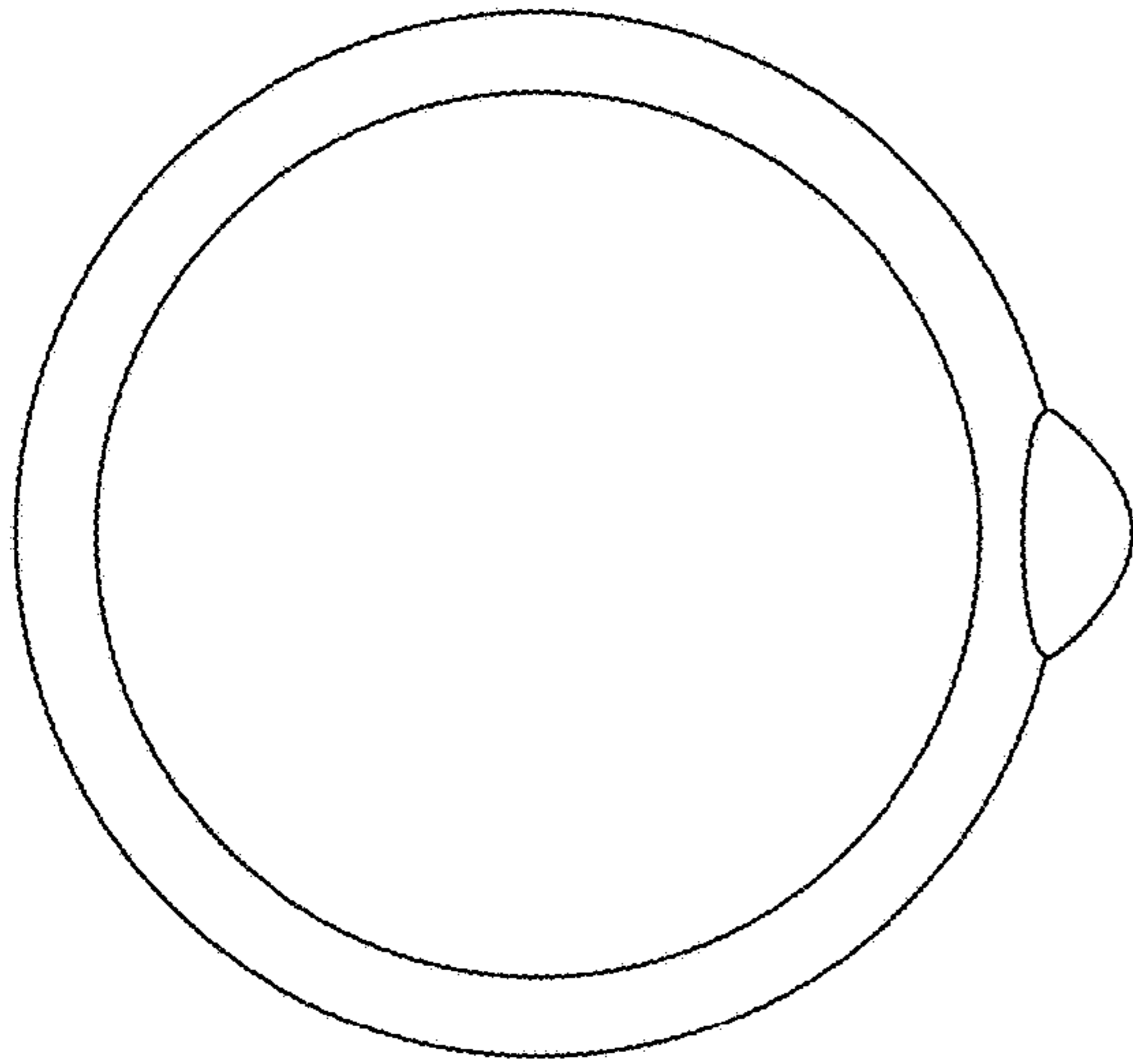


fig.7

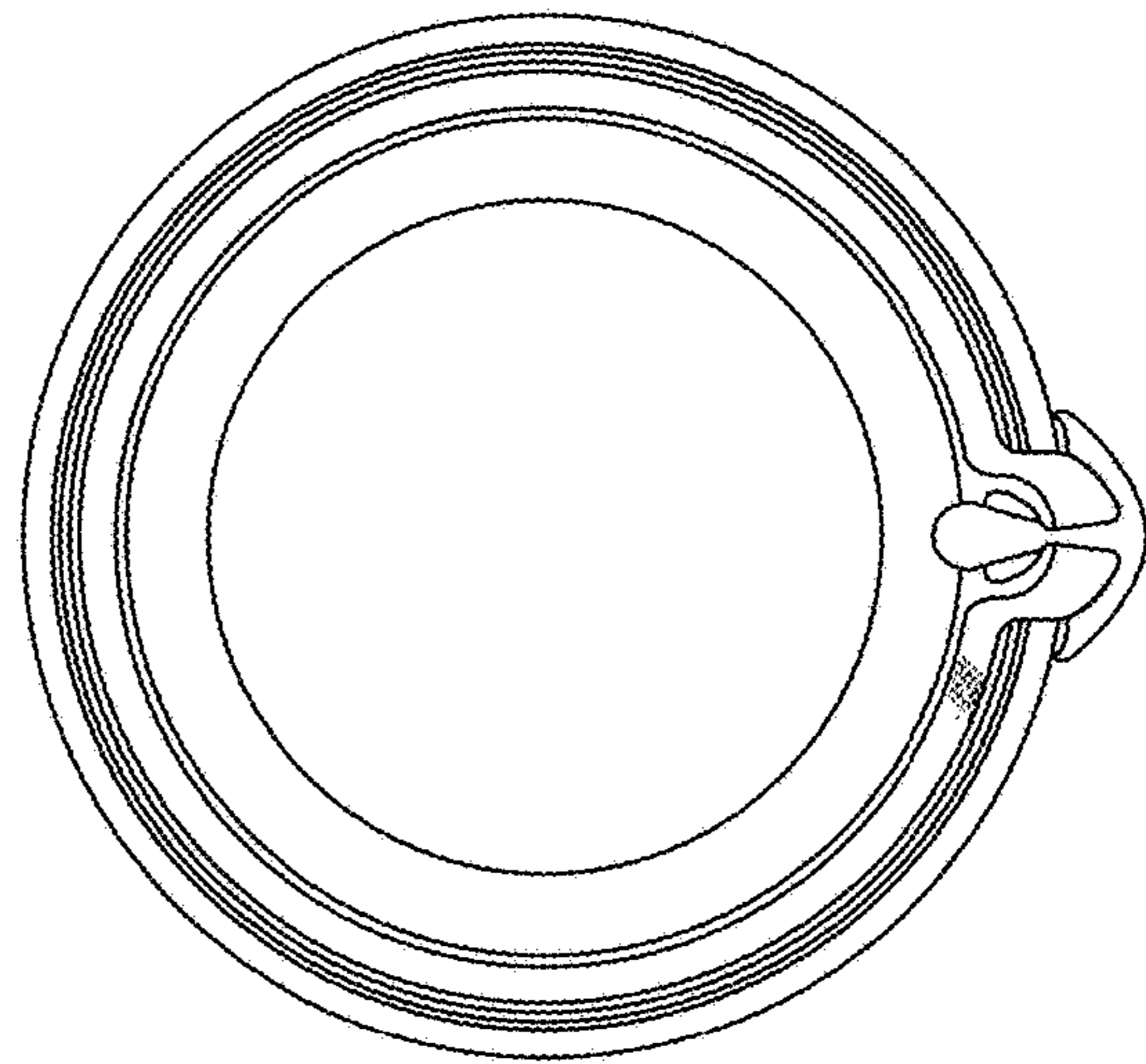


fig.8

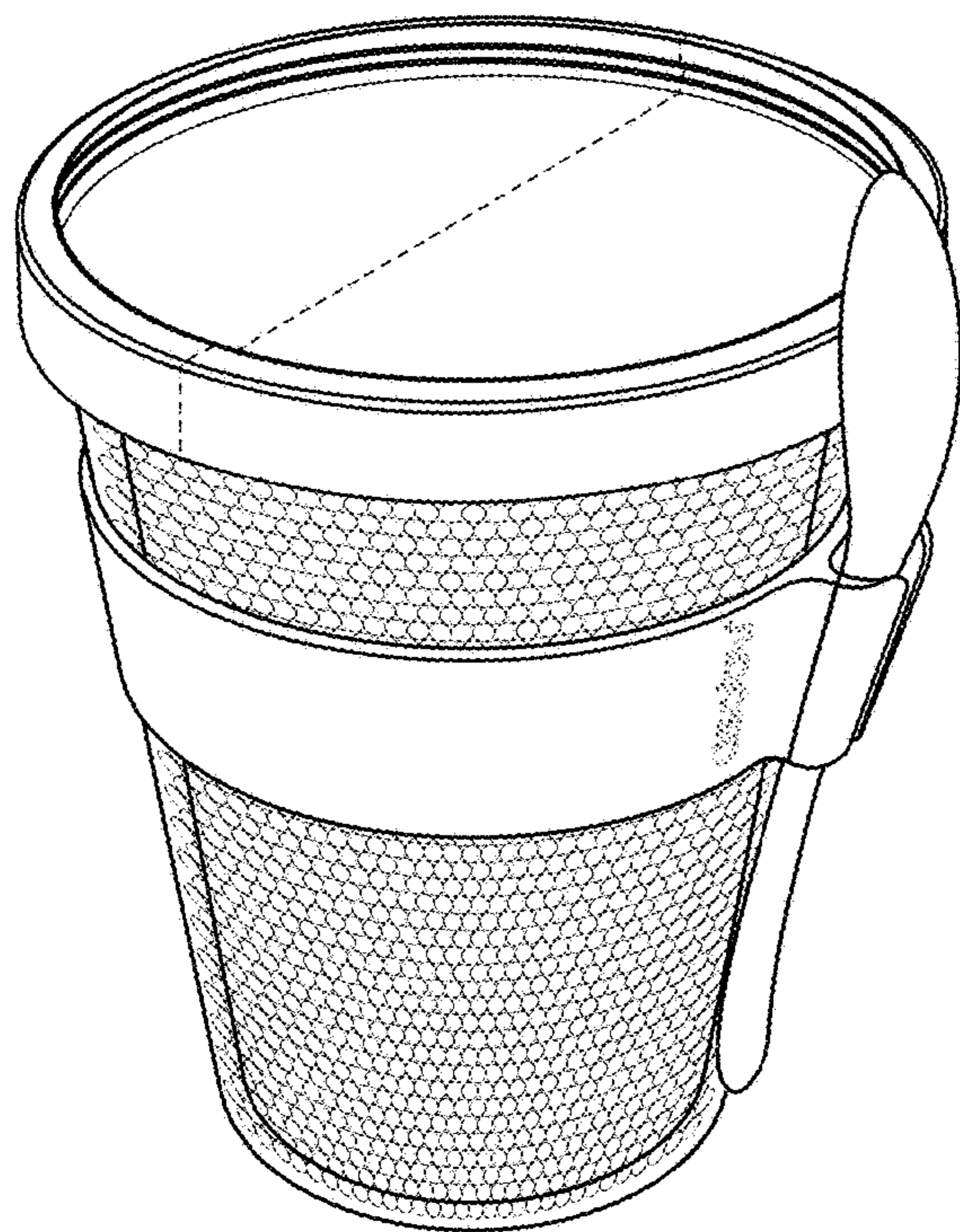


fig.9

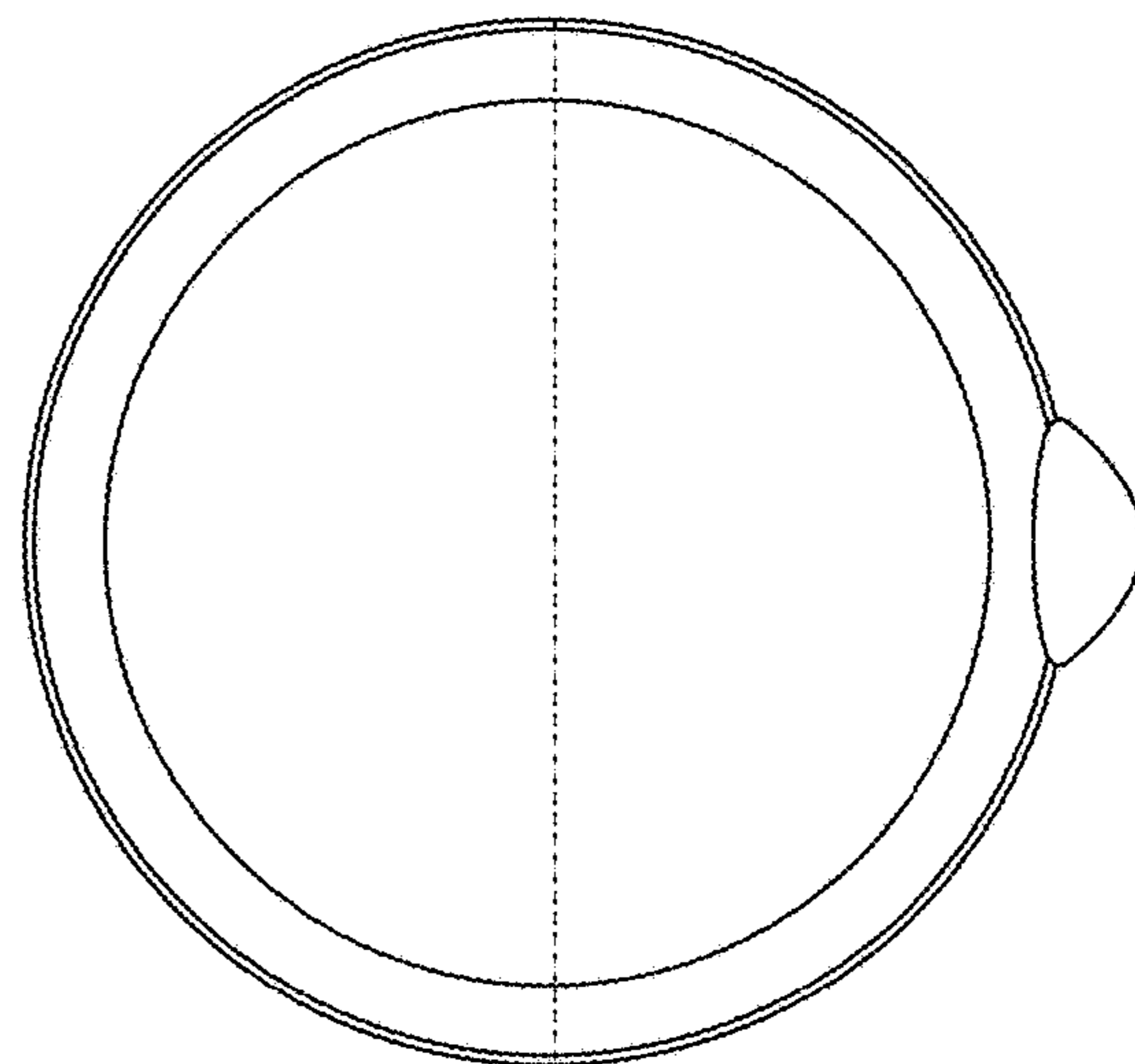


fig.10