



US00D806565S

(12) **United States Design Patent**
Fath et al.

(10) **Patent No.:** **US D806,565 S**

(45) **Date of Patent:** **** Jan. 2, 2018**

(54) **PACKAGING SLEEVE**

(71) Applicant: **Altria Client Services LLC**,
Richmond, VA (US)

(72) Inventors: **Scott A Fath**, Richmond, VA (US);
Ryan J Sousa, Mechanicsville, VA
(US); **Steven R Rinehart**, Chesterfield,
VA (US)

(73) Assignee: **Altria Client Services LLC**,
Richmond, VA (US)

(**) Term: **15 Years**

(21) Appl. No.: **29/593,664**

(22) Filed: **Feb. 10, 2017**

Related U.S. Application Data

(62) Division of application No. 29/515,679, filed on Jan. 26, 2015, now Pat. No. Des. 782,326, which is a division of application No. 29/481,522, filed on Feb. 6, 2014, now Pat. No. Des. 723,387, which is a division of application No. 29/450,161, filed on Mar. 15, 2013, now Pat. No. Des. 706,642.

(51) **LOC (11) Cl.** **09-03**

(52) **U.S. Cl.**
USPC **D9/715**; D9/711

(58) **Field of Classification Search**

USPC D9/414, 418, 424, 432, 430, 433, 435,
D9/436, 456, 702, 711, 713, 715;
D27/186, 189; 206/216, 256, 389, 395,
206/396, 398, 461-471, 581, 736, 738,
206/756, 769, 779; 229/87.01, 87.05,
229/100, 101, 103.2, 106, 107, 108,
229/108.1, 125.01, 182.1, 200
CPC B65D 75/366; B65D 2571/0066; B65D
5/4204; B65D 2571/00141; B65D 75/32;
B65D 2571/00728; B65D 5/4208; B65D
75/22; B65D 75/322; B65D 75/326;
B65D 85/00; B65D 25/22; B65D 5/2033;

B65D 5/4266; B65D 5/02; B65D 5/2047;
B65D 2543/00194; B65D 5/48014; B65D
5/5016; B65D 5/5035; B65D 75/20;
B65D 75/04; B65D 77/003; B65D 25/04;
B65D 25/20; Y10S 206/822; Y10S
206/804; Y10S 229/919

See application file for complete search history.

(56) **References Cited**

U.S. PATENT DOCUMENTS

1,844,066 A * 2/1932 Hughes B65D 5/2038
206/525
2,064,590 A * 12/1936 Cunningham B65D 5/18
206/335

2,129,447 A 9/1938 Schuler
2,217,397 A 10/1940 Armitt
D159,872 S 8/1950 Skold

(Continued)

Primary Examiner — Lauren Calve

(74) *Attorney, Agent, or Firm* — Buchanan Ingersoll &
Rooney PC

(57) **CLAIM**

The ornamental design for a packaging sleeve, as shown and described.

DESCRIPTION

FIG. 1 is a front, top perspective view of a packaging sleeve showing our new design.

FIG. 2 is a front, bottom perspective view thereof.

FIG. 3 is a front elevational view thereof.

FIG. 4 is rear elevational view thereof.

FIG. 5 is a left side elevational view thereof.

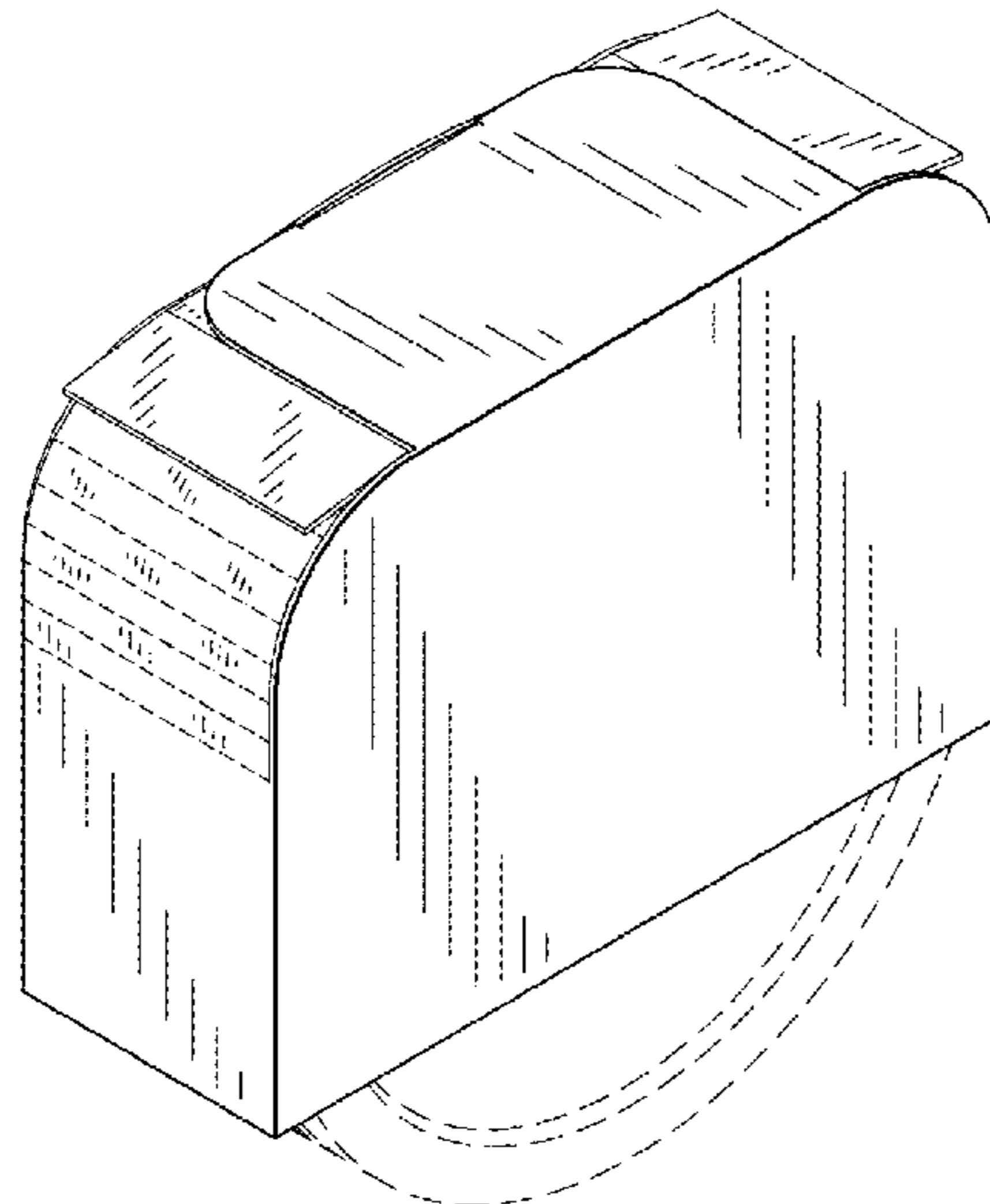
FIG. 6 is a right side elevational view thereof.

FIG. 7 is a top plan view thereof; and,

FIG. 8 is a bottom plan view thereof.

The broken lines shown represent unclaimed subject matter and form no part of the claimed design.

1 Claim, 4 Drawing Sheets



(56)

References Cited

U.S. PATENT DOCUMENTS

2,610,781 A *	9/1952	Metzger	B65D 5/029	5,344,008 A	9/1994	DeBlasio et al.	
			229/107	D360,528 S	7/1995	Caligiuri	
3,013,653 A *	12/1961	Hedin	B65D 85/672	5,642,866 A *	7/1997	Nieding	B65D 75/02
			242/588.4				206/395
3,014,578 A *	12/1961	Tolaas	B65D 85/672	5,860,587 A	1/1999	Young	
			242/588.4	D455,958 S	4/2002	Burrus	
3,334,732 A	8/1967	Haffey et al.		D503,337 S *	3/2005	Selby	D9/433
3,391,782 A *	7/1968	Kaspar	A47G 21/001	D509,147 S	9/2005	Selby	
			206/525	D591,902 S	5/2009	Bray et al.	
3,469,680 A *	9/1969	Walz	B65D 77/22	D603,090 S	10/2009	Bray et al.	
			116/200	D607,317 S *	1/2010	Collins	D9/423
3,638,851 A *	2/1972	Offer	B65D 5/5011	D607,319 S	1/2010	Collins	
			206/446	D621,282 S	8/2010	Yagi	
3,765,529 A	10/1973	Mueller		D664,043 S	7/2012	Hofmann et al.	
3,912,074 A *	10/1975	Vargo	B65D 65/24	8,225,985 B2	7/2012	Oliveira	
			206/303	D693,675 S *	11/2013	Staller	D9/430
D277,262 S *	1/1985	Jones	D9/418	D694,623 S	12/2013	Bellamah	
D295,958 S	5/1988	Pugh		D706,642 S	6/2014	Fath et al.	
4,844,373 A	7/1989	Fike, Sr.		8,915,365 B2	12/2014	Fath	
D302,948 S	8/1989	Blum et al.		D723,387 S	3/2015	Fath	
5,022,577 A	6/1991	Fike		9,061,814 B2 *	6/2015	Copp	B65D 85/04
D319,179 S	8/1991	Holder		D751,417 S	3/2016	Fan	
D336,071 S	6/1993	Ottosen		D751,418 S	3/2016	Fan	
				D782,326 S *	3/2017	Fath	D9/711
				2003/0183542 A1	10/2003	Bordon	
				2007/0199980 A1	8/2007	Oliveira	

* cited by examiner

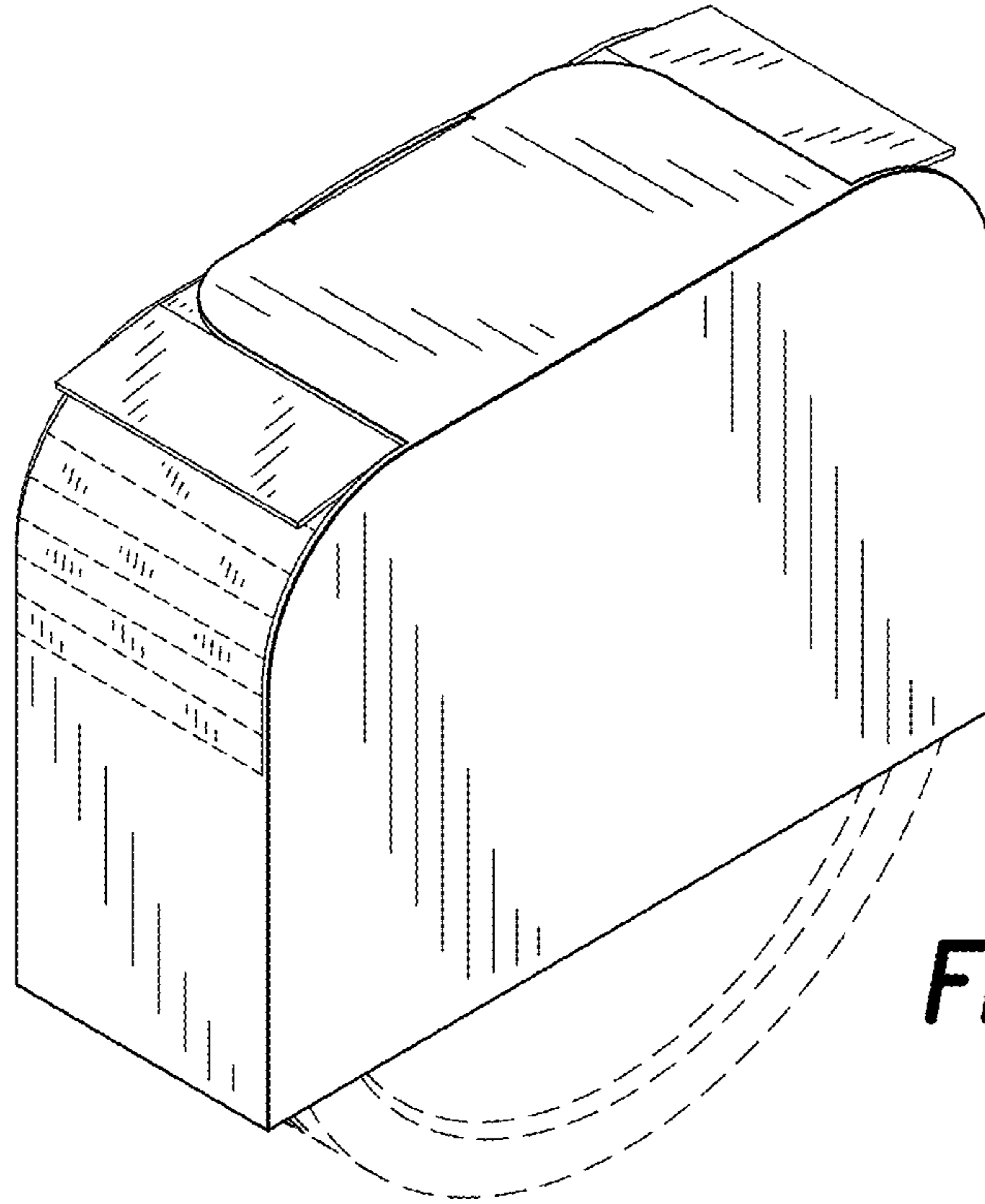


FIG. 1

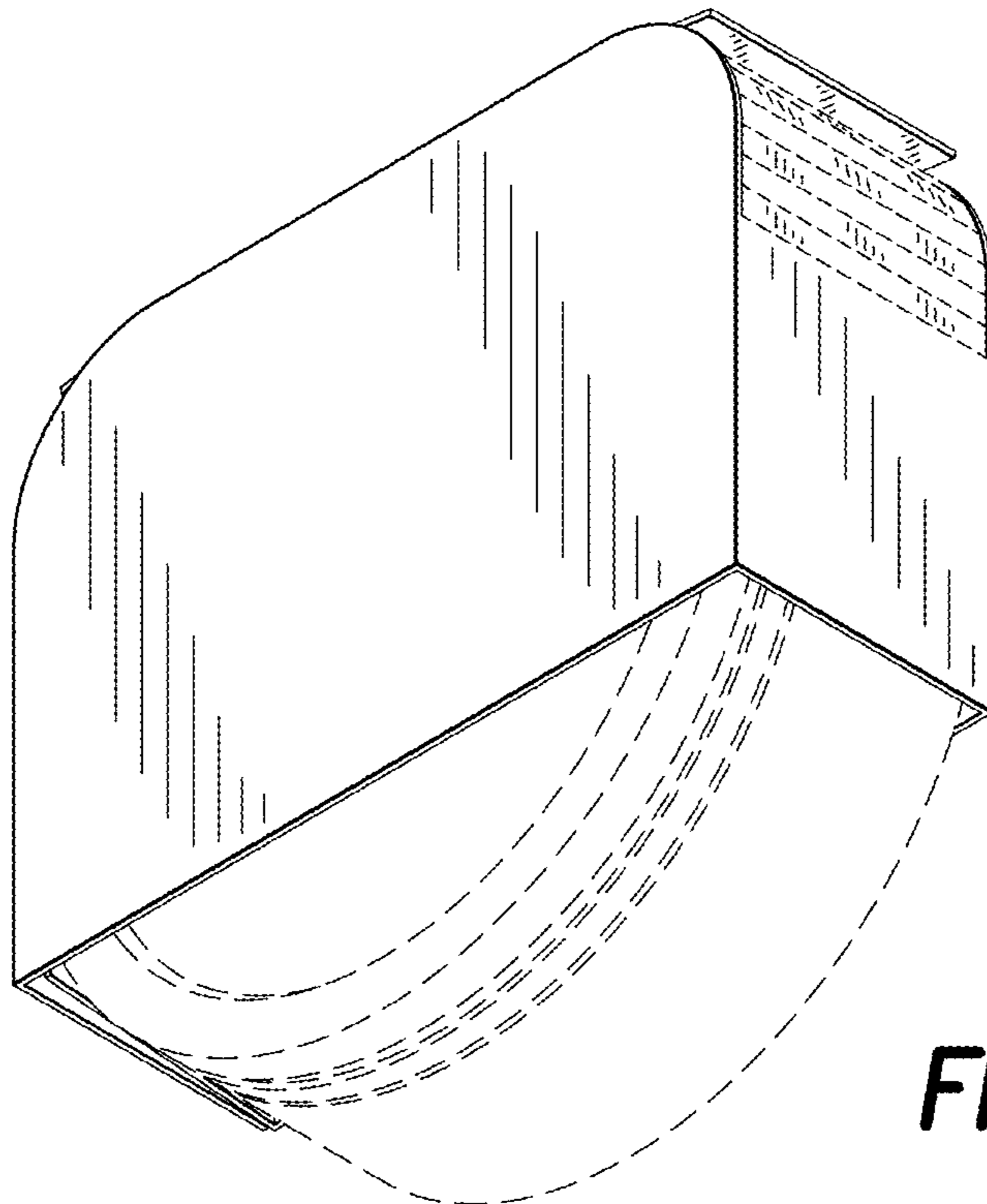


FIG. 2

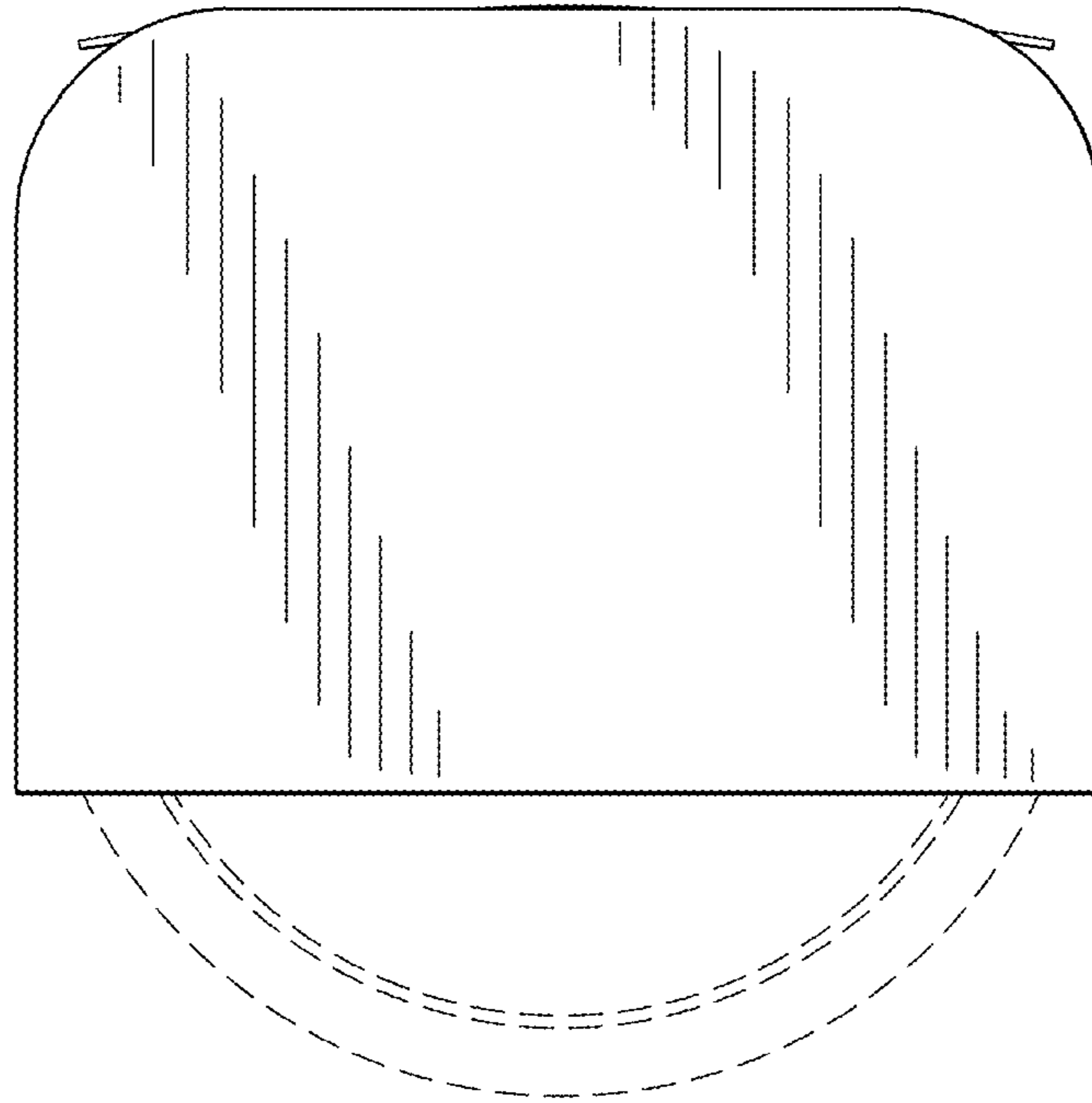


FIG. 3

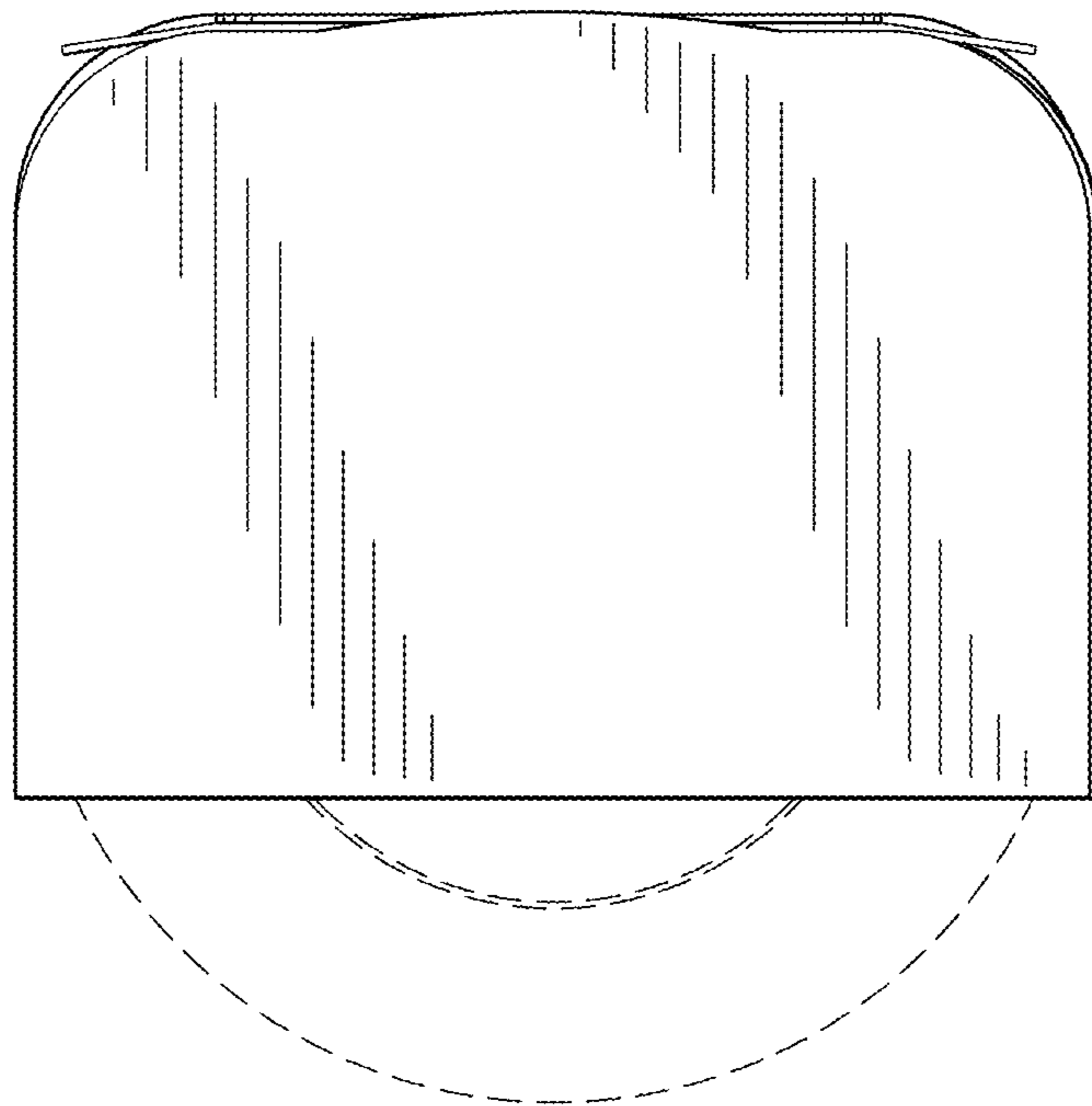


FIG. 4

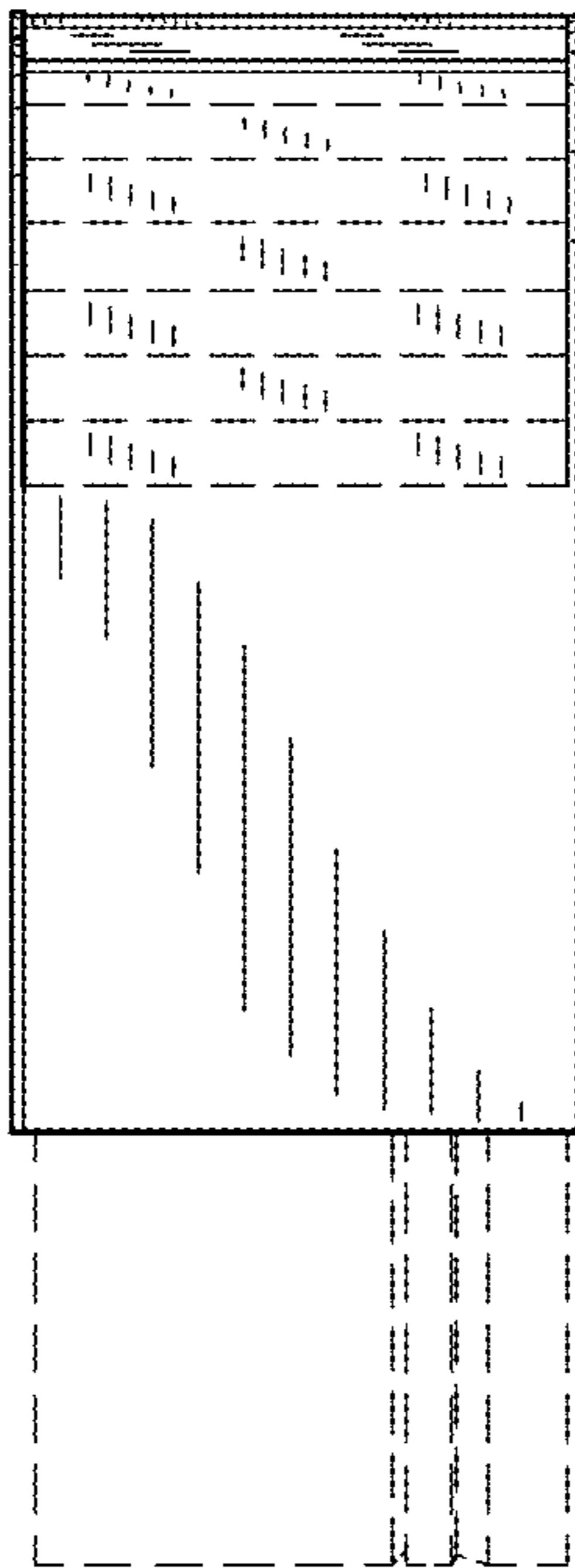


FIG. 5

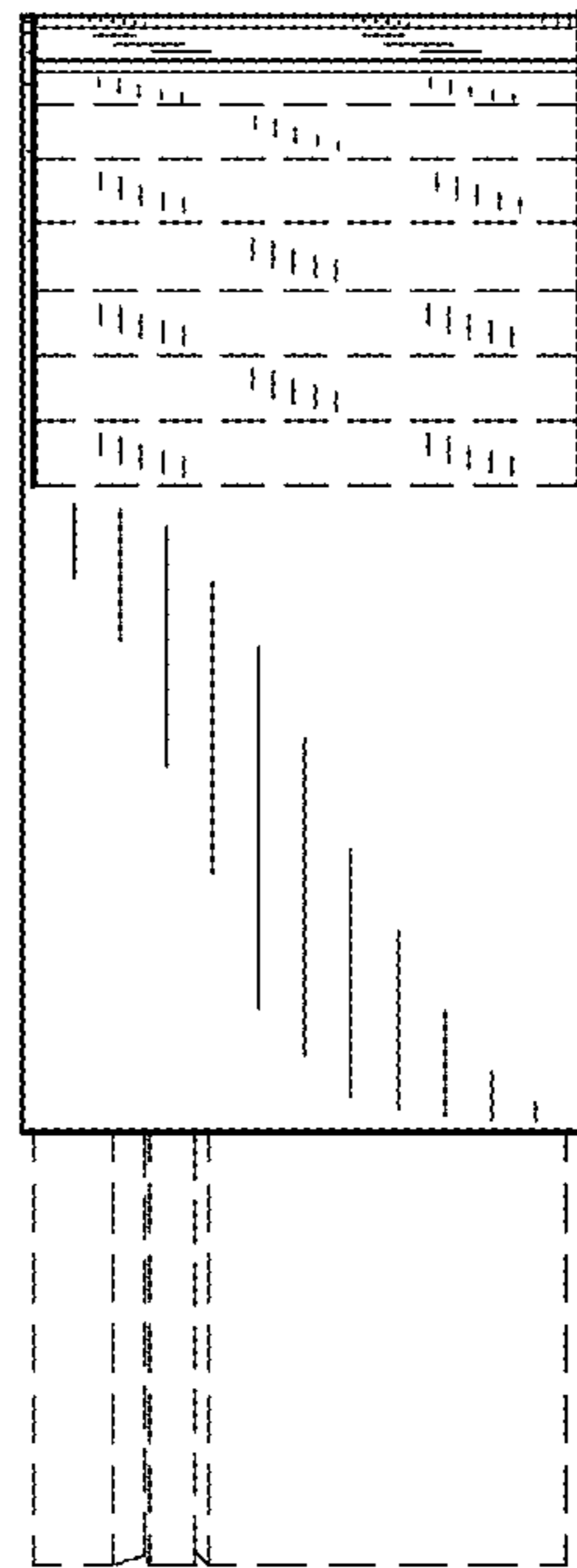


FIG. 6

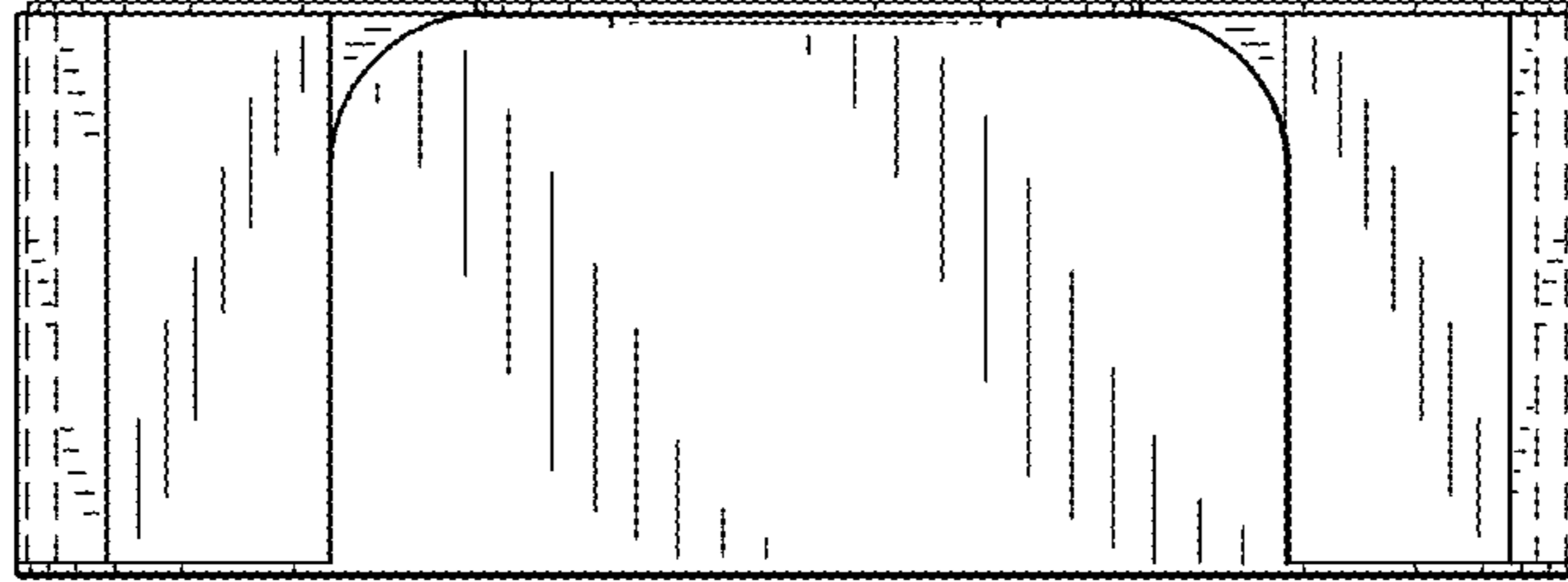


FIG. 7

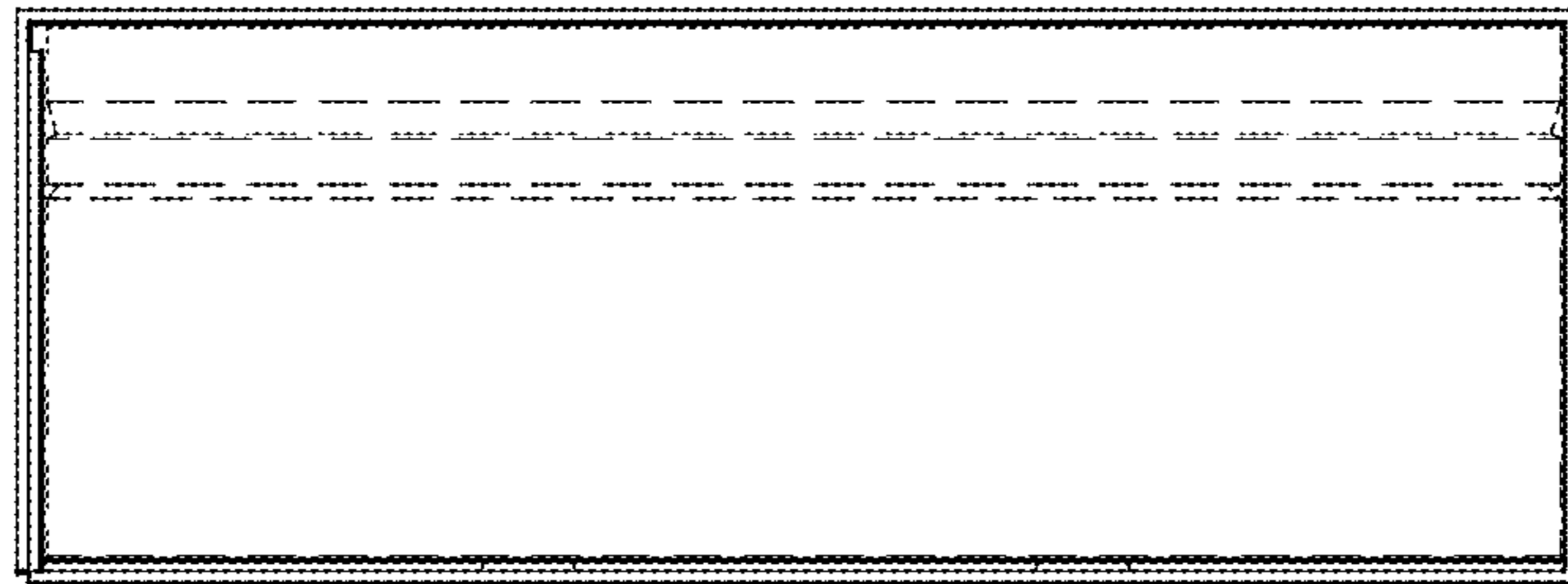


FIG. 8