



US00D806563S

(12) **United States Design Patent**
Lien

(10) **Patent No.:** **US D806,563 S**
(45) **Date of Patent:** **** Jan. 2, 2018**

- (54) **RETRIEVAL SNARE COIL SLEEVE**
- (71) Applicant: **Avent, Inc.**, Alpharetta, GA (US)
- (72) Inventor: **Khoa Tuan Lien**, Alpharetta, GA (US)
- (73) Assignee: **Avent, Inc.**, Alpharetta, GA (US)
- (**) Term: **15 Years**
- (21) Appl. No.: **29/586,167**
- (22) Filed: **Dec. 1, 2016**

Related U.S. Application Data

- (62) Division of application No. 29/533,501, filed on Jul. 17, 2015, now Pat. No. Des. 775,967.
- (51) **LOC (11) Cl.** **09-05**
- (52) **U.S. Cl.**
USPC **D9/711; D24/133; D8/356**
- (58) **Field of Classification Search**
USPC D9/711, 702, 501, 502, 429, 426, 418;
D24/133, 143, 146, 147, 231; D8/19,
D8/356, 358, 360.1; D21/453; D25/138,
D25/391; D19/3; D3/201, 300, 302
CPC H04R 1/1033; Y10T 24/3916
See application file for complete search history.

(56) **References Cited**

U.S. PATENT DOCUMENTS

- D337,718 S 7/1993 Donaldson
- D442,066 S 5/2001 Stekelenburg
- D464,875 S 10/2002 Koppang
- D509,728 S 9/2005 Kato
- D618,558 S 6/2010 Taskinen et al.
- D620,149 S 7/2010 Rhee

- D664,833 S 8/2012 Warner
- D743,810 S 11/2015 El-Afandi et al.
- D745,278 S * 12/2015 Gluck D3/300
- D786,670 S * 5/2017 Lin D9/432

OTHER PUBLICATIONS

Storage Media, Japanese RGN D1193278, INVA Nobuhiro Kawabata, RGD Nov. 7, 2003.*

* cited by examiner

Primary Examiner — Richelle G Shelton

(74) *Attorney, Agent, or Firm* — Dority & Manning, P.A.

(57) **CLAIM**

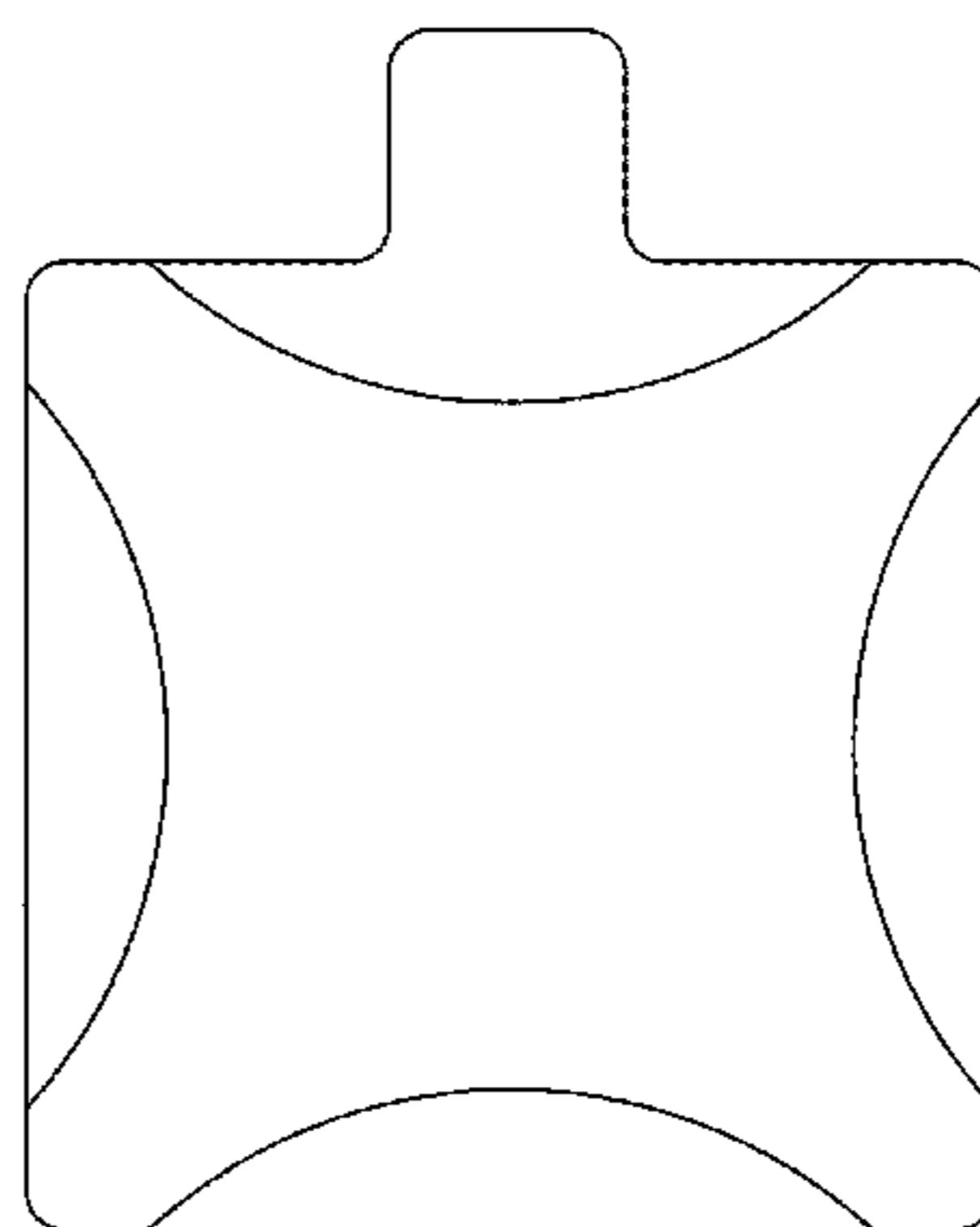
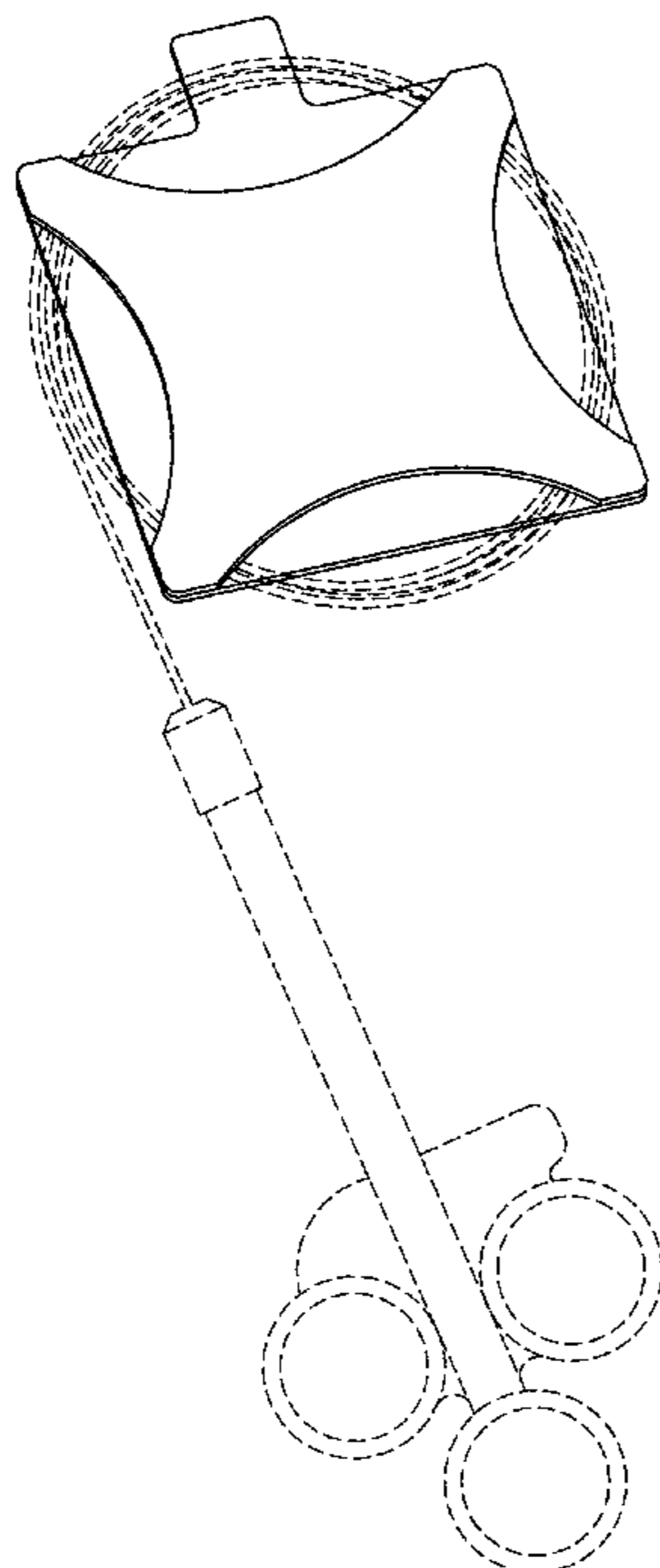
The ornamental design for a retrieval snare coil sleeve, as shown and described.

DESCRIPTION

FIG. 1 is a perspective view of a retrieval snare coil sleeve according to the present design, particularly illustrating a coil configured within the sleeve and connected to a snare; FIG. 2 is a front view thereof, shown separately from environmental disclosure for clarity of illustration; FIG. 3 is a back view of the retrieval snare coil sleeve of FIG. 1; FIG. 4 is a top view of the retrieval snare coil sleeve of FIG. 1; FIG. 5 is a bottom view of the retrieval snare coil sleeve of FIG. 1; FIG. 6 is a side view of the retrieval snare coil sleeve of FIG. 1; and, FIG. 7 is another side view of the retrieval snare coil sleeve of FIG. 1.

The claimed design comprises the elements shown in solid lines, the elements shown in dotted lines forming no part of the claimed design.

1 Claim, 4 Drawing Sheets



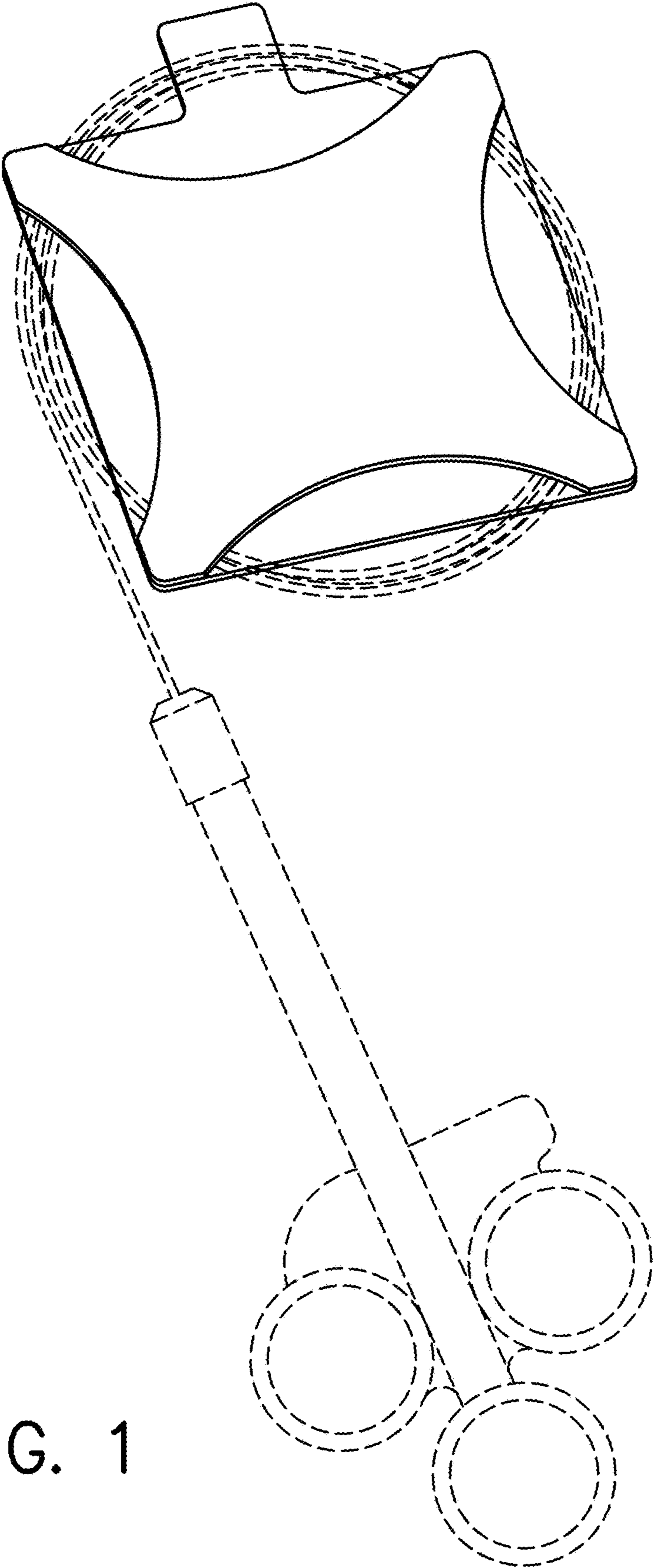


FIG. 1

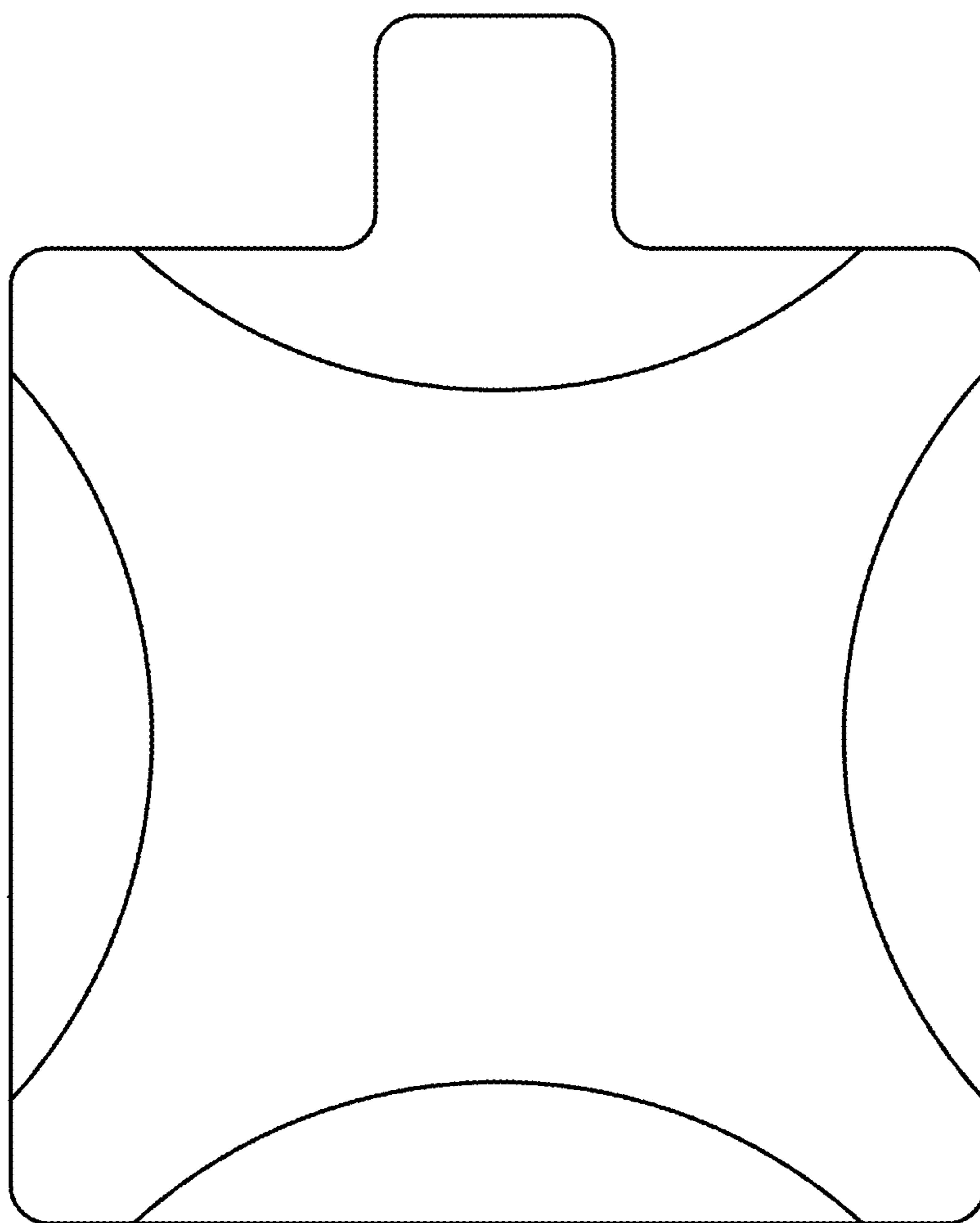


FIG. 2

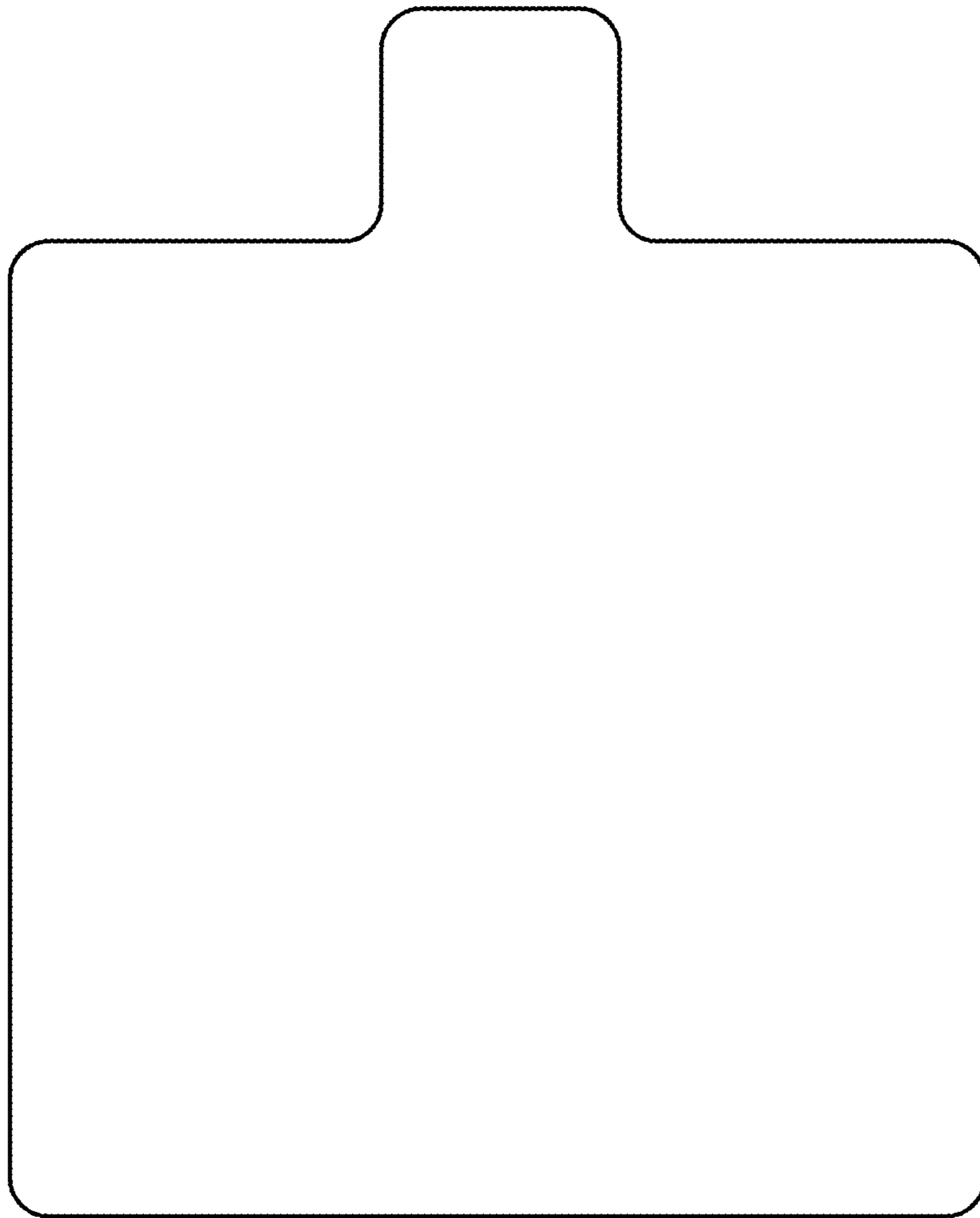


FIG. 3

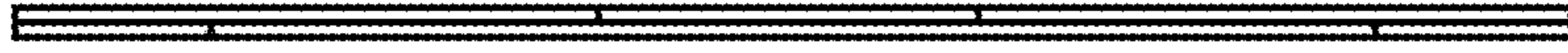


FIG. 4

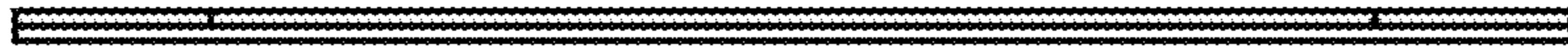


FIG. 5



FIG. 6



FIG. 7