



US00D806557S

(12) **United States Design Patent**
Albano et al.

(10) **Patent No.:** **US D806,557 S**
(45) **Date of Patent:** **** Jan. 2, 2018**

(54) **FLASK WITH CAP**

83/386; B65D 83/44; B65D 83/56; B65D
83/68; B65D 83/682; B65D 83/7532;
A45D 34/00;

(71) Applicant: **Natura Cosméticos S.A.**, Itapeperica da
Serra (BR)

(Continued)

(72) Inventors: **Fulvio Gargano Albano**, Cajamar
(BR); **Tomás Miller De Macedo**, São
Paulo (BR); **Fernanda Saboia Salles**,
São Paulo (BR); **Juliana Ahualli Pires
Morgado**, Cajamar (BR)

(56)

References Cited

U.S. PATENT DOCUMENTS

D138,200 S * 7/1944 Bran D9/500
3,161,330 A * 12/1964 Sagarin B65D 83/205
222/402.2

(Continued)

(73) Assignee: **NATURA COSMÉTICOS S.A.**, São
Paulo-SP (BR)

FOREIGN PATENT DOCUMENTS

(**) Term: **15 Years**

EM 000414529-0002 * 11/2005

(21) Appl. No.: **29/572,357**

Primary Examiner — Catherine A Tuttle

(22) Filed: **Jul. 27, 2016**

(74) *Attorney, Agent, or Firm* — B. Aaron Schulman,
Esq.; Stites & Harbison, PLLC

Related U.S. Application Data

(62) Division of application No. 29/529,313, filed on Jun.
5, 2015.

(51) **LOC (11) Cl.** **09-01**

(52) **U.S. Cl.**
USPC **D9/689**

(58) **Field of Classification Search**

USPC D9/682–694, 500–505, 715, 719, 526,
D9/529, 545, 549–558, 562, 435, 436,
D9/447–450, 454; D28/76, 77, 88, 89,
D28/91, 91.1

CPC B05B 11/0027; B05B 11/0029; B05B
11/0032; B05B 11/0035; B05B 11/0037;
B05B 11/0048; B05B 11/0054; B05B
11/30; B05B 11/3001; B05B 11/3008;
B05B 11/3021; B05B 11/3023; B05B
11/3025; B05B 11/3047; B05B 11/3049;
B05B 11/3052; B05B 11/3053; B05B
11/3059; B05B 11/306; B05B 11/3074;
B05B 11/3083; B05B 11/3084; B05B
11/3097; B65D 83/205; B65D 83/206;
B65D 83/22; B65D 83/303; B65D

(57)

CLAIM

The ornamental design for a flask with cap, as shown and
described.

DESCRIPTION

FIG. 1 is a perspective view taken from the top, front, and
left side of the flask with cap showing our new design.

FIG. 2 is a front elevation view of the flask with cap of FIG.
1.

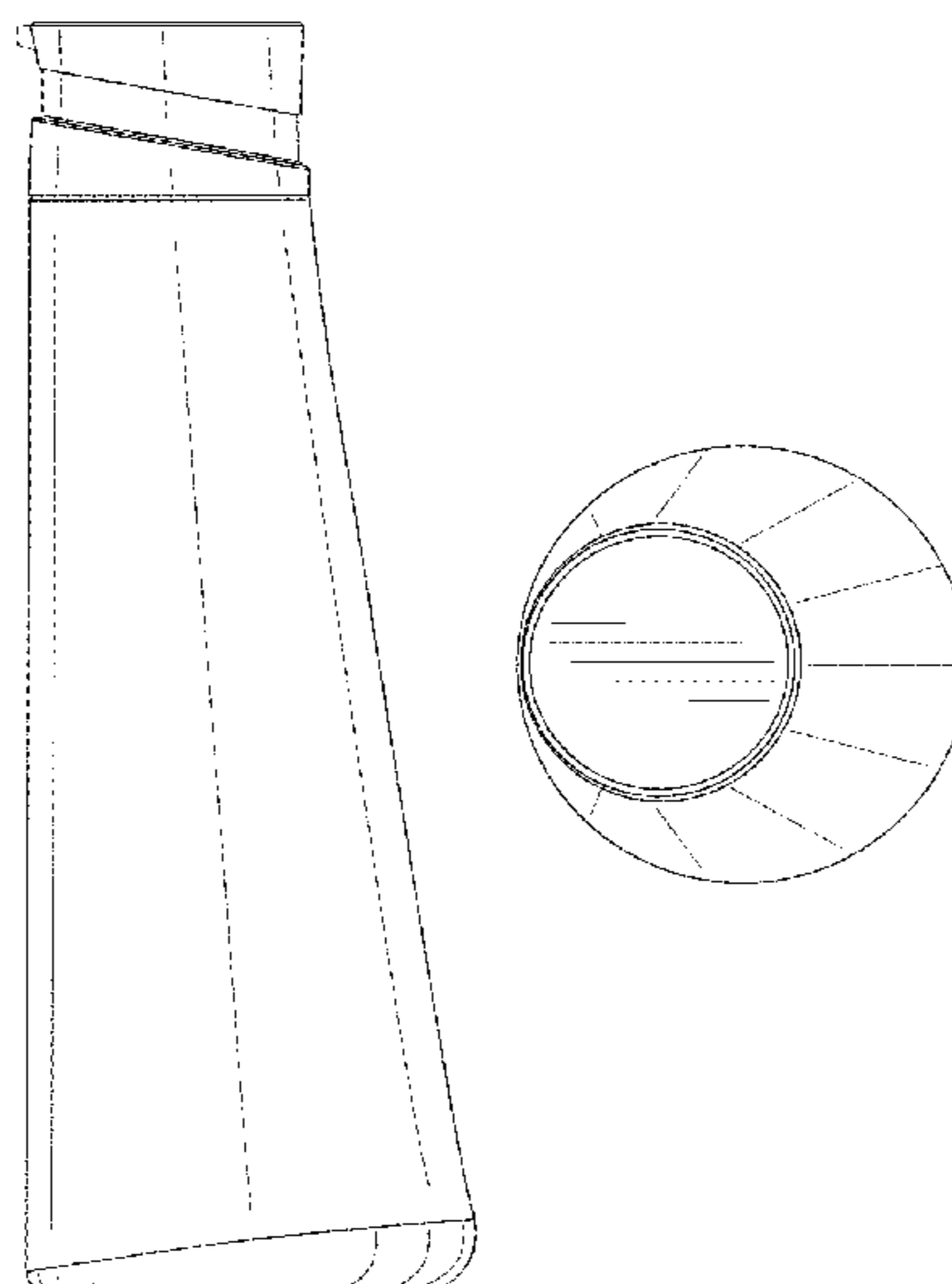
FIG. 3 is a right side elevation view of the flask with cap of
FIG. 1, the opposite side being a mirror image thereof.

FIG. 4 is a top plan view of the flask with cap of FIG. 1; and,
FIG. 5 is a bottom plan view of the flask with cap of FIG.
1.

The broken lines in FIGS. 1, 3 & 5 are included for the
purpose of illustrating the portions of the flask with cap that
form no part of the claimed design.

The unshaded areas immediately adjacent the broken lines
likewise form no part of the claim.

1 Claim, 4 Drawing Sheets



(58) **Field of Classification Search**

CPC . A45D 34/02; A45D 34/04; A45D 2034/005;
 A45D 2034/007; A45D 2200/05; A45D
 2200/051; A45D 2200/054; A45D
 2200/055; A45D 2200/056; A45D
 2200/057; A45D 40/0068; A45D 40/0075;
 A45D 40/00; A45D 40/02; A45D 40/04;
 A45D 40/06; A45D 40/205; A45D 40/24;
 A45D 40/26; A45D 40/264; A45D
 40/265; A45D 40/267

See application file for complete search history.

(56) **References Cited**

U.S. PATENT DOCUMENTS

3,494,510 A * 2/1970 Rahn B65D 83/205
 222/153.07
 D334,705 S * 4/1993 Pereira D9/529
 5,363,992 A * 11/1994 Meshberg B05B 1/1645
 222/153.13

5,477,985 A * 12/1995 Gueret B05B 11/0024
 222/107
 D419,719 S * 1/2000 Garcia D28/7
 D463,735 S * 10/2002 Gobe D9/689
 D463,973 S * 10/2002 Gobe D9/689
 D493,364 S * 7/2004 Papiernik D9/687
 D546,188 S * 7/2007 Penfold D9/529
 D609,099 S * 2/2010 Oates D9/522
 D611,825 S * 3/2010 Usui D9/529
 D611,836 S * 3/2010 Mansau D9/522
 D654,806 S * 2/2012 Lorenz D9/687
 D675,105 S * 1/2013 Chen D9/688
 D710,211 S * 8/2014 Behar D9/688
 D716,666 S * 11/2014 Park D9/690
 D723,374 S * 3/2015 Rashid D9/435
 2008/0000869 A1 * 1/2008 McGuinness A45D 33/18
 215/317
 2010/0044394 A1 * 2/2010 Milian B05B 11/3007
 222/135
 2011/0289890 A1 * 12/2011 Floyd B65D 83/22
 53/492

* cited by examiner

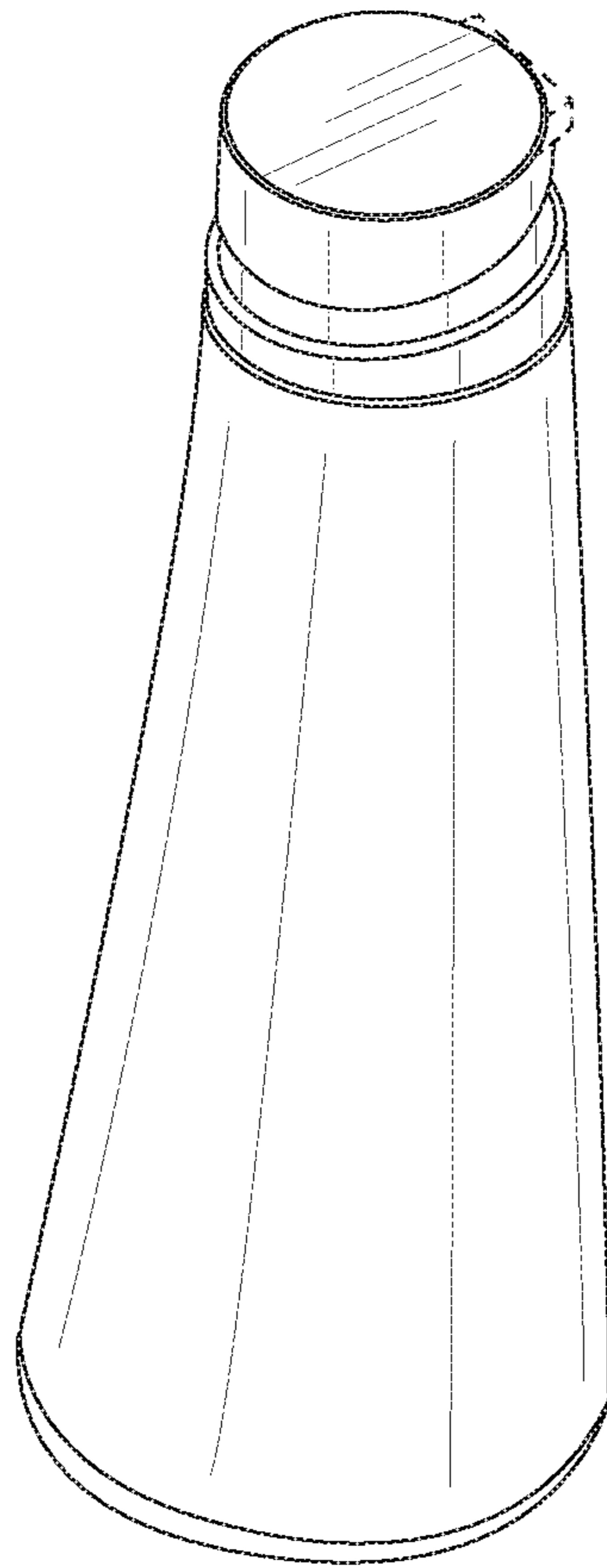


FIG. 1

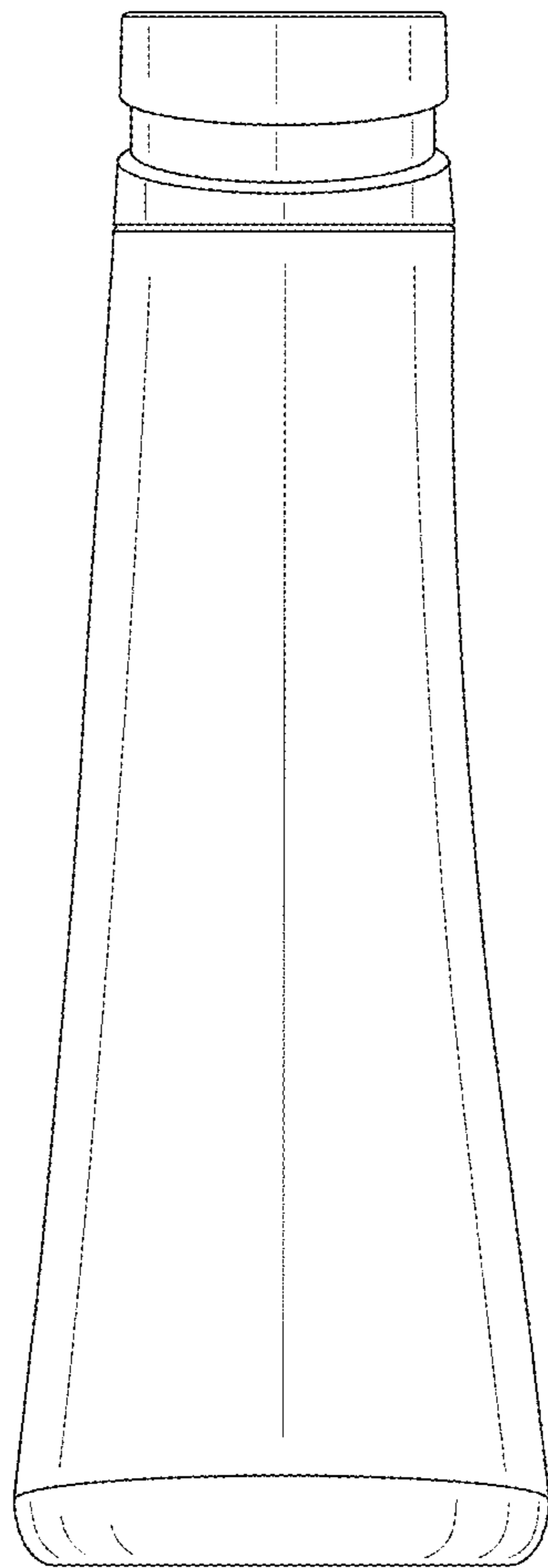


FIG. 2

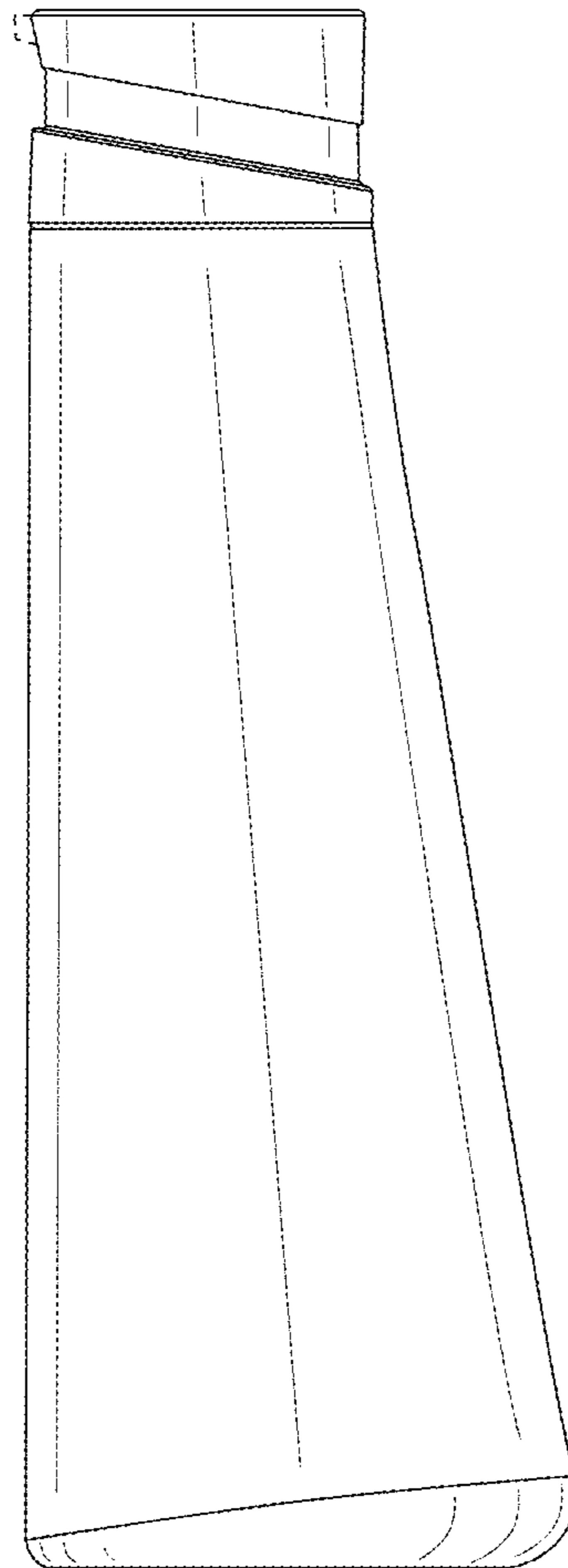


FIG. 3

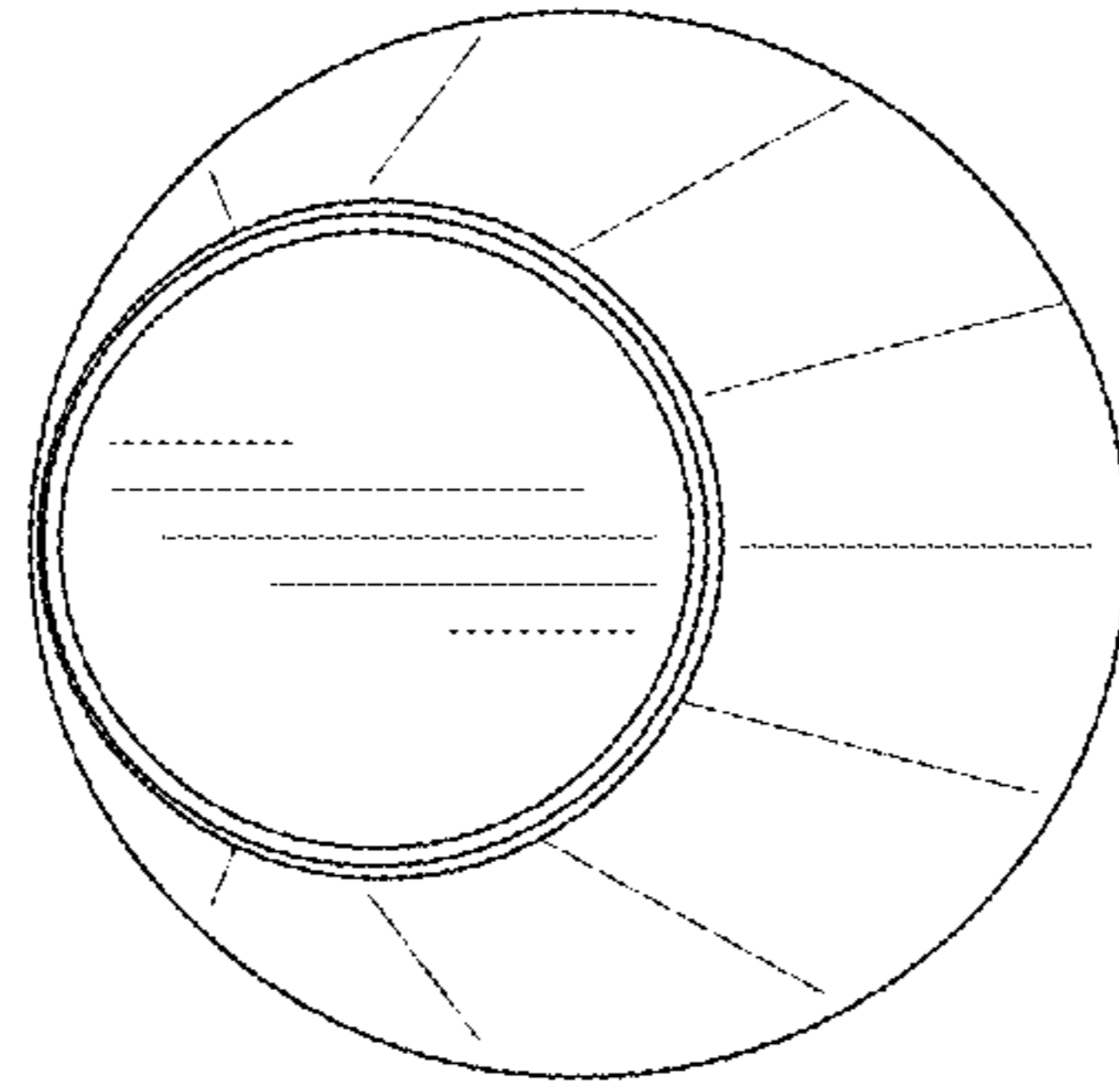


FIG. 4

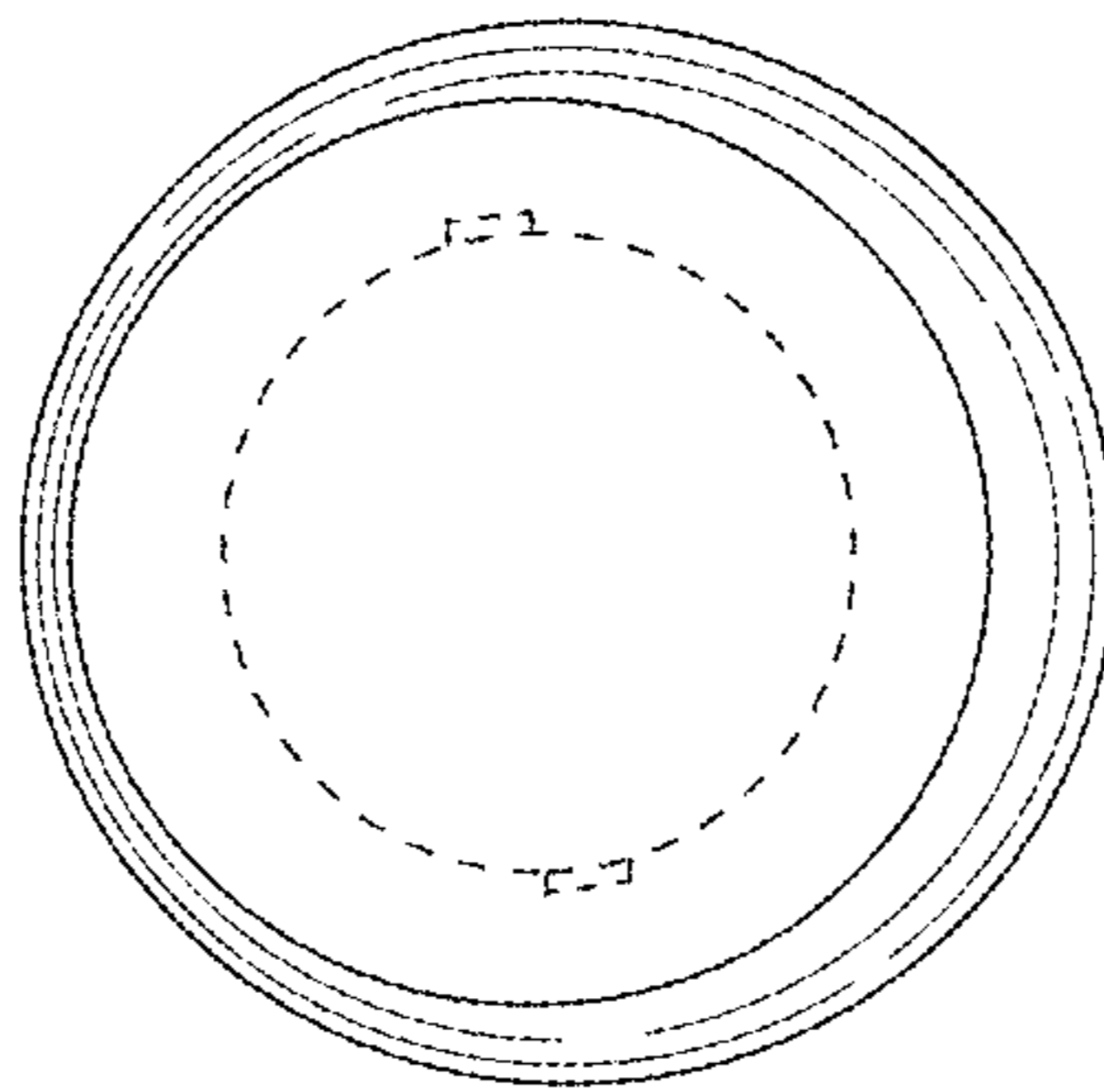


FIG. 5