



US00D806554S

(12) **United States Design Patent**  
**Santoro et al.**

(10) **Patent No.:** **US D806,554 S**  
(45) **Date of Patent:** **\*\* Jan. 2, 2018**

(54) **BOTTLE**

(71) Applicant: **Vi-Jon, Inc.**, St. Louis, MO (US)

(72) Inventors: **Donna M. Santoro**, St. Charles, MO (US); **Stephen John Kocis**, Suwanee, GA (US); **Anthony Toribio**, Suwanee, GA (US); **William J. Peek**, Lawrenceville, GA (US)

(73) Assignee: **Vi-Jon, Inc.**, St. Louis, MO (US)

(\*\*) Term: **15 Years**

(21) Appl. No.: **29/566,207**

(22) Filed: **May 27, 2016**

(51) **LOC (11) Cl.** ..... **09-01**

(52) **U.S. Cl.**  
USPC ..... **D9/560; D9/575; D24/121**

(58) **Field of Classification Search**  
USPC ..... D9/516, 520, 530, 544, 545, 549, 551, D9/558, 574, 715, 719; D24/108, 115, D24/121  
CPC .... B65D 1/0223; B65D 1/32; B65D 2203/00; B65D 85/72; B65D 2517/0056  
See application file for complete search history.

(56) **References Cited**

**U.S. PATENT DOCUMENTS**

D45,295 S *	2/1914	Haig	.....	D9/542
D78,949 S *	7/1929	Swindle	.....	D9/562
D94,783 S *	3/1935	Smith	.....	D9/562
D94,824 S *	3/1935	Fuerst	.....	D9/562
D95,260 S *	4/1935	Robinson	.....	D9/562
D95,547 S *	5/1935	Key	.....	D9/544
D103,065 S *	2/1937	Fuerst	.....	D9/562
D370,636 S *	6/1996	Crawford	.....	D9/562
D383,982 S *	9/1997	Tippitt	.....	D9/545
D414,261 S *	9/1999	Ritsche	.....	D24/110

D426,775 S *	6/2000	Zimmer	.....	D9/542
D471,973 S *	3/2003	Gillissen	.....	D24/110
D528,654 S *	9/2006	Nishibayashi	.....	D24/110
D540,690 S *	4/2007	Adler	.....	D9/563
D544,956 S *	6/2007	Collins	.....	D24/110
D552,231 S *	10/2007	Collins	.....	D24/110
D621,712 S *	8/2010	Tomas Vilarrasa	.....	D9/522
D632,181 S *	2/2011	Kuzma	.....	D9/542
D642,477 S *	8/2011	Lec Tre	.....	D9/544
D691,053 S *	10/2013	Garcia	.....	D9/543
D734,055 S *	7/2015	Davis	.....	D6/542
D749,425 S *	2/2016	Wable	.....	D9/435
9,314,808 B2 *	4/2016	Allsop	.....	B05B 11/3059

(Continued)

*Primary Examiner* — Ian Simmons

*Assistant Examiner* — Keith Frank

(74) *Attorney, Agent, or Firm* — Armstrong Teasdale LLP

(57) **CLAIM**

We claim the ornamental design for a bottle, as shown and described.

**DESCRIPTION**

FIG. 1 is a front perspective view of a bottle showing our new design;

FIG. 2 is a rear perspective view of the bottle design shown in FIG. 1;

FIG. 3 is a front view of the bottle design shown in FIG. 1;

FIG. 4 is a rear view of the bottle design shown in FIG. 1;

FIG. 5 is a right view of the bottle design shown in FIG. 1;

FIG. 6 is a left view of the bottle design shown in FIG. 1;

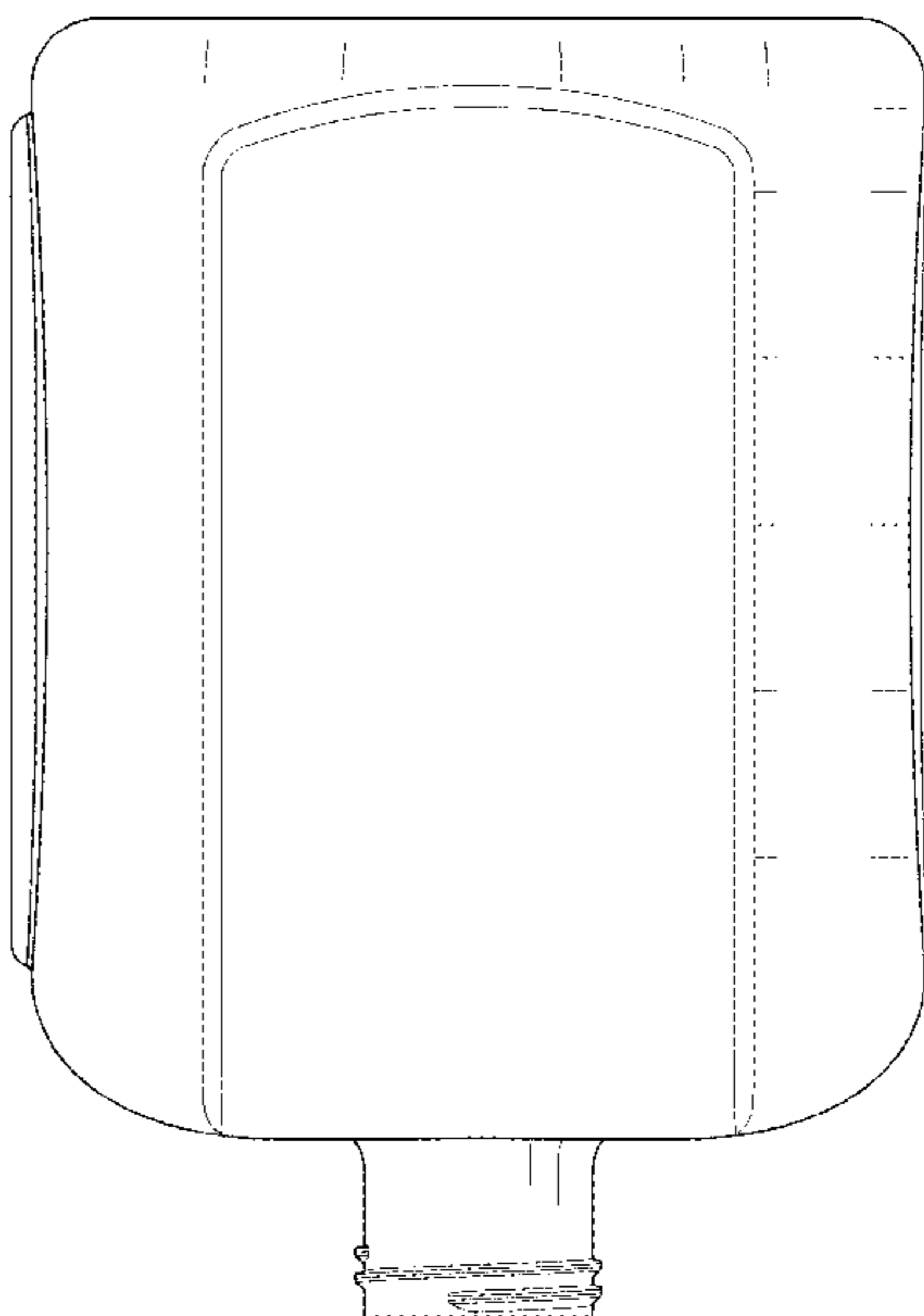
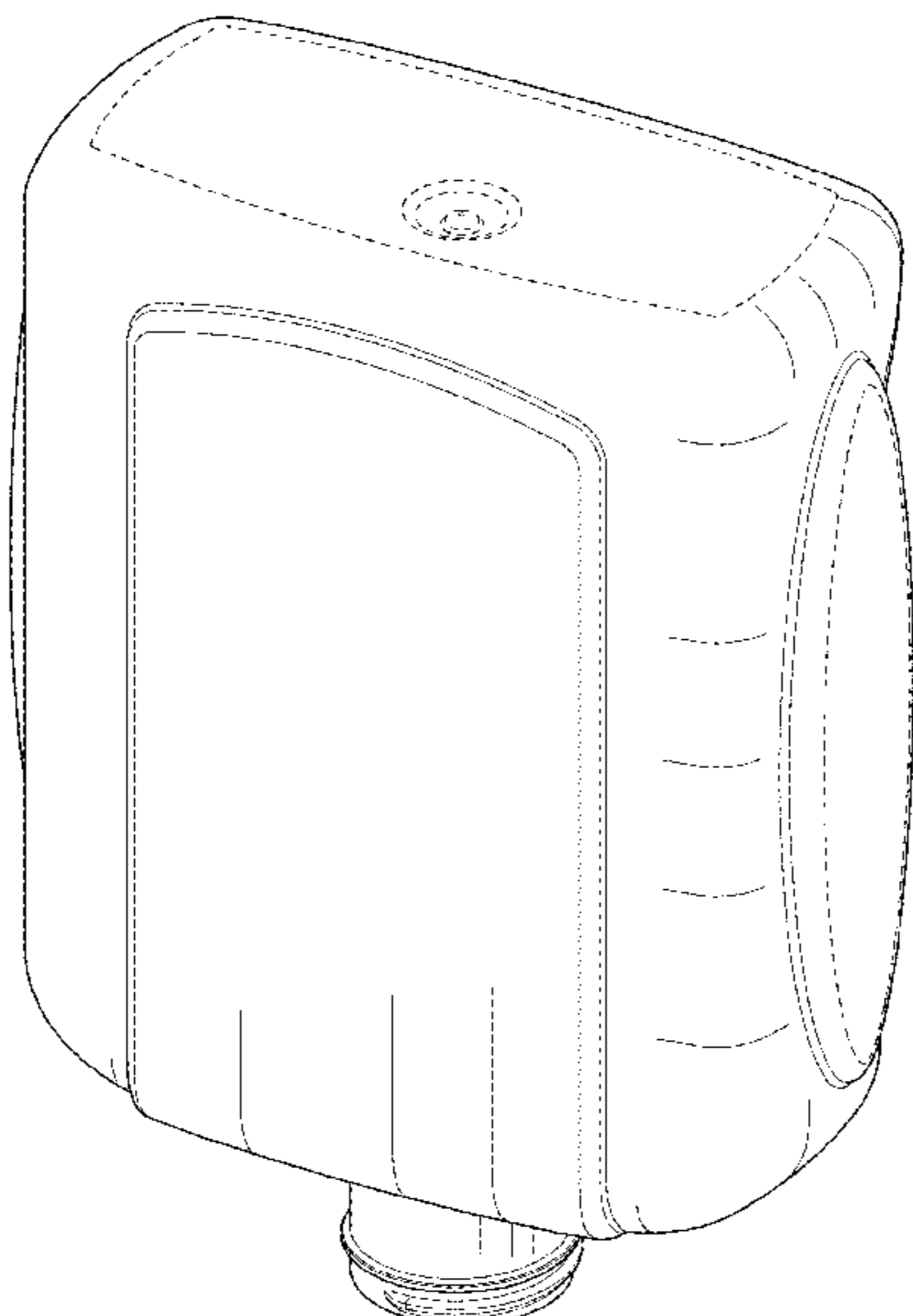
FIG. 7 is a top view of the bottle design shown in FIG. 1;

and,

FIG. 8 is a bottom view of the bottle design shown in FIG. 1.

The broken lines in the drawings showing the bottle illustrate the portions of the bottle that form no part of the claimed design.

**1 Claim, 8 Drawing Sheets**



(56)

**References Cited**

U.S. PATENT DOCUMENTS

D769,019 S \* 10/2016 Beck ..... D6/542  
D770,294 S \* 11/2016 Santoro ..... D9/520

\* cited by examiner

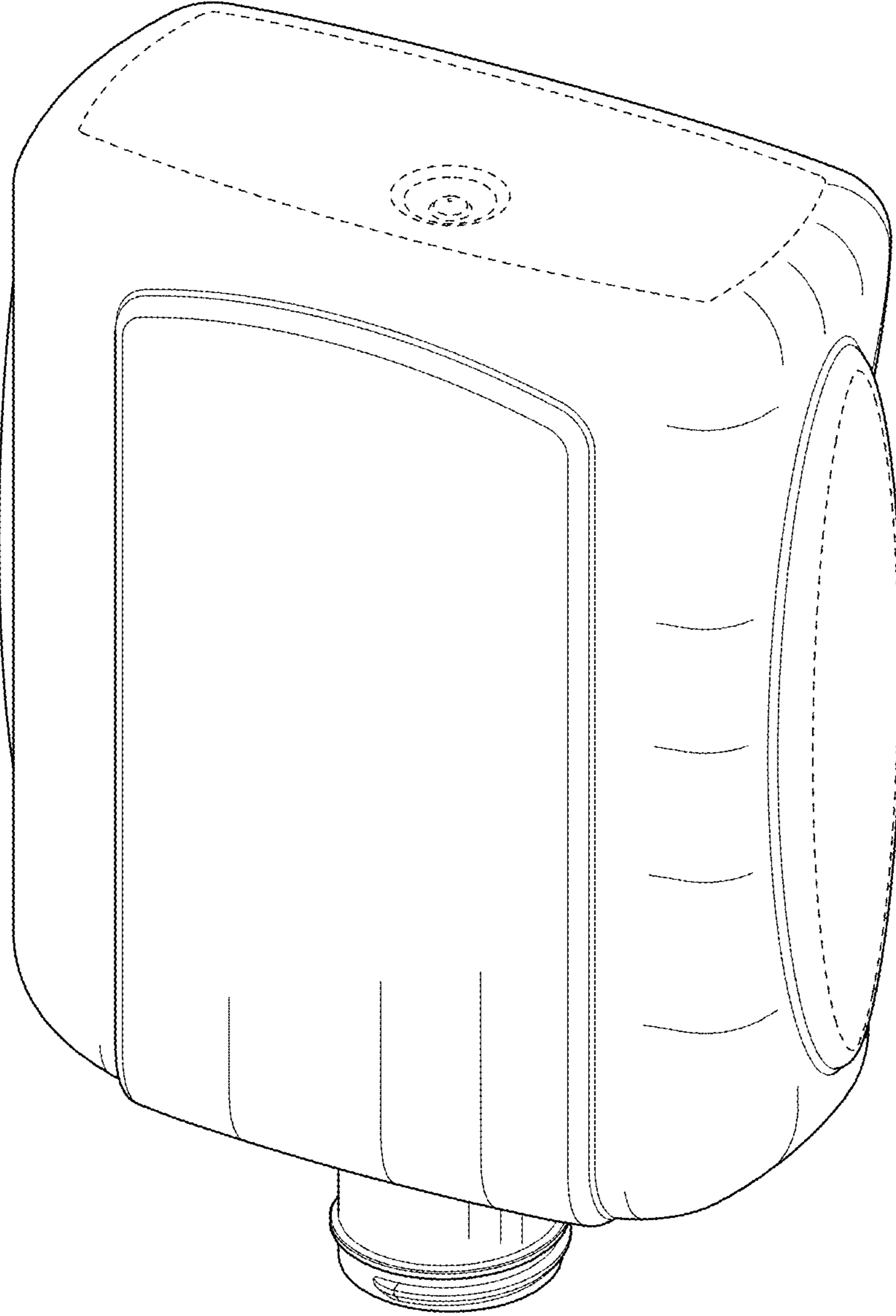


FIG. 1

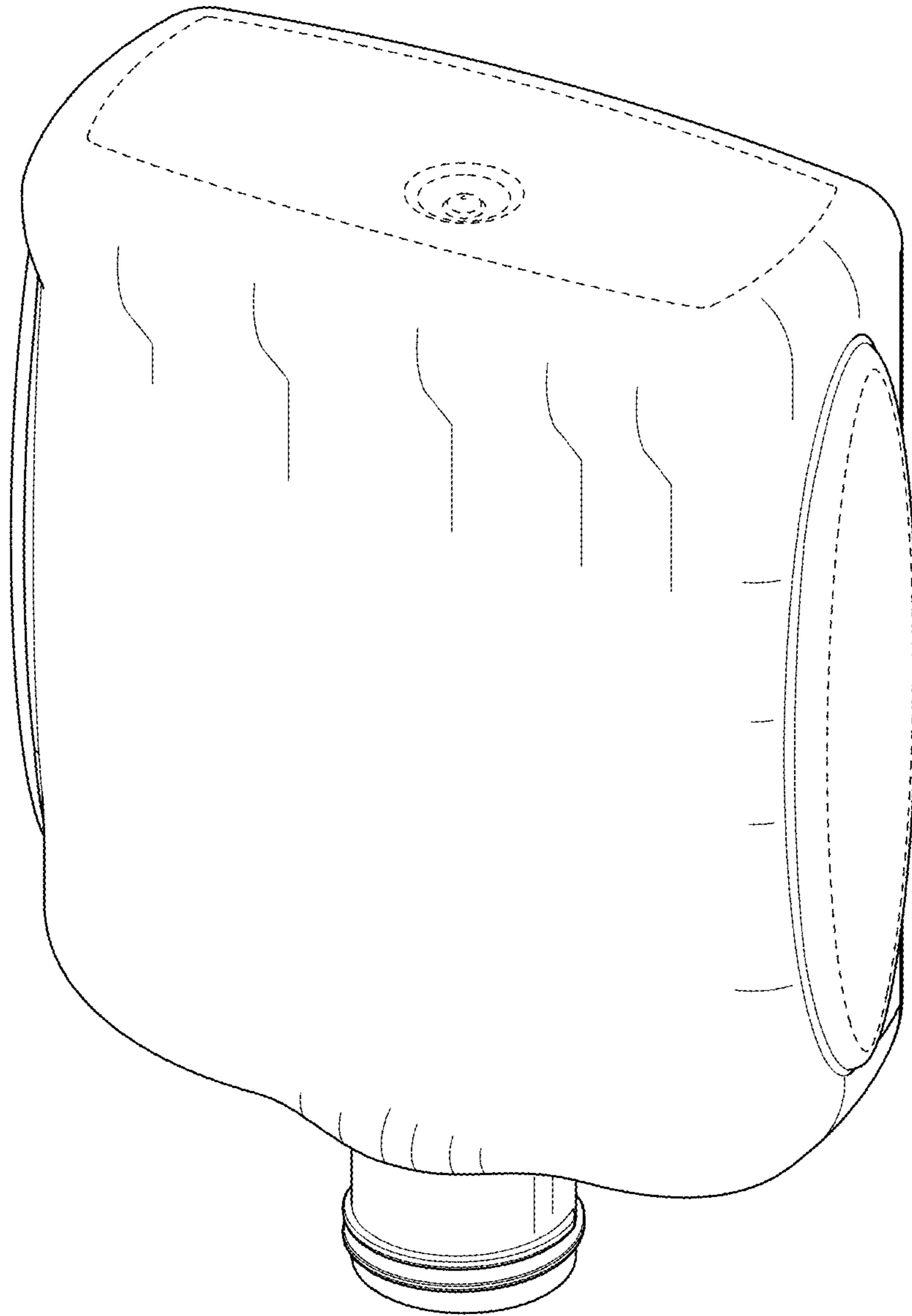


FIG. 2

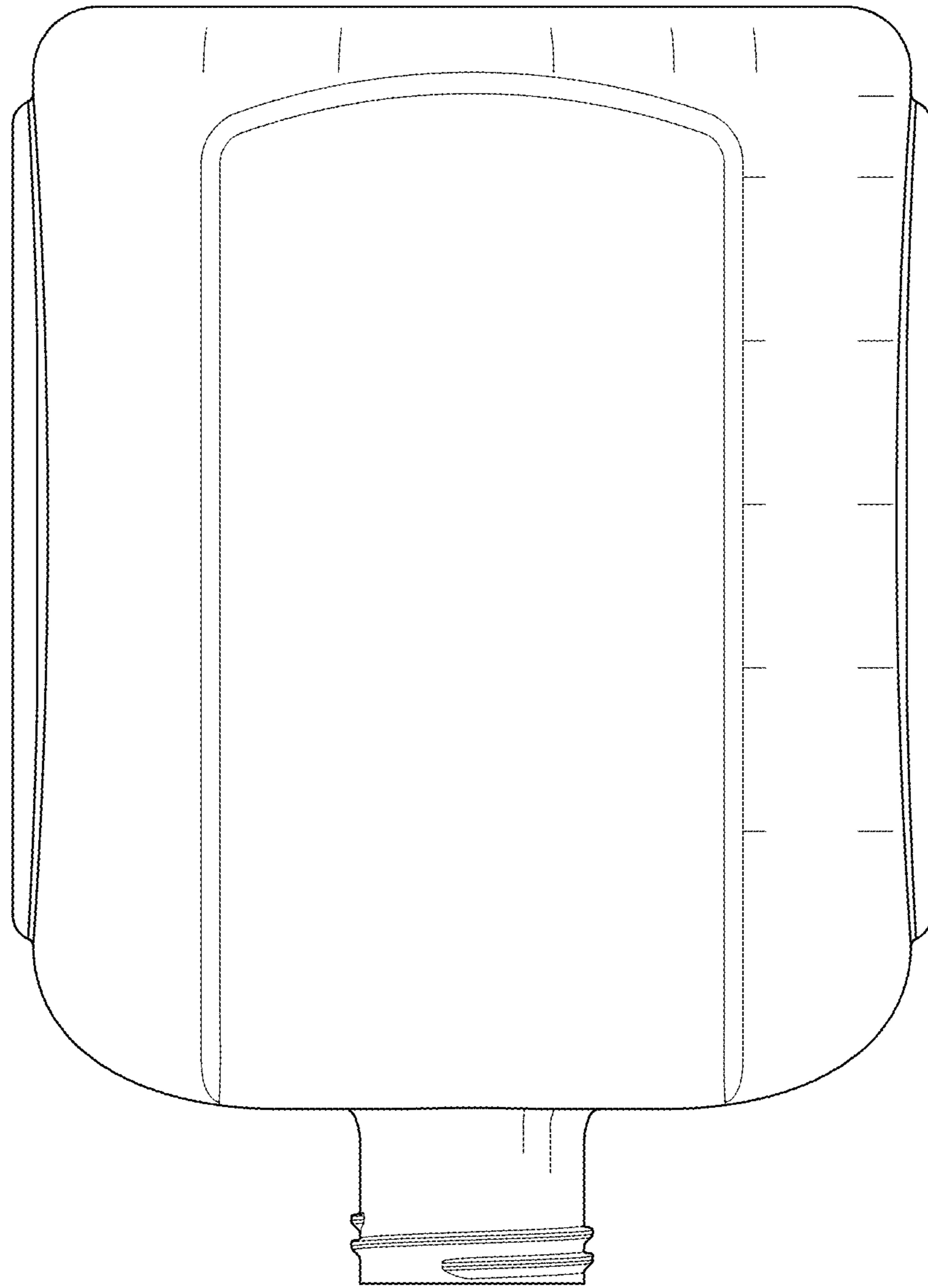


FIG. 3

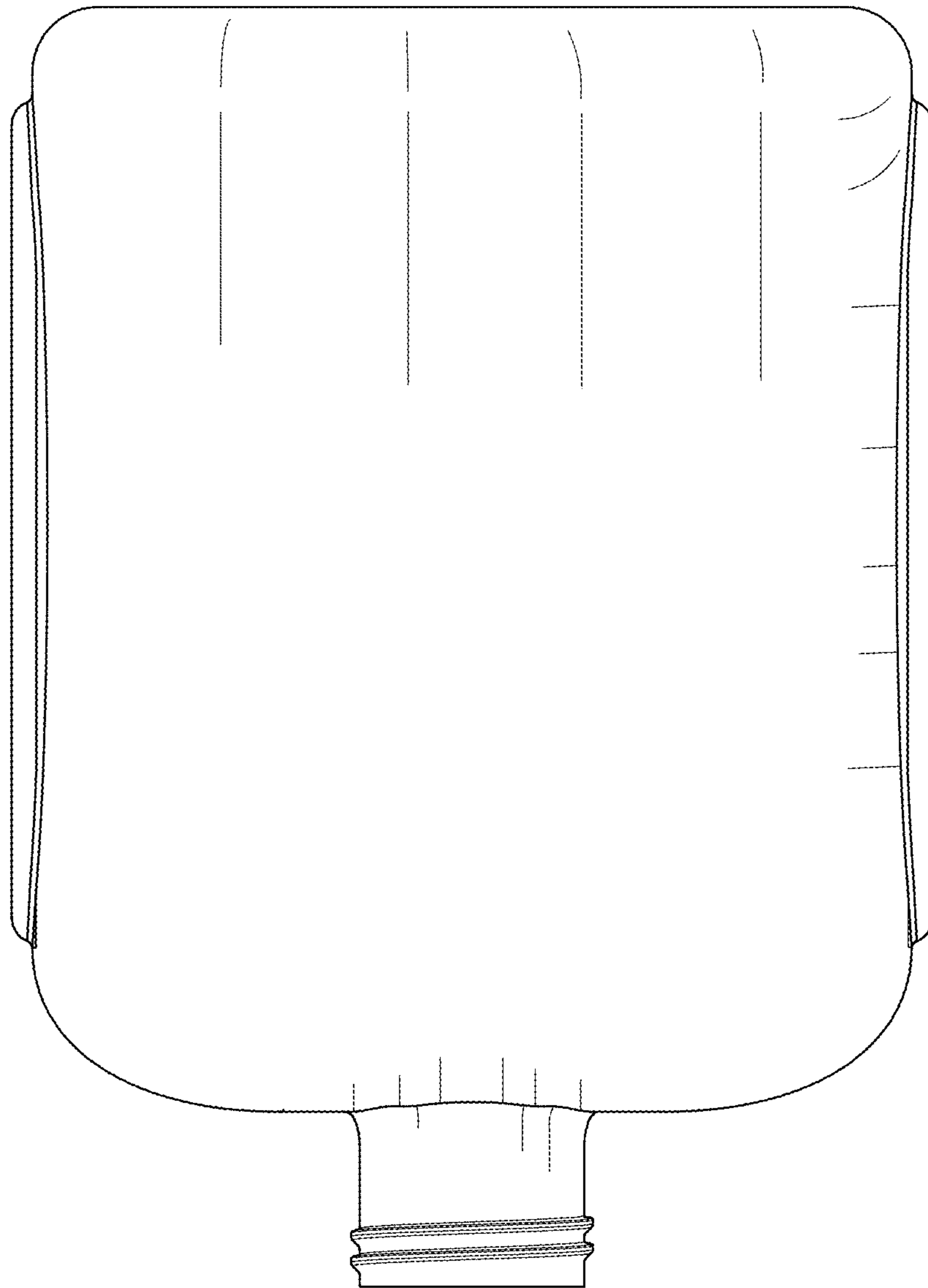


FIG. 4

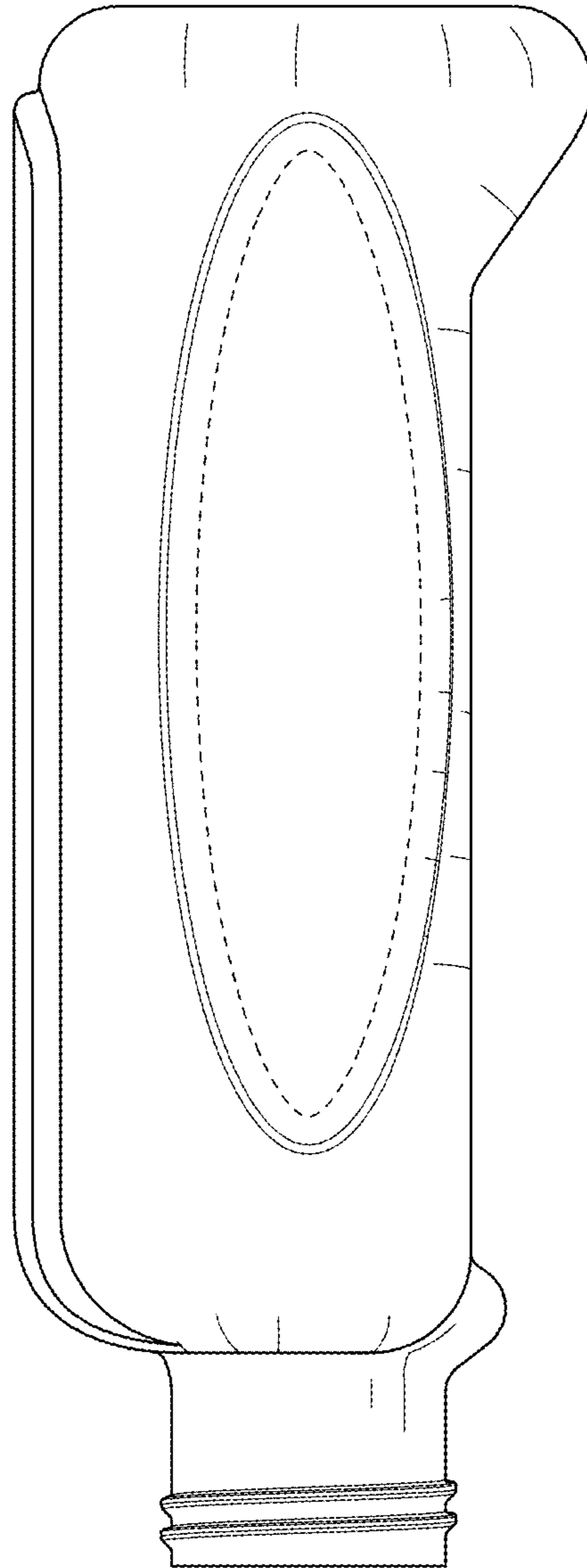


FIG. 5

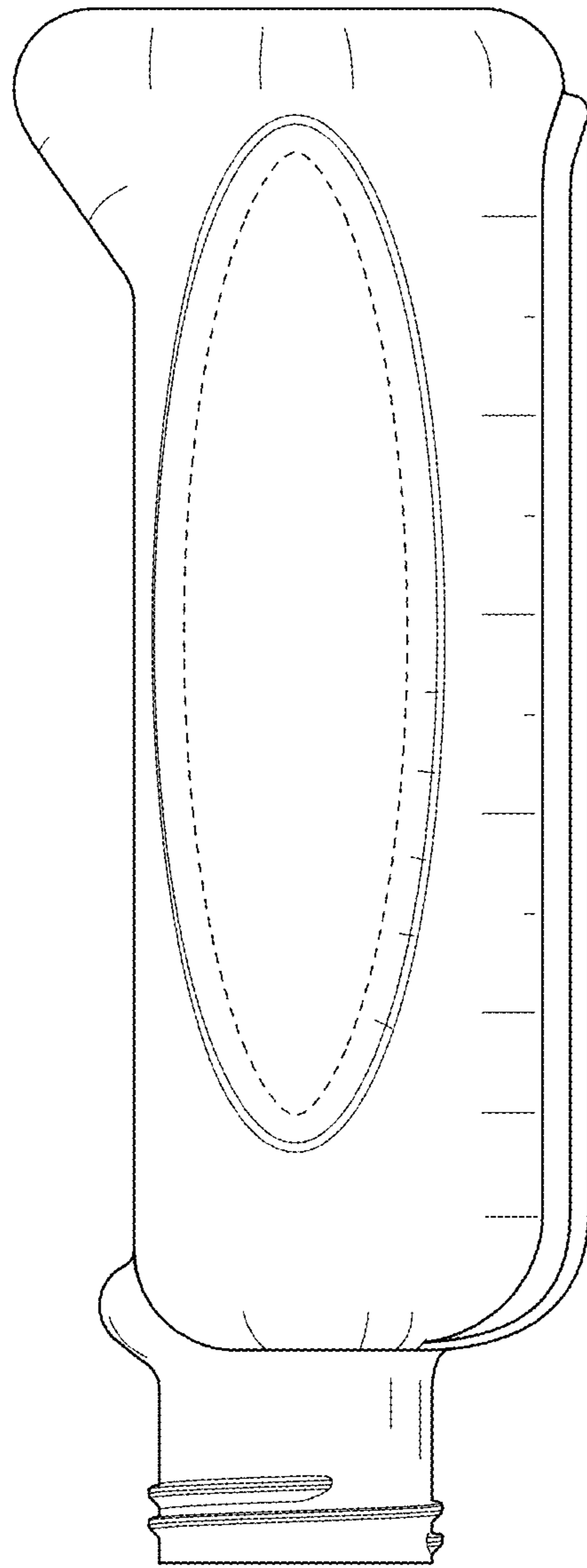


FIG. 6



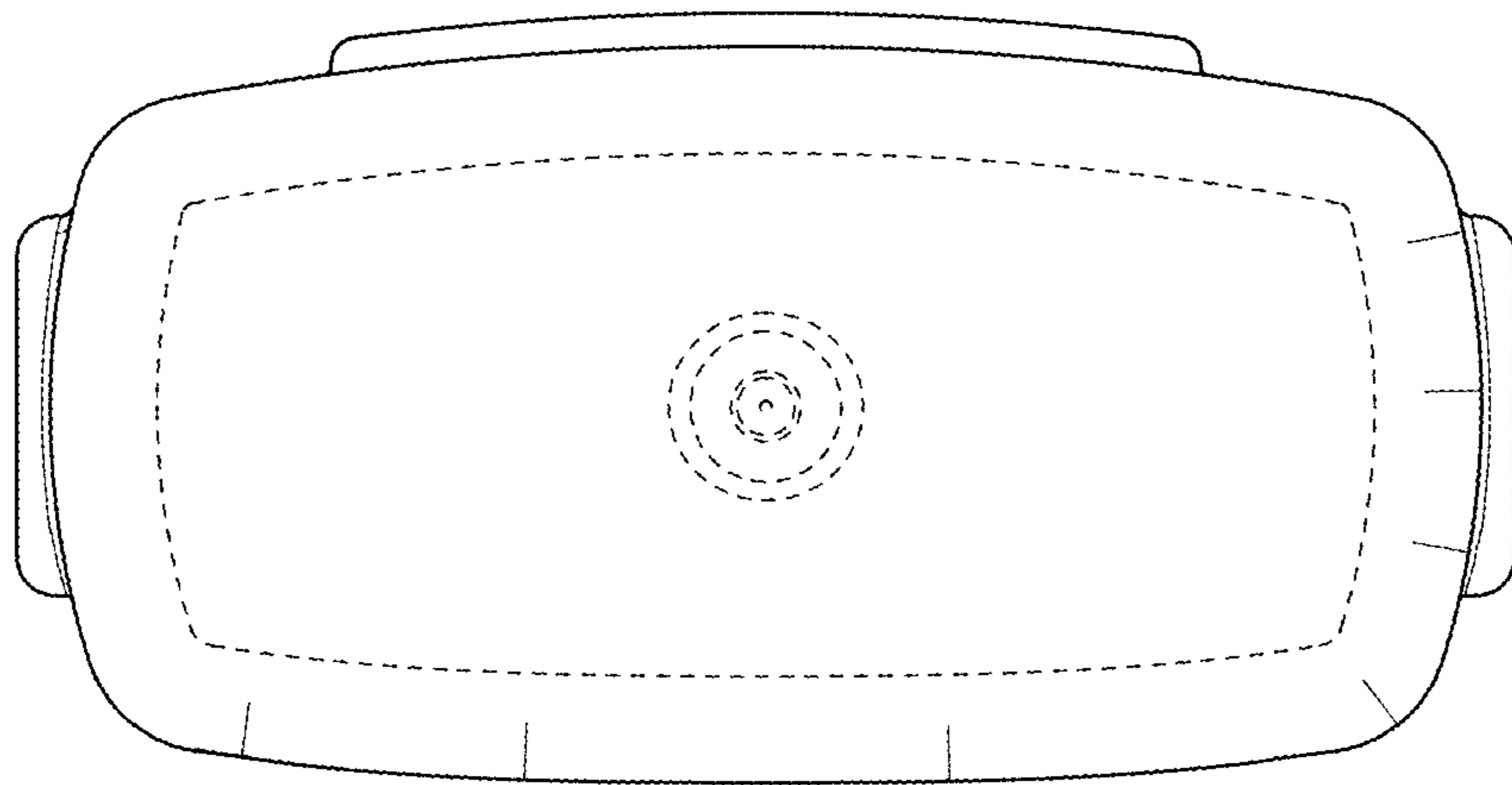


FIG. 7

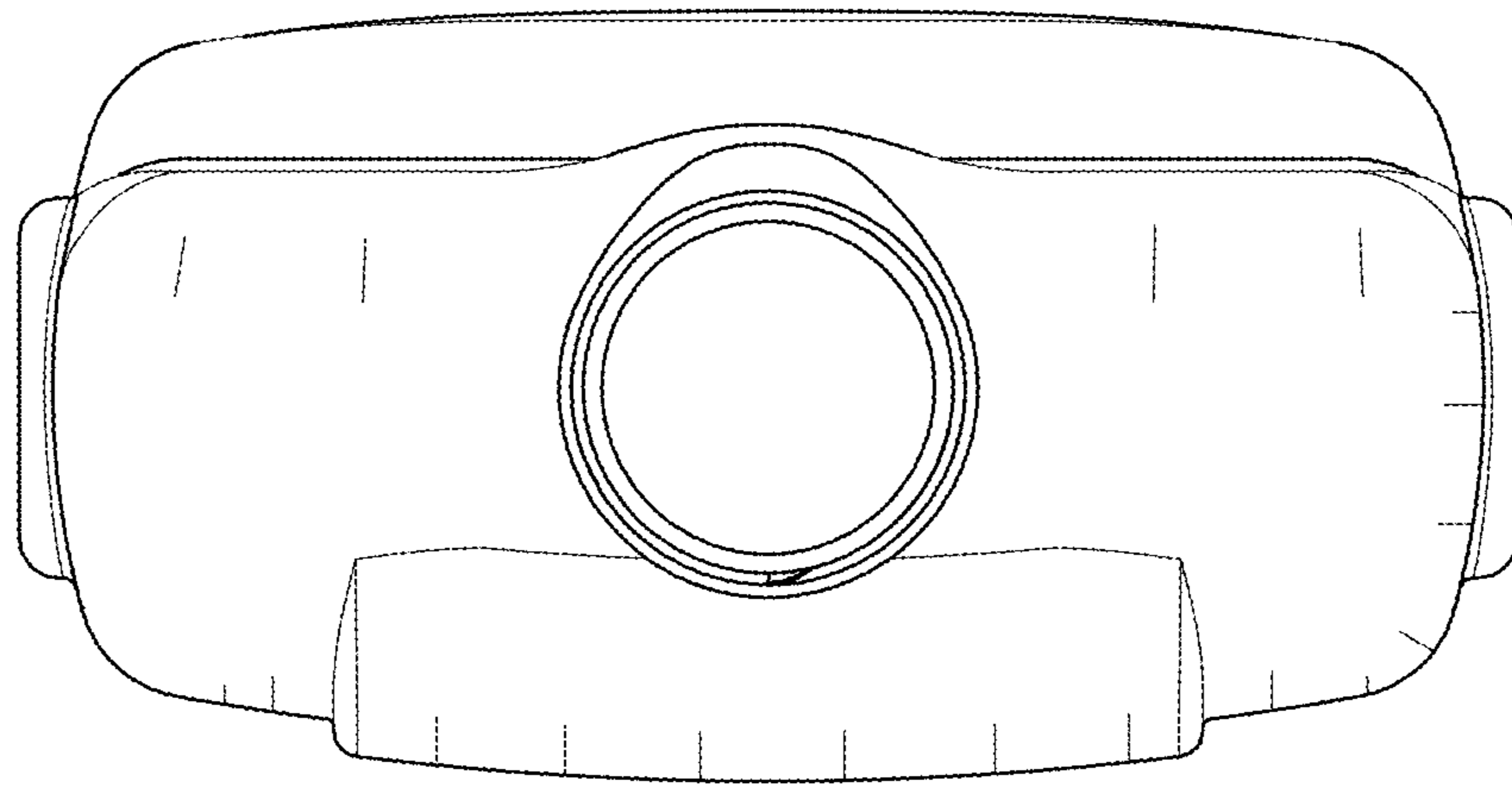


FIG. 8