



US00D806553S

(12) **United States Design Patent** (10) **Patent No.:** **US D806,553 S**
Hendrickson et al. (45) **Date of Patent:** **** Jan. 2, 2018**

(54) **CONTAINER**
(75) Inventors: **B. Everett Hendrickson**, Los Angeles, CA (US); **Timothy J. Carlson**, Arlington, VA (US); **A. Irene Hendrickson**, Los Angeles, CA (US)
(73) Assignee: **FRIENDSHIP PRODUCTS, LLC**, Arlington, VA (US)
(**) Term: **14 Years**
(21) Appl. No.: **29/422,260**
(22) Filed: **Aug. 9, 2012**
(51) **LOC (11) Cl.** **09-01**
(52) **U.S. Cl.**
USPC **D9/559**
(58) **Field of Classification Search**
USPC D9/640, 738-747, 767, 772-775, 516, D9/529-530, 537-543, 549, 554, 556, D9/558, 559-61, 569-570, 572-575; 215/10, 381-385; 220/23.4, 660, 669, 220/675; D8/349-399
See application file for complete search history.

3,369,658 A 2/1968 Hasselmann
3,374,917 A * 3/1968 Troy 220/23.4
3,391,824 A 7/1968 Wiseman
3,763,980 A * 10/1973 Vom Stein et al. 220/23.4 X
3,815,281 A 6/1974 Kander
3,944,074 A 3/1976 Riley
3,994,408 A 11/1976 Belitzky
4,003,491 A 1/1977 Wells et al.
D244,992 S * 7/1977 Van der Veken D9/741 X
D249,230 S * 9/1978 Van Der Veken D9/715 X
D249,232 S * 9/1978 Van der Veken D9/640
4,258,847 A 3/1981 Nierman
D260,609 S * 9/1981 Courreges D9/556 X
D260,858 S * 9/1981 Courreges D9/545
4,308,955 A 1/1982 Schieser
4,363,415 A 12/1982 Rainville
4,573,595 A * 3/1986 Mednis 215/383 X
4,624,383 A 11/1986 Moore
4,685,565 A 8/1987 Sparling

(Continued)

Primary Examiner — Philip S Hyder
Assistant Examiner — Cary M Robinson
(74) *Attorney, Agent, or Firm* — Sheets Law Office, LLC; Kendal M. Sheets

(57) **CLAIM**

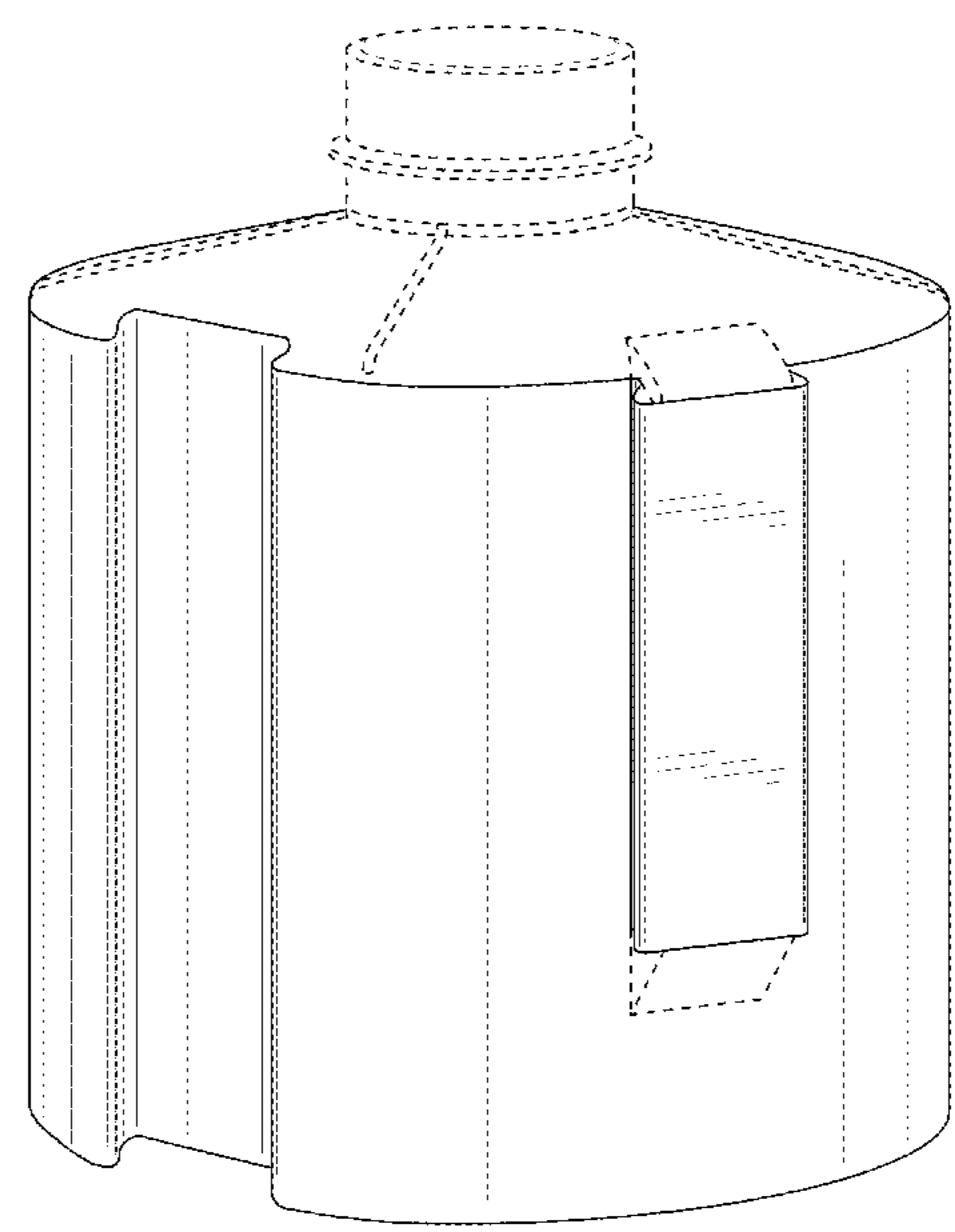
The ornamental design for a container, as shown and described.

DESCRIPTION

FIG. 1 is a perspective view of the design from a top side thereof; and,
FIG. 2 is a bottom view thereof.
The broken lines in the flared portions of the protruding columns of the container illustrate a boundary of the claim and form no part of the claimed design. The remaining broken lines shown on the container in the drawing views illustrate portions of the container in which the design is embodied that form no part of the claimed design.

1 Claim, 2 Drawing Sheets

(56) **References Cited**
U.S. PATENT DOCUMENTS
D88,905 S * 1/1933 Dreyfuss D9/556 X
D91,247 S * 12/1933 Mengle D9/556
D107,689 S * 12/1937 Lloyd D9/556 X
2,753,077 A 10/1952 Greco
2,641,374 A * 6/1953 Der Yuen 215/10
2,994,450 A * 8/1961 De Van et al. 217/29
3,194,426 A 7/1965 Brown
D203,007 S * 11/1965 Adell D9/520
D205,552 S * 8/1966 Meyers D9/541 X
D206,026 S * 10/1966 Miller D9/556
3,307,729 A 3/1967 Schwartz
D208,380 S * 8/1967 Schnur D9/529 X



(56)

References Cited

U.S. PATENT DOCUMENTS

D300,303 S *	3/1989	Sparling	D9/743 X	6,276,549 B1	8/2001	Fasci et al.	
4,889,254 A	12/1989	Vola			D464,887 S	10/2002	Sherwell	
4,966,298 A	10/1990	Von Holdt			6,719,161 B1	4/2004	Craig	
5,050,755 A	9/1991	Strawder			D586,225 S *	2/2009	Devereaux D9/541
5,135,823 A	8/1992	Eales			7,614,515 B2	11/2009	Furusawa et al.	
D341,781 S	11/1993	Sanyal			D624,825 S *	10/2010	Coulton D9/574 X
5,271,515 A	12/1993	Berkheimer et al.			8,201,699 B2	6/2012	Zummo et al.	
5,310,071 A	5/1994	Rivlin et al.			8,348,077 B2 *	1/2013	Wimmer B65B 17/02 220/23.4
5,316,159 A	5/1994	Douglas et al.			D717,659 S *	11/2014	Veuger D9/520
5,381,916 A *	1/1995	Strawder	220/23.4	D719,456 S *	12/2014	Ivie D9/560
5,402,903 A *	4/1995	Mann	B65D 81/361 220/23.6	D722,884 S *	2/2015	Eble D9/543
5,503,288 A	4/1996	Conconi			RE45,448 E *	4/2015	Becklin 220/23.83 X
D374,998 S *	10/1996	Ko	D6/440	9,108,764 B2 *	8/2015	Gegembauer B65D 1/0292
5,638,974 A	6/1997	Mann			9,230,360 B2 *	1/2016	Jakobsen G06T 15/40
5,766,536 A	6/1998	Felder			2005/0011853 A1	1/2005	Brugger	
D407,020 S	3/1999	Doty			2006/0059838 A1	3/2006	Pimental	
6,045,746 A	4/2000	Komine et al.			2006/0261063 A1 *	11/2006	Dyehouse B65D 21/0204 220/23.4
6,047,827 A *	4/2000	Huang	220/23.4 X	2007/0098935 A1	5/2007	Farran et al.	
D437,366 S	2/2001	Stemmler			2009/0045157 A1 *	2/2009	Panchal et al. 215/10
D439,156 S	3/2001	Hall et al.			2009/0090647 A1 *	4/2009	Panchal et al. 206/504
					2010/0308043 A1 *	12/2010	Wimmer 220/669 X
					2012/0118848 A1 *	5/2012	Hendrickson et al. 215/40

* cited by examiner

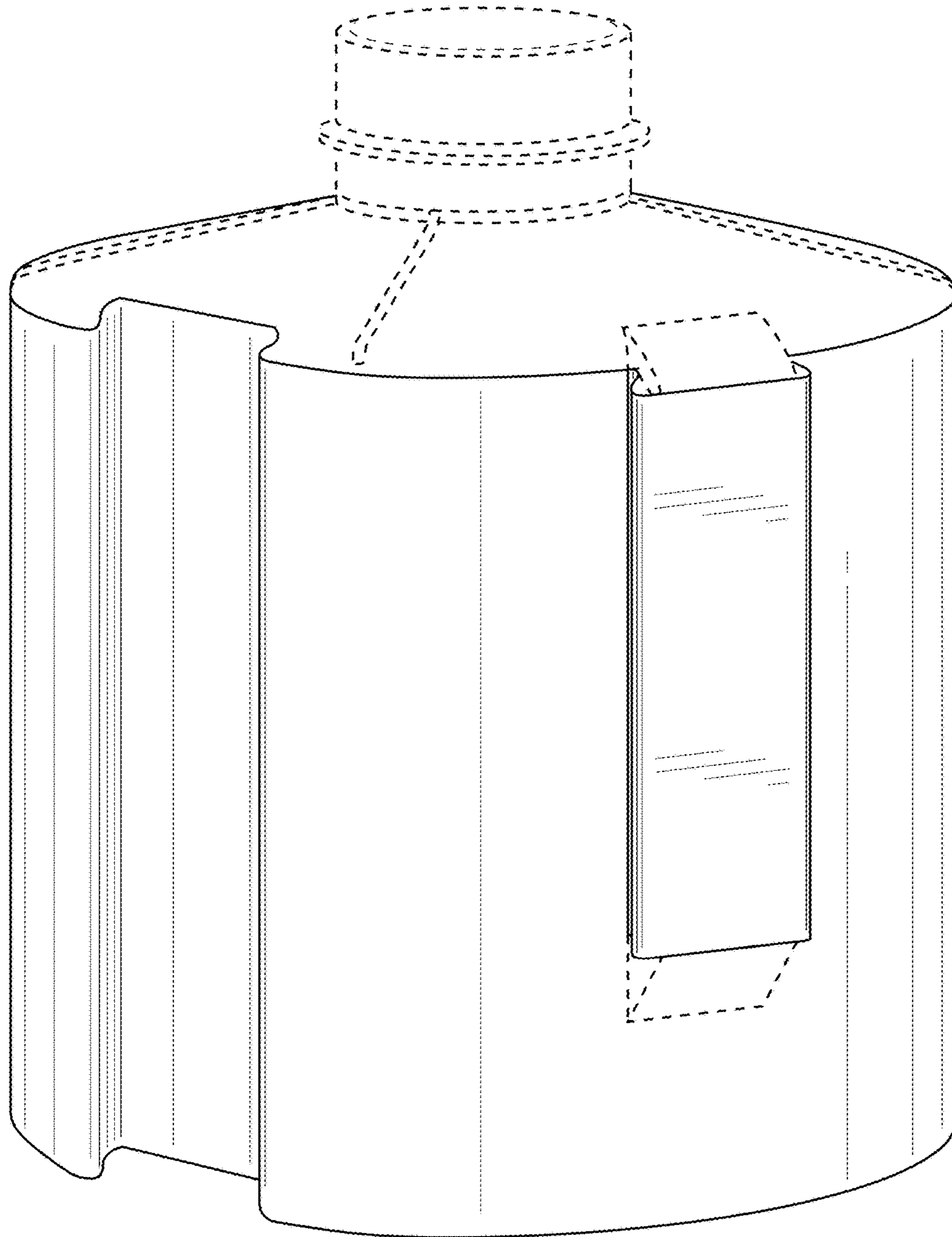


FIG. 1

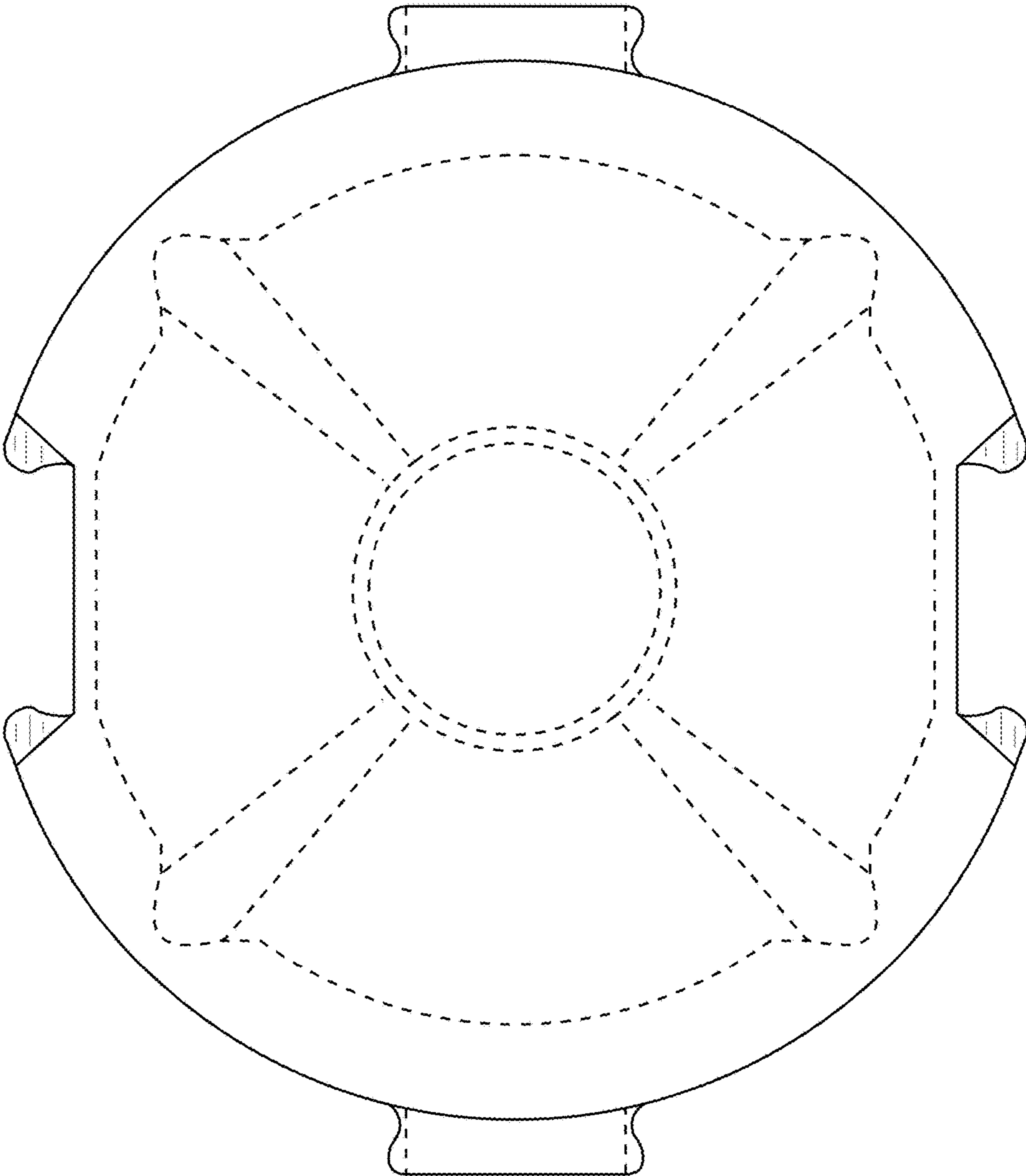


FIG. 2