



US00D806548S

(12) **United States Design Patent**
Barrett

(10) **Patent No.:** **US D806,548 S**
(45) **Date of Patent:** **** Jan. 2, 2018**

- (54) **CLOTH BAND TIE PLATE**
- (71) Applicant: **Kourtney F. Barrett**, Bentonville, AR (US)
- (72) Inventor: **Kourtney F. Barrett**, Bentonville, AR (US)
- (73) Assignee: **Junk Brands Company, LLC**, Bentonville, AR (US)
- (**) Term: **15 Years**
- (21) Appl. No.: **29/527,087**
- (22) Filed: **May 15, 2015**
- (51) **LOC (11) Cl.** **09-03**
- (52) **U.S. Cl.**
USPC **D9/457; D9/722**
- (58) **Field of Classification Search**
USPC D9/415, 715, 722, 457; D6/315, 323
CPC A47G 25/36; A47G 25/743; A47G 25/20;
A47G 25/38; A47G 25/28; A47G 25/26;
A47G 25/74; B65D 73/0064; B65D 85/18; B65D 73/0042; B65D 73/0021; B65D 73/0035; B65D 73/0078; B65D 25/22; B65D 33/14; B65D 5/4208; B65D 5/50; B65D 77/02; B65D 85/182; B65D 75/14; B65D 75/54; B65D 5/48024; A45C 13/03
See application file for complete search history.

- (56) **References Cited**
U.S. PATENT DOCUMENTS
D133,433 S * 8/1942 Fridlington D9/415
2,626,735 A * 1/1953 Gwinn A47G 25/743
223/87
3,032,242 A * 5/1962 Roberts A47G 25/743
206/806
3,101,842 A * 8/1963 Sydnor B65D 85/18
206/295

- 3,456,853 A * 7/1969 Hodge A47G 25/743
2/153
- 3,997,091 A * 12/1976 Burnette B65D 73/0064
206/296
- D359,233 S * 6/1995 Verhagen D2/629
- 5,503,269 A * 4/1996 DeBiasio B65D 85/18
206/296
- 6,050,403 A * 4/2000 Draney B65D 85/18
206/282
- 6,622,858 B1 * 9/2003 Wilkinson B65D 73/0078
206/299
- D485,760 S * 1/2004 Koizumi D9/457
- D688,030 S * 8/2013 Kim D2/501
- D745,415 S * 12/2015 Ferriter D9/711
- 2008/0223885 A1 * 9/2008 Ford B65D 73/0071
223/87
- 2009/0045085 A1 * 2/2009 Vax B65D 85/18
206/296
- 2009/0194440 A1 * 8/2009 Pulitzer, Jr. B65D 27/00
206/287

* cited by examiner

Primary Examiner — Lauren Calve
(74) *Attorney, Agent, or Firm* — Head, Johnson, Kachigian & Wilkinson, PC

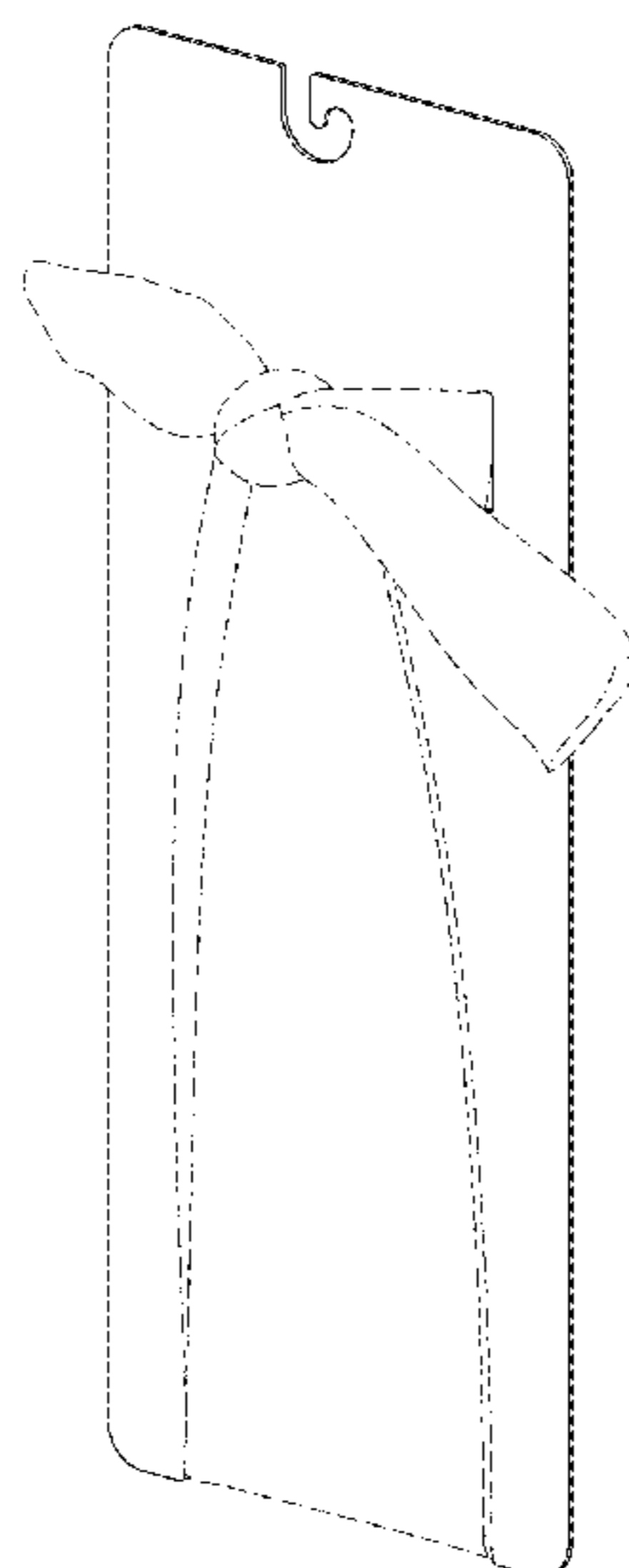
(57) **CLAIM**

The ornamental design for a cloth band tie plate, as shown and described.

DESCRIPTION

FIG. 1 is a perspective view of a cloth band tie plate showing my new design;
FIG. 2 is a top view thereof;
FIG. 3 is a left side view thereof;
FIG. 4 is a front view thereof;
FIG. 5 is a right side view thereof;
FIG. 6 is a back view thereof; and,
FIG. 7 is a bottom view thereof.
The broken lines shown represent unclaimed subject matter and form no part of the claimed design.

1 Claim, 7 Drawing Sheets



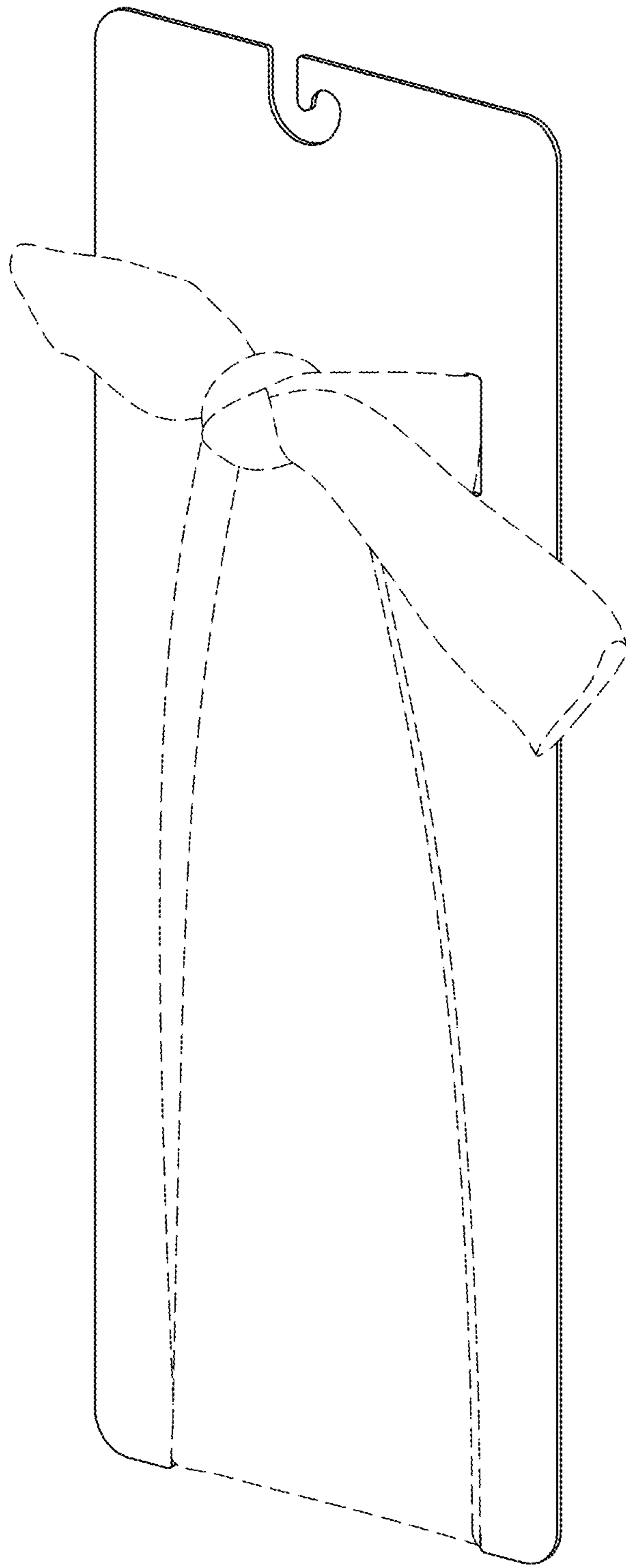


FIG. 1

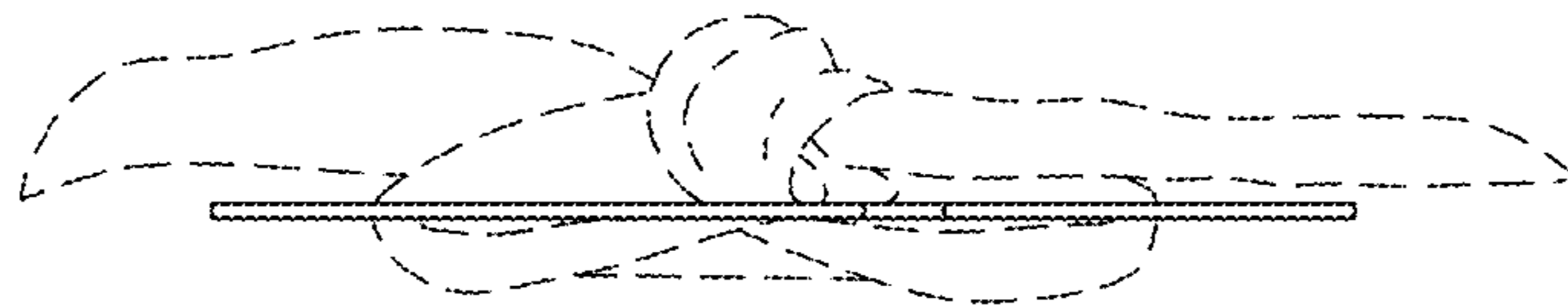


FIG. 2

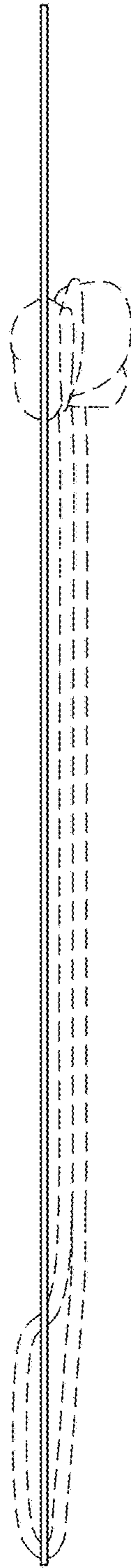


FIG. 3

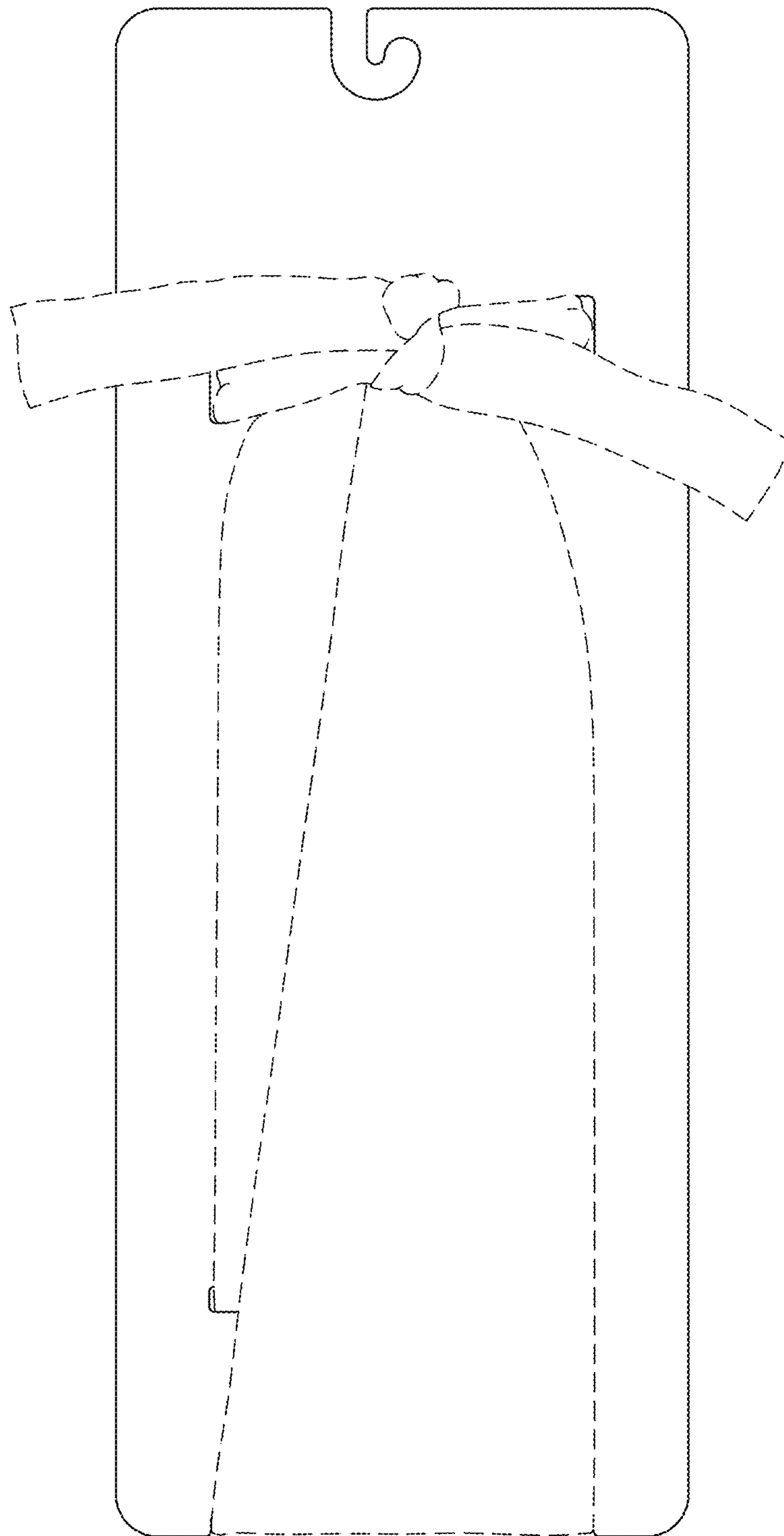


FIG. 4

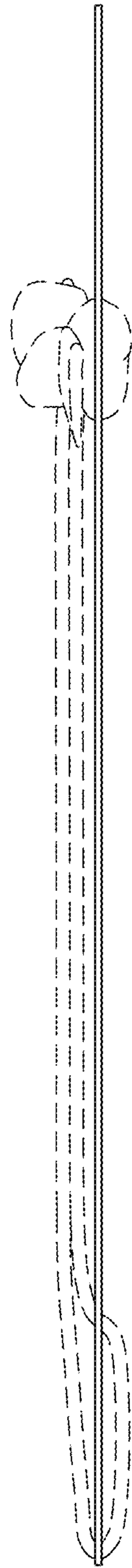


FIG. 5

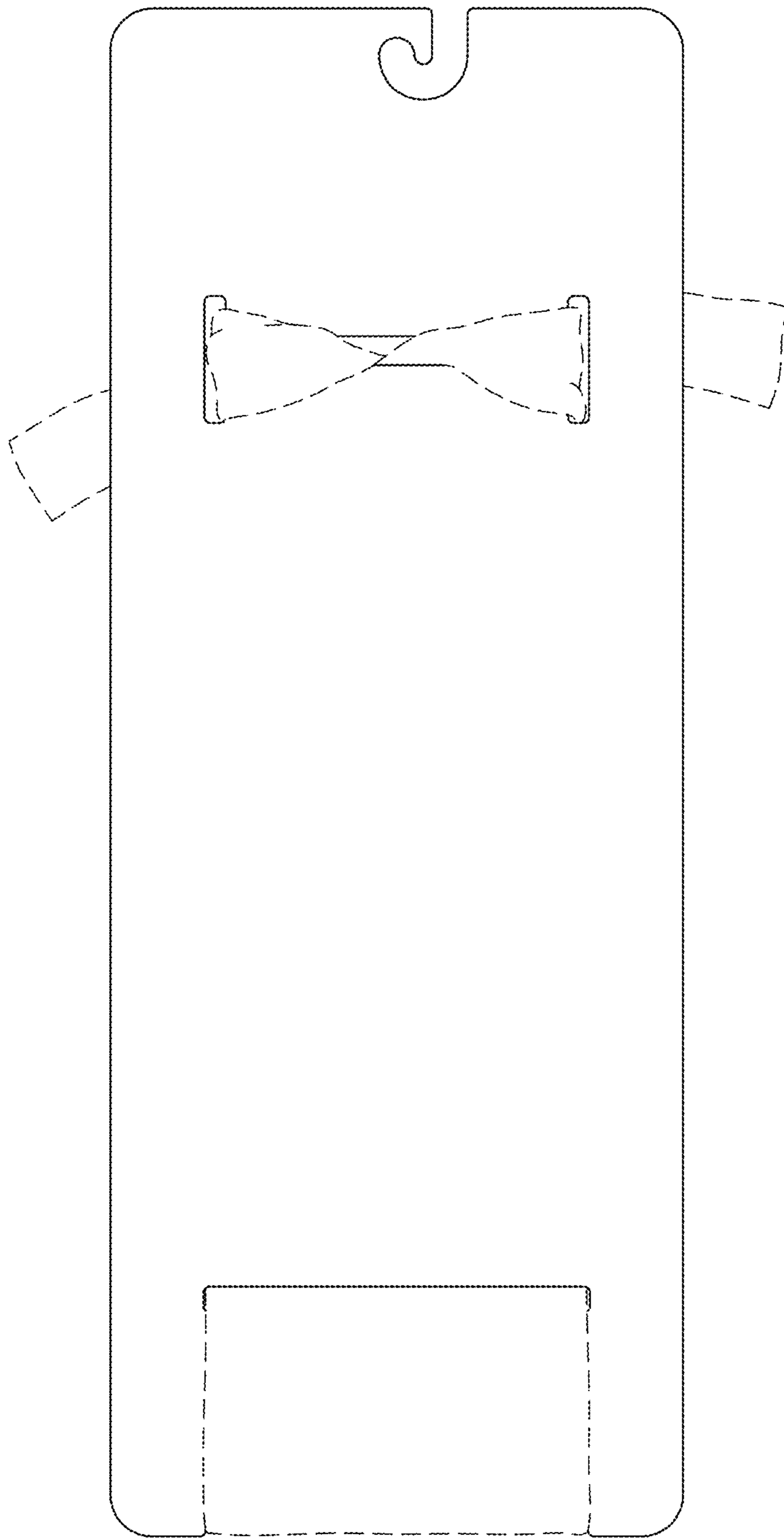


FIG. 6

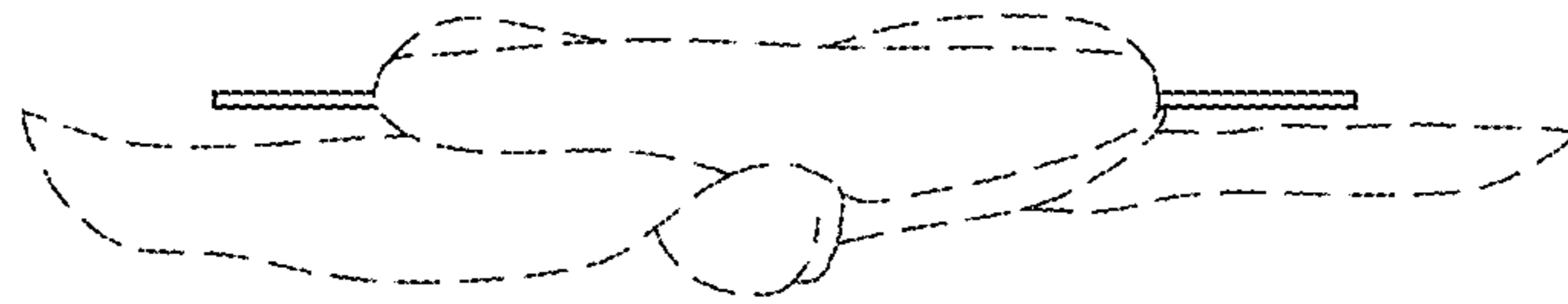


FIG. 7