



US00D806545S

(12) **United States Design Patent**
Circosta et al.

(10) **Patent No.:** **US D806,545 S**

(45) **Date of Patent:** **** Jan. 2, 2018**

(54) **DRINK-THROUGH CAP FOR A BEVERAGE BOTTLE**

(71) Applicant: **Can't Live Without It, LLC**, New York, NY (US)

(72) Inventors: **Michael Circosta**, Brooklyn, NY (US); **Clay Allen Burns**, New York, NY (US); **Adriana Kliegman**, New York, NY (US); **James Best**, Hewitt, NJ (US)

(73) Assignee: **CAN'T LIVE WITHOUT IT, LLC**, New York, NY (US)

(**) Term: **15 Years**

(21) Appl. No.: **29/602,824**

(22) Filed: **May 3, 2017**

(51) **LOC (11) Cl.** **09-07**

(52) **U.S. Cl.**
USPC **D9/449**; D7/396.2

(58) **Field of Classification Search**
USPC D7/300, 300.1, 300.2, 303, 313, 317, D7/387, 396.1, 396.2, 509, 510, 511, 538,
(Continued)

(56) **References Cited**

U.S. PATENT DOCUMENTS

5,065,909 A 11/1991 Pino et al.
5,531,363 A * 7/1996 Gross B65D 47/2031
222/494

(Continued)

FOREIGN PATENT DOCUMENTS

EM 001378038-0006 7/2013
EM 003319144-0001 8/2016
KR 300664419-0000 10/2012

OTHER PUBLICATIONS

Web page showing a wine stopper and pourer combination; <https://www.oxo.com/products/beverage/barware/steel-wine-pourer-combination>; printed on May 1, 2011.

(Continued)

Primary Examiner — Jennifer Rivard
Assistant Examiner — Catherine Posthauer

(74) *Attorney, Agent, or Firm* — Dentons US LLP

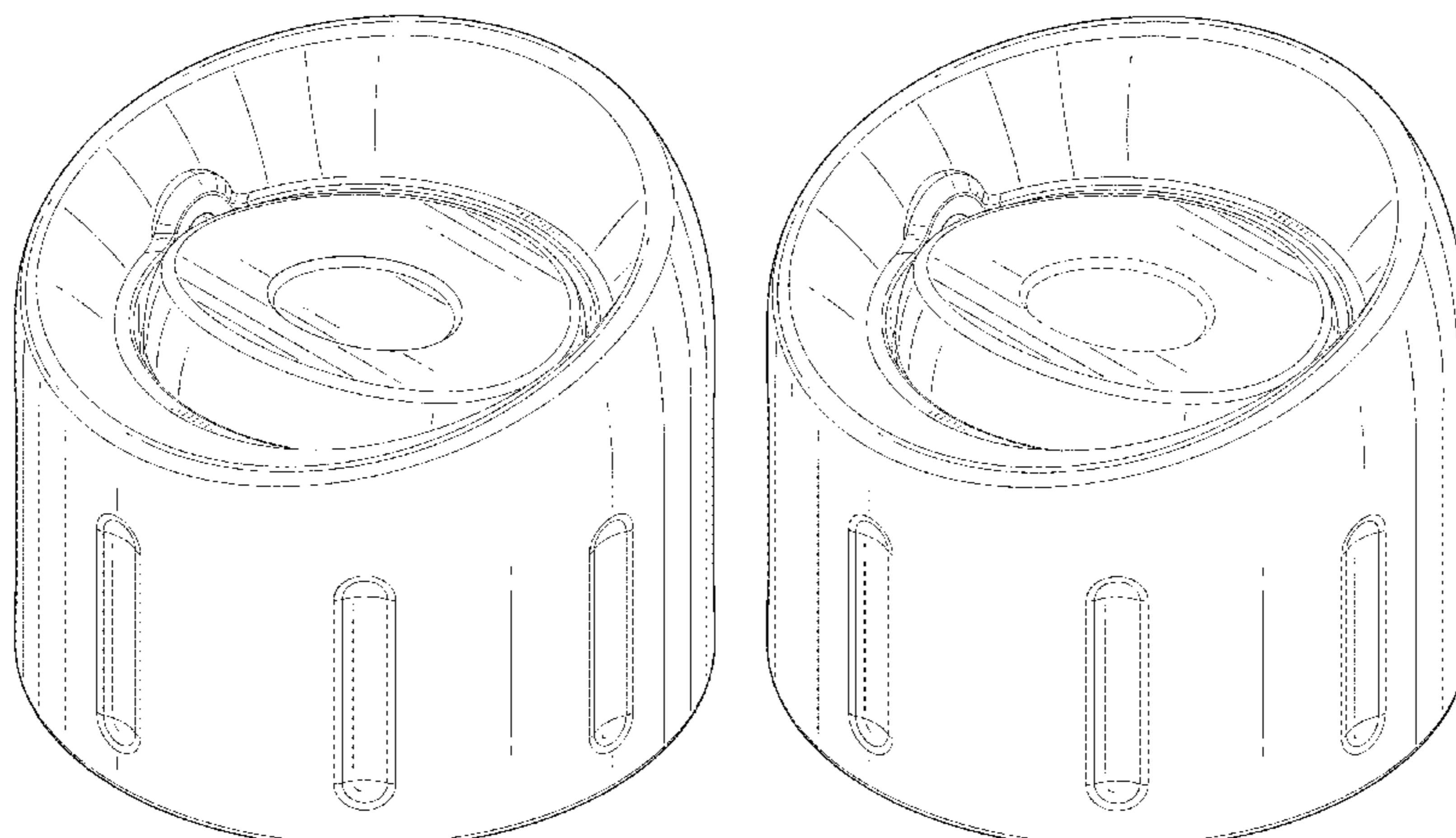
(57) **CLAIM**

The ornamental design for a drink-through cap for a beverage bottle, as shown and described.

DESCRIPTION

FIG. 1 is a rear perspective view of a drink-through cap for a beverage bottle showing a first embodiment of our new design in a closed position;
FIG. 2 is a front elevation view thereof;
FIG. 3 is a rear elevation view thereof;
FIG. 4 is a right side elevation view thereof;
FIG. 5 is a left side elevation view thereof;
FIG. 6 is a top view thereof;
FIG. 7 is a bottom view thereof;
FIG. 8 is a rear perspective view thereof, in an opened position;
FIG. 9 is a rear perspective view, as shown in FIG. 1, in an environmental usage condition with a bottle;
FIG. 10 is a rear perspective view of a drink-through cap for a beverage bottle showing a second embodiment of our new design in a closed position;
FIG. 11 is a front elevation view thereof;
FIG. 12 is a rear elevation view thereof;
FIG. 13 is a right side elevation view thereof;
FIG. 14 is a left side elevation view thereof;
FIG. 15 is a top view thereof;
FIG. 16 is a bottom view thereof;
FIG. 17 is a rear perspective view thereof, in an opened position; and,
FIG. 18 is a rear perspective view, as shown in FIG. 10, in an environmental usage condition with a bottle.
The evenly spaced broken lines are shown for the purpose of illustrating the environmental subject matter of a bottle and for the purpose of illustrating a part of the drink-through cap for a beverage bottle, none of which form part of the claim.

(Continued)



The dot-dash broken lines represent the boundaries of the claim and form no part thereof.

1 Claim, 18 Drawing Sheets

(58) **Field of Classification Search**

USPC D7/602; D9/434, 435, 436, 439, 440, D9/441, 442, 443, 444, 445, 446, 447, D9/448, 449, 450, 451, 452, 453, 454, D9/499; D3/302, 307; D23/206, 259, D23/260, 261; D12/218, 220; D28/61, D28/76, 84
 CPC B65D 41/02; B65D 41/26; B65D 41/32; B65D 59/06; B65D 47/0814; B65D 47/2031; B65D 51/249; B65D 2251/1066; B65D 23/00; B65D 39/08; B65F 1/14; B67D 3/0032; A47G 19/26; A47G 19/2266

See application file for complete search history.

(56) **References Cited**

U.S. PATENT DOCUMENTS

6,763,964 B1 7/2004 Hurlbut et al.
 D505,327 S * 5/2005 Bakic D9/449
 6,889,859 B1 5/2005 Leon
 7,073,678 B1 7/2006 Dibdin et al.
 D535,879 S * 1/2007 Crawford D9/451
 D546,684 S * 7/2007 Crawford D9/451
 D553,983 S * 10/2007 Bunce D9/447
 7,416,093 B2 8/2008 Lin et al.
 D576,038 S * 9/2008 Mazurkiewicz D9/449
 D590,711 S * 4/2009 Floyd D9/435
 D598,284 S * 8/2009 Floyd D9/451
 D600,121 S * 9/2009 Marotti D9/454
 7,686,182 B1 3/2010 Shukri
 D617,190 S * 6/2010 Holmes D9/449
 D627,000 S 11/2010 Taylor et al.
 D627,600 S 11/2010 Eyal
 D627,601 S 11/2010 Eyal
 D627,602 S 11/2010 Eyal
 D627,603 S 11/2010 Eyal
 D627,604 S 11/2010 Eyal
 D629,880 S * 12/2010 Hisey D23/366
 D631,351 S * 1/2011 Coon D9/453
 D632,774 S * 2/2011 Hisey D23/366
 D638,295 S * 5/2011 Heidel D9/454
 D644,105 S * 8/2011 Thielman D9/452
 D648,177 S 11/2011 Eyal
 D649,403 S 11/2011 Eyal
 D650,235 S 12/2011 Eyal
 D651,045 S 12/2011 Eyal
 D651,853 S 1/2012 Eyal

D652,256 S 1/2012 Eyal
 D652,682 S 1/2012 Eyal
 D656,022 S * 3/2012 Thielman D9/435
 D661,945 S 6/2012 Eyal
 D662,361 S 6/2012 Eyal
 D662,776 S 7/2012 Eyal
 D664,002 S 7/2012 Eyal
 D664,809 S 8/2012 Eyal
 D665,621 S 8/2012 Eyal
 D684,813 S 6/2013 Eyal
 D686,073 S * 7/2013 Stull, Sr. D9/447
 D686,077 S * 7/2013 Stull, Sr. D9/447
 D700,808 S 3/2014 Eyal
 D703,536 S 4/2014 Eyal
 D713,685 S 9/2014 Eyal
 D713,686 S 9/2014 Eyal
 D715,100 S 10/2014 Eyal
 8,863,650 B2 10/2014 Lin
 D727,099 S 4/2015 Eyal
 D727,102 S 4/2015 Eyal
 D728,311 S 5/2015 Eyal
 D732,889 S 6/2015 Eyal
 D733,068 S 6/2015 Johnson
 D736,624 S * 8/2015 Berlepsch D9/451
 D740,072 S 10/2015 Eyal
 D740,610 S 10/2015 Eyal
 D751,694 S * 3/2016 Shubin, Sr. D24/121
 D751,863 S 3/2016 Eyal
 D754,541 S * 4/2016 Jasso Gomez D9/451
 9,302,824 B2 4/2016 Eyal
 D755,561 S 5/2016 Eyal
 D758,192 S 6/2016 Eyal
 9,463,910 B2 10/2016 Schandl
 9,521,918 B2 12/2016 Coon et al.
 D781,708 S * 3/2017 Jasso Gomez D9/451
 2005/0189379 A1 * 9/2005 Py G01F 11/021
 222/321.7
 2006/0000792 A1 * 1/2006 Hennebelle B65D 41/0414
 215/228
 2007/0196542 A1 * 8/2007 Rathbone A23G 3/563
 426/106
 2008/0237278 A1 * 10/2008 Gaus B65D 47/2031
 222/630
 2015/0136771 A1 5/2015 Eyal

OTHER PUBLICATIONS

Web page showing a salad dressing shaker; <https://www.oxo.com/products/preparing/fruit-vegetable-tools/salad-dressing-shaker-green-1138>; printed on May 1, 2017.
 Web page showing classic shampoo disk cap; <https://www.aliexpress.com/item/50pcs-lot-60ml-liquid-cream-container-with-disk-cap-2oz-shampoo-bottle/32707792452.html?>; printed on May 1, 2011.
 Miscellaneous pictures of bottle tops.

* cited by examiner

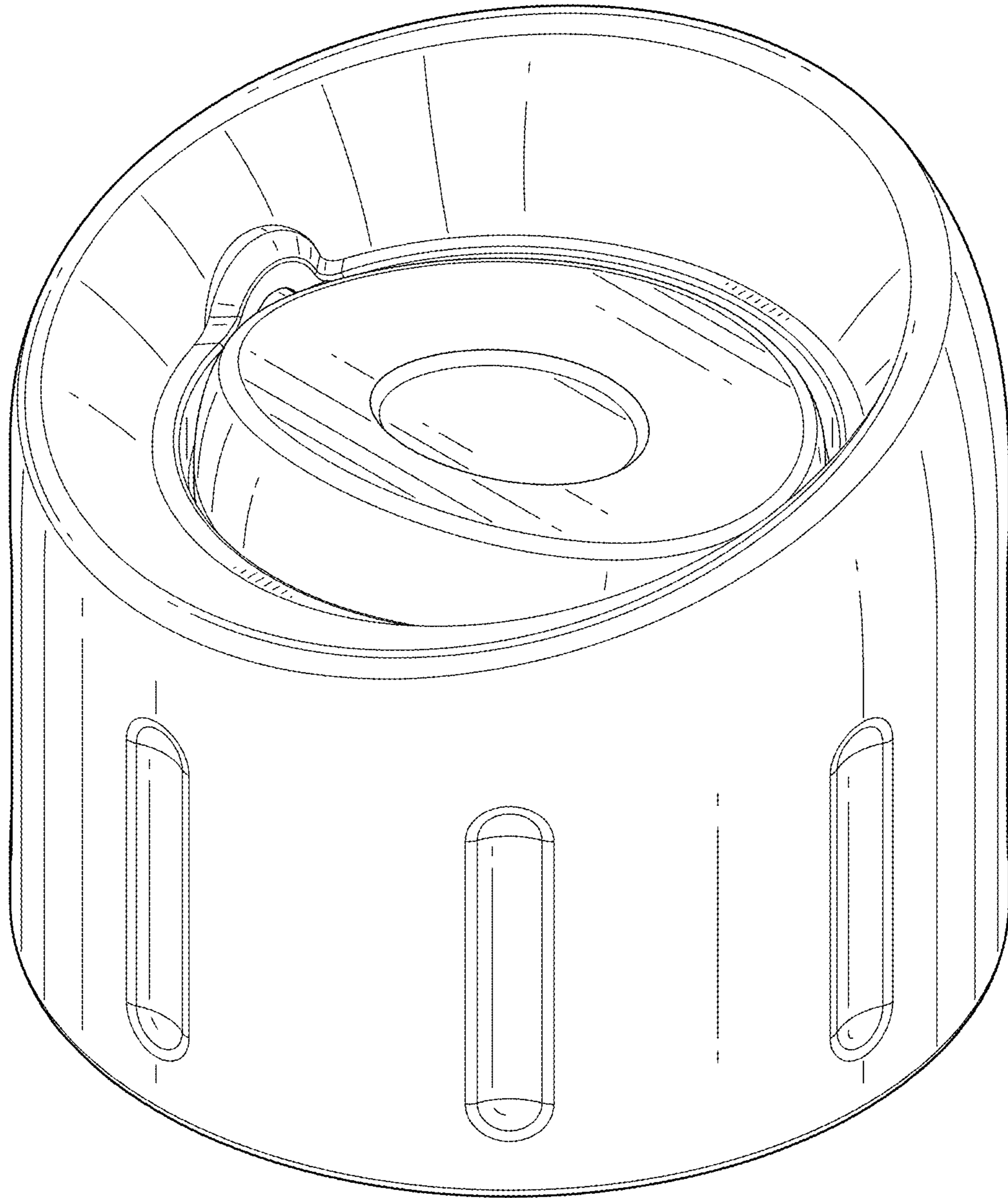


FIG. 1

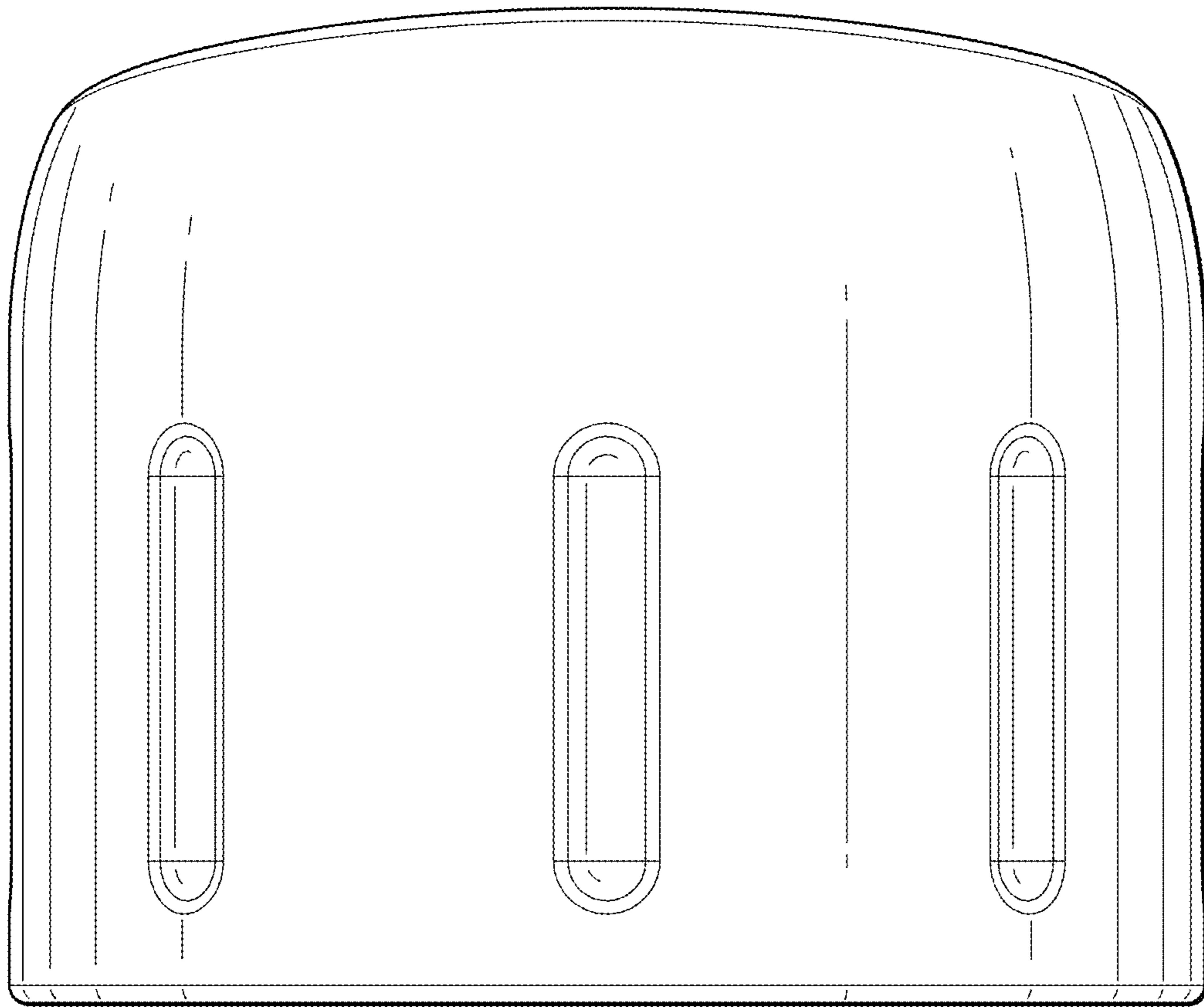


FIG. 2

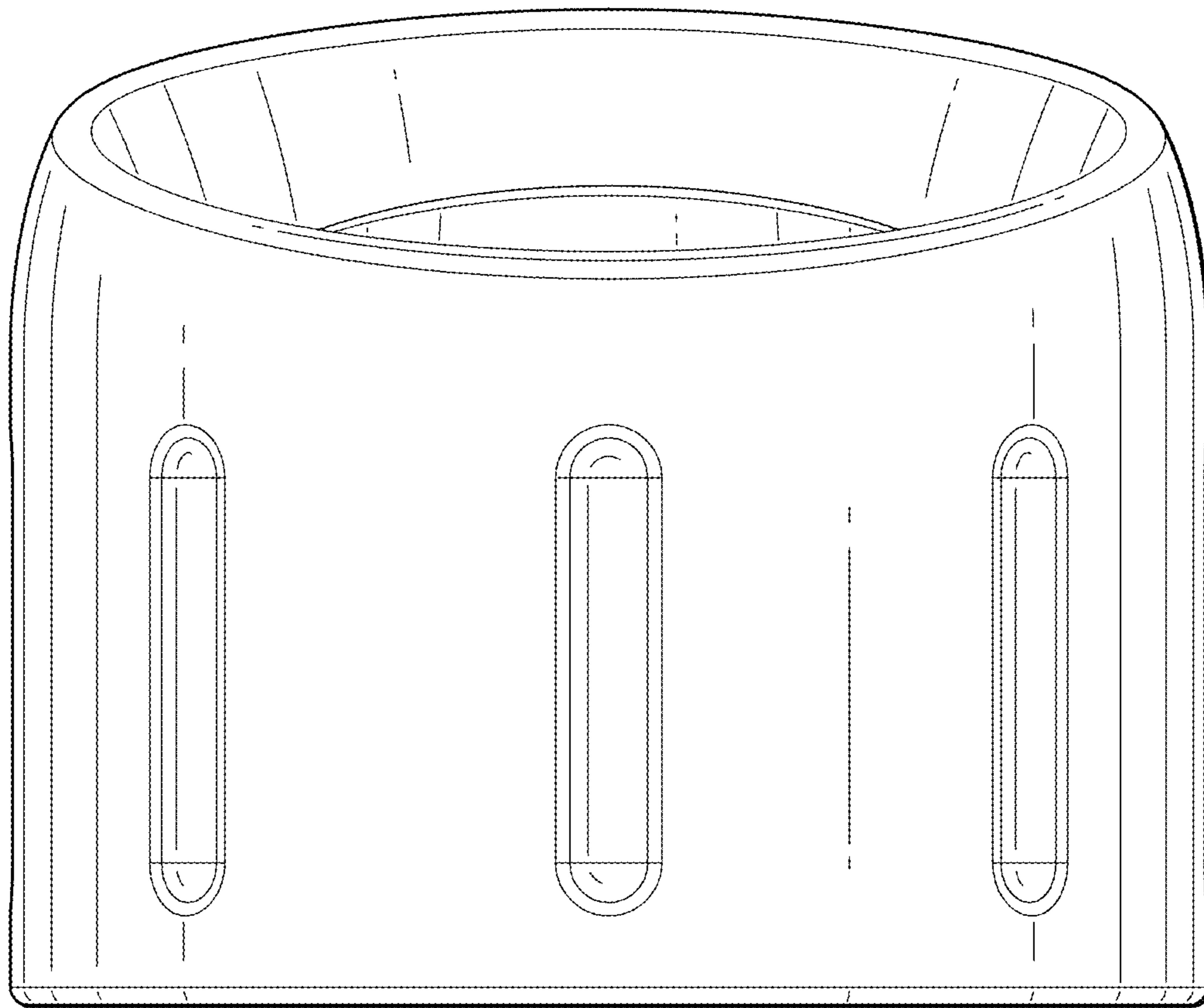


FIG. 3

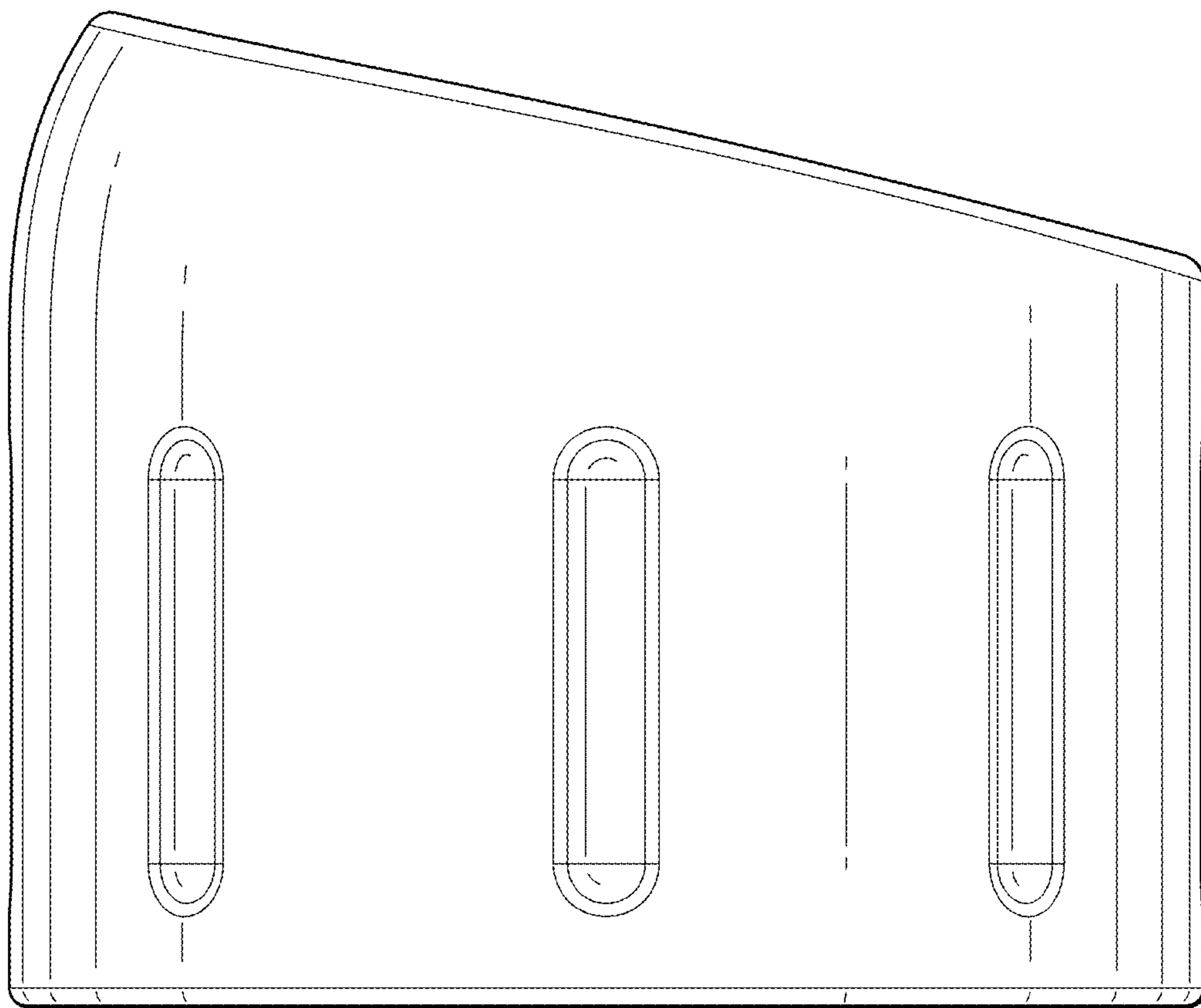


FIG. 4

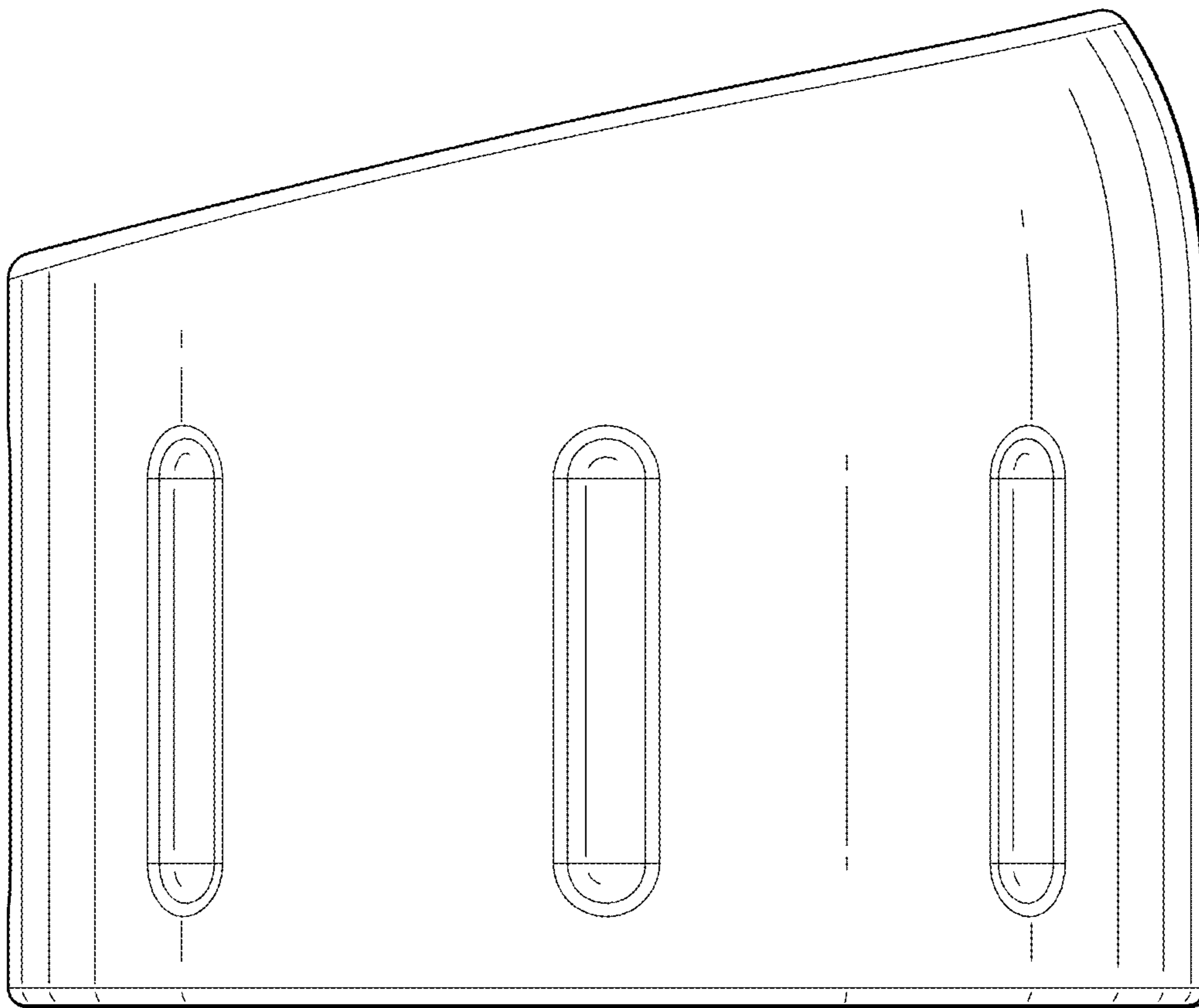


FIG. 5

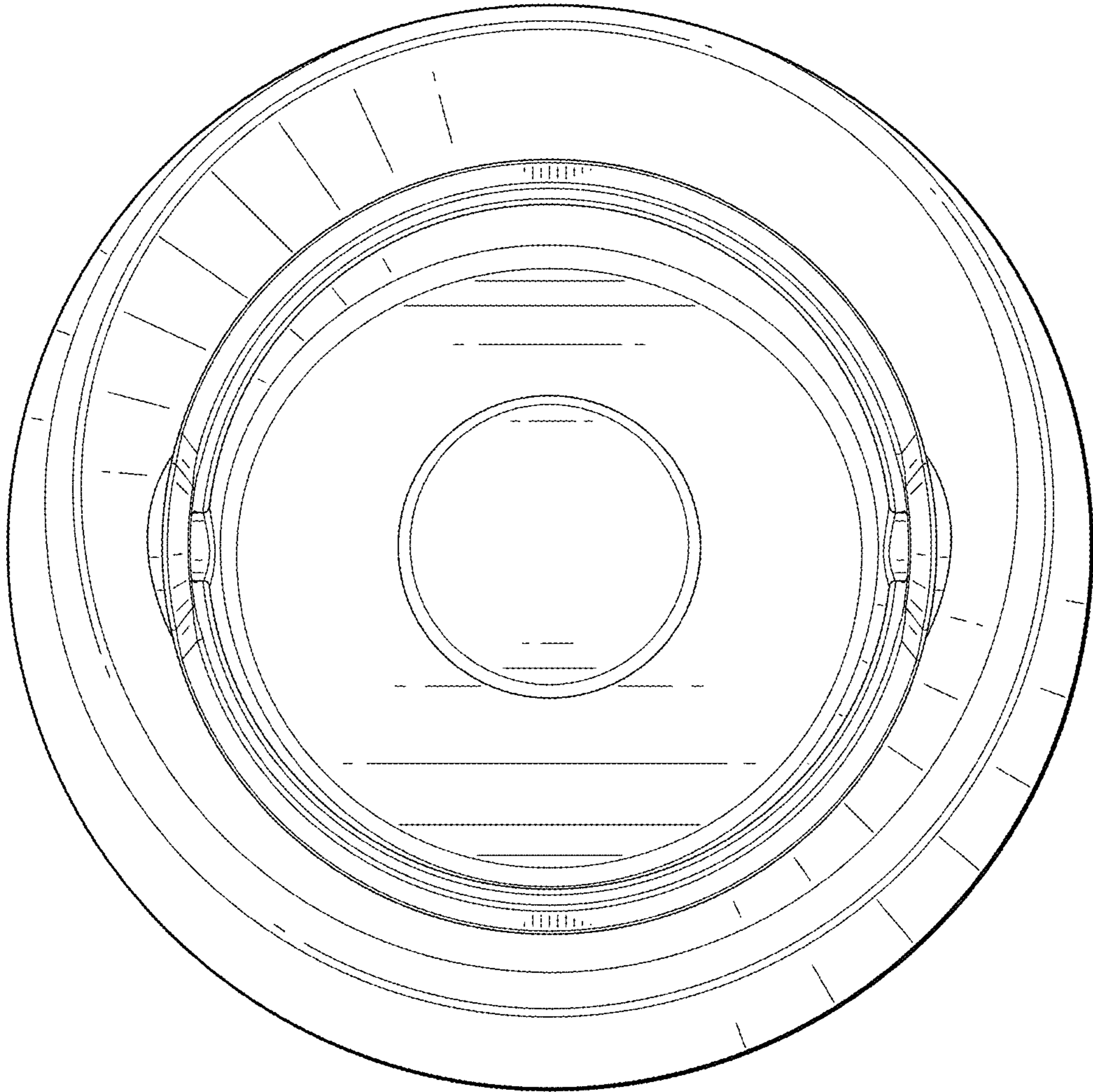


FIG. 6

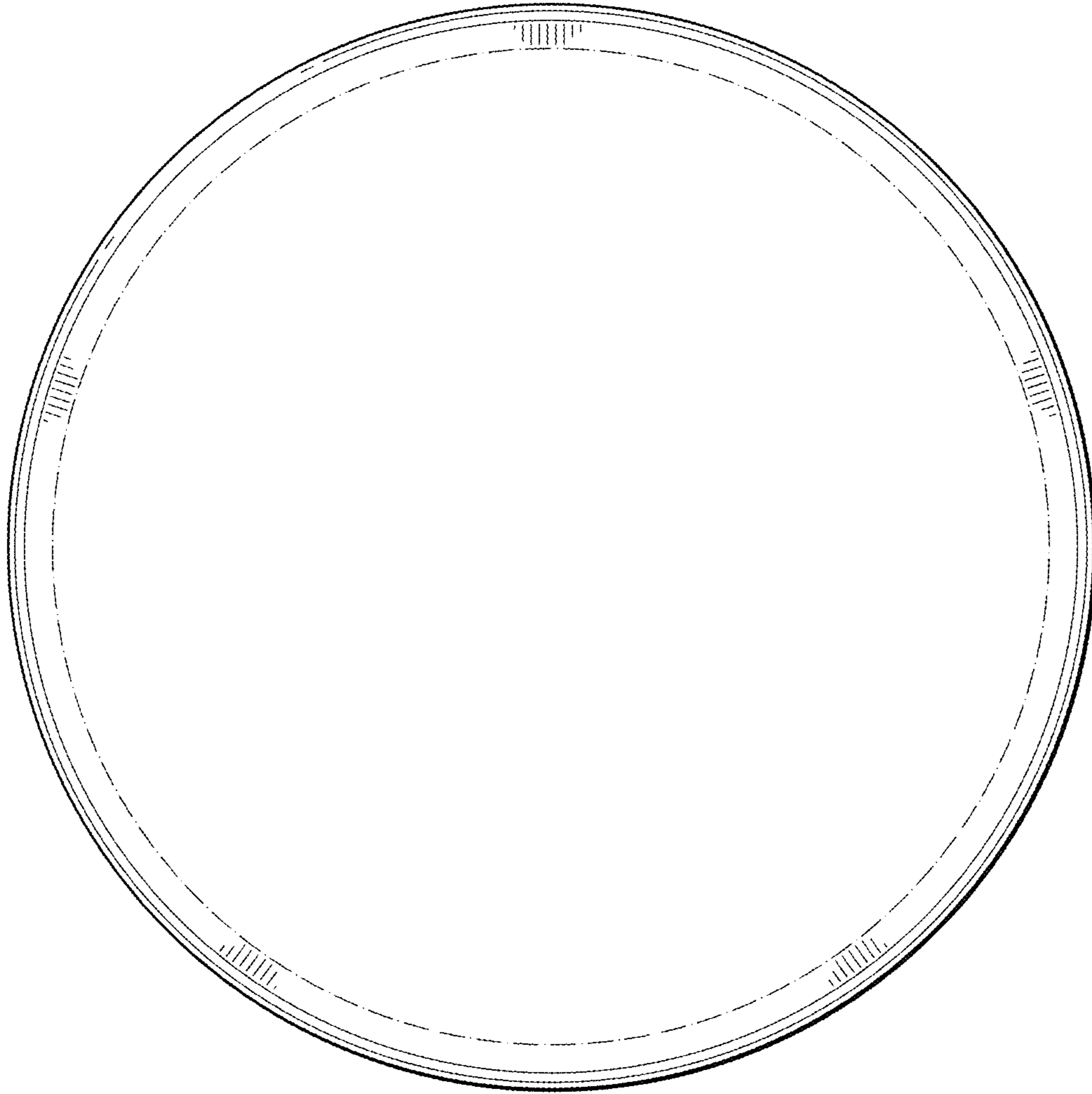


FIG. 7

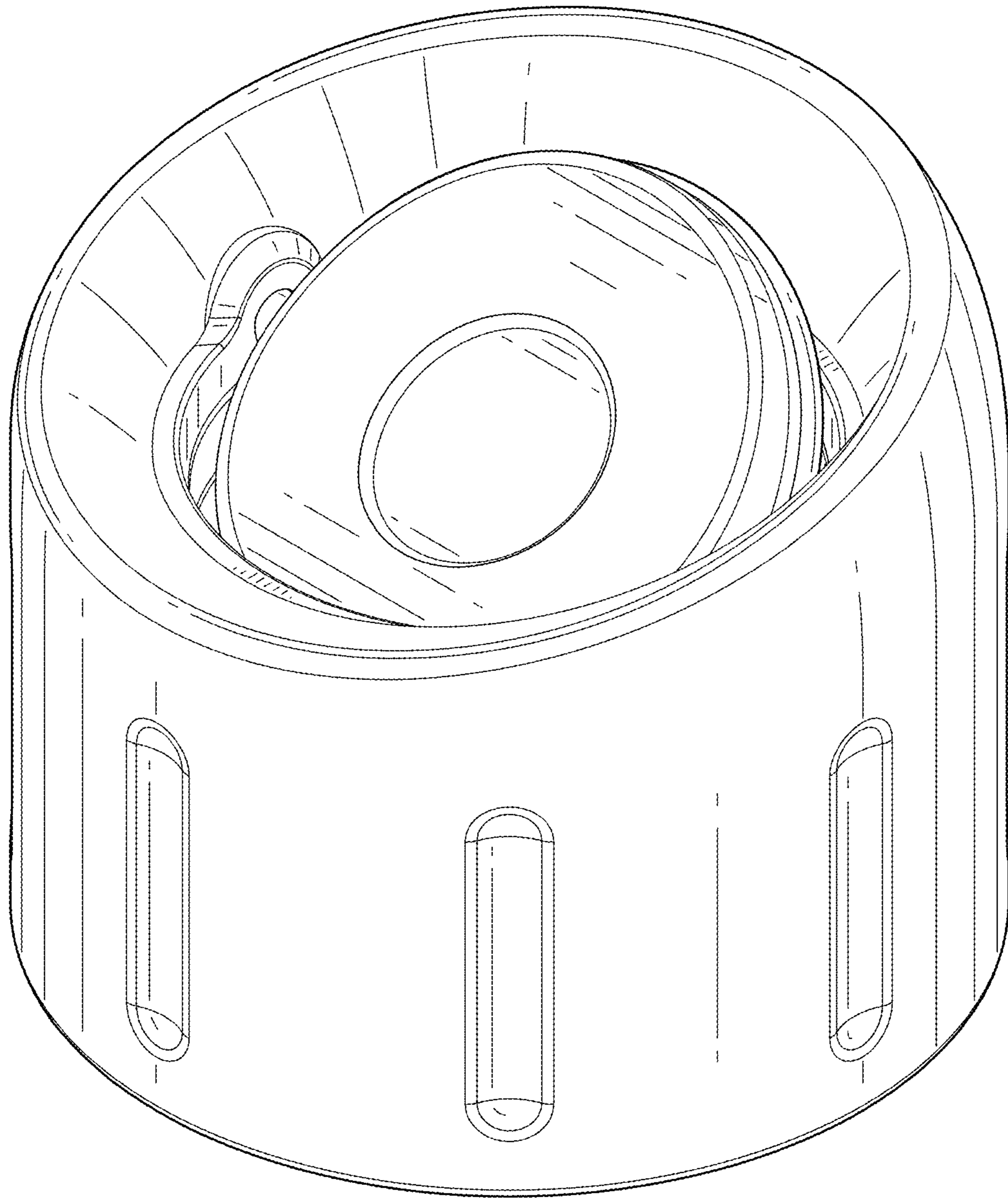


FIG. 8

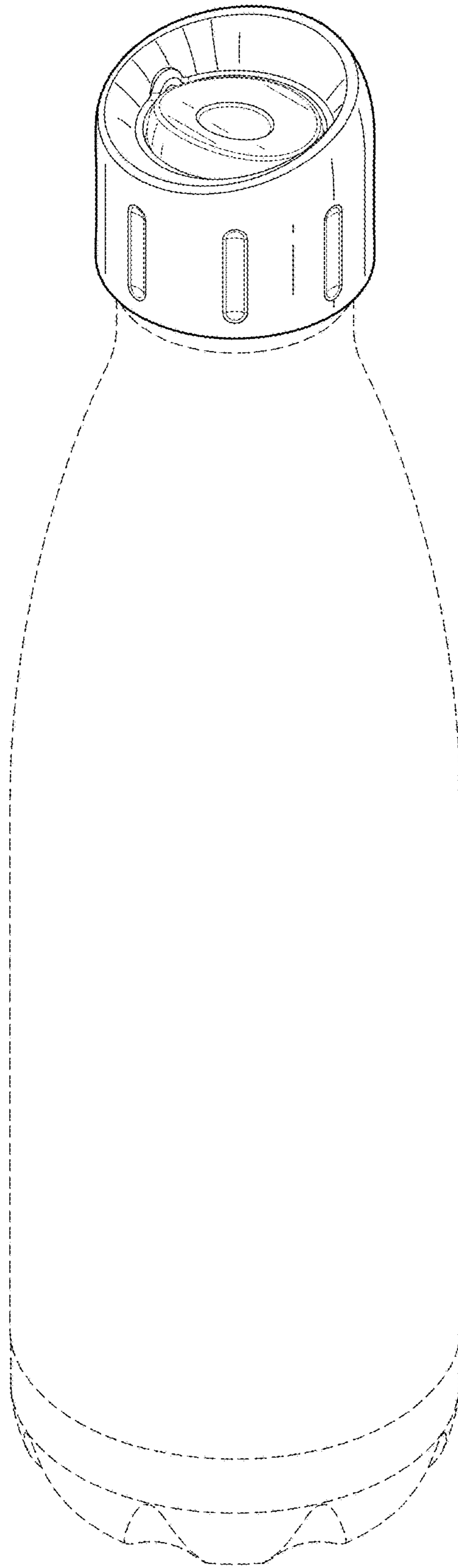


FIG. 9

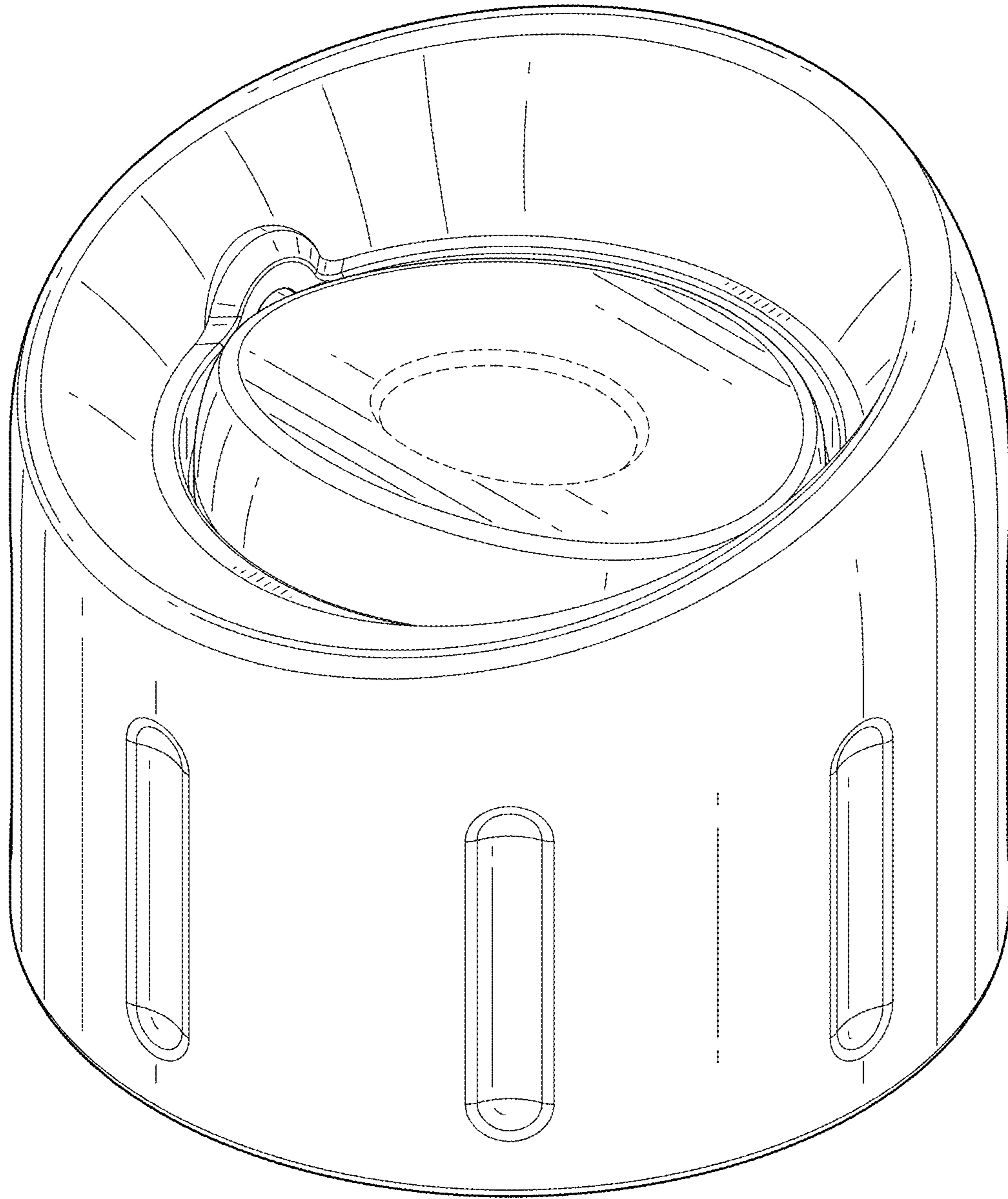


FIG. 10

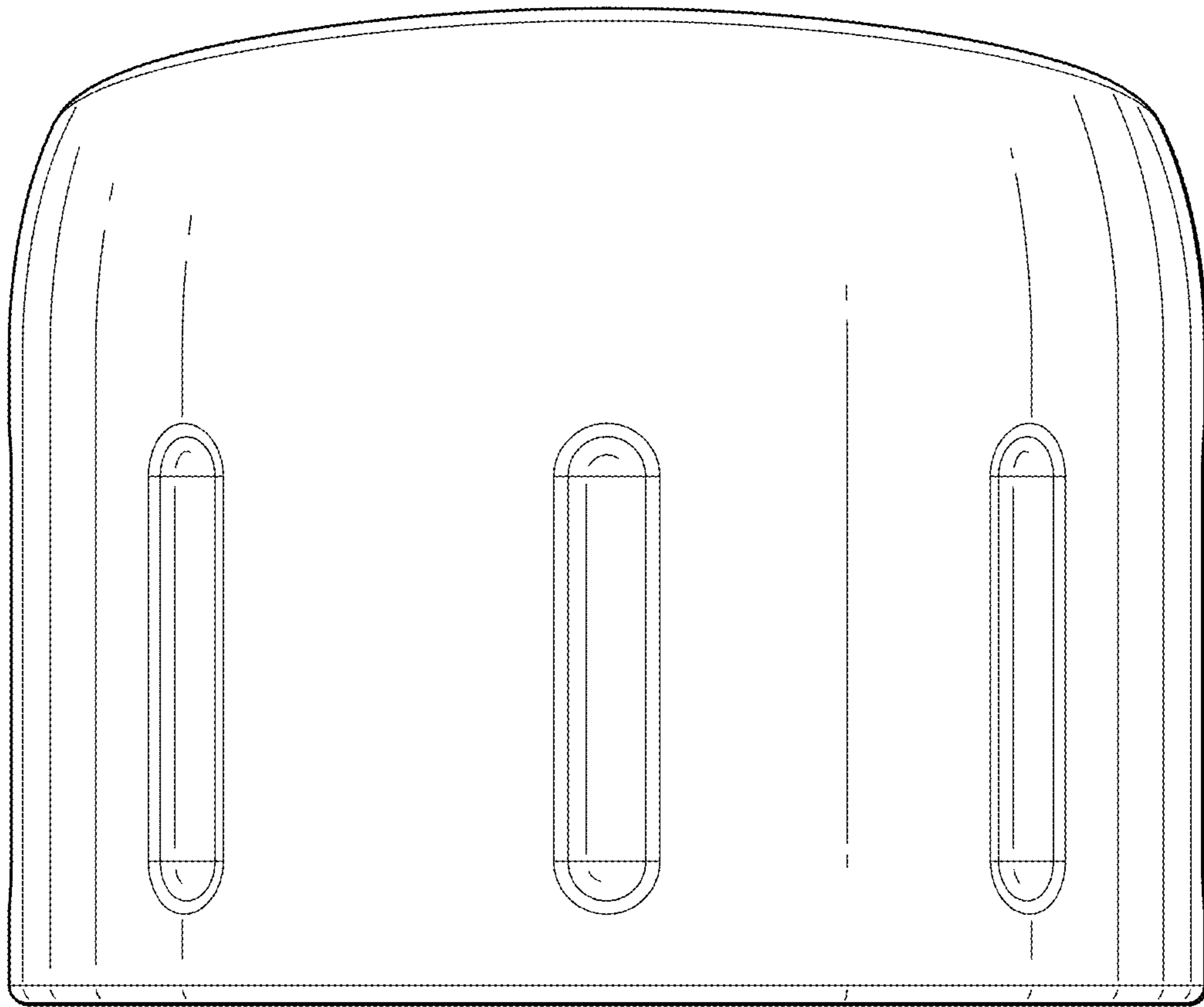


FIG. 11

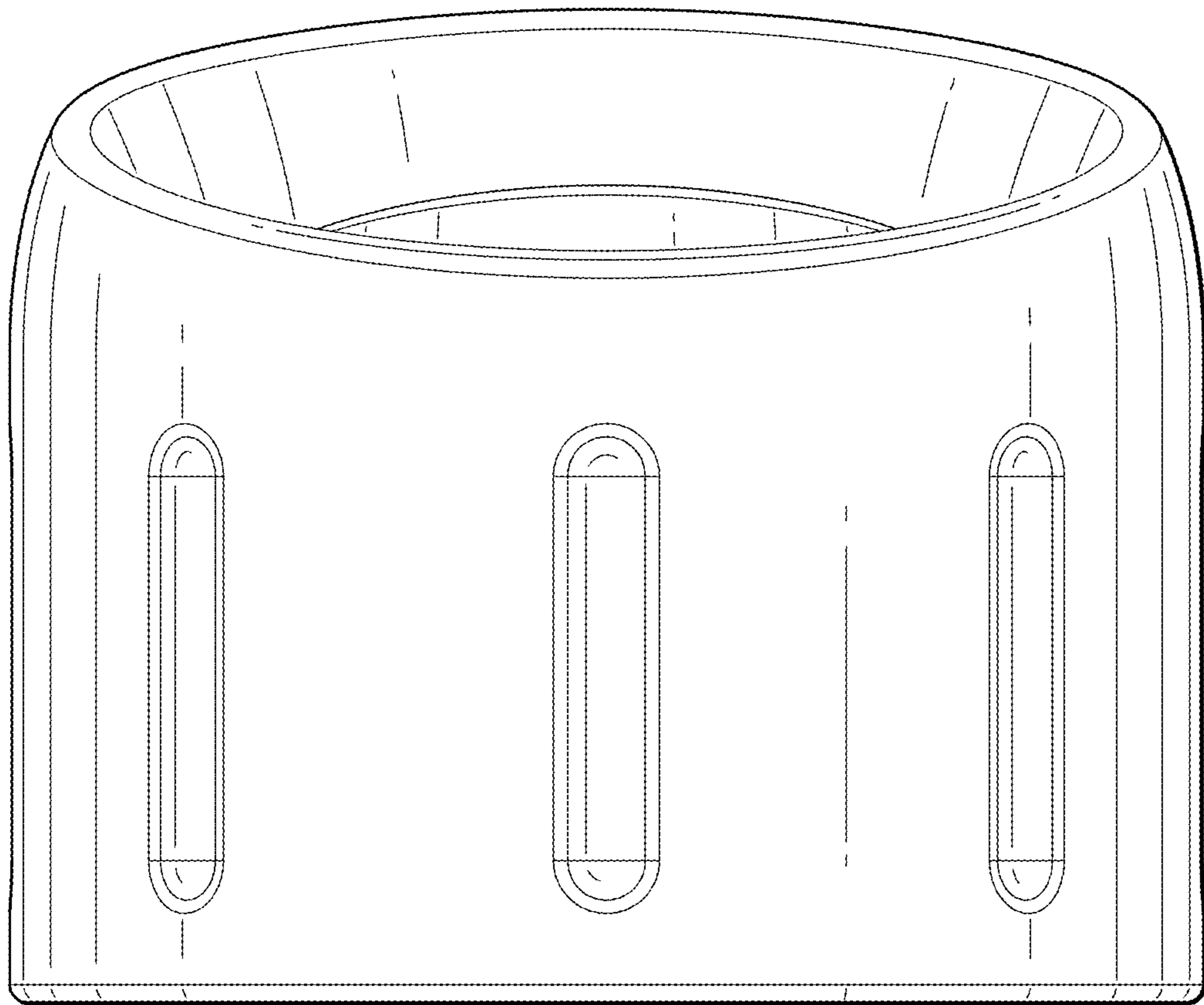


FIG. 12

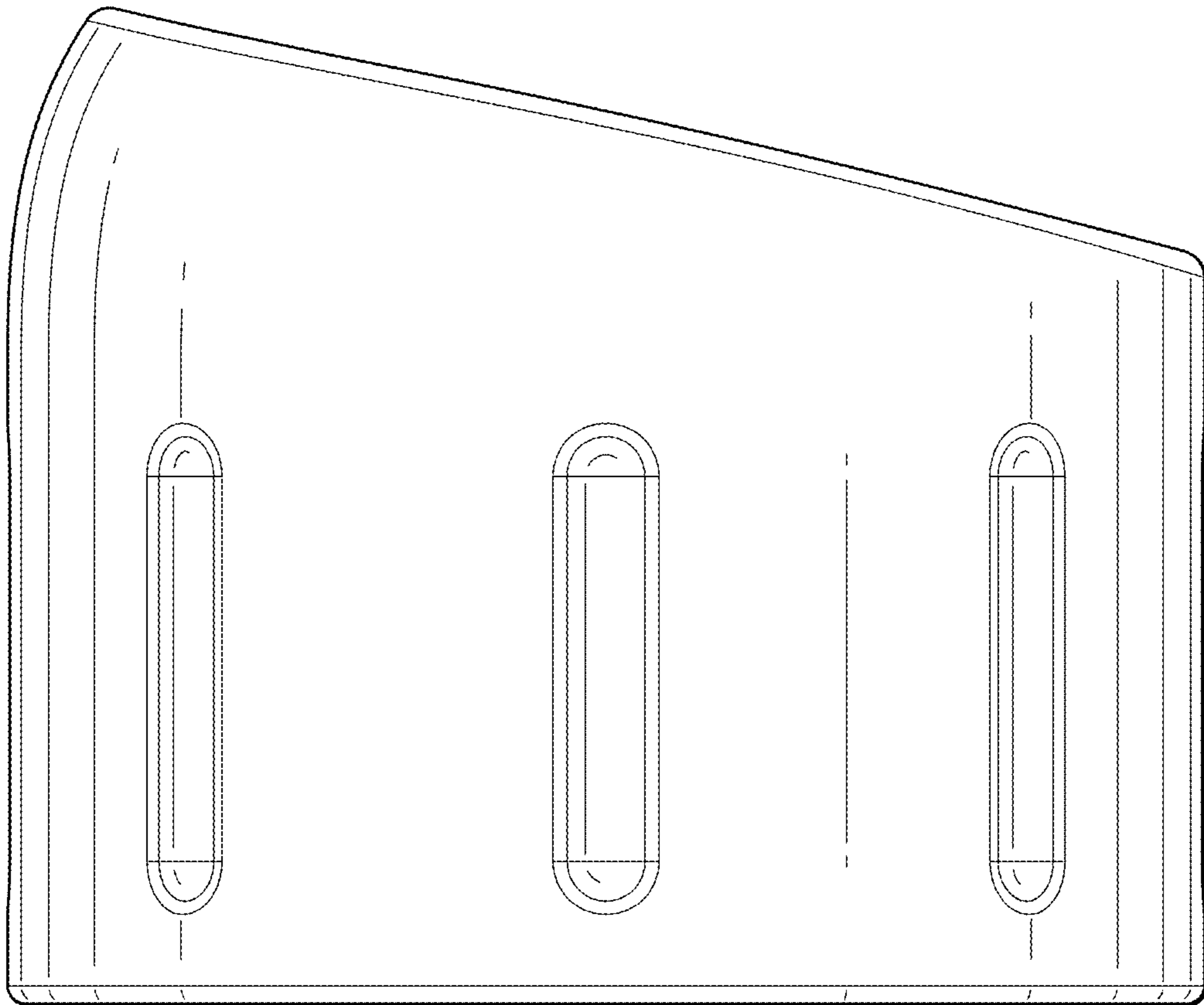


FIG. 13

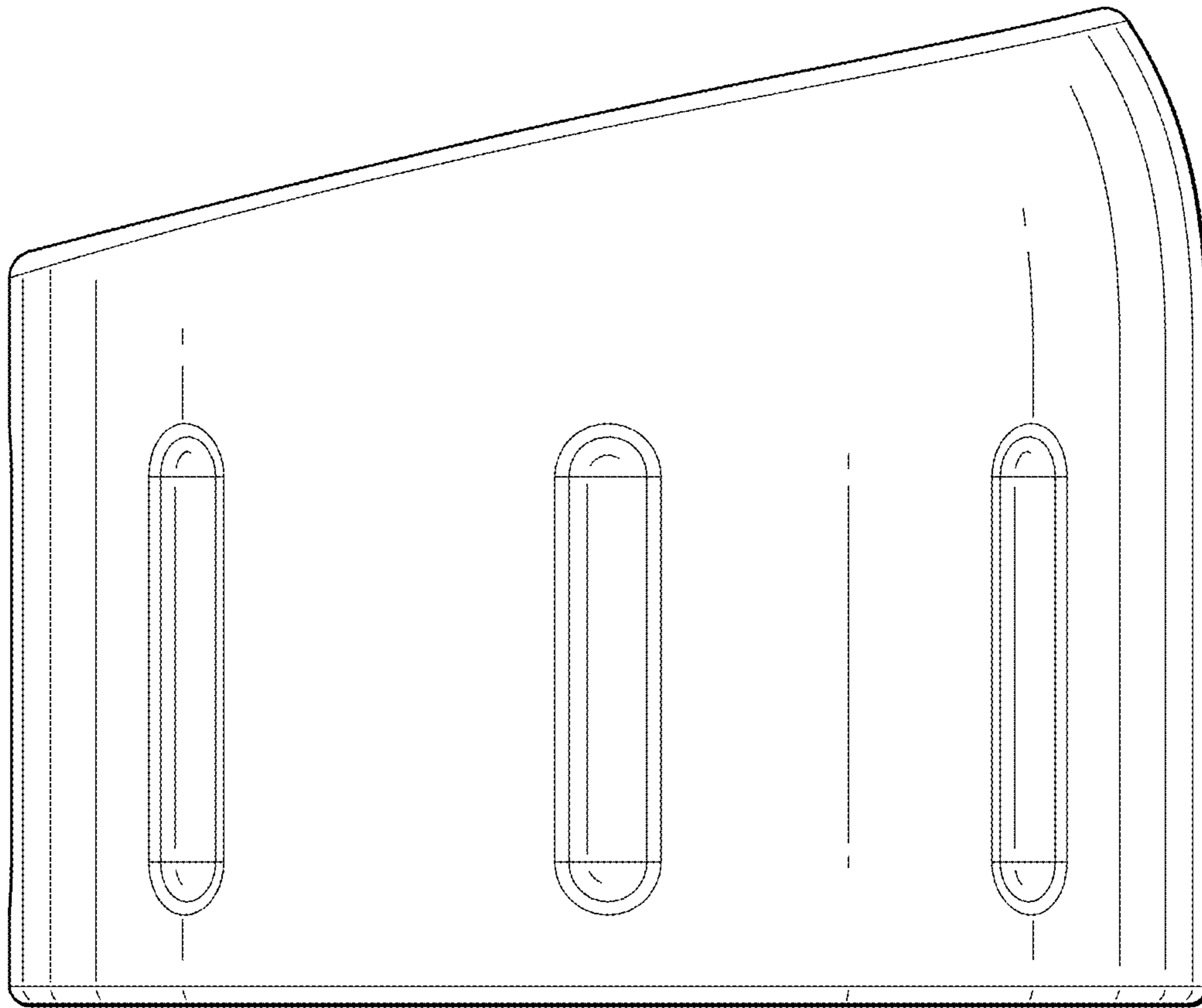


FIG. 14

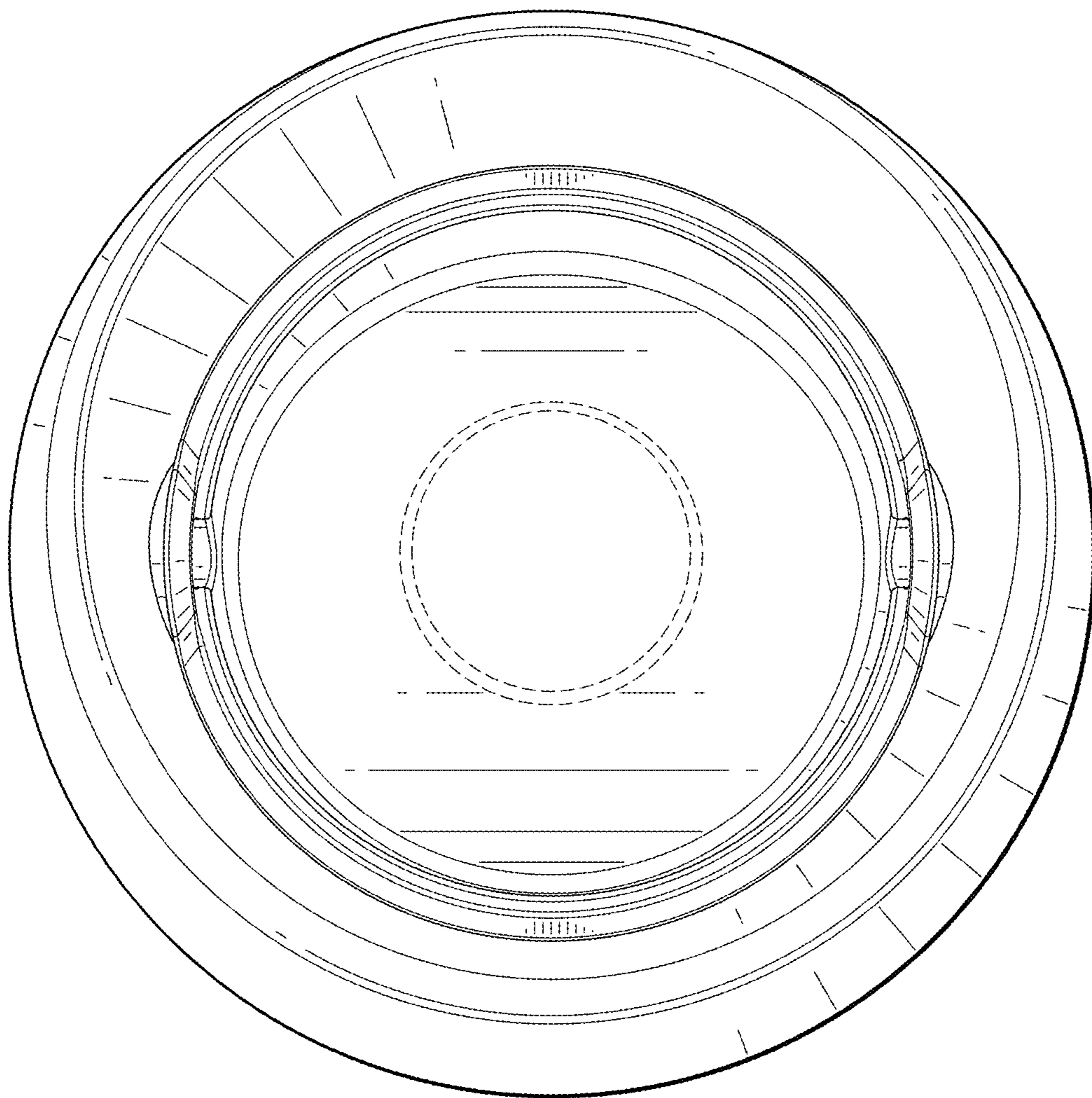


FIG. 15

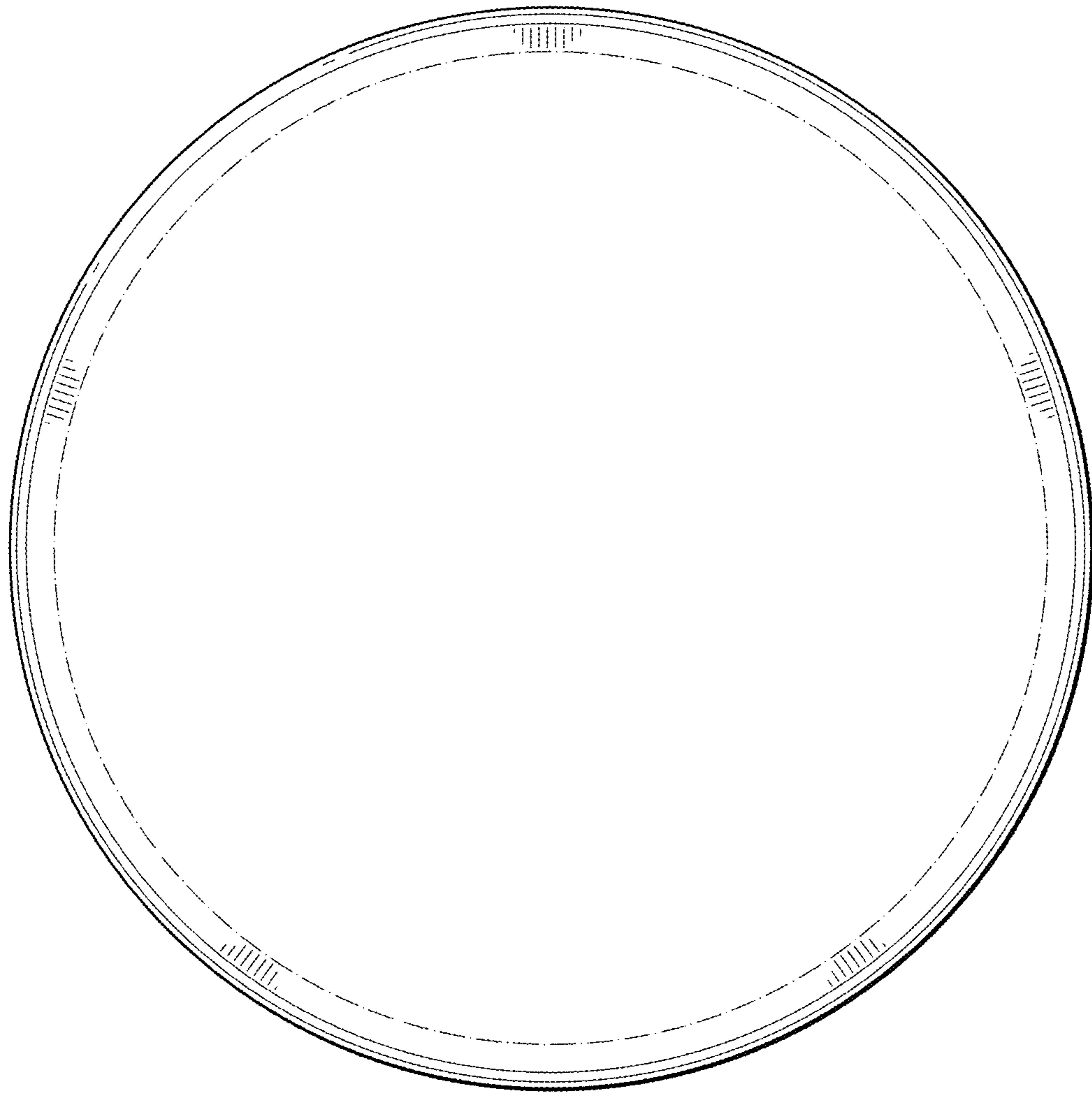


FIG. 16

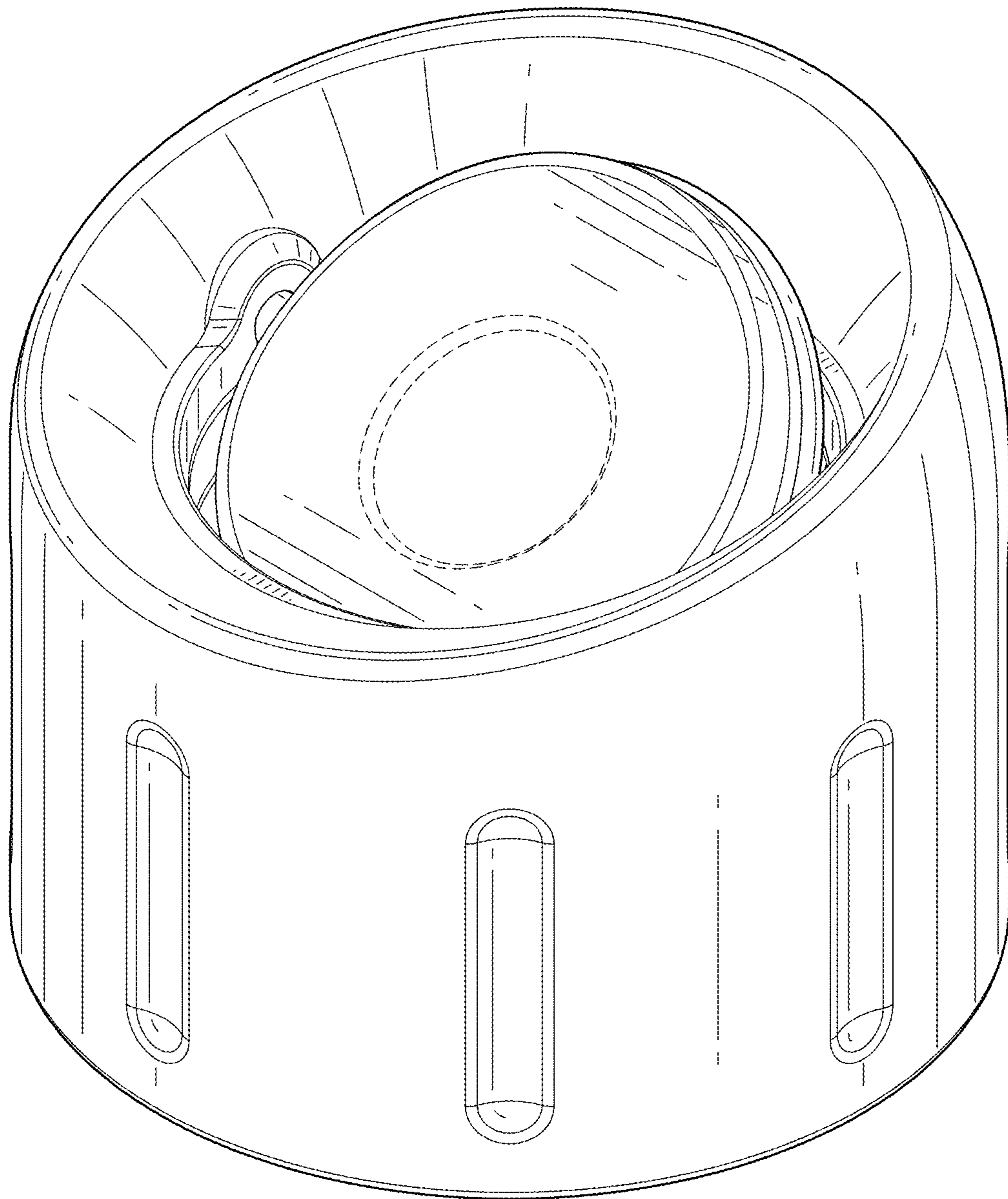


FIG. 17

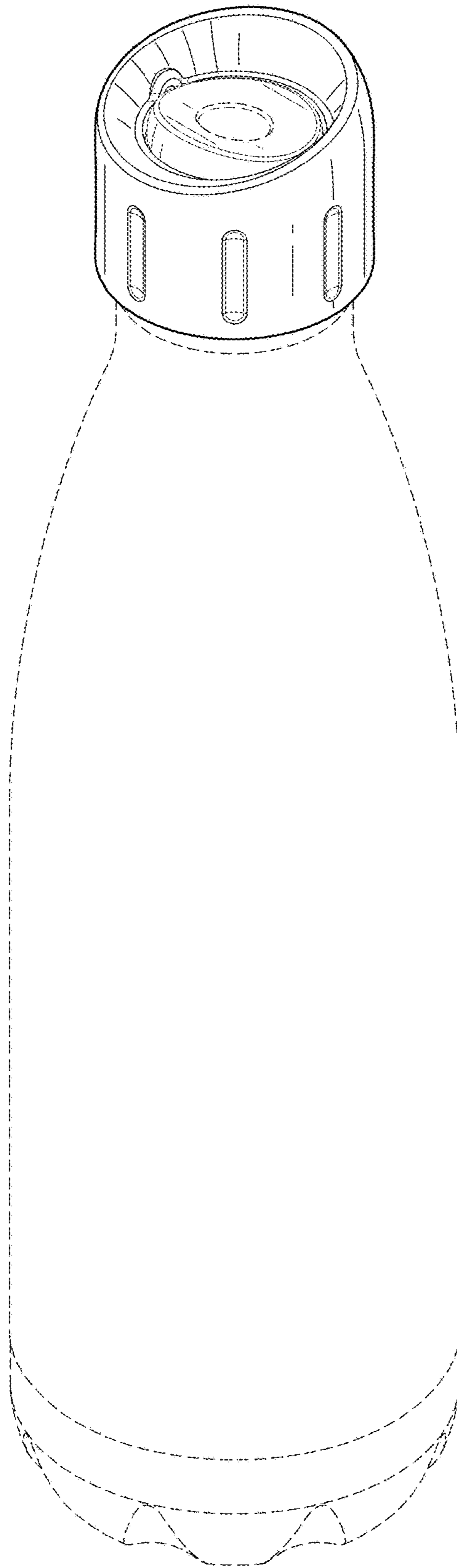


FIG. 18