



US00D806544S

(12) **United States Design Patent**
Williams

(10) **Patent No.:** **US D806,544 S**
(45) **Date of Patent:** **** Jan. 2, 2018**

(54) **CAP COVER**

(71) Applicant: **K&N Engineering, Inc.**, Riverside, CA (US)

(72) Inventor: **Steve Williams**, Beaumont, CA (US)

(73) Assignee: **K&N Engineering, Inc.**, Riverside, CA (US)

(**) Term: **15 Years**

(21) Appl. No.: **29/561,885**

(22) Filed: **Apr. 20, 2016**

(51) **LOC (11) Cl.** **09-01**

(52) **U.S. Cl.**
USPC **D9/445; D12/197**

(58) **Field of Classification Search**
USPC D9/428, 429, 434, 435, 442, 443, D9/445-450, 453-456, 499, 682, 684, D9/685; D7/387, 388, 392, 392.1, 393, D7/396.2, 396.3, 396.4, 401.1, 408, 504, D7/507, 509-511, 538, 900; D3/202, D3/203.2, 318; D28/91.1; D23/249, 260; D8/397; D12/197

CPC .. A61J 1/00; A61J 1/1412; B65D 1/00; B65D 1/02; B65D 1/10; B65D 1/46; B65D 2585/56; B65D 2585/545; B65D 41/00; B65D 41/38; B65D 41/56; B65D 41/62; B65D 47/00; B65D 47/06; B65D 47/08; B65D 2543/00046; B65D 2543/00092; B65D 2543/00296; B65D 5/46; B65D 2251/00

See application file for complete search history.

D202,938 S * 11/1965 Danks D9/453
D231,774 S * 6/1974 McLaughlin 222/402.13
4,337,875 A * 7/1982 Lyons B65D 51/1611
220/368
D281,953 S * 12/1985 Newman D8/397
D364,564 S * 11/1995 Moore D9/429
D422,255 S * 4/2000 Gonzales D12/197
D547,172 S * 7/2007 Kent D8/397
D548,075 S * 8/2007 Mavin D9/435
D551,972 S * 10/2007 Jacobs D9/445
D566,640 S * 4/2008 Holz D12/197
D662,869 S * 7/2012 Ballard D12/213
D679,596 S * 4/2013 Stull, Sr. D9/452
D735,567 S * 8/2015 Kishida D8/387
D738,491 S * 9/2015 Foley D24/121
D739,233 S * 9/2015 Antal, Sr. D9/435
D741,996 S * 10/2015 Strong D24/130
D749,197 S * 2/2016 von Lepel D23/260
D751,022 S * 3/2016 Chung D12/213
D760,088 S * 6/2016 Kaye D9/516
2014/0144913 A1 * 5/2014 Tiefenthaler B60K 15/0406
220/212.5

* cited by examiner

Primary Examiner — Karen S Acker
Assistant Examiner — Wendy Arminio
(74) *Attorney, Agent, or Firm* — Rutan & Tucker LLP;
Hani Z. Sayed

(57) **CLAIM**

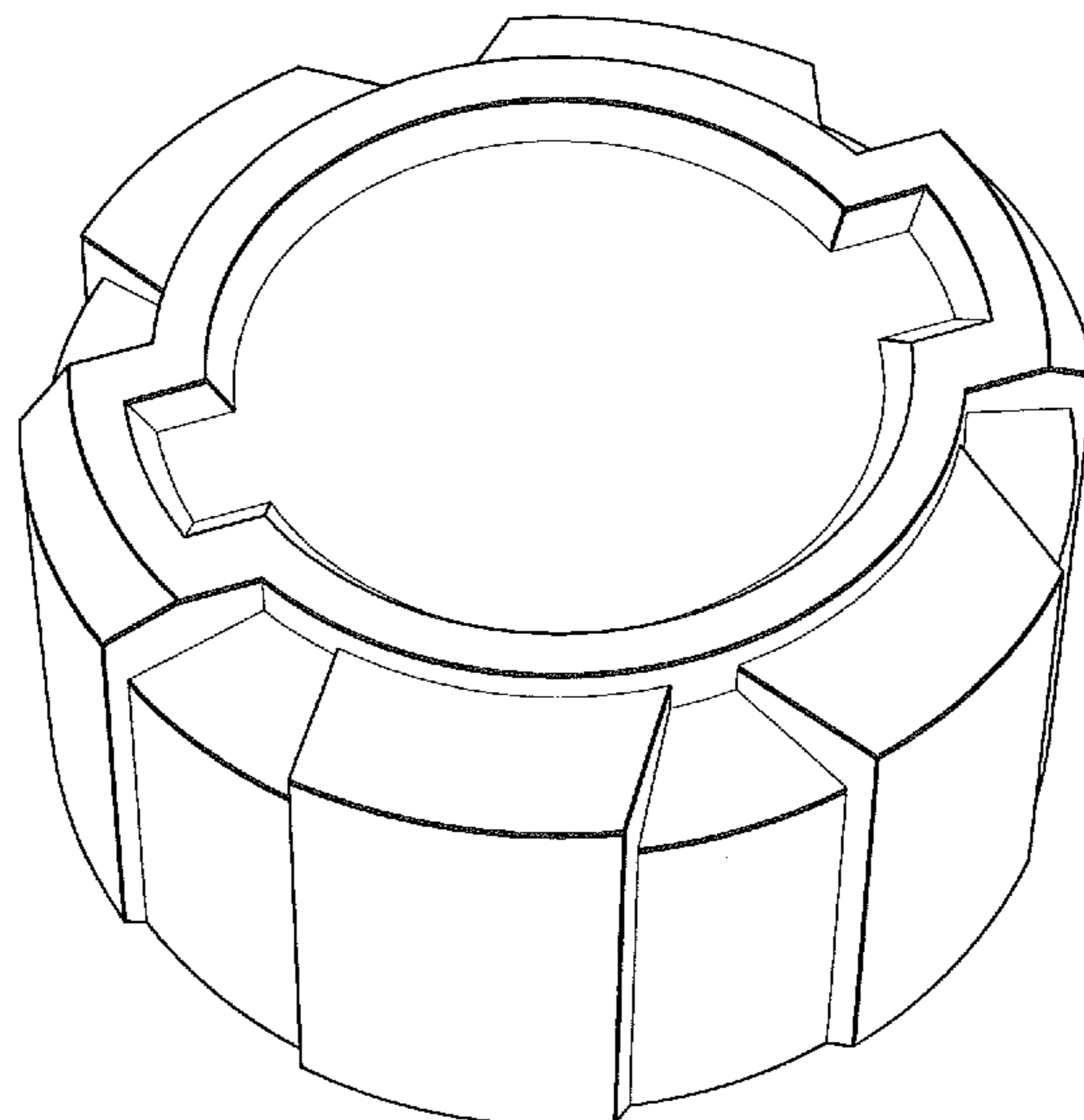
The ornamental design for a cap cover, as shown and described.

DESCRIPTION

FIG. 1—Top, front, left side perspective view;
FIG. 2—Front elevation view, the rear elevation view being identical;
FIG. 3—Right side elevation view, the left side elevation view being identical; and,
FIG. 4—Top plan view.

1 Claim, 2 Drawing Sheets

(56) **References Cited**
U.S. PATENT DOCUMENTS
D89,737 S * 5/1933 Barnes D9/453
D89,809 S * 5/1933 Von Till D8/DIG. 2



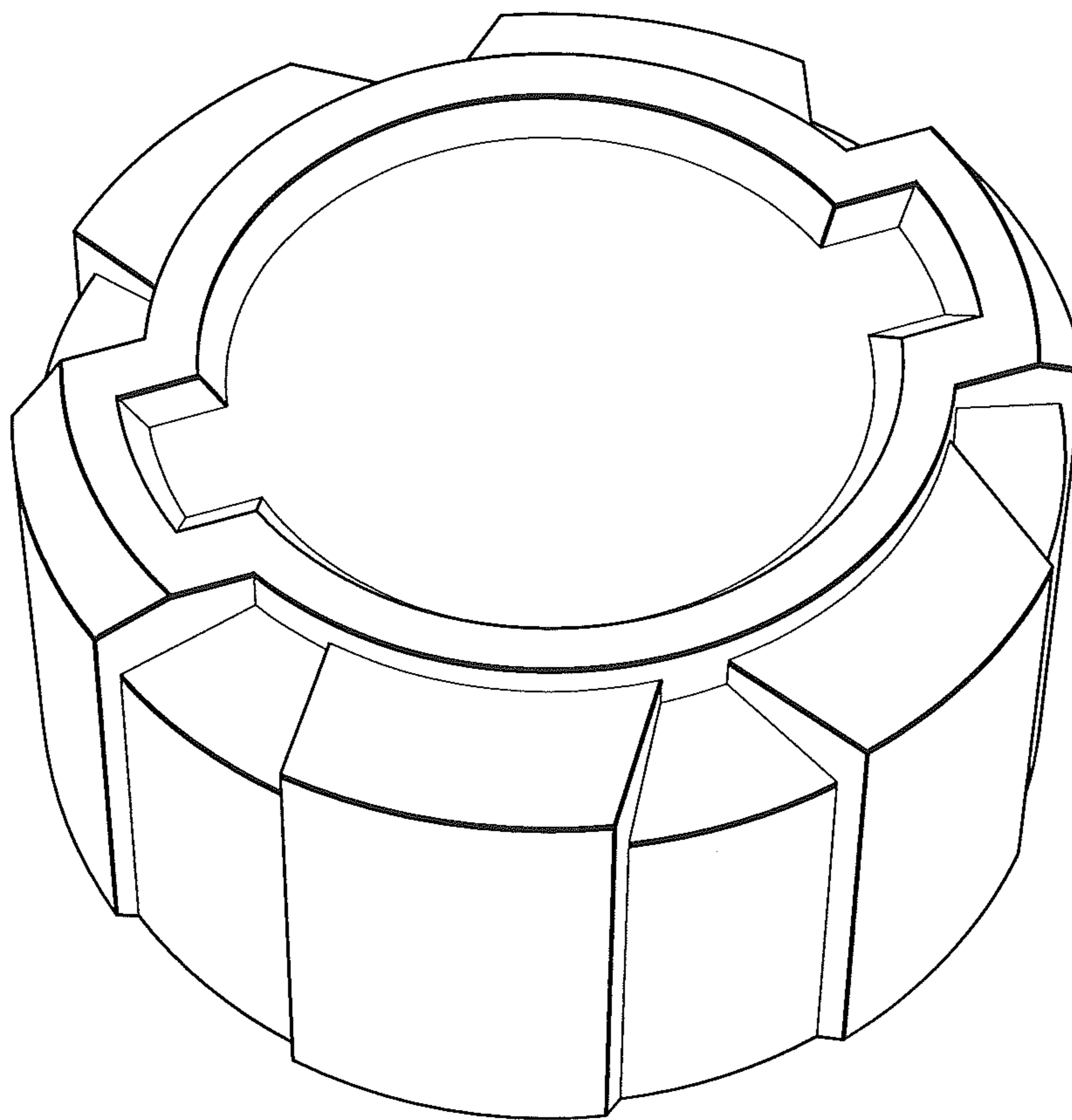


FIG. 1

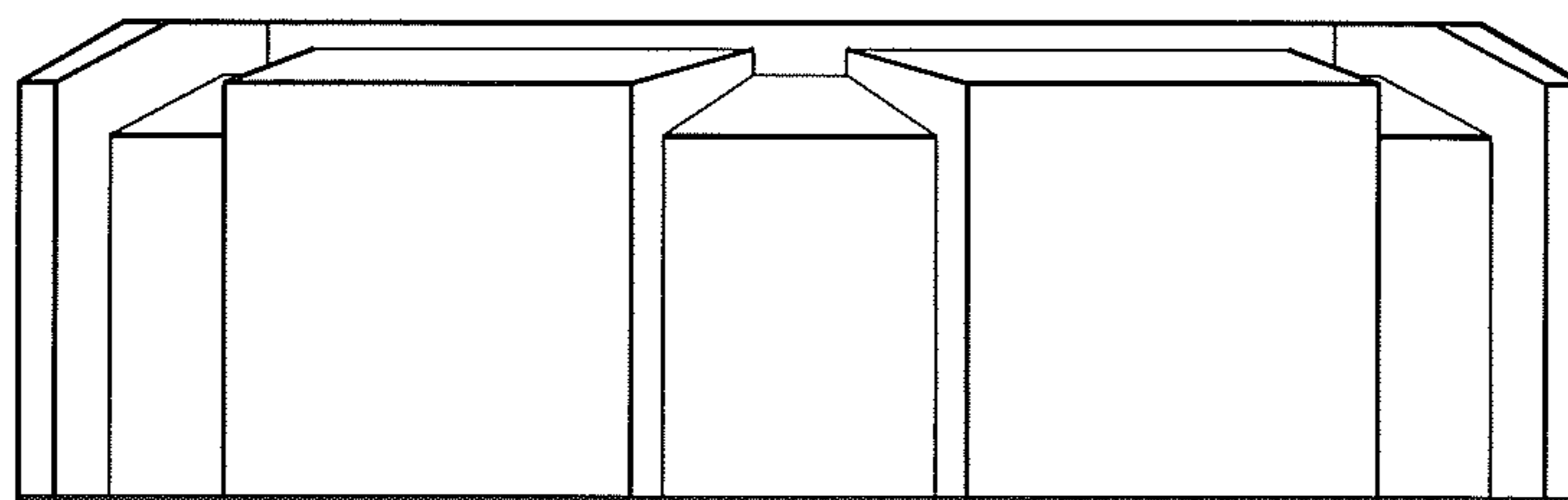


FIG. 2

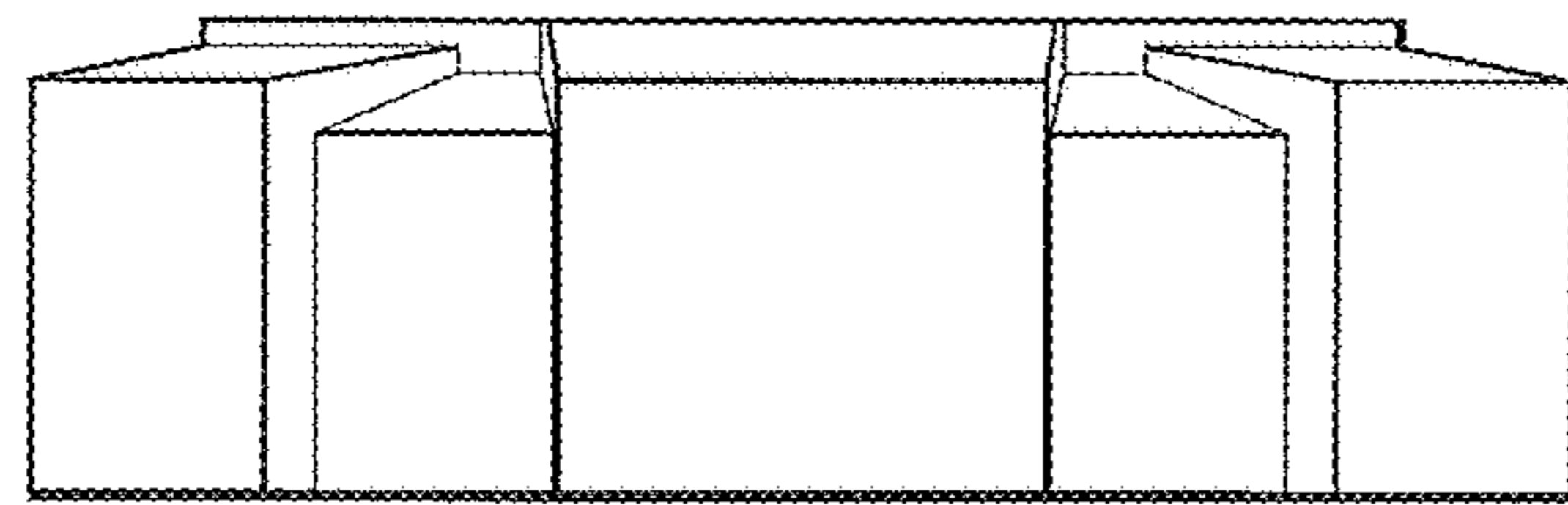


FIG. 3

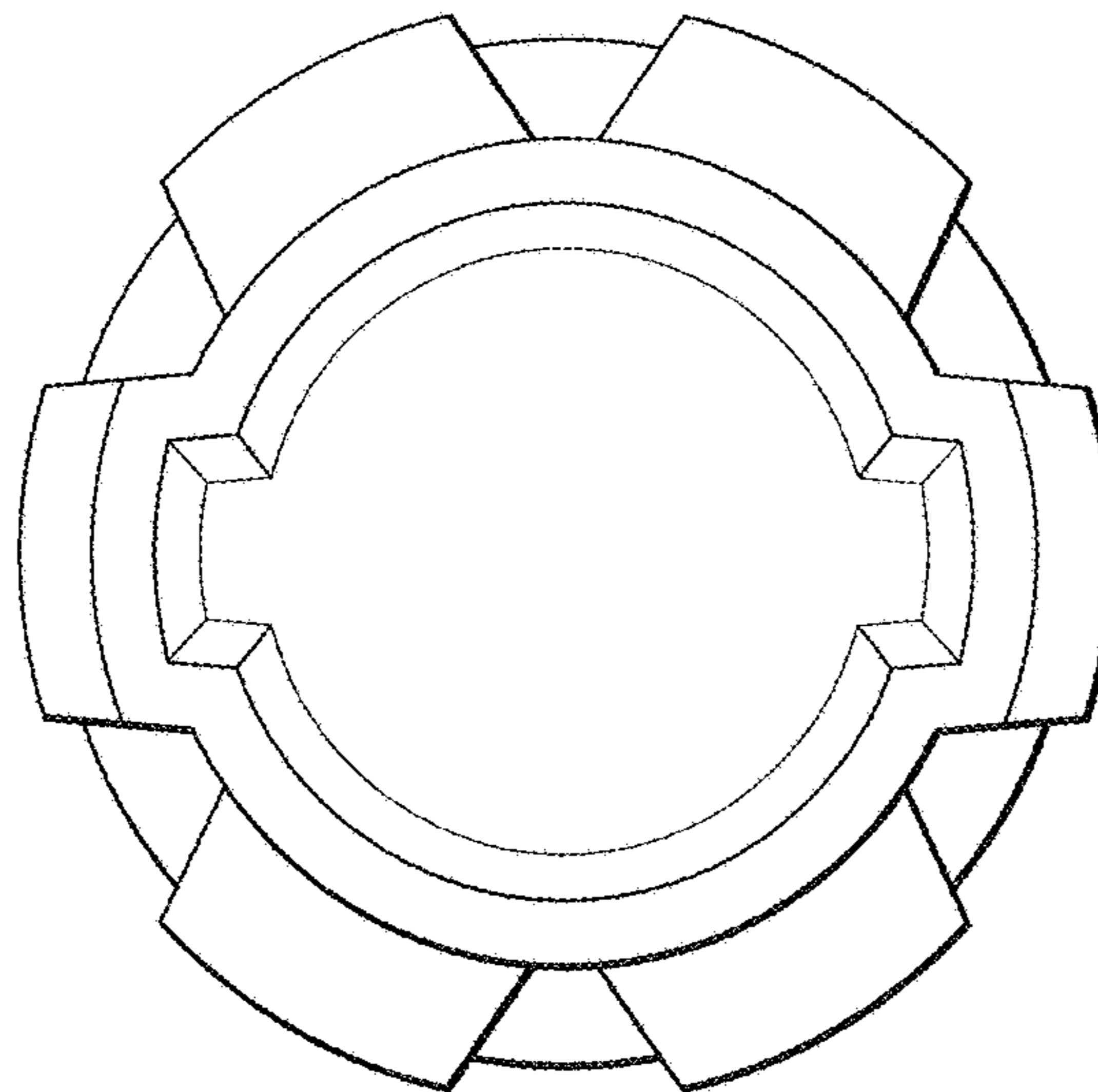


FIG. 4