



US00D806543S

(12) **United States Design Patent**
Finkbohner et al.

(10) **Patent No.:** **US D806,543 S**
(45) **Date of Patent:** **** Jan. 2, 2018**

(54) **CAP FOR CONTAINER**
(71) Applicant: **Innovative Molding**, Rohnert Park, CA (US)
(72) Inventors: **Christopher Steven Finkbohner**, Sebastopol, CA (US); **William G. Heimach**, Auburn, IN (US)
(73) Assignee: **INNOVATIVE MOLDING**, Rohnert Park, CA (US)

(**) Term: **15 Years**

(21) Appl. No.: **29/563,394**

(22) Filed: **May 4, 2016**

(51) **LOC (11) Cl.** **09-07**

(52) **U.S. Cl.**
USPC **D9/443; D9/454**

(58) **Field of Classification Search**
USPC D9/434, 435, 439, 440, 443, 445, 447, D9/448, 449, 454, 499
CPC B65D 39/00; B65D 41/00; B65D 50/048; B65D 41/28

See application file for complete search history.

(56) **References Cited**

U.S. PATENT DOCUMENTS

D138,003 S *	5/1944	Sharp	D9/447
D138,004 S *	5/1944	Sharp	D9/447
D139,762 S *	12/1944	Mudge	D9/447
2,913,140 A *	11/1959	Vuilleminot	B65D 21/022 206/508

D394,184 S *	5/1998	Demore	D7/391
D405,011 S *	2/1999	DeCoster	D9/447
D479,802 S *	9/2003	Arduini	D9/505
D513,985 S *	1/2006	Erdie	D9/439
D562,132 S *	2/2008	LaMasney	D9/439
D614,955 S *	5/2010	Cresswell	D9/447
D679,181 S *	4/2013	Vogel	D9/443
D686,074 S *	7/2013	Brinckerhoff	D9/443
D714,144 S *	9/2014	Vogel	D9/443
D733,491 S *	7/2015	Gluck	D7/392.1
D739,233 S *	9/2015	Antal, Sr.	D9/435

* cited by examiner

Primary Examiner — Robert M Spear
Assistant Examiner — Darcey E Heflin

(74) *Attorney, Agent, or Firm* — McDonald Hopkins LLC

(57) **CLAIM**

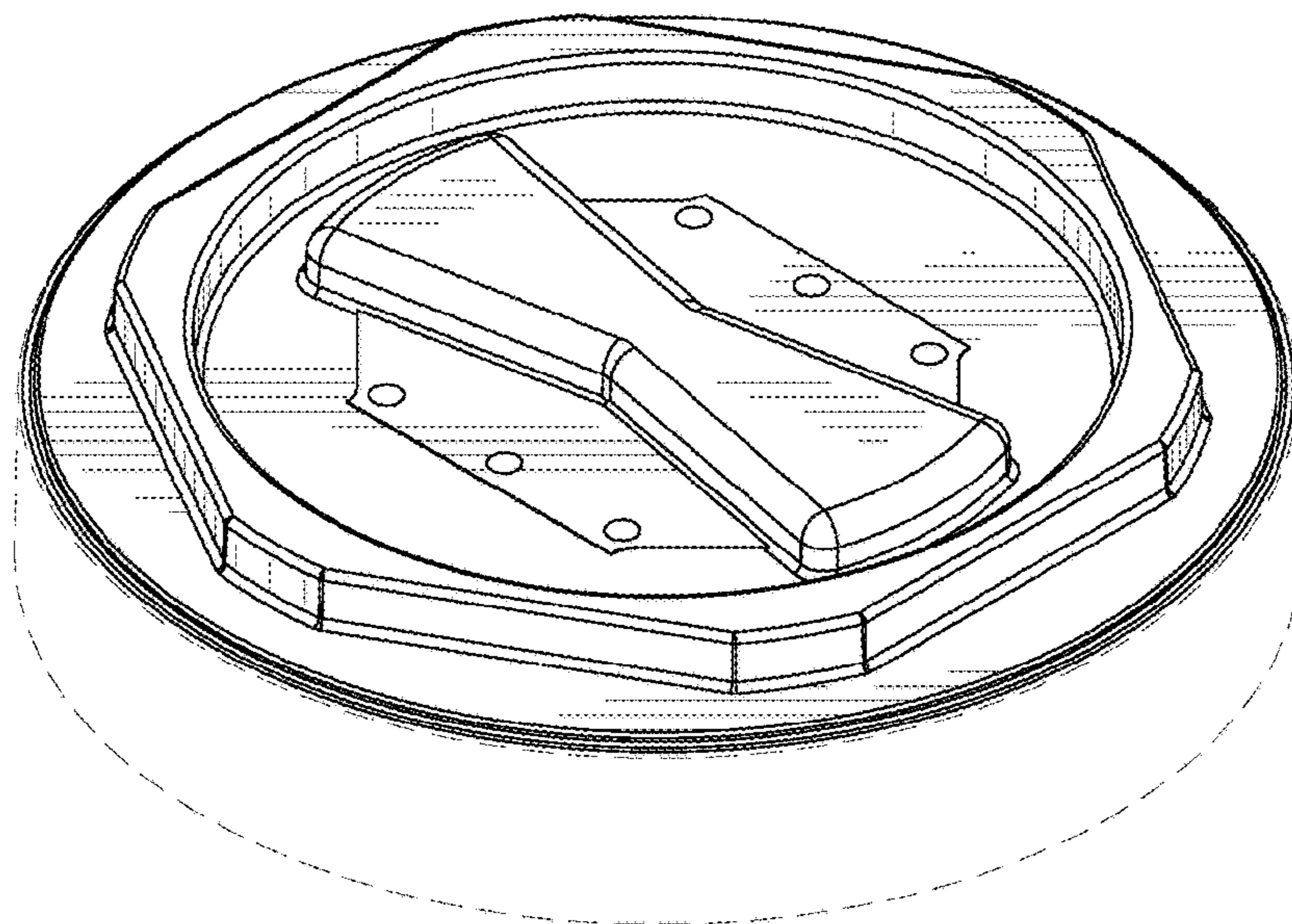
The ornamental design for a cap for container, as shown and described.

DESCRIPTION

FIG. 1 is a perspective view of a cap for container showing our new design with the cap sidewall in broken lines; FIG. 2 is a front elevational view thereof; FIG. 3 is a rear elevational view thereof; FIG. 4 is a left side elevational view thereof; FIG. 5 is a right side elevational view thereof; FIG. 6 is a top plan view thereof; and, FIG. 7 is a bottom plan view thereof.

The broken lines in the drawings depict environmental subject matter only and form no part of the claimed design. The broken lines immediately adjacent elements shown in solid lines represent the claim boundaries.

1 Claim, 5 Drawing Sheets



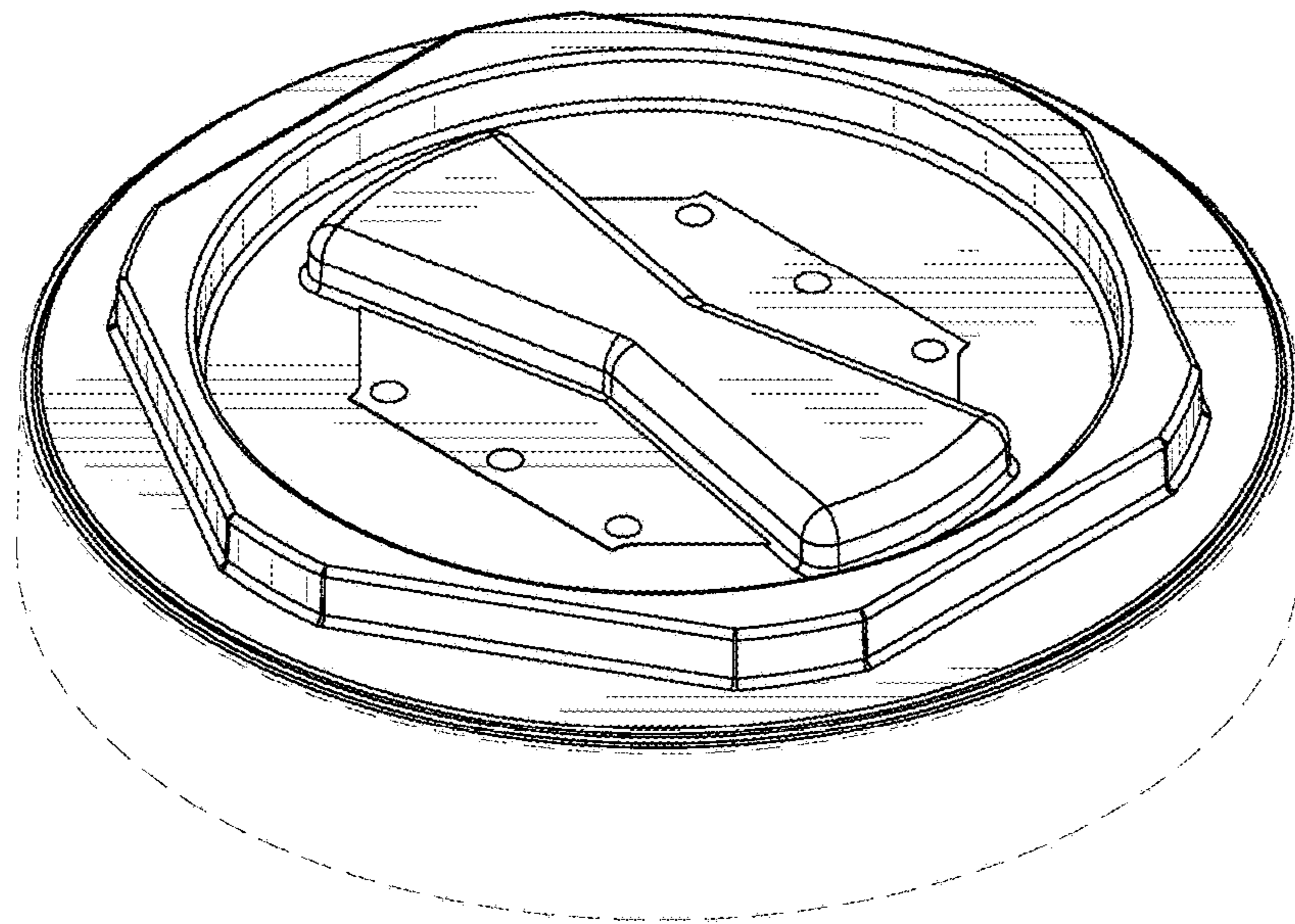


FIG. 1

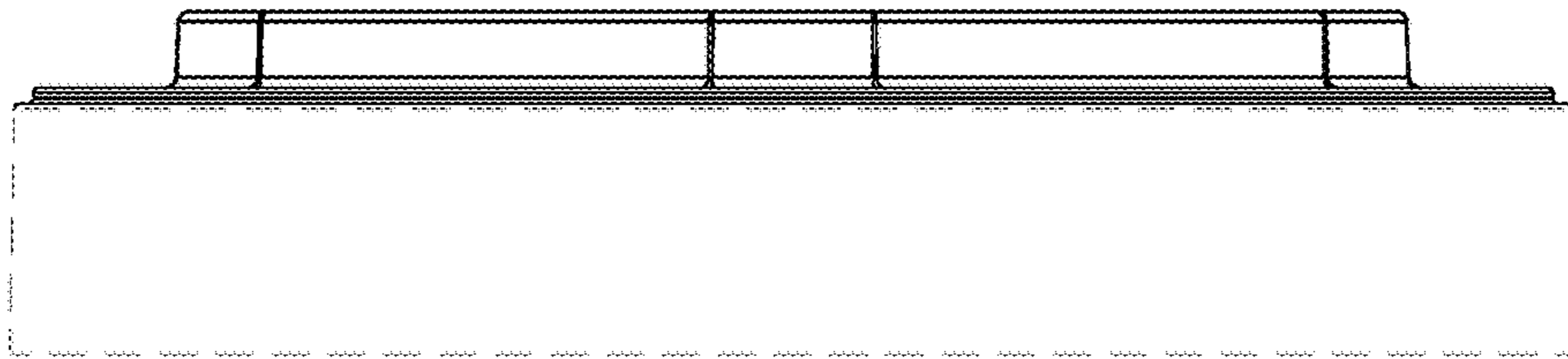


FIG. 2

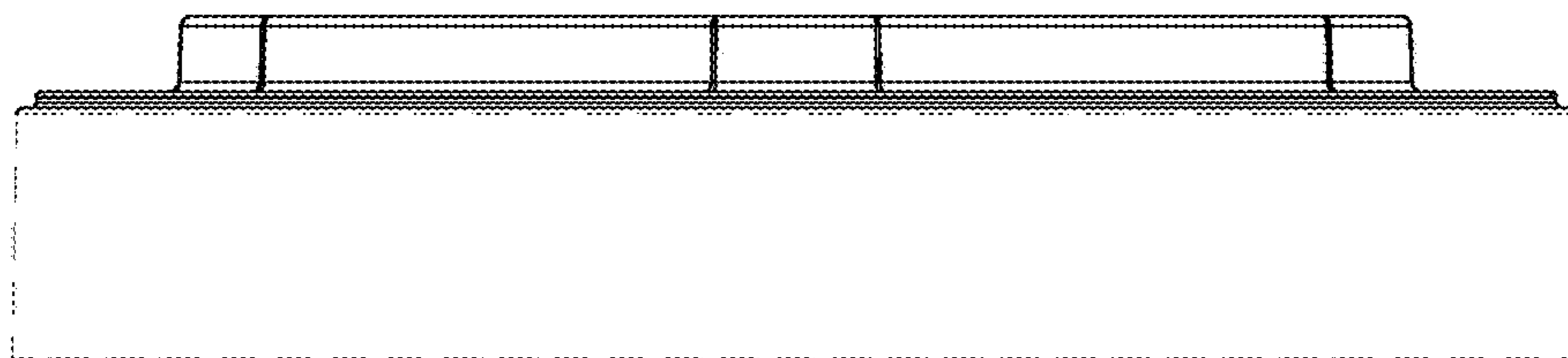


FIG. 3

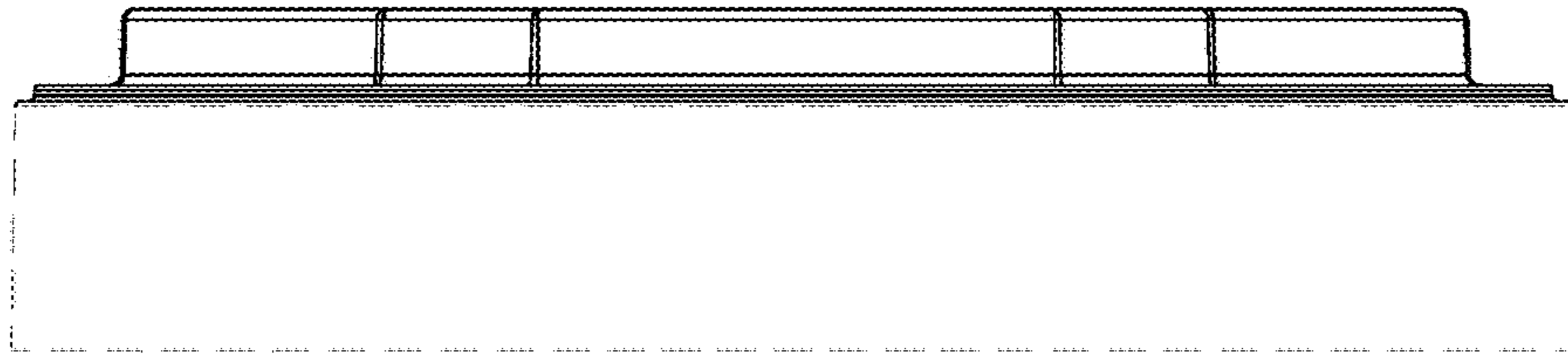


FIG. 4

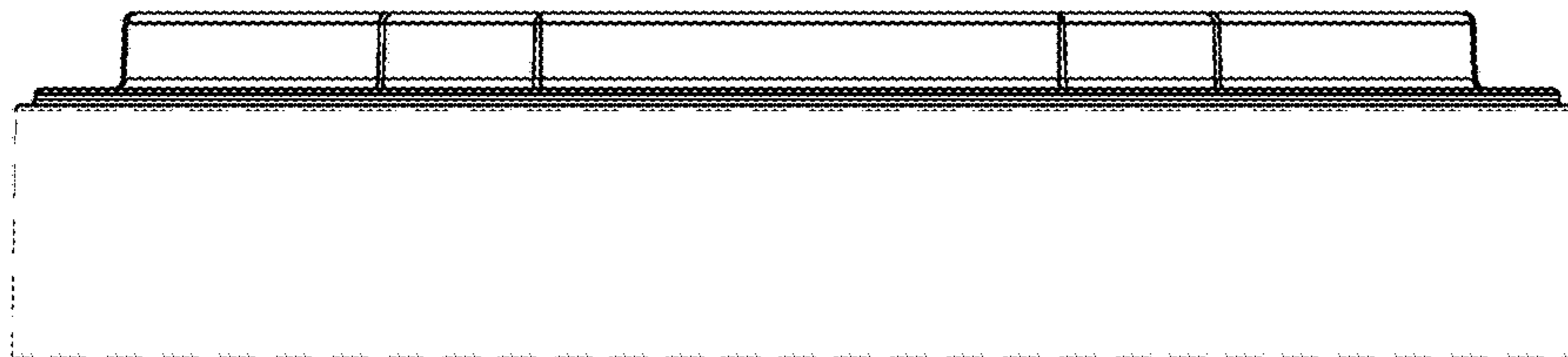


FIG. 5

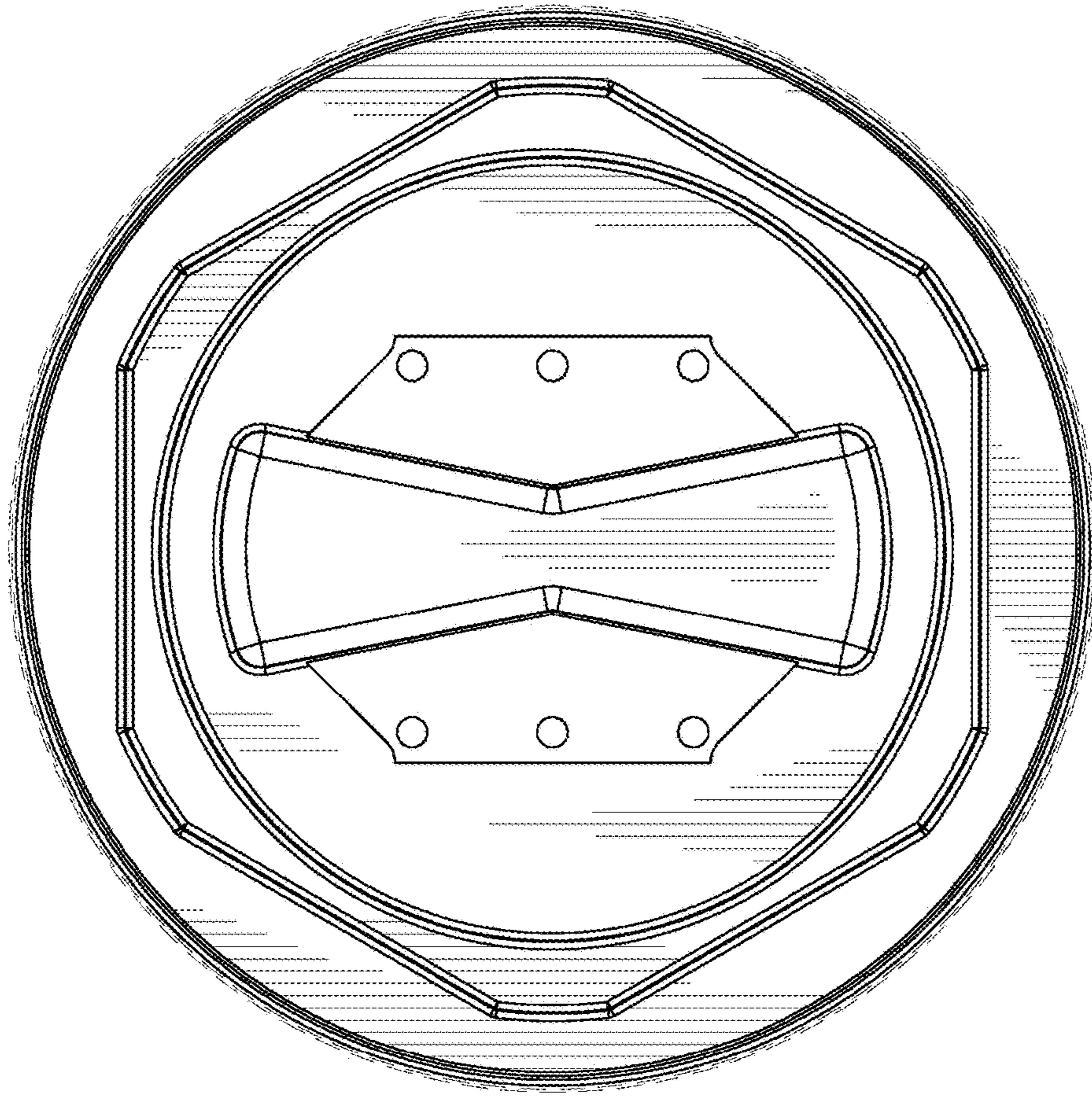


FIG. 6

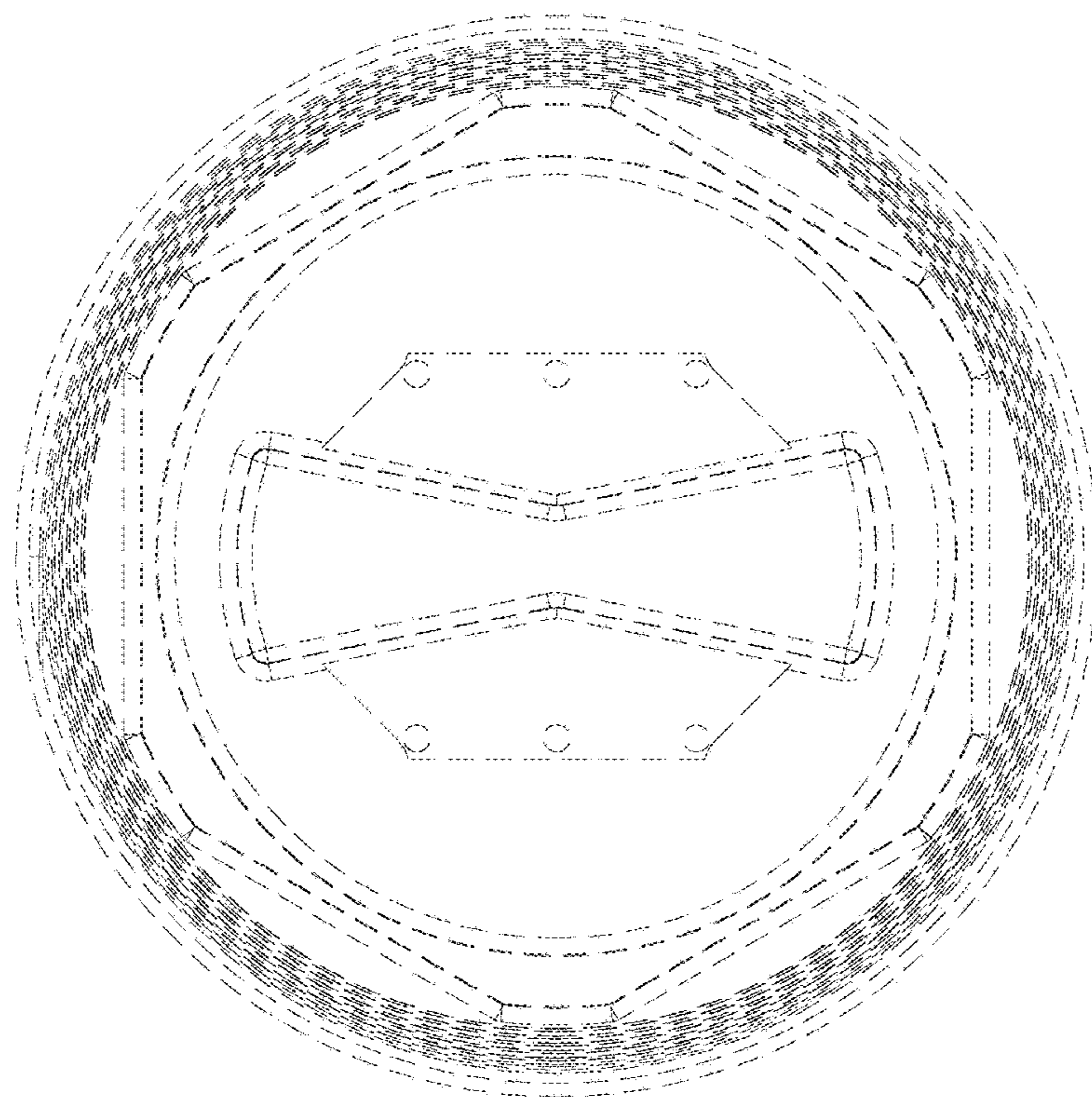


FIG. 7