



US00D806542S

(12) **United States Design Patent**
Lourie

(10) **Patent No.:** **US D806,542 S**
(45) **Date of Patent:** **** Jan. 2, 2018**

- (54) **BAG HANGER**
- (71) Applicant: **Edwin Richard Lourie**, White Plains, NY (US)
- (72) Inventor: **Edwin Richard Lourie**, White Plains, NY (US)
- (**) Term: **15 Years**
- (21) Appl. No.: **29/555,538**
- (22) Filed: **Feb. 23, 2016**
- (51) **LOC (11) Cl.** **09-07**
- (52) **U.S. Cl.**
USPC **D9/443**
- (58) **Field of Classification Search**
USPC D9/434, 443; D6/315-328; 383/12, 13, 383/15, 16, 22, 23, 24, 78, 81, 92; 223/85-98; 211/10, 13.1, 85.2, 87.01, 211/113, 124; 248/95, 99, 100, 101
CPC A47G 25/28; A47G 25/32; A47G 25/473; A47G 25/36; A47G 25/38; A47G 25/34; A47F 5/0006; A47F 7/00
See application file for complete search history.

- 7,140,479 B2 * 11/2006 Mangano A45C 5/14 190/108
- D650,176 S * 12/2011 Gadsby D6/315
- 8,720,842 B2 * 5/2014 Huang A47F 7/16 211/113
- D715,635 S * 10/2014 Brown D9/415
- D716,061 S * 10/2014 Berg D6/319
- D757,454 S * 5/2016 Alesi D6/315
- D771,403 S * 11/2016 Matthews D6/513

* cited by examiner

Primary Examiner — Lauren Calve

(57) **CLAIM**

The ornamental design for a bag hanger, as shown and described.

DESCRIPTION

FIG. 1 is a perspective view of a bag hanger; FIG. 2 is a front elevational view thereof; FIG. 3 is a rear elevational view thereof; FIG. 4 is a left-side elevational view thereof; FIG. 5 is a right-side elevational view thereof; FIG. 6 is a top plan view thereof; FIG. 7 is a bottom plan view thereof; FIG. 8 is a front view thereof; and, FIG. 9 is a cross-sectional view thereof, taken along lines 9-9 indicated in FIG. 8.

The broken lines shown represent unclaimed subject matter and form no part of the claimed design.

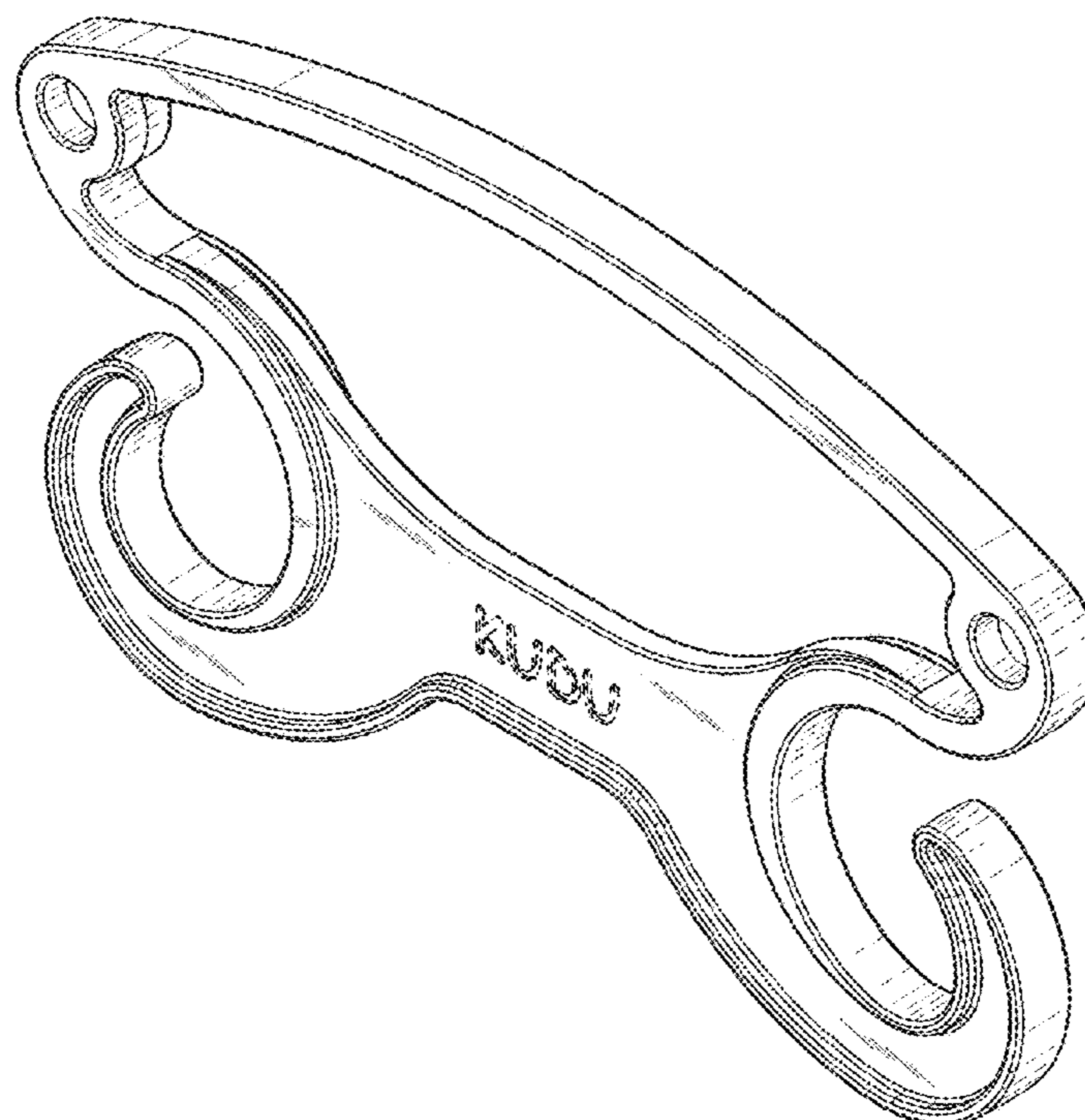
The long dash-short dash lines shown in FIG. 8 represent the section from which the cross-sectional view is taken and form no part of the claimed design.

1 Claim, 8 Drawing Sheets

(56) **References Cited**

U.S. PATENT DOCUMENTS

- 3,495,763 A * 2/1970 Kamins B65D 33/1683 383/13
- 5,813,092 A * 9/1998 Greenfield B65D 33/1683 16/425
- D407,311 S * 3/1999 DuCorday D9/443
- D525,661 S * 7/2006 Hussaini D20/43



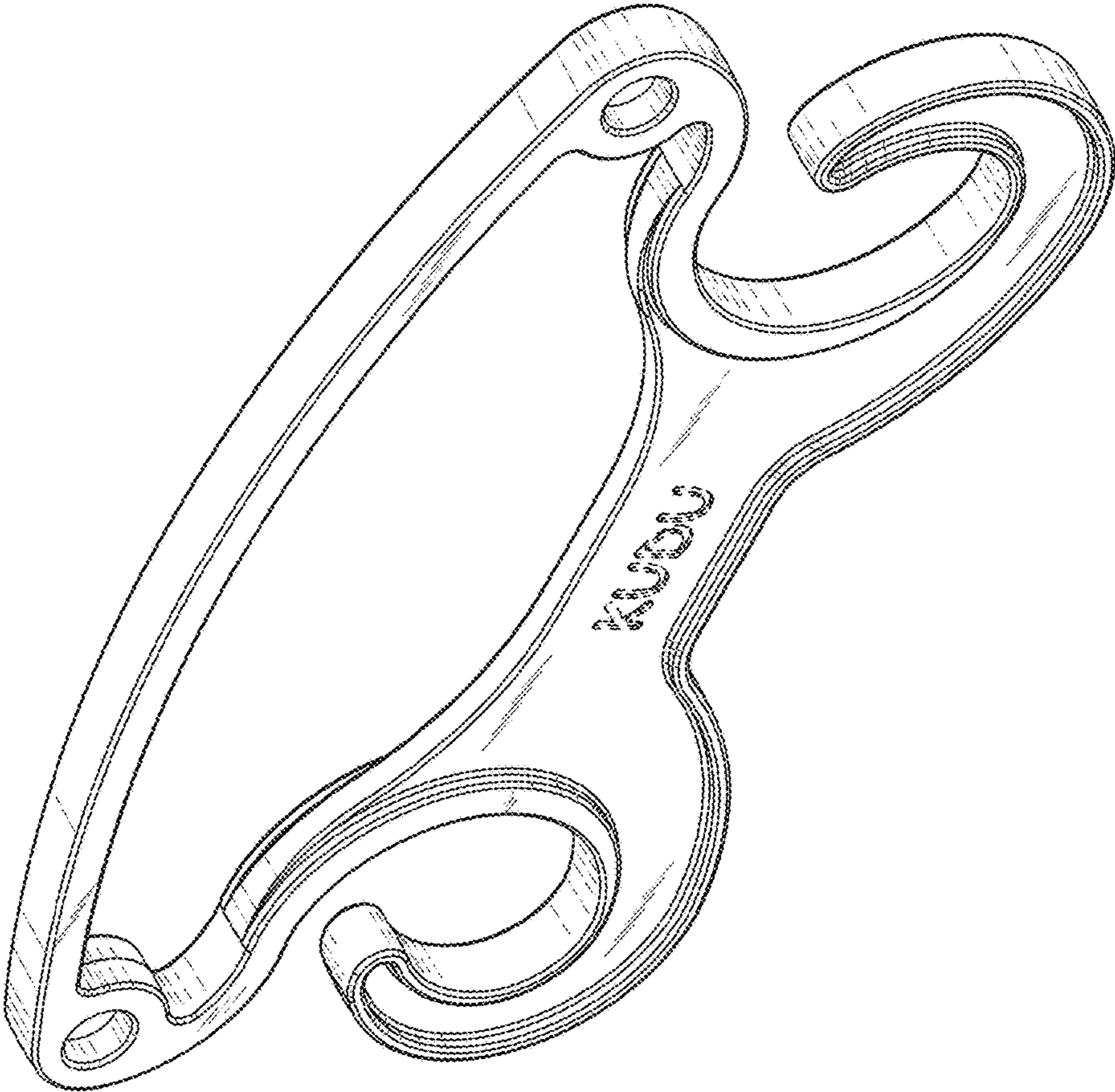


FIG. 1

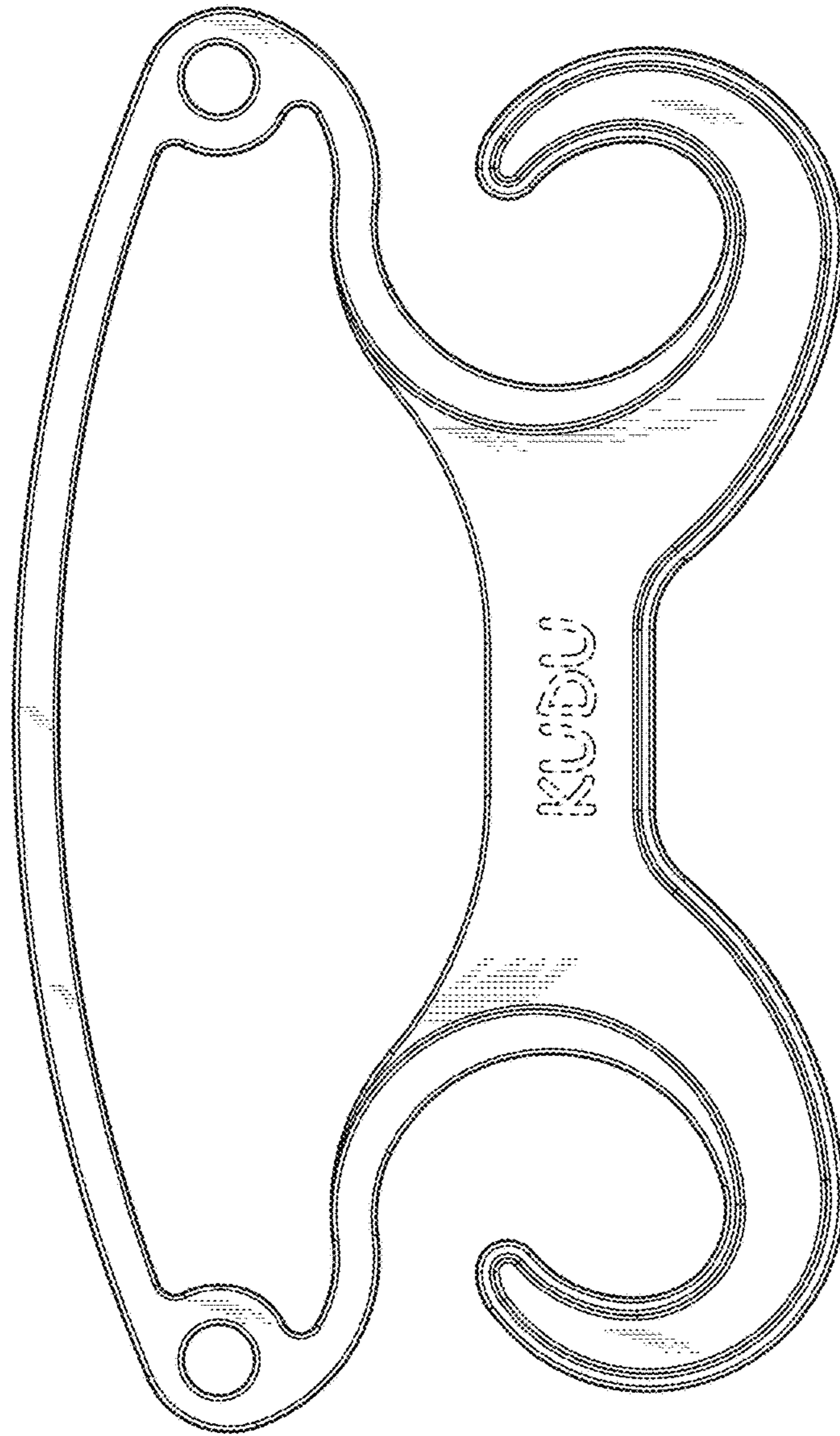


FIG. 2

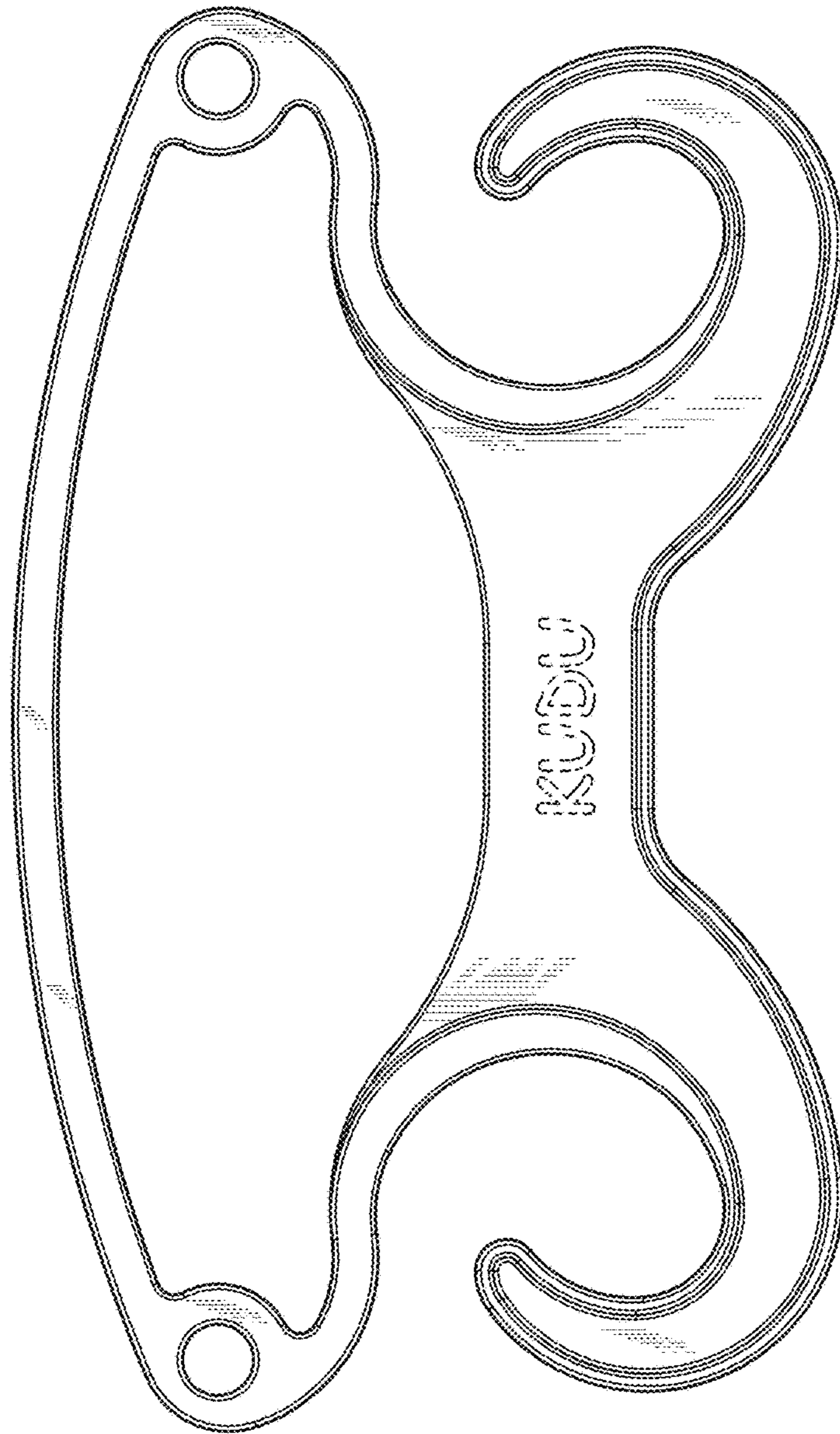


FIG. 3



FIG. 4



FIG. 5

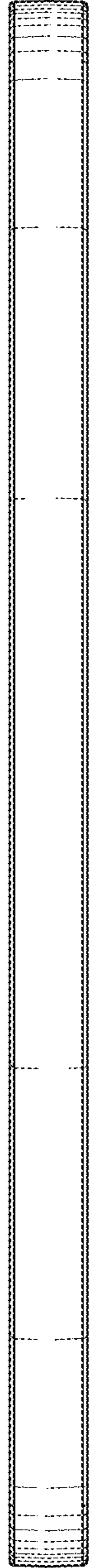


FIG. 6



FIG. 7

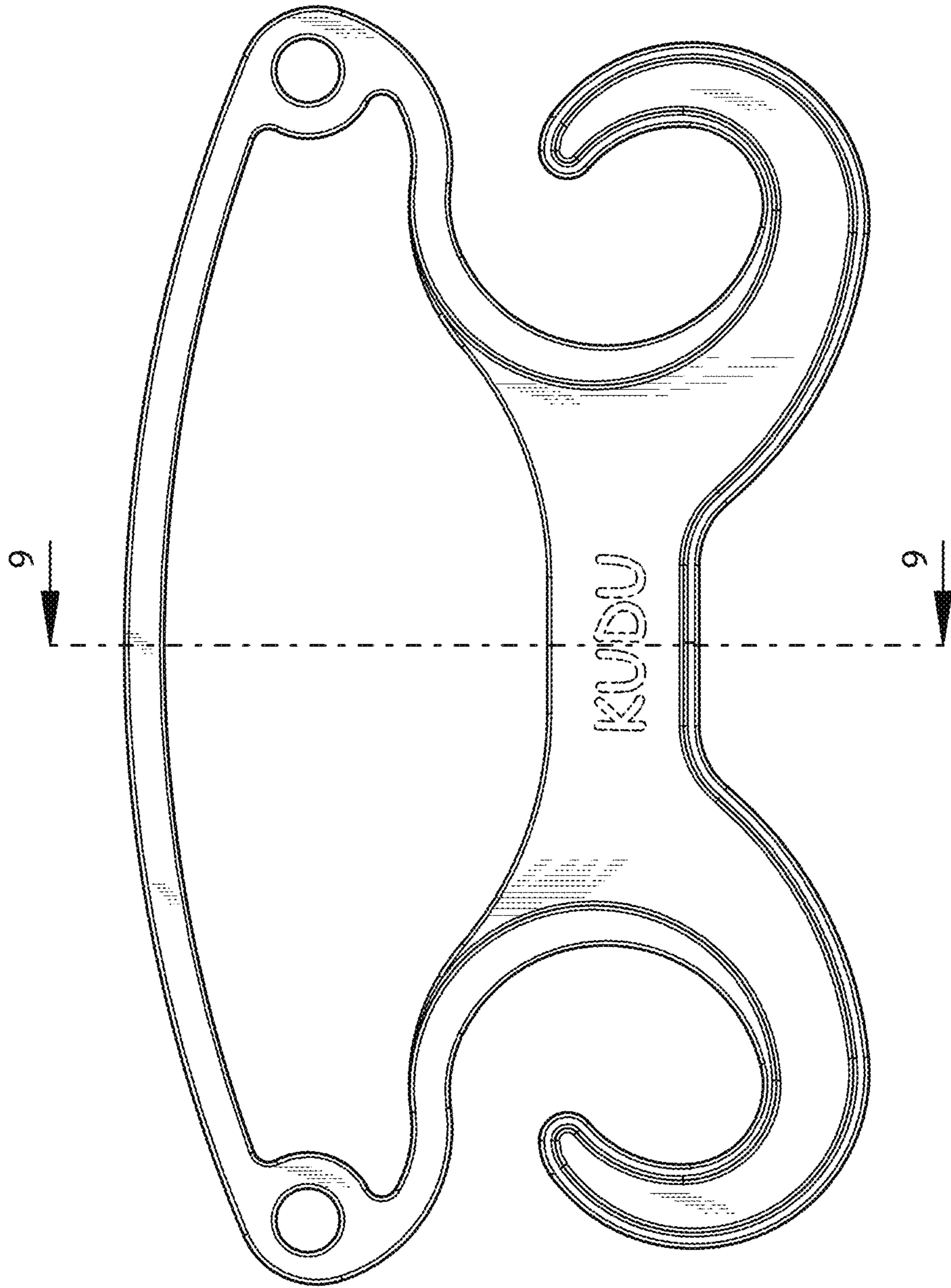


FIG 8

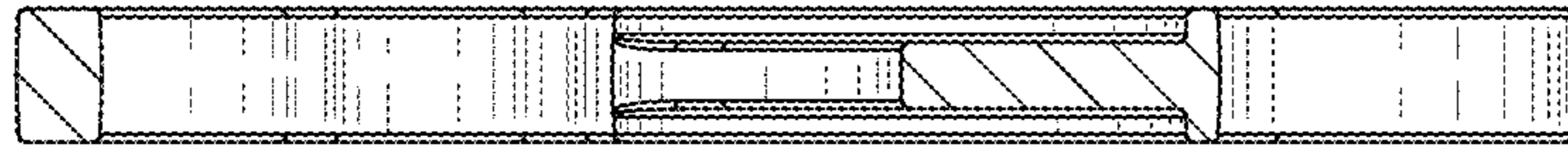


FIG 9