



US00D806541S

(12) **United States Design Patent** (10) **Patent No.:** **US D806,541 S**
Love et al. (45) **Date of Patent:** **** Jan. 2, 2018**

(54) **SURFACE ORNAMENTATION FOR WOUND THERAPY PACKAGING**

3,972,328 A 8/1976 Chen
D254,219 S 2/1980 Papciak
D267,834 S 2/1983 Yew
D268,098 S 3/1983 Brown
D275,425 S 9/1984 Briggs
D281,836 S 12/1985 Sparkman

(71) Applicant: **Smith & Nephew PLC**, London (GB)

(72) Inventors: **Beverley Love**, Hessle (GB); **Mark Parling**, Hull (GB)

(Continued)

(73) Assignee: **Smith & Nephew PLC** (GB)

FOREIGN PATENT DOCUMENTS

(**) Term: **15 Years**

EP 0 913 164 5/1999
FR 1 163 907 10/1958
FR 2 644 341 9/1990

(21) Appl. No.: **29/606,059**

(22) Filed: **Jun. 1, 2017**

OTHER PUBLICATIONS

Related U.S. Application Data

Adventure Medical Kits ProfessionalTrauma Pak First Aid Kit with QuikClot, announced Oct. 2011, [online], site visited Aug. 22, 2017. Available from Internet, <URL: <http://www.amazon.com>>.*

(63) Continuation of application No. 15/311,805, filed as application No. PCT/EP2015/060757 on May 15, 2015.

(Continued)

(51) **LOC (11) Cl.** **09-07**

Primary Examiner — Derrick Holland

(52) **U.S. Cl.**
USPC **D9/434**

Assistant Examiner — Janice Patyk

(58) **Field of Classification Search**
USPC D9/414, 418, 426, 430, 432–436, 444, D9/456; D14/485–489; D20/11, 22, 27, D20/42; D24/189; 206/454, 457, 526; 229/145, 185; 215/379, 381, 382; 220/660, 669, 675

(74) *Attorney, Agent, or Firm* — Knobbe, Martens, Olson & Bear LLP

CPC B65D 1/00; B65D 1/02; B65D 1/0223; B65D 1/40; B65D 23/00; B65D 23/12; B65D 23/14; B65D 2203/00; B65D 223/02; B65D 2501/0009

(57) **CLAIM**

The ornamental design for a surface ornamentation for wound therapy packaging, as shown and described.

See application file for complete search history.

DESCRIPTION

FIG. 1 is a top plan view of a surface ornamentation for wound therapy packaging, shown in use, showing my new design; and,

(56) **References Cited**

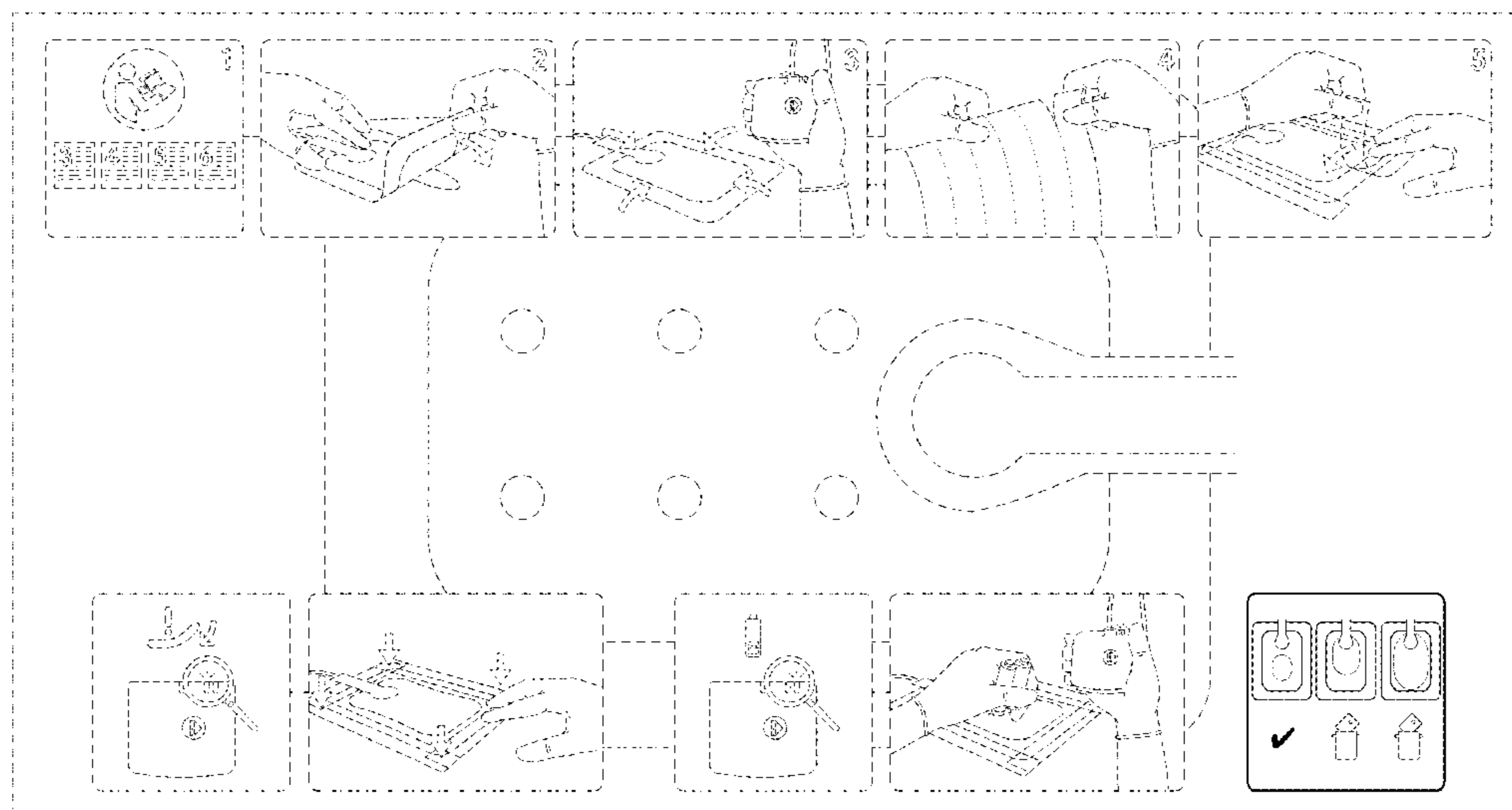
U.S. PATENT DOCUMENTS

D134,249 S 11/1942 Button
2,874,707 A 2/1959 Koppel
3,640,379 A 2/1972 Weingarden

FIG. 2 is a top plan view thereof, shown in an enlarged scale. The broken lines in the figures illustrate the portions of the surface ornamentation for wound therapy packaging that form no part of the claimed design.

All sides not shown in the views form no part of the claimed design.

1 Claim, 2 Drawing Sheets



(56)

References Cited

U.S. PATENT DOCUMENTS

D289,461 S 4/1987 Humphries
 4,977,483 A 12/1990 Perretta
 D313,505 S 1/1991 Leopoldi et al.
 D316,181 S 4/1991 Clifton
 D320,308 S 10/1991 Whitworth
 D327,363 S 6/1992 Farb
 5,238,732 A 8/1993 Krishnan
 D339,287 S 9/1993 Levin
 5,344,024 A 9/1994 Cohu
 D365,754 S 1/1996 Plassier
 5,549,584 A 8/1996 Gross
 D389,639 S 1/1998 Priebe
 D393,591 S 4/1998 Baryshyan
 5,759,570 A 6/1998 Arnold
 D396,750 S 8/1998 Slater et al.
 D397,869 S 9/1998 Minhas
 D398,527 S 9/1998 Maceachern et al.
 D409,752 S 5/1999 Bishay et al.
 D420,586 S 2/2000 Maceachern et al.
 6,626,891 B2 9/2003 Ohmstede
 7,361,184 B2 4/2008 Joshi
 7,381,859 B2 6/2008 Hunt et al.
 D573,458 S * 7/2008 Anderson D9/418
 D579,195 S 10/2008 Kagawa
 7,569,742 B2 8/2009 Haggstrom et al.
 7,615,036 B2 11/2009 Joshi et al.
 D606,394 S 12/2009 Stewart
 D607,717 S 1/2010 Hodges
 7,699,823 B2 4/2010 Haggstrom et al.
 D618,546 S 6/2010 Easterbrook et al.
 D618,810 S 6/2010 Tanigawa et al.
 7,775,998 B2 8/2010 Riesinger
 7,811,269 B2 10/2010 Boynton et al.
 7,846,141 B2 12/2010 Weston
 7,910,791 B2 3/2011 Coffey
 7,922,703 B2 4/2011 Riesinger
 D637,298 S 5/2011 Vaisnys et al.
 7,964,766 B2 6/2011 Blott et al.
 D645,735 S 9/2011 Clark et al.
 D663,315 S * 7/2012 Cielak D14/488
 D663,944 S 7/2012 Bouskill
 D668,948 S 10/2012 LaTrobe
 D675,739 S 2/2013 McCormack
 D680,131 S * 4/2013 Anzures D14/489
 D686,735 S 7/2013 Tsuruta et al.
 D687,300 S 8/2013 Jones et al.
 D690,425 S 9/2013 Heinecke et al.
 D692,146 S 10/2013 Mochizuki et al.
 D699,363 S 2/2014 Mochizuki et al.
 D699,856 S 2/2014 Mochizuki et al.

D707,828 S 6/2014 Ehninger et al.
 D708,055 S 7/2014 Elston et al.
 D709,205 S 7/2014 Ehninger et al.
 D723,792 S 3/2015 Anderson et al.
 D724,620 S * 3/2015 Hansen D14/489
 D730,728 S 6/2015 Fath
 9,084,845 B2 7/2015 Adie et al.
 D740,304 S * 10/2015 MacLean D14/485
 9,241,873 B2 1/2016 Upchurch et al.
 D750,478 S 3/2016 Kiss
 D754,732 S * 4/2016 Yoon D14/489
 D756,380 S * 5/2016 Kwon D14/485
 D759,116 S * 6/2016 Dellinger D14/493
 D761,023 S 7/2016 Tramontana
 2007/0225663 A1 9/2007 Watt et al.
 2008/0306456 A1 12/2008 Riesinger
 2010/0274205 A1 10/2010 Morelli et al.
 2013/0186511 A1 7/2013 Hess et al.
 2017/0119487 A1 5/2017 Binder et al.

OTHER PUBLICATIONS

Cederroth 4-in-1 Bloodstopper Dressing, announced Jul. 2011, [online], site visited Aug. 22, 2017. Available from Internet, <URL: <http://www.amazon.com>>.*
 Philips Pediatric AED, announced Sep. 2012, [online], site visited Aug. 22, 2017. Available from Internet, <URL: <http://www.amazon.com>>.*
 International Search Report and Written Opinion, re PCT Application No. PCT/EP2015/060757, mailed Jul. 6, 2015.
 International Preliminary Report on Patentability, re PCT Application No. PCT/EP2015/060757, mailed Dec. 1, 2016.
 Internetmed, "Used Smith & Nephew 4297 Orthopedic Offset Drill Guide Power Instruments," listing No. 234150974, posted Apr. 4, 2015, printed Oct. 27, 2015. <http://internetmed.com/product/used-smith-nephew-4297-orthopedic-offset-drill-guide-power-instruments>.
 Kendall Ultec Hydrocolloid Dressing (4"x4"), product ordering page, web page downloaded Jul. 13, 2014.
 Packaging for Pico Single Use Negative Pressure Wound Therapy System (2012), in 1 page.
 Protz, Kerstin: "Modern Wundauflagen unterstützen Heilungsprozess", Wundversorgung: Indikation and Anwendung, Geriatrie Journal, Apr. 2005, pp. 3333-3339, with translation.
 Smith & Nephew, "Pico packaging reduction", Jun. 2014, <http://www.smith-nephew.com/news-and-media/case-studies/picosntm-packaging-reduction/>.
 Smith & Nephew, "Pico Single Use Negative Pressure Wound Therapy System", spiral booklet, Mar. 2011, in 7 pages.

* cited by examiner

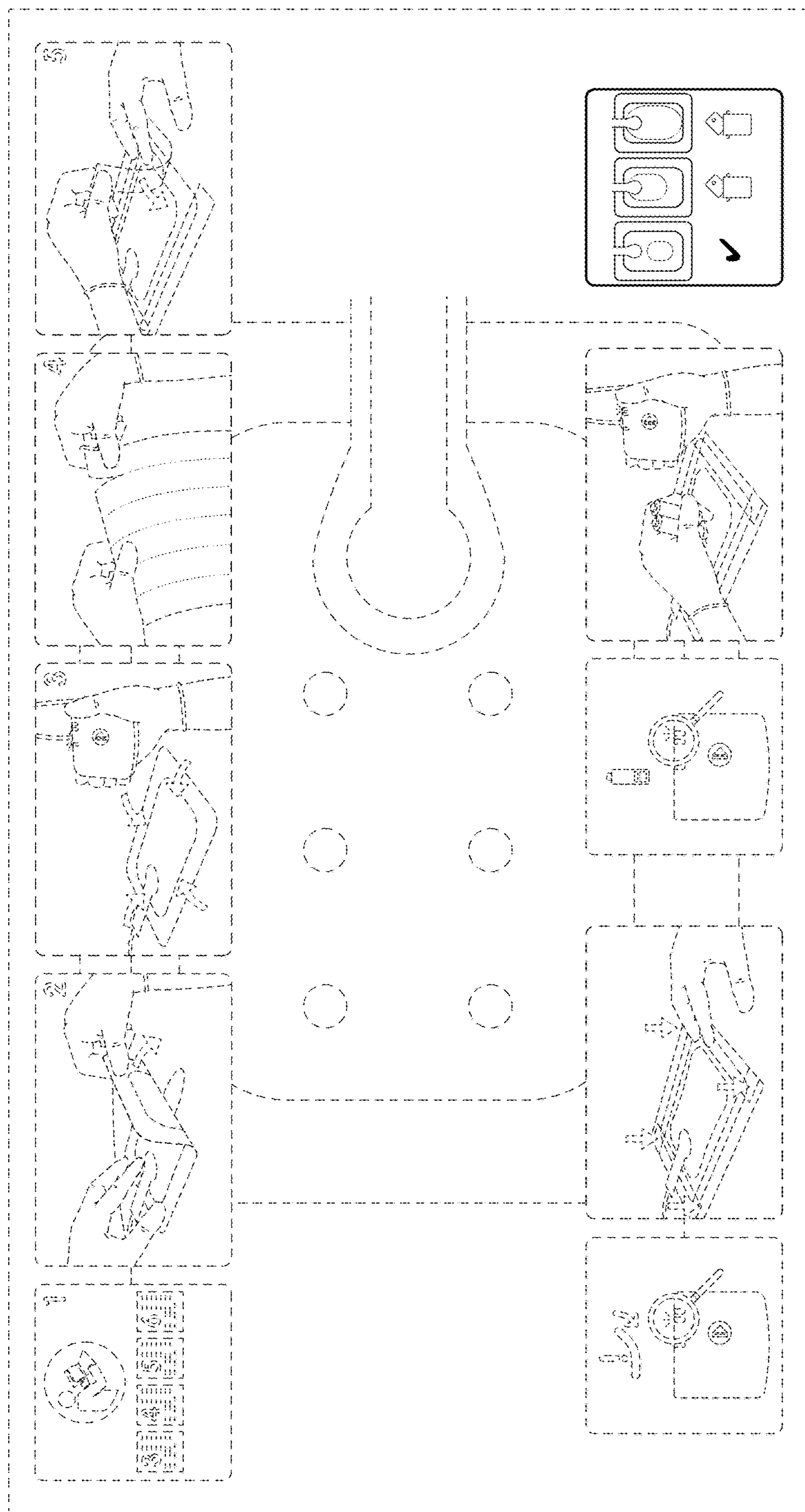


FIG. 1

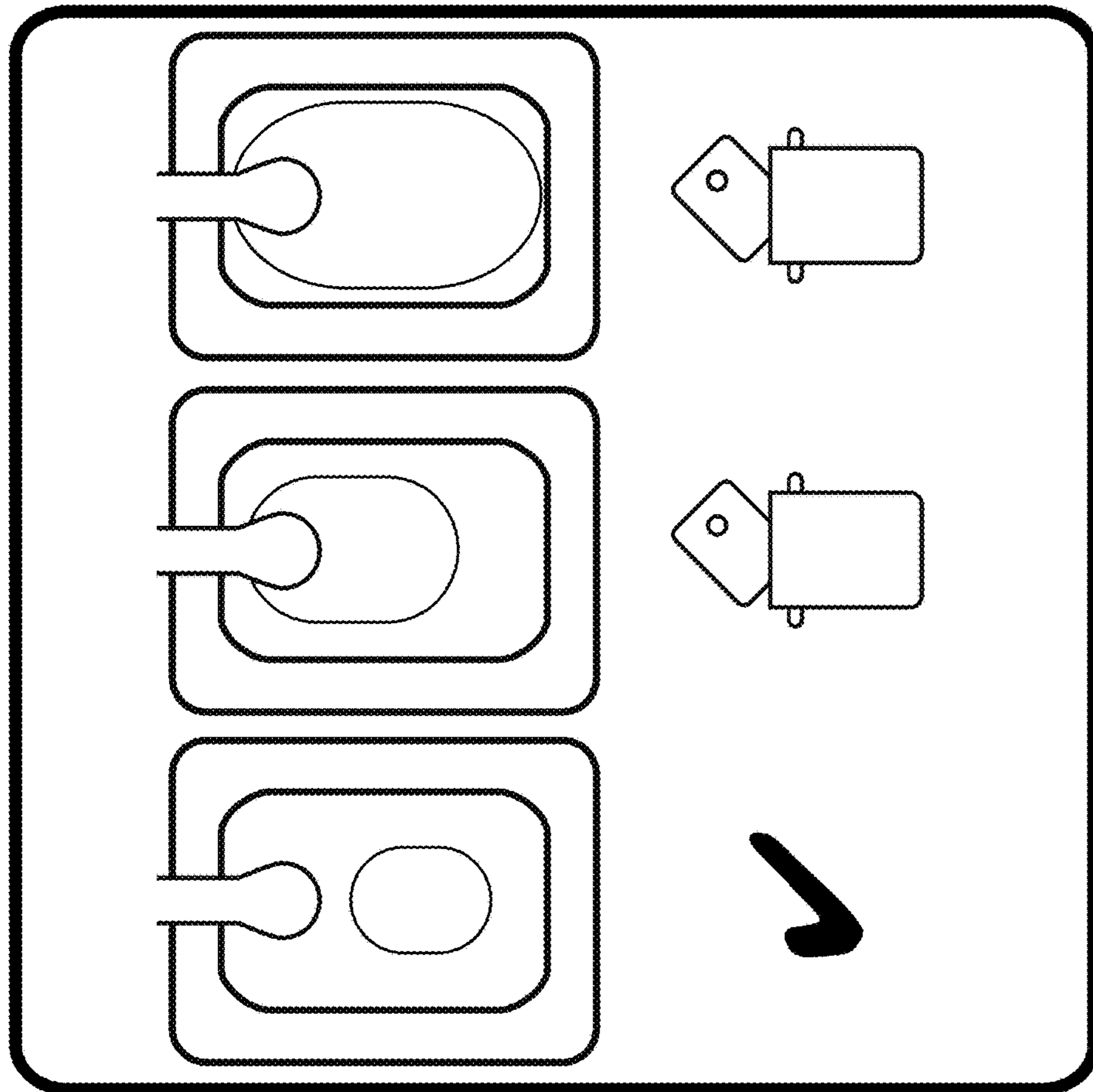


FIG. 2