



US00D806536S

(12) **United States Design Patent**
Kato

(10) **Patent No.:** **US D806,536 S**
(45) **Date of Patent:** **** Jan. 2, 2018**

(54) **PACKAGING BOX**

(71) Applicant: **BROTHER INDUSTRIES, LTD.**,
Nagoya-shi, Aichi-ken (JP)

(72) Inventor: **Izumi Kato**, Nishio (JP)

(73) Assignee: **BROTHER INDUSTRIES, LTD.**,
Nagoya (JP)

(**) Term: **15 Years**

(21) Appl. No.: **29/579,334**

(22) Filed: **Sep. 29, 2016**

(30) **Foreign Application Priority Data**

Mar. 30, 2016 (JP) 2016-7073

(51) **LOC (11) Cl.** **09-03**

(52) **U.S. Cl.**
USPC **D9/432**

(58) **Field of Classification Search**
USPC D3/201, 203.1, 203.5, 203.6; D7/601,
D7/602, 609; D9/414-416, 418-423,
D9/425, 426, 430-436, 444, 455-457,
D9/499

CPC B29L 2031/7166; B65D 81/3813; B65D
5/541; B65D 5/02

See application file for complete search history.

(56) **References Cited**

U.S. PATENT DOCUMENTS

- 425,188 A * 4/1890 Riedell B65D 5/16
229/122
- D93,084 S * 8/1934 Baum D3/203.1
- D190,772 S * 6/1961 Cuyler D9/418
- 3,361,332 A * 1/1968 Mason B65D 5/541
229/160.2
- D212,684 S * 11/1968 Roccaforte D9/416
- 4,175,673 A * 11/1979 McDonald B65D 5/54
221/63

- D268,649 S * 4/1983 Adamson D9/416
- D283,593 S * 4/1986 Hofer D9/416
- D368,027 S * 3/1996 Baker D9/415
- D445,332 S * 7/2001 Breiding D6/522
- D465,416 S * 11/2002 Dzwil D9/432
- D579,766 S * 11/2008 Barnett D9/414

(Continued)

OTHER PUBLICATIONS

Alibaba. Wholesale rigid folding box template, folding box magnet flap closure, magnetic folding box printing. 2017 [earliest online date], [site visited Aug. 8, 2017]. Available from Internet, <URL:https://www.alibaba.com/product-detail/Wholesale-rigid-folding-box-template-folding_60136989810.html>.*

Primary Examiner — Robert M Spear

Assistant Examiner — Darcey E Heflin

(74) *Attorney, Agent, or Firm* — Oliff PLC

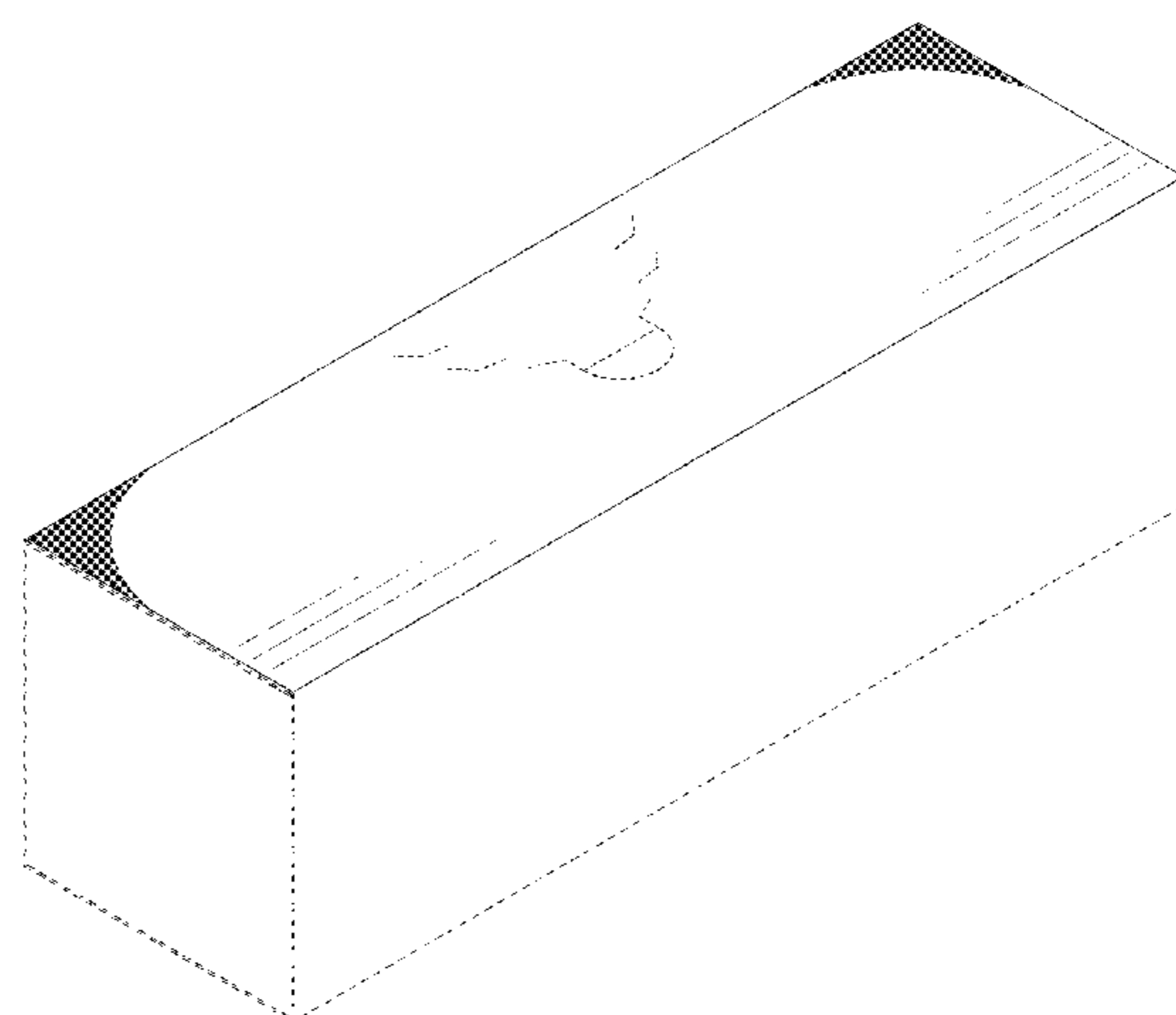
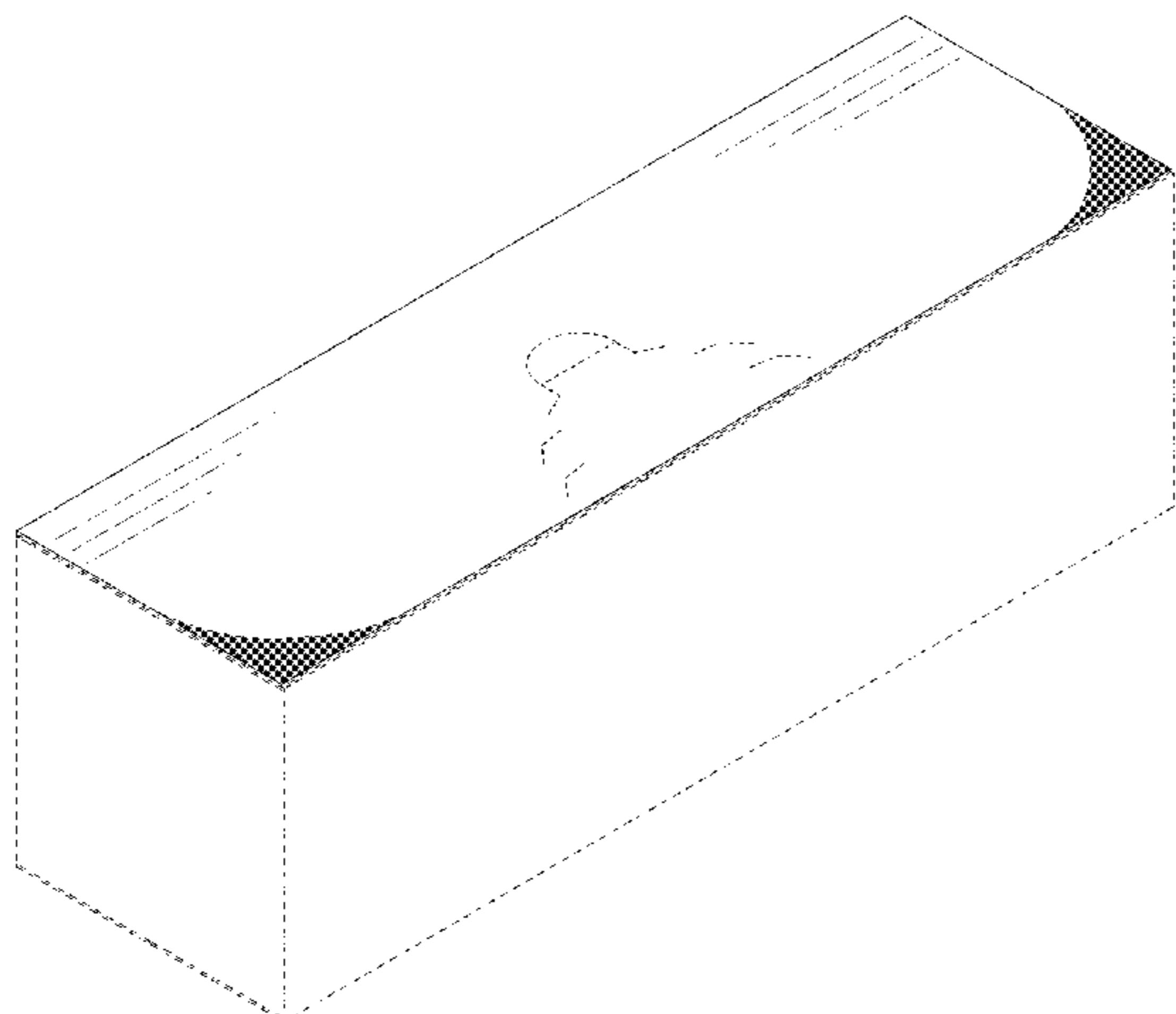
(57) **CLAIM**

The ornamental design for a packaging box, as shown and described.

DESCRIPTION

FIG. 1 is a front, top, left-side perspective view of a packaging box;
 FIG. 2 is a front view thereof;
 FIG. 3 is a top view thereof;
 FIG. 4 is a right-side view thereof;
 FIG. 5 is a left-side view thereof;
 FIG. 6 is a rear view thereof;
 FIG. 7 is a bottom view thereof;
 FIG. 8 is a cross-sectional view taken along line 8-8 in FIG. 3; and,
 FIG. 9 is a rear, top, right-side perspective view thereof.
 The broken lines depict environmental subject matter only and form no part of the claimed design. The shaded portion on the top of the packaging box is intended to illustrate a color contrast with the remainder of the packaging box.

1 Claim, 7 Drawing Sheets



(56)

References Cited

U.S. PATENT DOCUMENTS

D582,268 S	*	12/2008	Zanaletti	D9/432
D613,153 S	*	4/2010	Russell	D9/423
D668,949 S	*	10/2012	Hipperson	D9/423
D679,582 S	*	4/2013	Witte	D9/416
D708,514 S	*	7/2014	Kiamilev	D9/432
D778,150 S	*	2/2017	Kahawaiolaa	D9/416
D792,784 S	*	7/2017	Wangtaveesab	D9/420

* cited by examiner

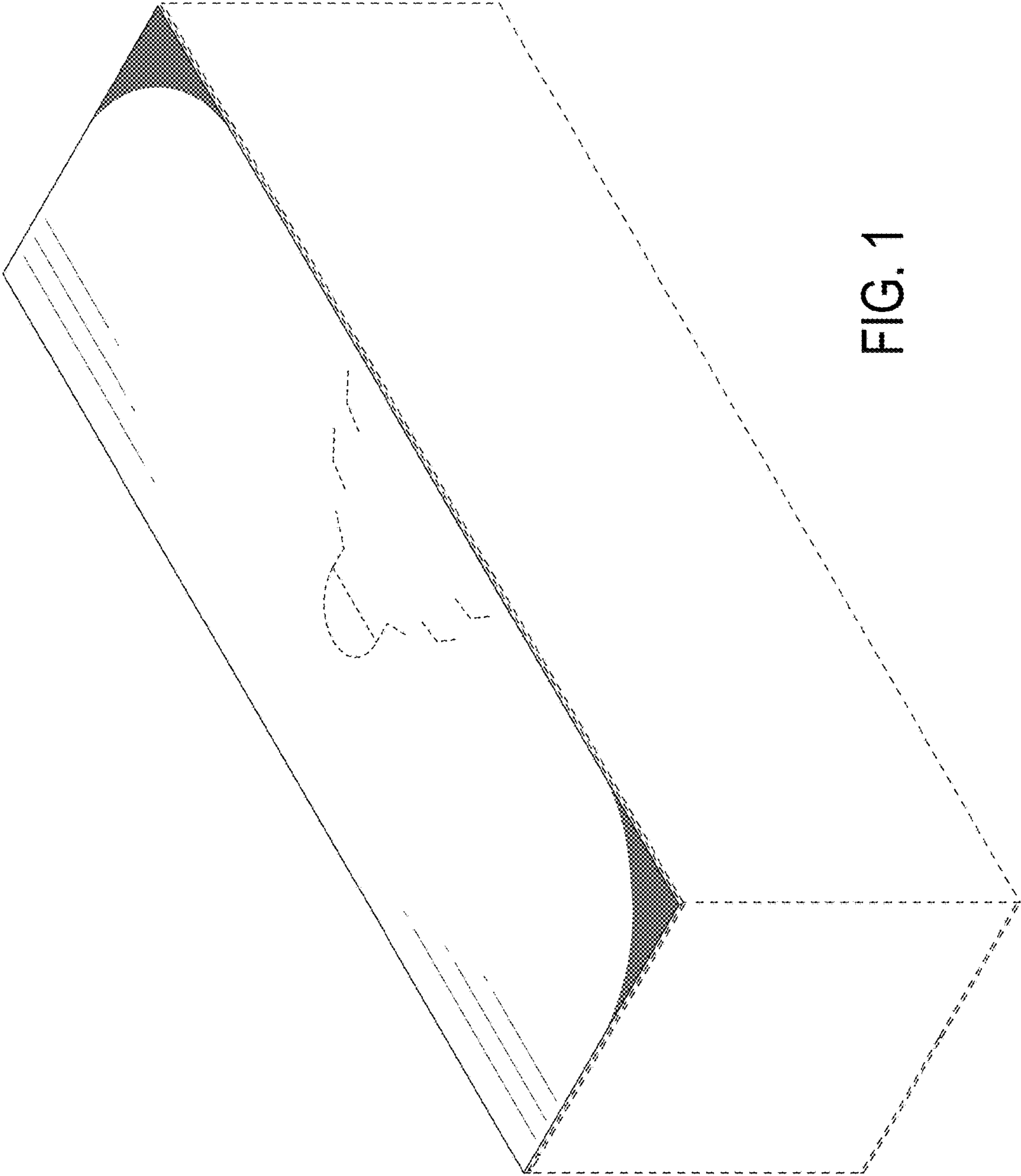


FIG. 1

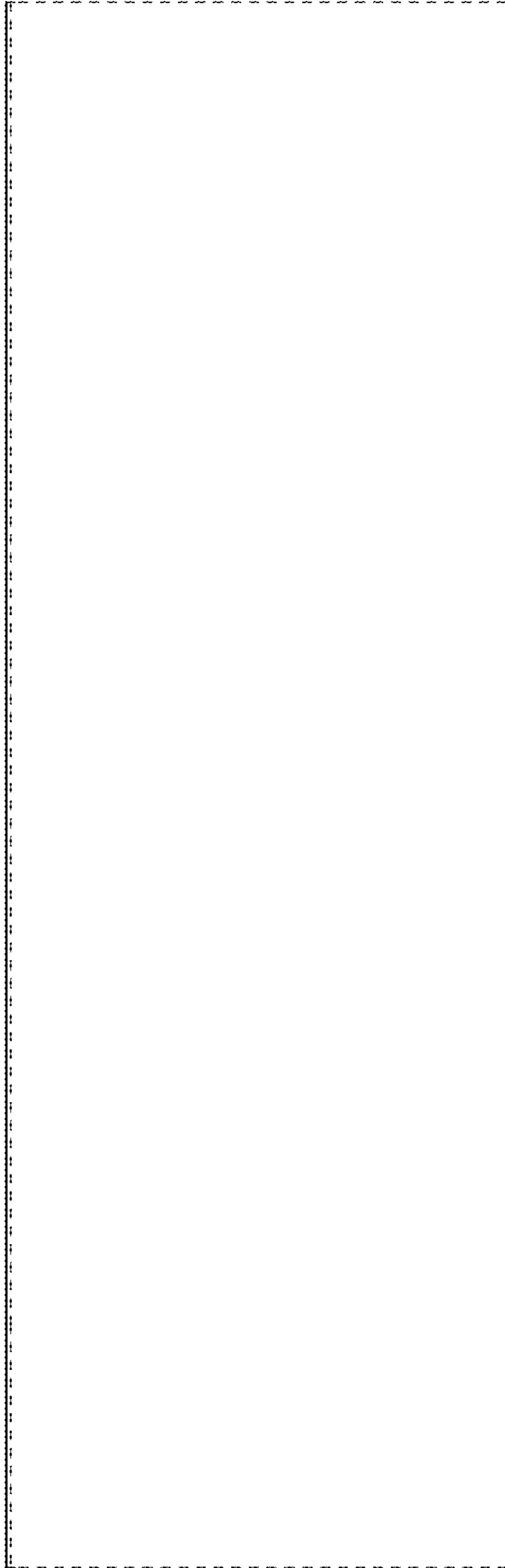


FIG. 2

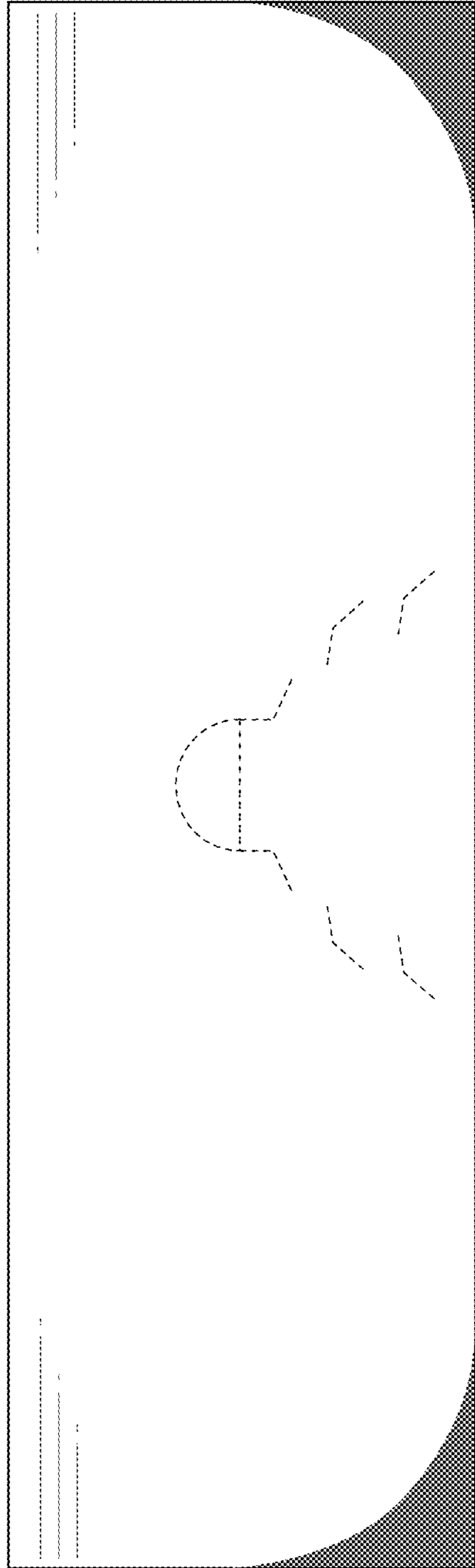


FIG. 3



FIG. 4



FIG. 5

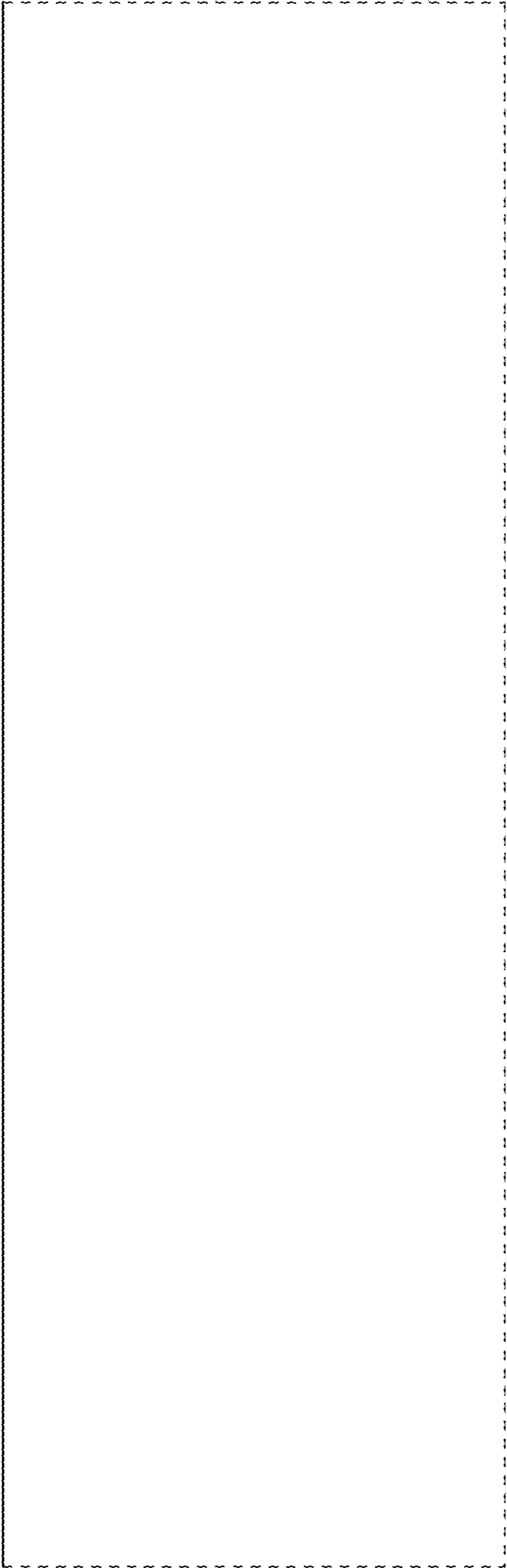


FIG. 6

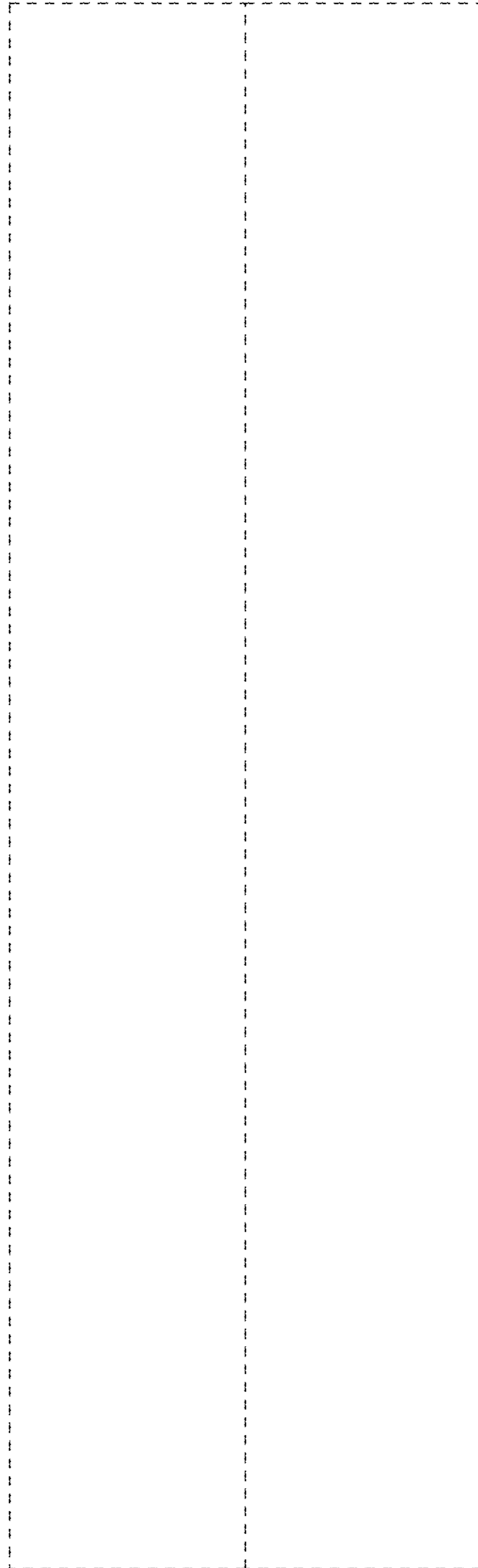


FIG. 7

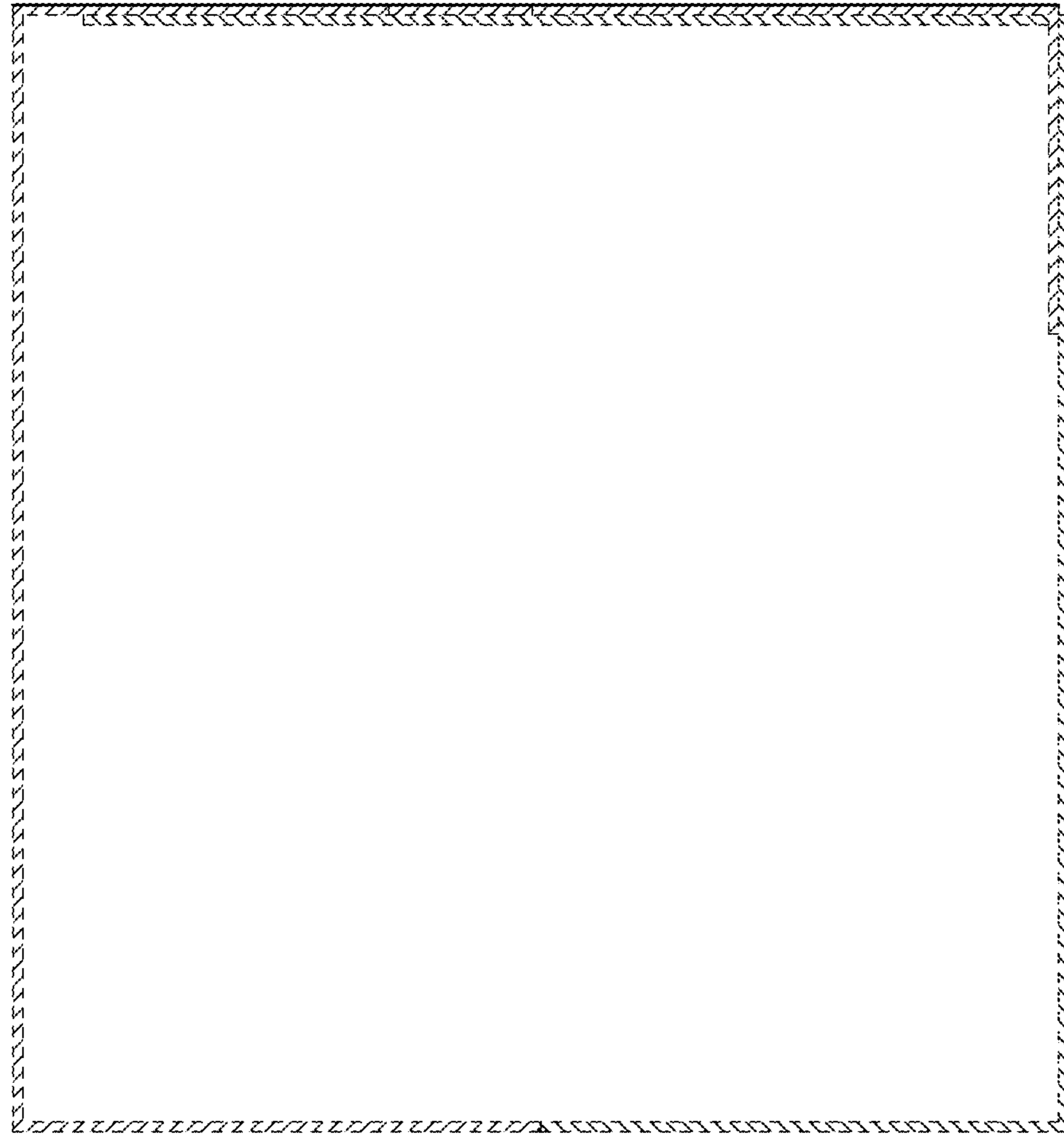


FIG. 8

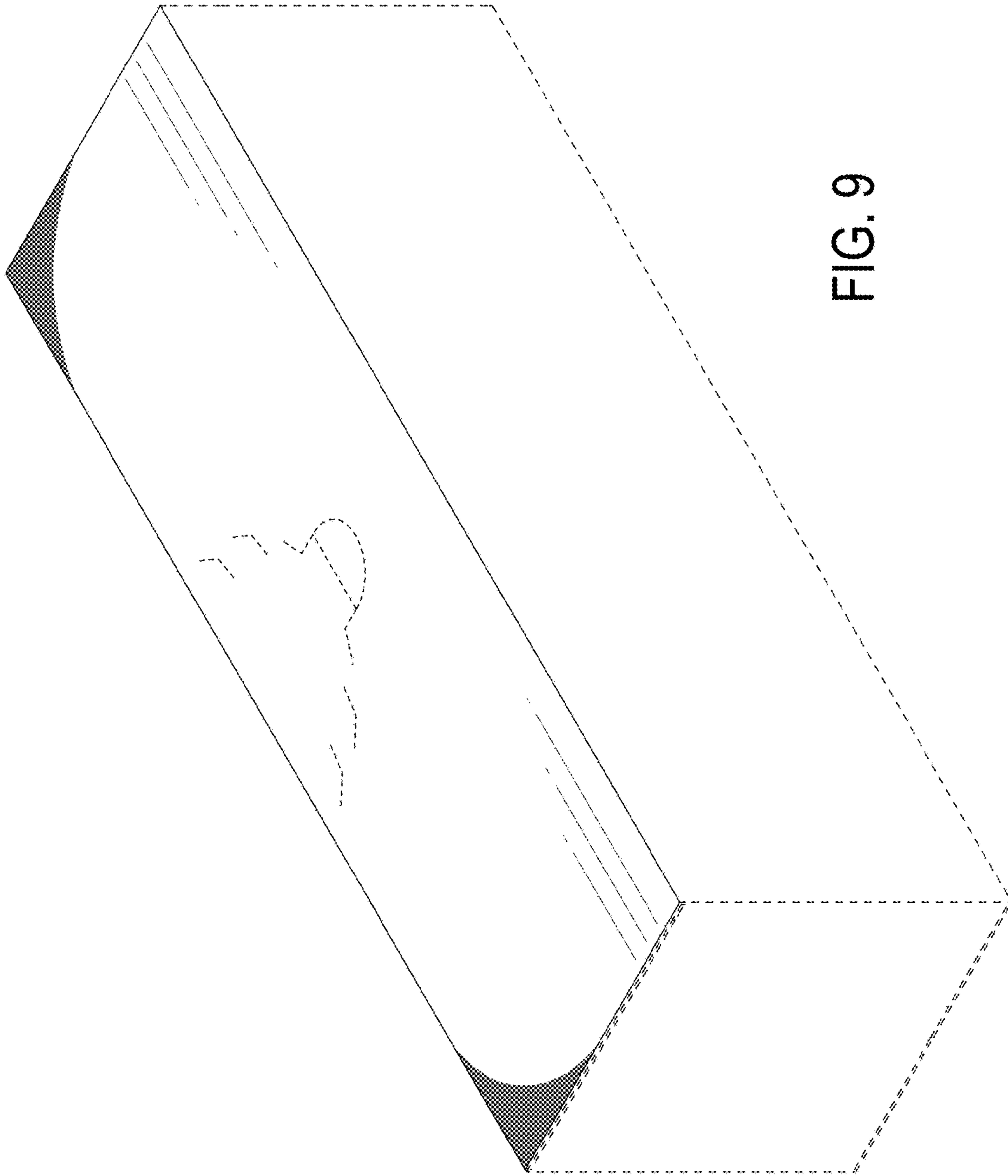


FIG. 9