



US00D806534S

(12) **United States Design Patent**  
**Chou**

(10) **Patent No.:** **US D806,534 S**  
(45) **Date of Patent:** **\*\* Jan. 2, 2018**

- (54) **FOOD CONTAINER TRAY**
- (71) Applicant: **Hsin-Hung Chou**, Taipei (TW)
- (72) Inventor: **Hsin-Hung Chou**, Taipei (TW)
- (\*\*) Term: **15 Years**
- (21) Appl. No.: **29/588,865**
- (22) Filed: **Dec. 23, 2016**
- (51) **LOC (11) Cl.** ..... **09-03**
- (52) **U.S. Cl.**  
USPC ..... **D9/425; D9/432**
- (58) **Field of Classification Search**  
USPC ..... D9/414, 415, 423, 424, 425, 430, 737;  
D7/400, 553.1, 553.2, 554.3, 545, 555,  
D7/601, 602, 629, 630  
CPC ..... B65D 2543/00296; B65D 2543/00092;  
B65D 85/8043; B65D 43/0212; B65D  
1/0223; B65D 2543/00509; B65D  
2543/00731; B65D 79/005; B65D 25/04;  
B65D 2543/00805; B65D 1/36; B65D  
85/72; B65D 1/34; B65D 81/3453; B65D  
51/20; B65D 2543/00027; B65D  
2543/00648; B65D 2543/00972; B65D  
85/73; B65D 2543/00416; B65D  
2543/00694; B65D 25/00; B65D 81/3216;  
B65D 2543/00759; B65D 1/0207; B65D  
81/3205; B65D 2519/00288; B65D  
2519/00034; B65D 2519/00069; B65D  
25/08; B65D 1/24; B65D 2519/00174;  
B65D 2519/00268; B65D 2519/00318;  
B65D 77/003; B65D 2519/00208  
See application file for complete search history.

(56) **References Cited**

**U.S. PATENT DOCUMENTS**

- 3,151,799 A \* 10/1964 Engles, Jr. .... B65D 65/02  
229/407
- 3,264,120 A \* 8/1966 Westcott ..... B65D 1/34  
220/62.11

- 3,480,197 A \* 11/1969 Massey ..... B65D 1/40  
229/120
- 3,580,413 A \* 5/1971 Quackenbush ..... B29C 47/026  
156/178
- 3,583,623 A \* 6/1971 Golner ..... B65D 1/34  
220/608
- D275,886 S \* 10/1984 Sheward ..... D24/227
- 4,501,355 A \* 2/1985 Hoffman ..... A47K 5/02  
100/219
- D288,295 S \* 2/1987 Holden ..... D9/425
- 4,834,243 A \* 5/1989 Langenbeck ..... B65B 5/068  
206/203
- 5,423,453 A \* 6/1995 Fritz ..... B65D 81/3453  
219/728
- D446,719 S \* 8/2001 Garraway ..... D9/425
- D483,665 S \* 12/2003 Jackson ..... D9/432
- 7,857,160 B2 \* 12/2010 Owensby ..... B65D 1/34  
220/669
- 7,921,992 B2 \* 4/2011 LaRue ..... B65D 81/262  
206/204

(Continued)

*Primary Examiner* — Lauren Calve

(74) *Attorney, Agent, or Firm* — Rosenberg, Klein & Lee

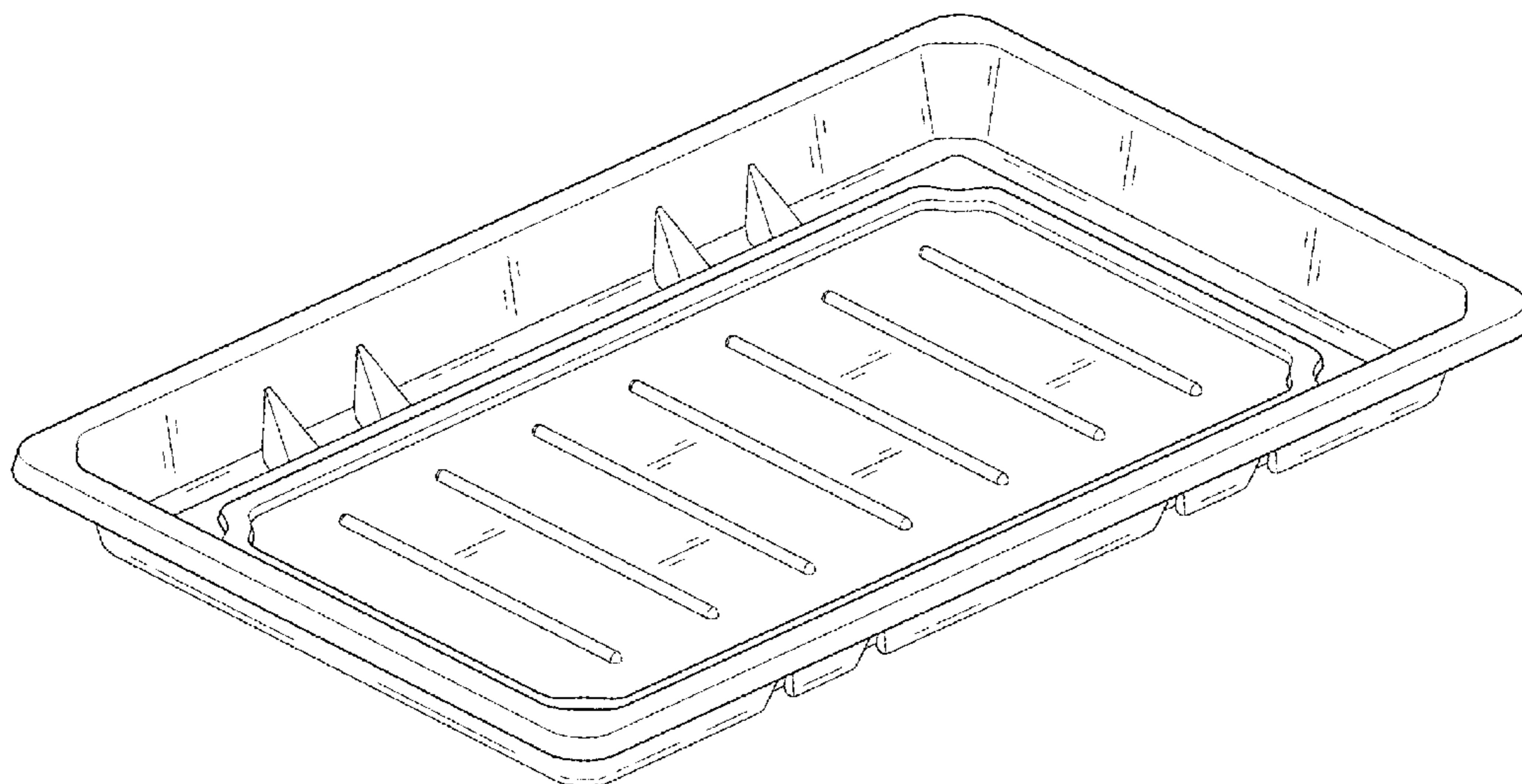
(57) **CLAIM**

The ornamental design for a food container tray, as shown and described.

**DESCRIPTION**

FIG. 1 is a top perspective view of a food container tray showing my new design;  
 FIG. 2 is a bottom perspective view thereof;  
 FIG. 3 is a front elevation view thereof, a rear elevation view being identical;  
 FIG. 4 is a left side elevation view thereof, a right side elevation view being identical;  
 FIG. 5 is a top plan view thereof; and,  
 FIG. 6 is a bottom plan view thereof.

**1 Claim, 6 Drawing Sheets**



(56)

**References Cited**

U.S. PATENT DOCUMENTS

8,474,610 B1 \* 7/2013 Knight ..... B65D 1/34  
206/204  
D770,232 S \* 11/2016 Brown ..... D7/554.3  
D770,271 S \* 11/2016 McBride ..... D9/424  
D778,154 S \* 2/2017 Strachan ..... D7/554.3  
2003/0108643 A1 \* 6/2003 Hornsby ..... A23B 4/16  
426/129  
2003/0170352 A1 \* 9/2003 Owen ..... B65D 77/003  
426/129  
2008/0160143 A1 \* 7/2008 Edwards ..... B65D 1/34  
426/129

\* cited by examiner

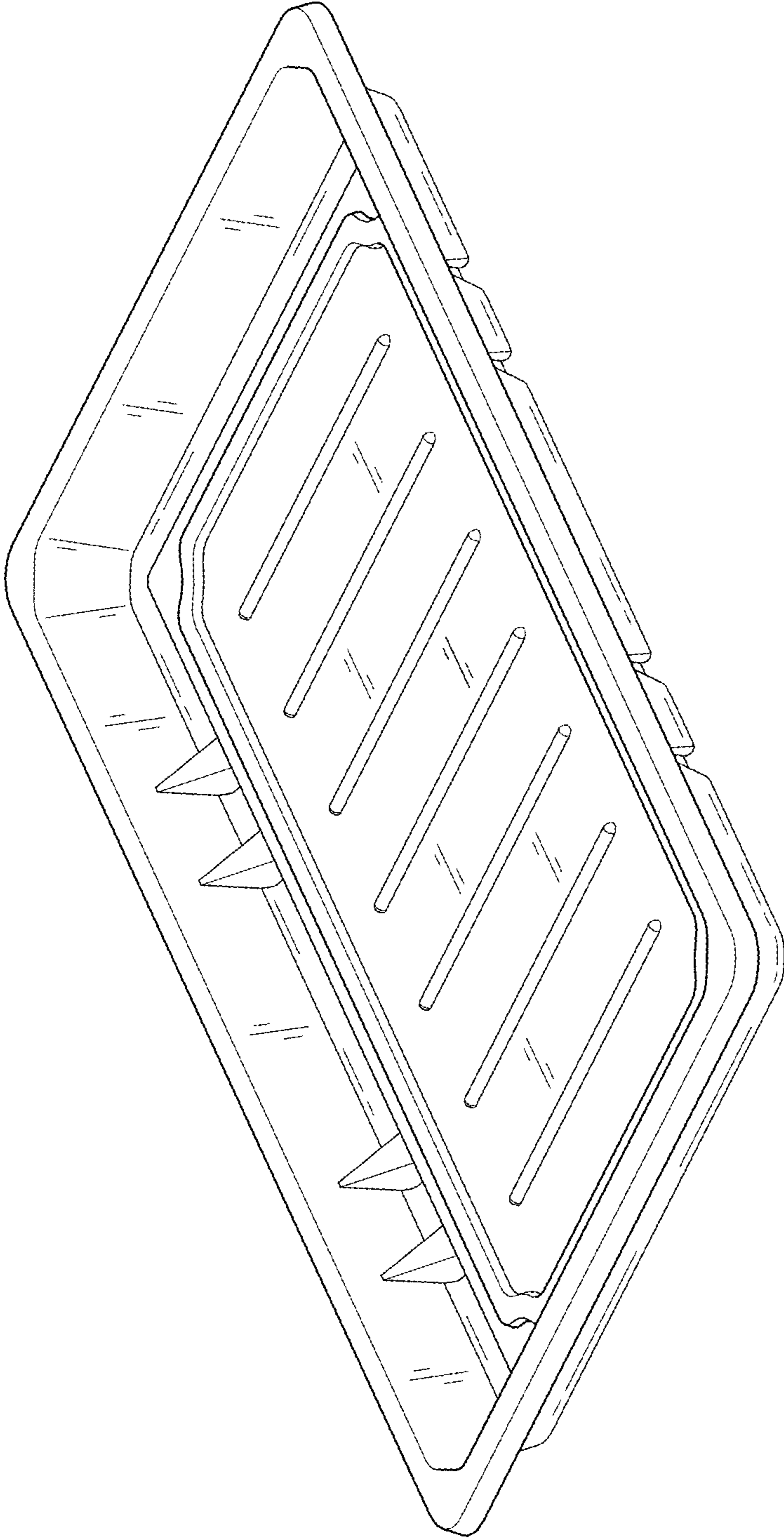


FIG. 1

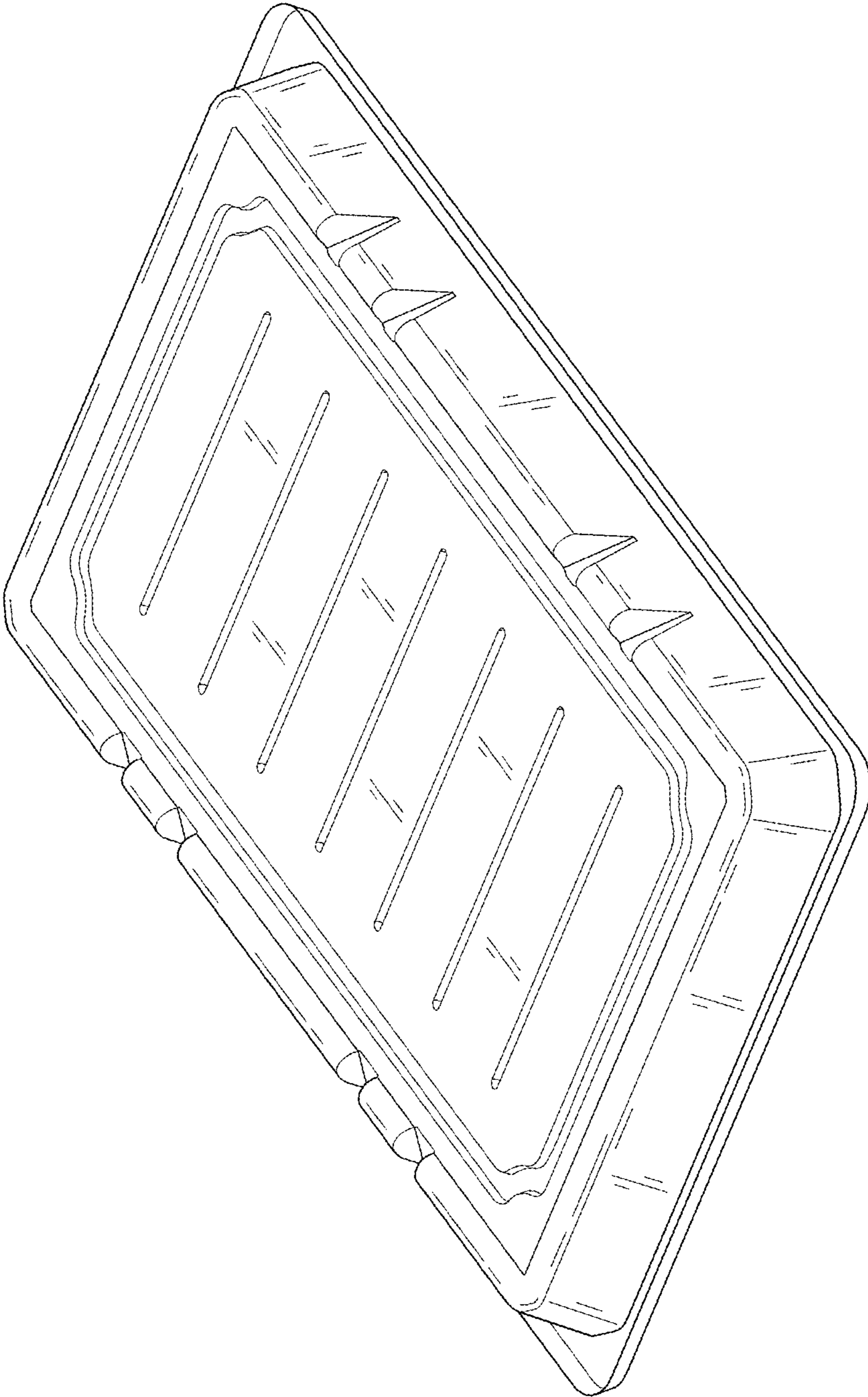


FIG.2

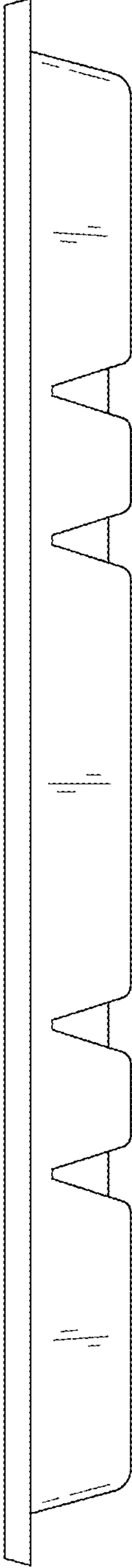


FIG.3

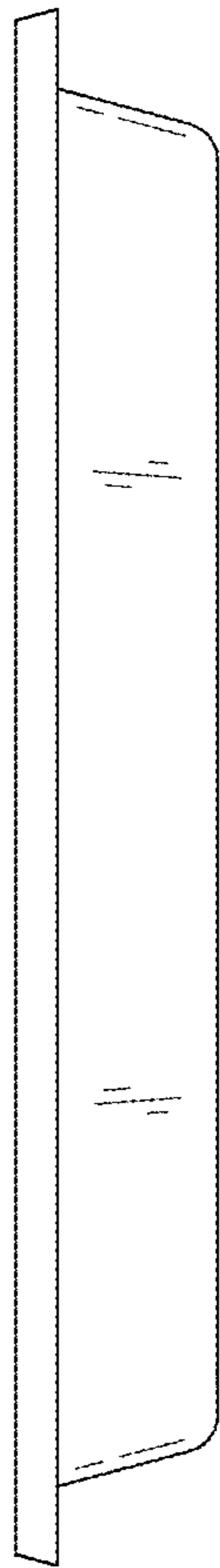


FIG.4

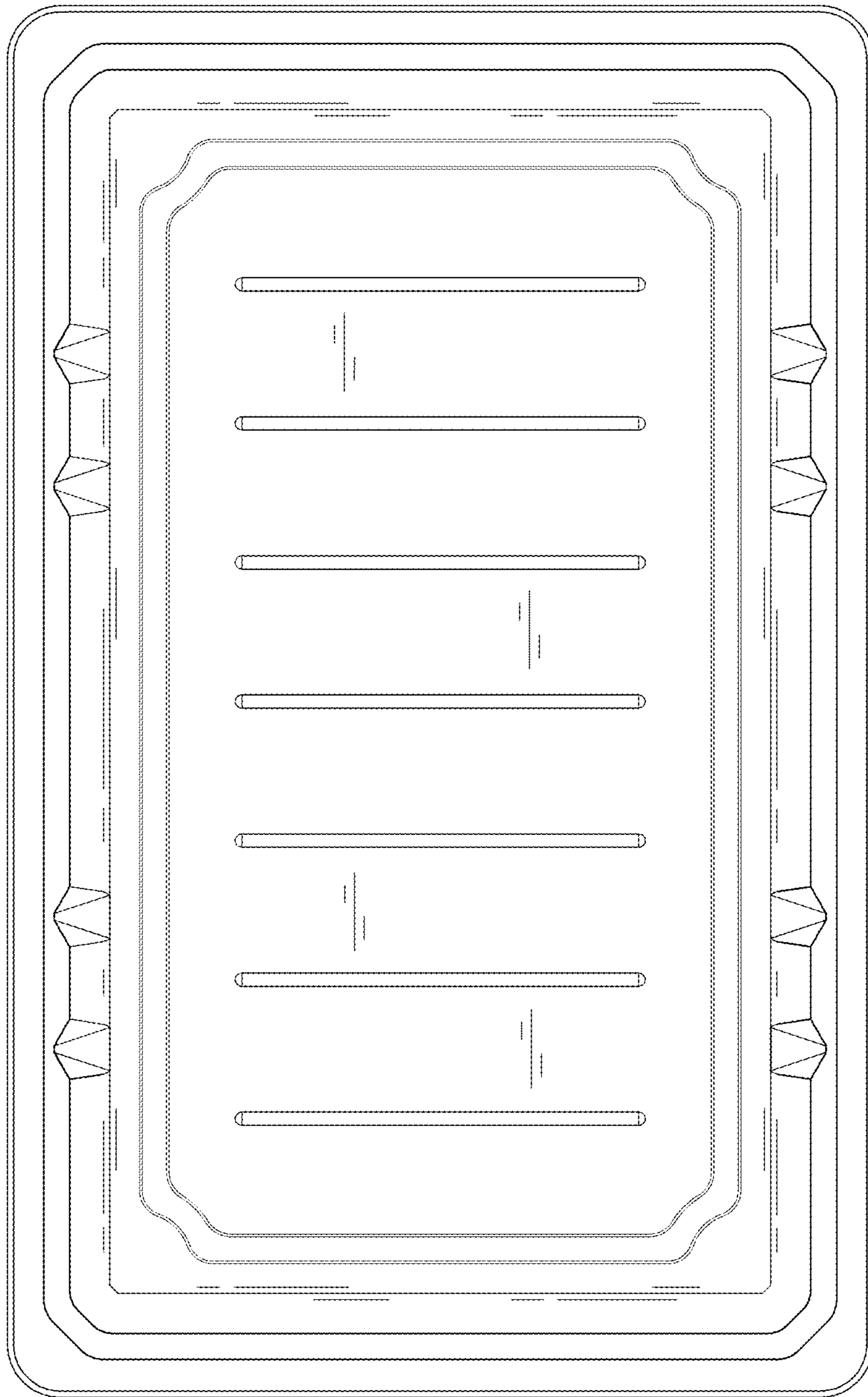


FIG. 5

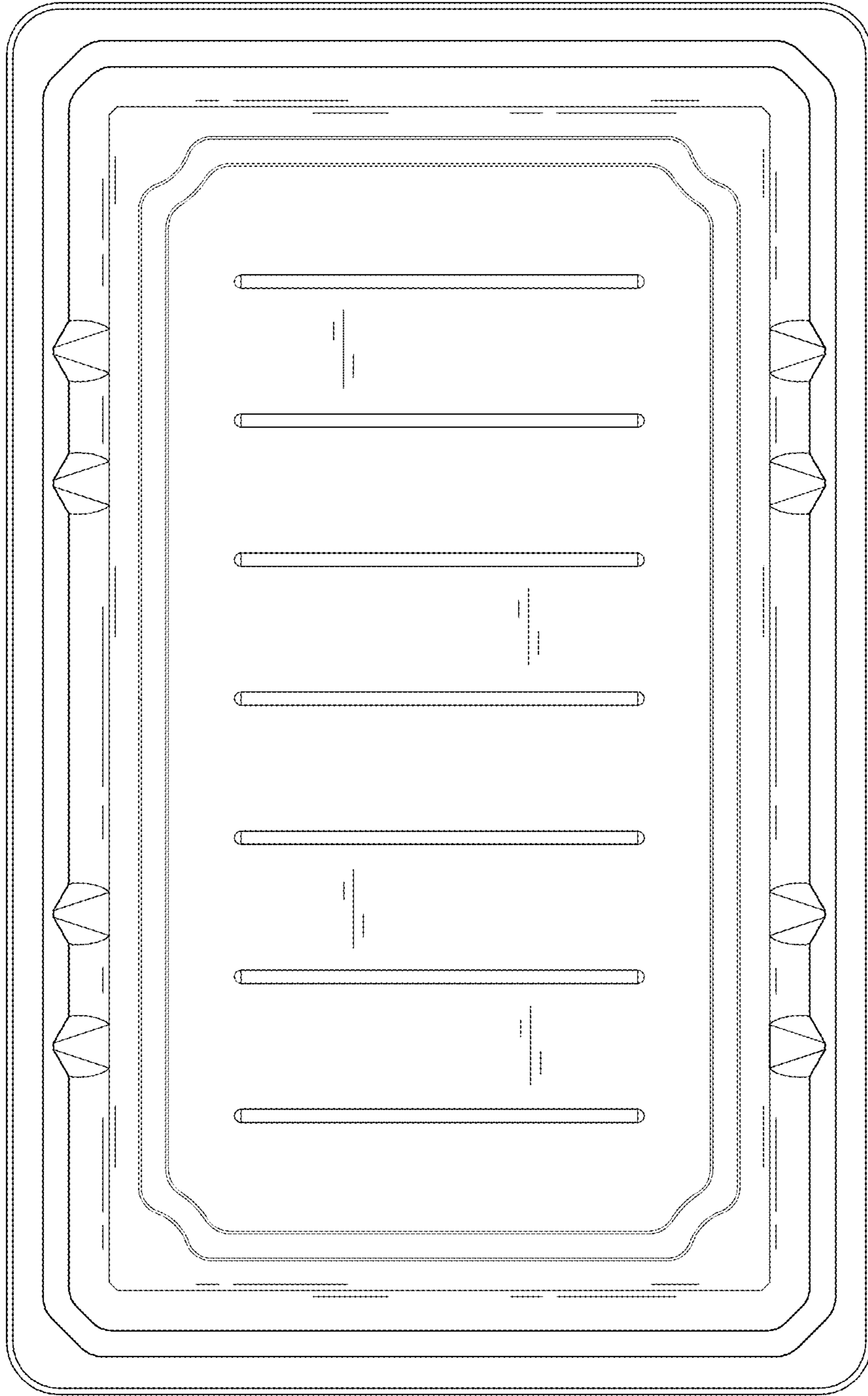


FIG.6