



US00D806533S

(12) **United States Design Patent**
Gruhl et al.

(10) **Patent No.:** **US D806,533 S**
(45) **Date of Patent:** **** Jan. 2, 2018**

- (54) **PRODUCT CONTAINER**
- (71) Applicant: **WM. WRIGLEY JR. COMPANY,**
Chicago, IL (US)
- (72) Inventors: **Kenneth Gruhl,** Chicago, IL (US);
Samantha Scipio, Chicago, IL (US)
- (73) Assignee: **WM. WRIGLEY JR. COMPANY,**
Chicago, IL (US)
- (**) Term: **15 Years**
- (21) Appl. No.: **29/592,575**
- (22) Filed: **Jan. 31, 2017**
- (51) **LOC (11) Cl.** **09-03**
- (52) **U.S. Cl.**
USPC **D9/420**
- (58) **Field of Classification Search**
USPC D9/414, 416, 418, 420, 423, 424, 425,
D9/432, 730; D3/201, 203.1, 273, 294,
D3/298, 299, 300, 304, 314; D7/601,
D7/502, 605, 701, 703, 708
CPC B65D 51/20; B65D 2543/00194; B65D
2543/00101; B65D 2577/205; B65D
51/18; B65D 2543/00425; B65D
2251/105; B65D 2543/00231; B65D
2571/0029; B65D 2519/00273
See application file for complete search history.

D546,670 S *	7/2007	Sainz	D9/420
D547,645 S *	7/2007	Sainz	D9/420
D559,676 S *	1/2008	Kutsch	D9/420
D560,488 S *	1/2008	Rust	D9/414
D603,698 S *	11/2009	VerWeyst	D9/500
D728,362 S *	5/2015	Kelly	D9/420
D735,476 S *	8/2015	Duvigneau	D3/294
2008/0202955 A1 *	8/2008	Kutsch	B65D 1/22 206/236
2008/0308569 A1 *	12/2008	Cronin	A45C 11/00 220/835
2014/0291191 A1 *	10/2014	Johnson	A47K 10/421 206/494

* cited by examiner

Primary Examiner — Lauren Calve

(57) **CLAIM**

We claim the ornamental design for a product container, as substantially shown and spdescribed.

DESCRIPTION

FIG. 1 is a perspective view of a product container of the present invention.
 FIG. 2 is a front view of the product container of the present invention.
 FIG. 3 is a back view of the product container of the present invention.
 FIG. 4 is a right side view of the product container of the present invention.
 FIG. 5 is a left side view of the product container of the present invention.
 FIG. 6 is a top plan view of the product container of the present invention; and,
 FIG. 7 is a bottom plan view of the product container of the present invention.

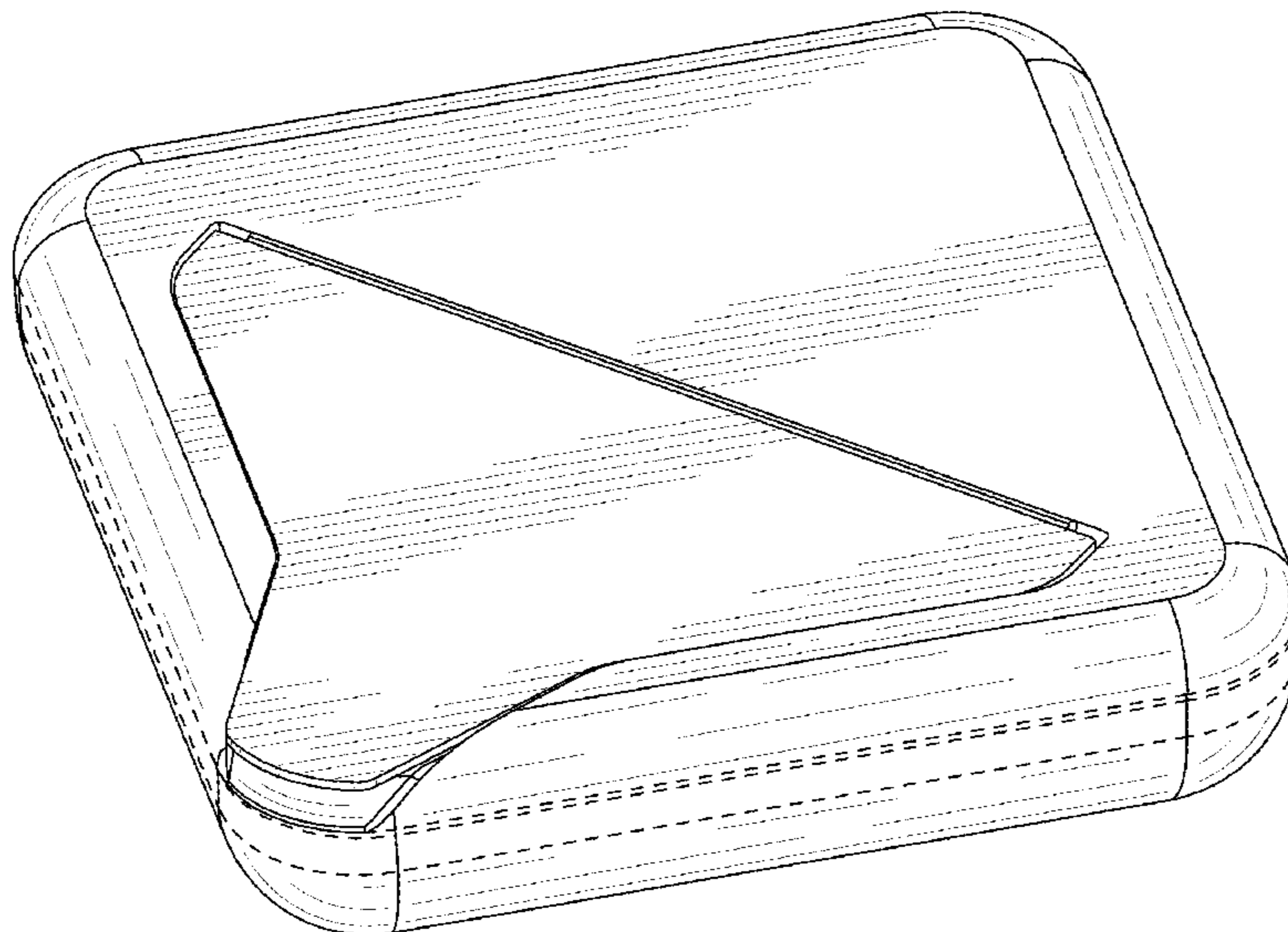
The ornamental design which is claimed is shown in solid lines in the drawings. The broken lines in the drawings form no part of the claimed design.

1 Claim, 5 Drawing Sheets

(56) **References Cited**

U.S. PATENT DOCUMENTS

2,120,905 A *	6/1938	Moore	B65D 43/18 206/819
D282,690 S *	2/1986	Legrottaglie	D28/83
D285,177 S *	8/1986	Goetz	D28/83
D462,613 S *	9/2002	Bried	D3/294
D464,567 S *	10/2002	Baerenwald	D9/432
D474,402 S *	5/2003	Baerenwald	D9/420



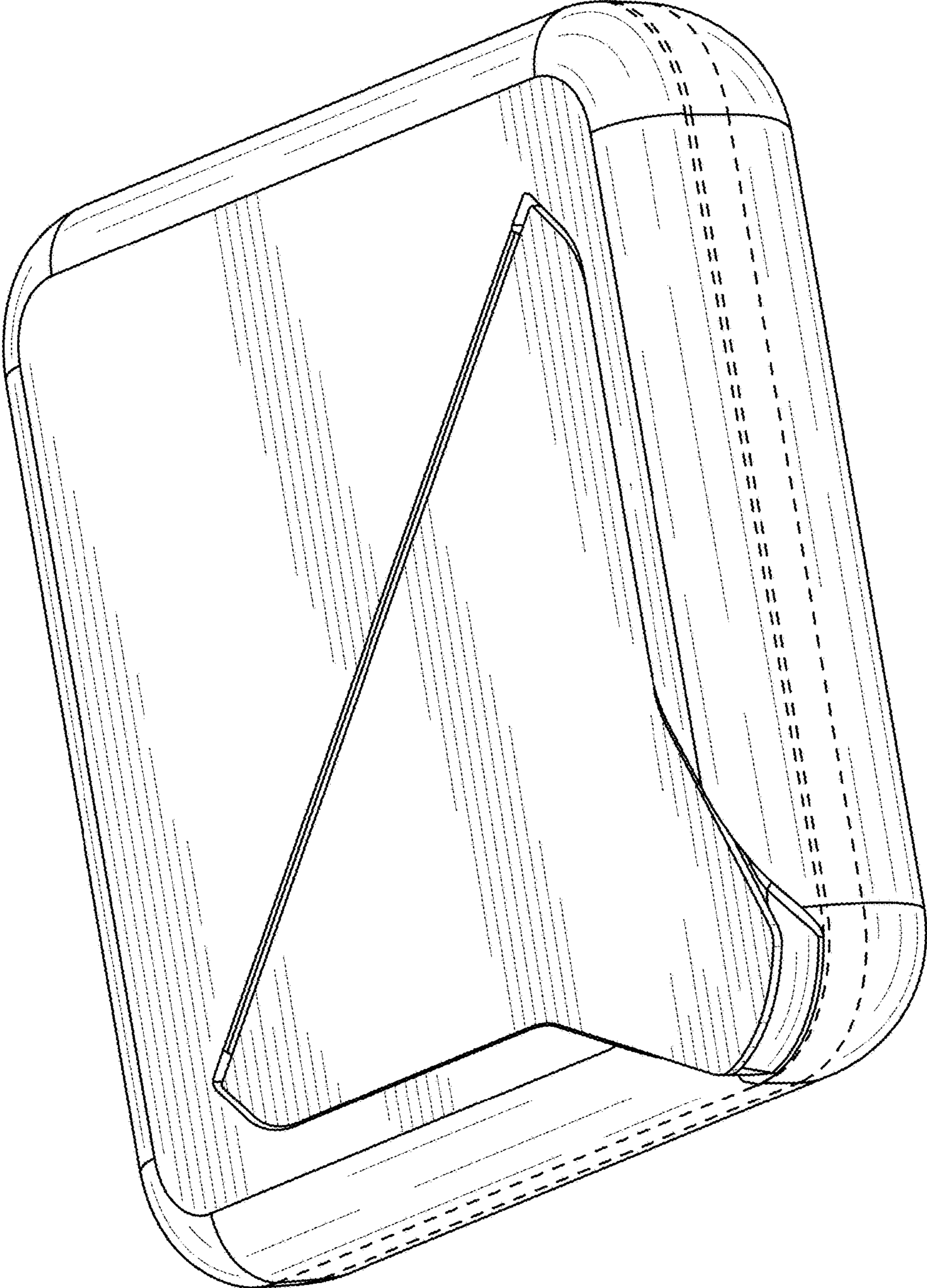


FIG. 1

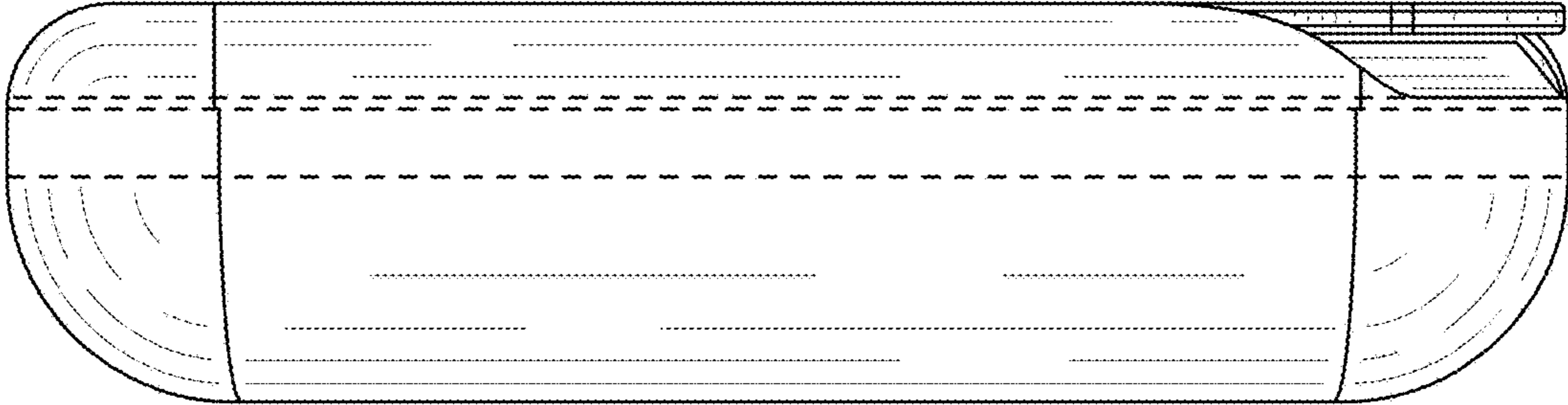


FIG. 2

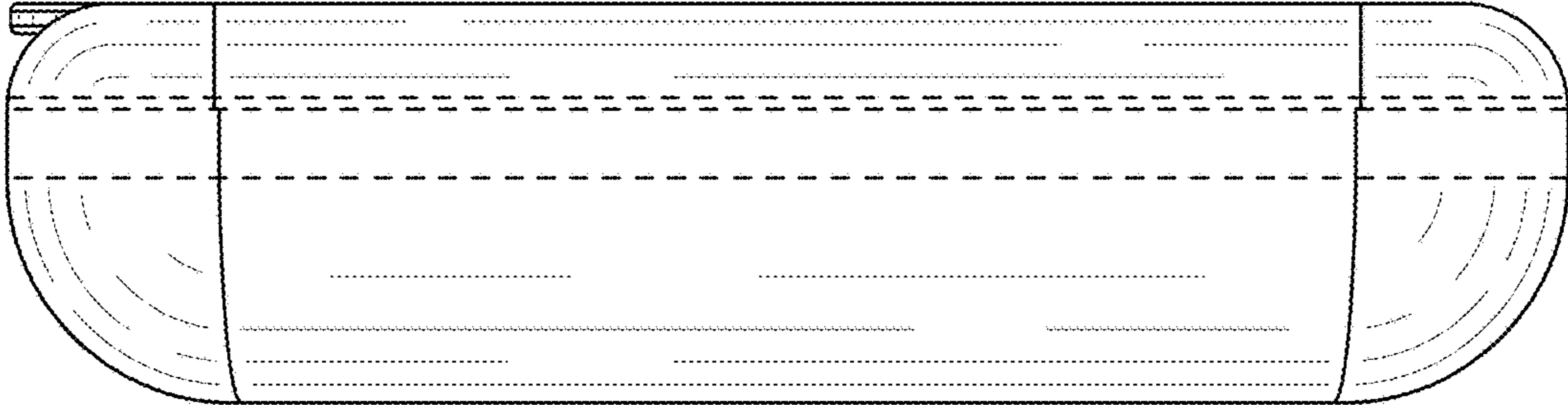


FIG. 3

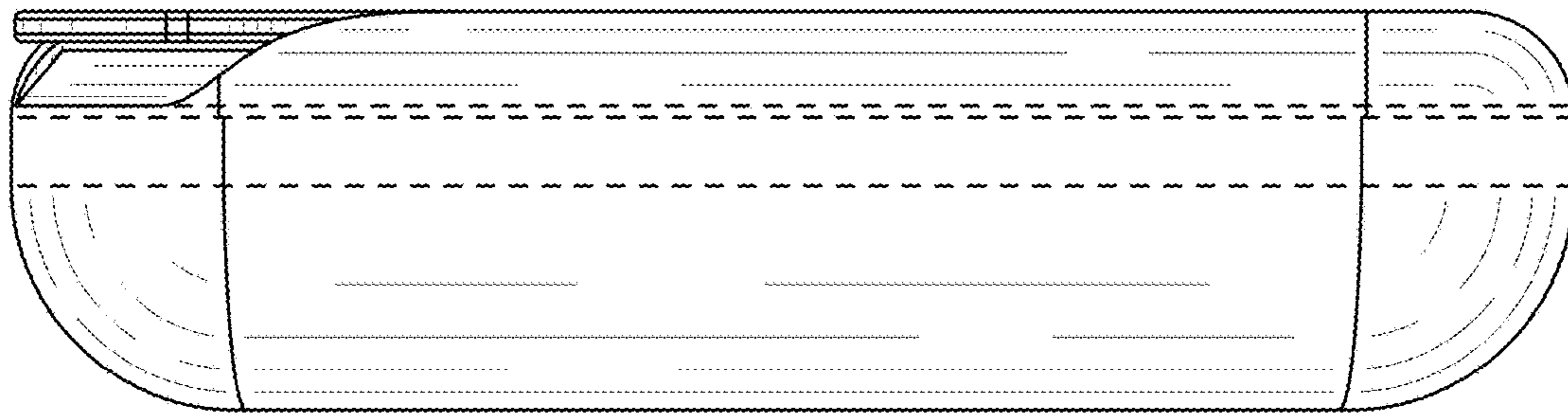


FIG. 4

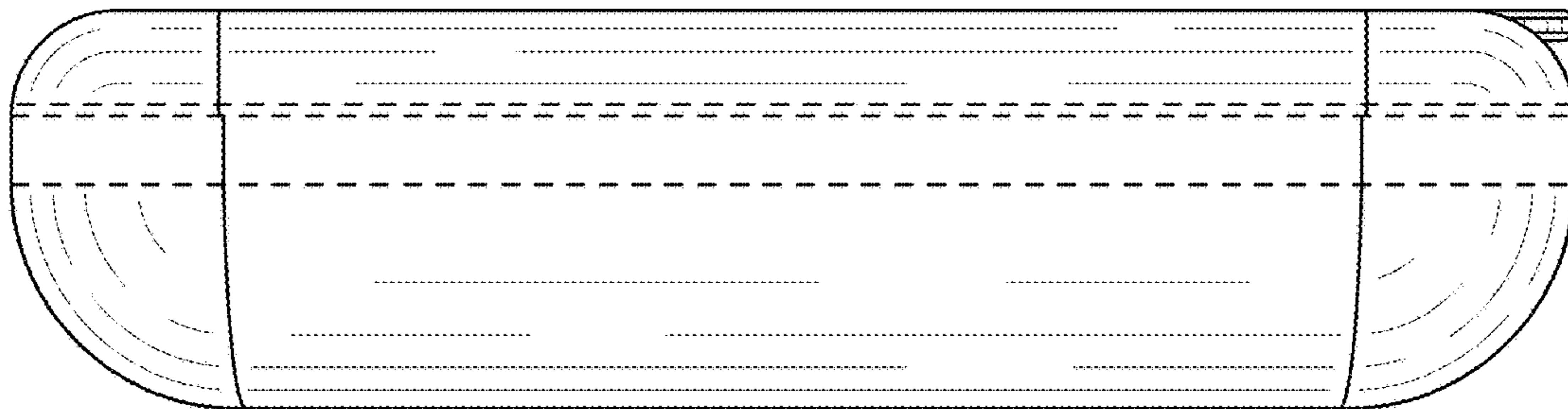


FIG. 5

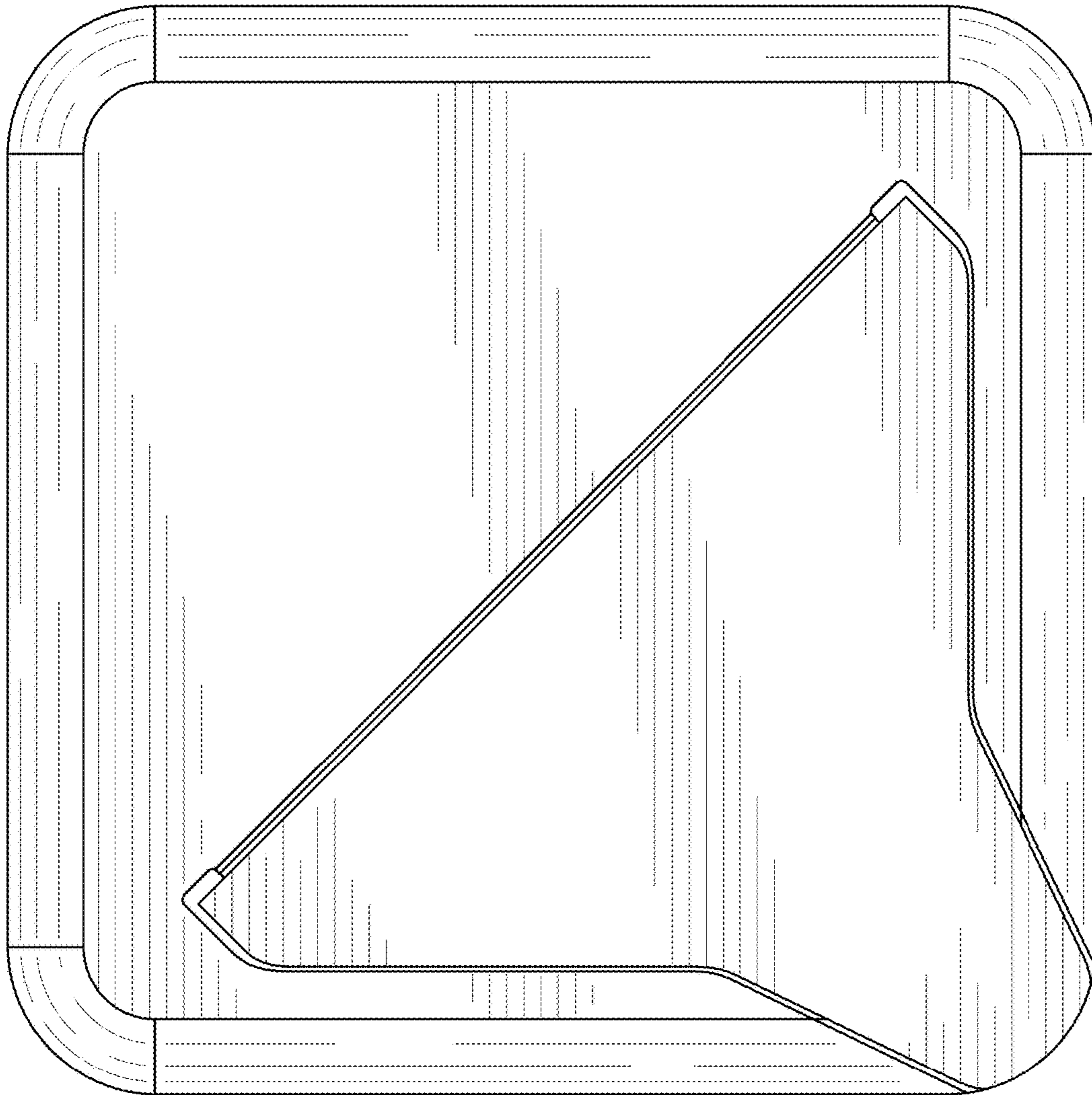


FIG. 6

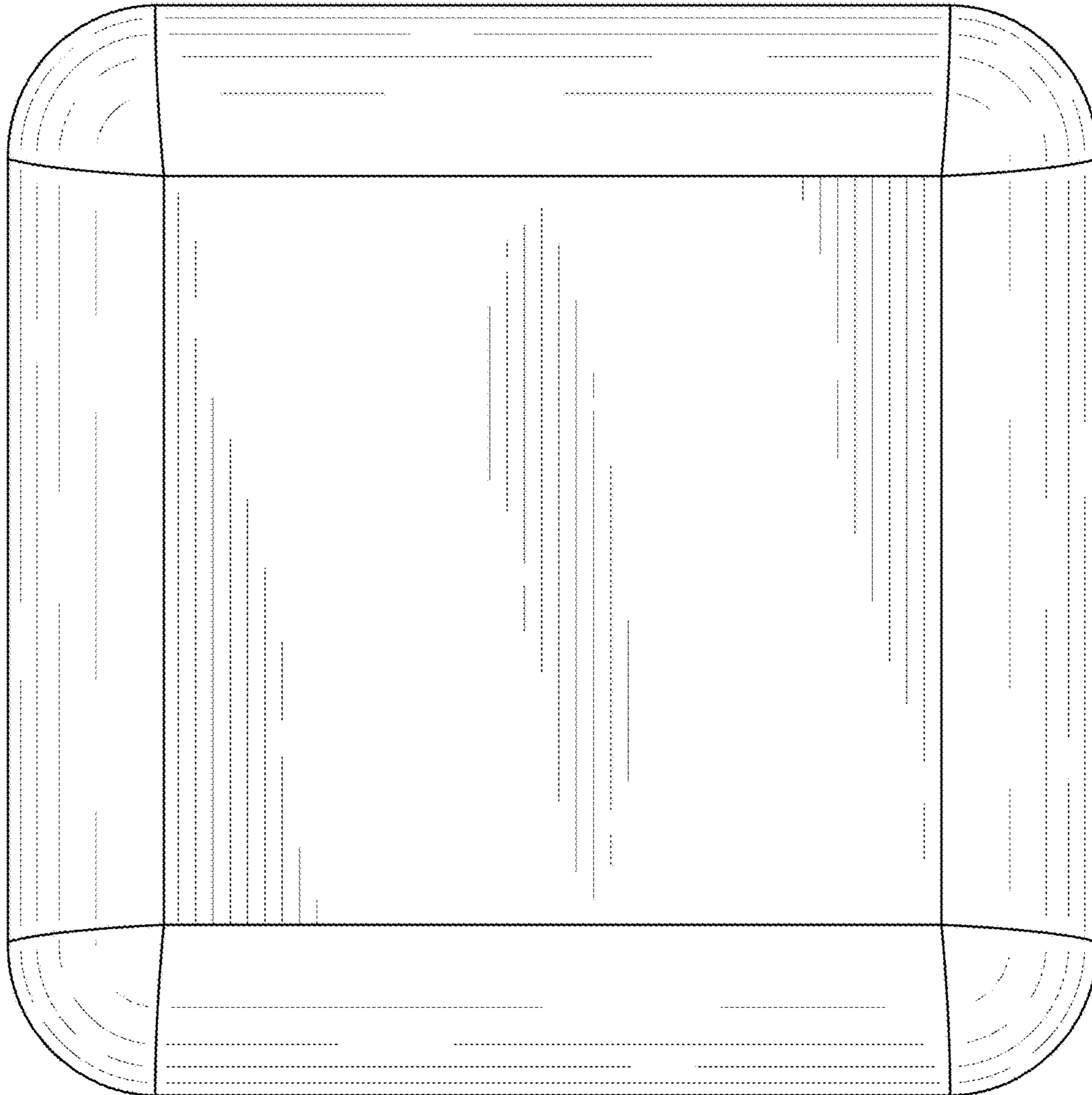


FIG. 7