

US00D806530S

(12) **United States Design Patent**
Mack

(10) **Patent No.:** **US D806,530 S**

(45) **Date of Patent:** **** Jan. 2, 2018**

(54) **PACKAGING CONTAINER**

(71) Applicant: **Hornady Manufacturing Company,**
Grand Island, NE (US)

(72) Inventor: **Matthew Mack,** Grand Island, NE (US)

(73) Assignee: **Hornady Manufacturing Company,**
Grand Island, NE (US)

(**) Term: **15 Years**

(21) Appl. No.: **29/568,068**

(22) Filed: **Jun. 15, 2016**

(51) **LOC (11) Cl.** **09-03**

(52) **U.S. Cl.**
USPC **D9/415**

(58) **Field of Classification Search**
USPC D9/414, 418, 423, 432, 456, 499, 737;
D7/601, 555, 554.3; D3/272, 294, 900,
D3/905; D99/28
CPC . B65D 1/00; B65D 3/00; B65D 23/00; B65D
81/00; A45C 5/00; A45C 5/03; A45C
2005/032; A45C 2005/037; A45C 11/00;
E05G 1/005; E05G 2700/00; E05G
2700/02

See application file for complete search history.

(56) **References Cited**

U.S. PATENT DOCUMENTS

D244,580 S * 6/1977 Keough D9/456
D315,868 S * 4/1991 Gelardi D9/456
D320,738 S * 10/1991 Kanda D9/737
D361,514 S * 8/1995 Krupa D7/357
D367,607 S * 3/1996 Johnson D9/737

D395,166 S * 6/1998 Grey D3/319
D402,137 S * 12/1998 Blazeovich D6/682.4
D411,445 S * 6/1999 Anderson D3/203.3
D414,106 S * 9/1999 Anderson D3/203.3
D516,914 S * 3/2006 Ducharme D9/456
D631,352 S * 1/2011 Gilfert D9/456
D779,339 S * 2/2017 Stronski D9/457
D786,621 S * 5/2017 Davis D7/553.1

* cited by examiner

Primary Examiner — Wan Laymon

Assistant Examiner — Clint A Samuel

(74) *Attorney, Agent, or Firm* — McHale & Slavin, P.A.

(57) **CLAIM**

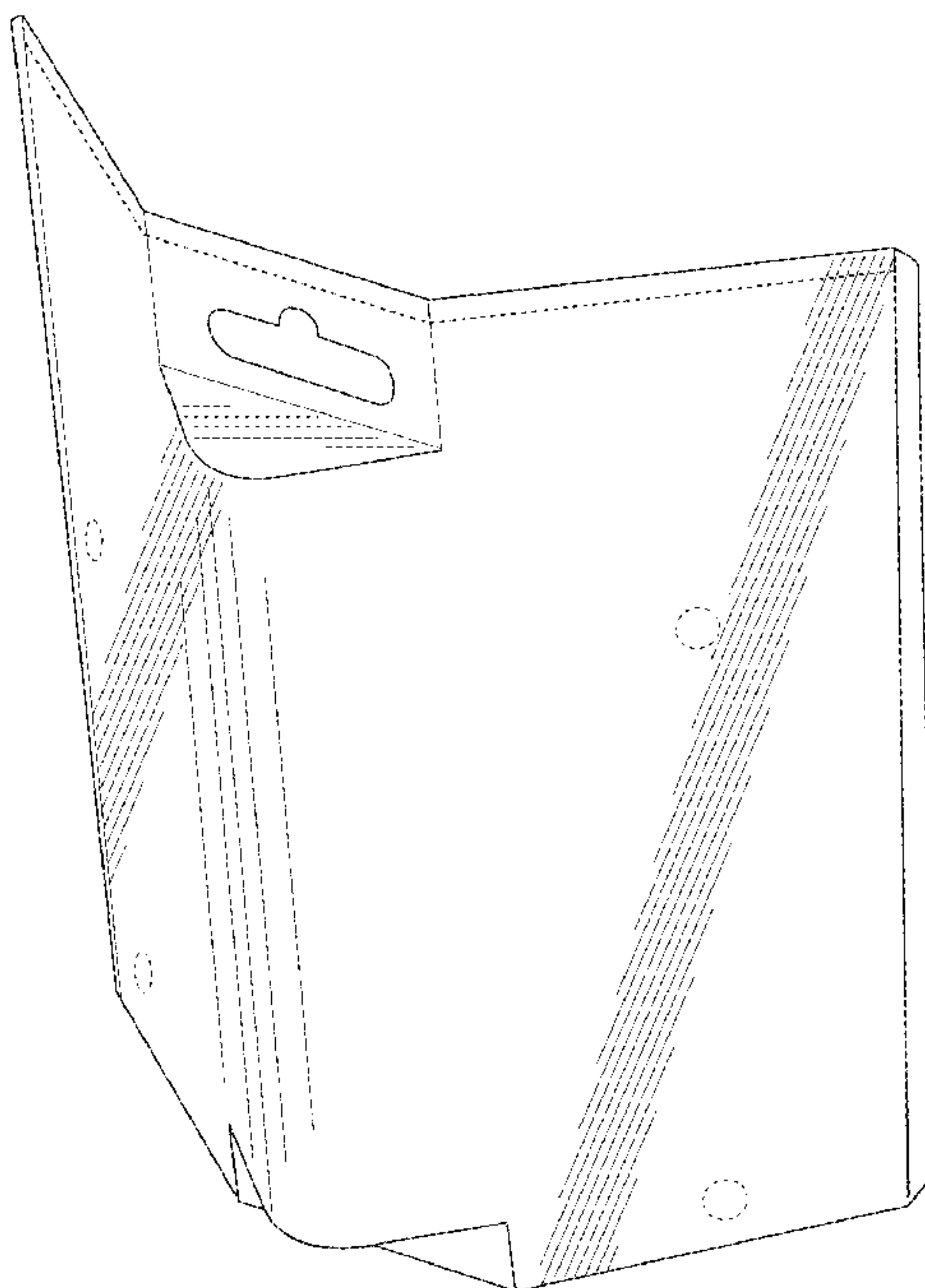
The ornamental design for a packaging container, as shown and described.

DESCRIPTION

FIG. 1 is a top right isometric view of the packaging container of the present invention; FIG. 2 is a rear isometric view thereof; FIG. 3 is a front view thereof; FIG. 4 is a rear view thereof; FIG. 5 is a top view thereof; FIG. 6 is a bottom view thereof; FIG. 7 is a left side view thereof; FIG. 8 is a right side view thereof; and, FIG. 9 is an environmental view thereof illustrating the packaging container being utilized to display a gun support device.

The portions of the packaging container illustrated in broken lines form no part of the claimed subject matter.

1 Claim, 9 Drawing Sheets



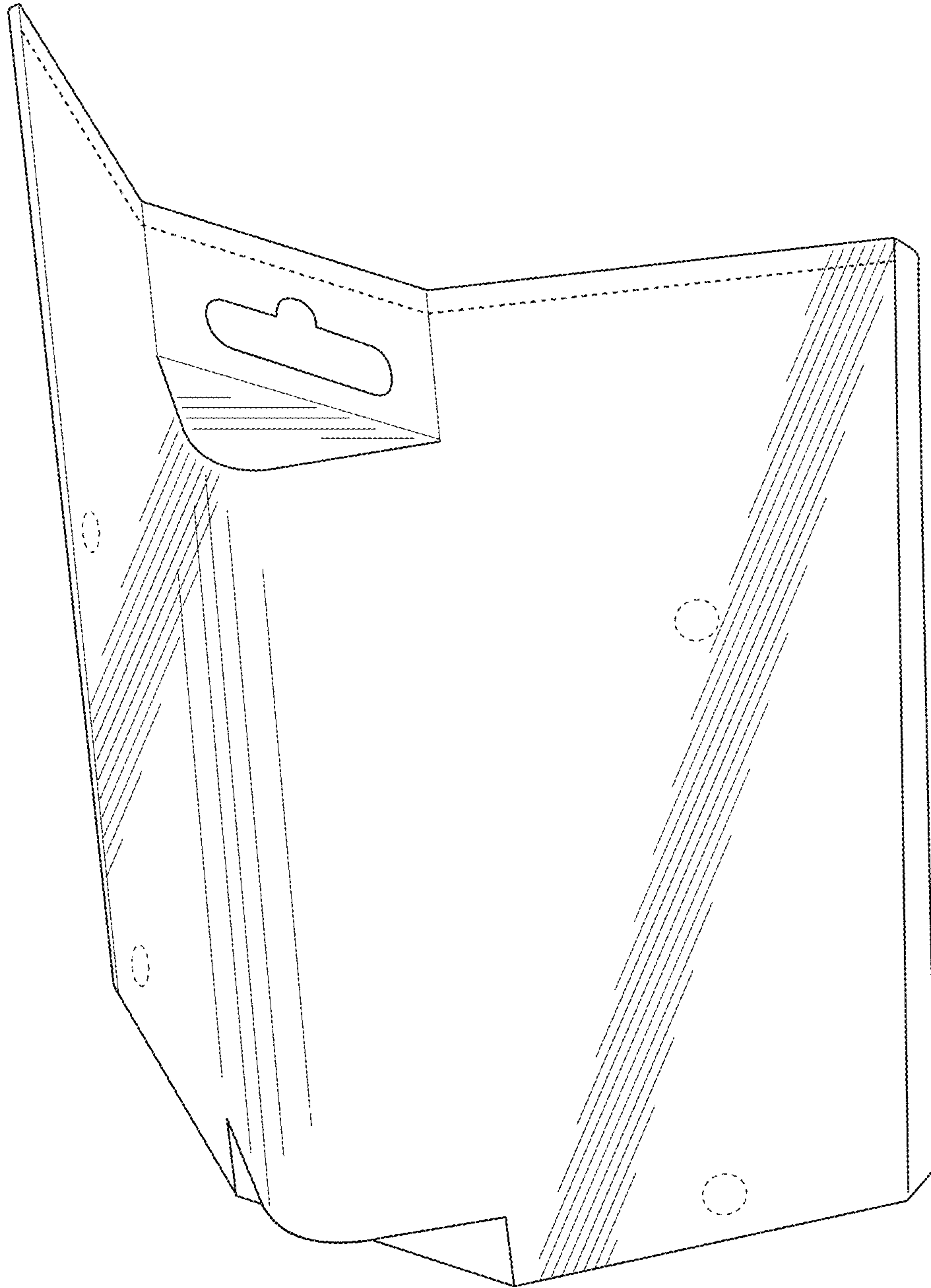


FIG. 1

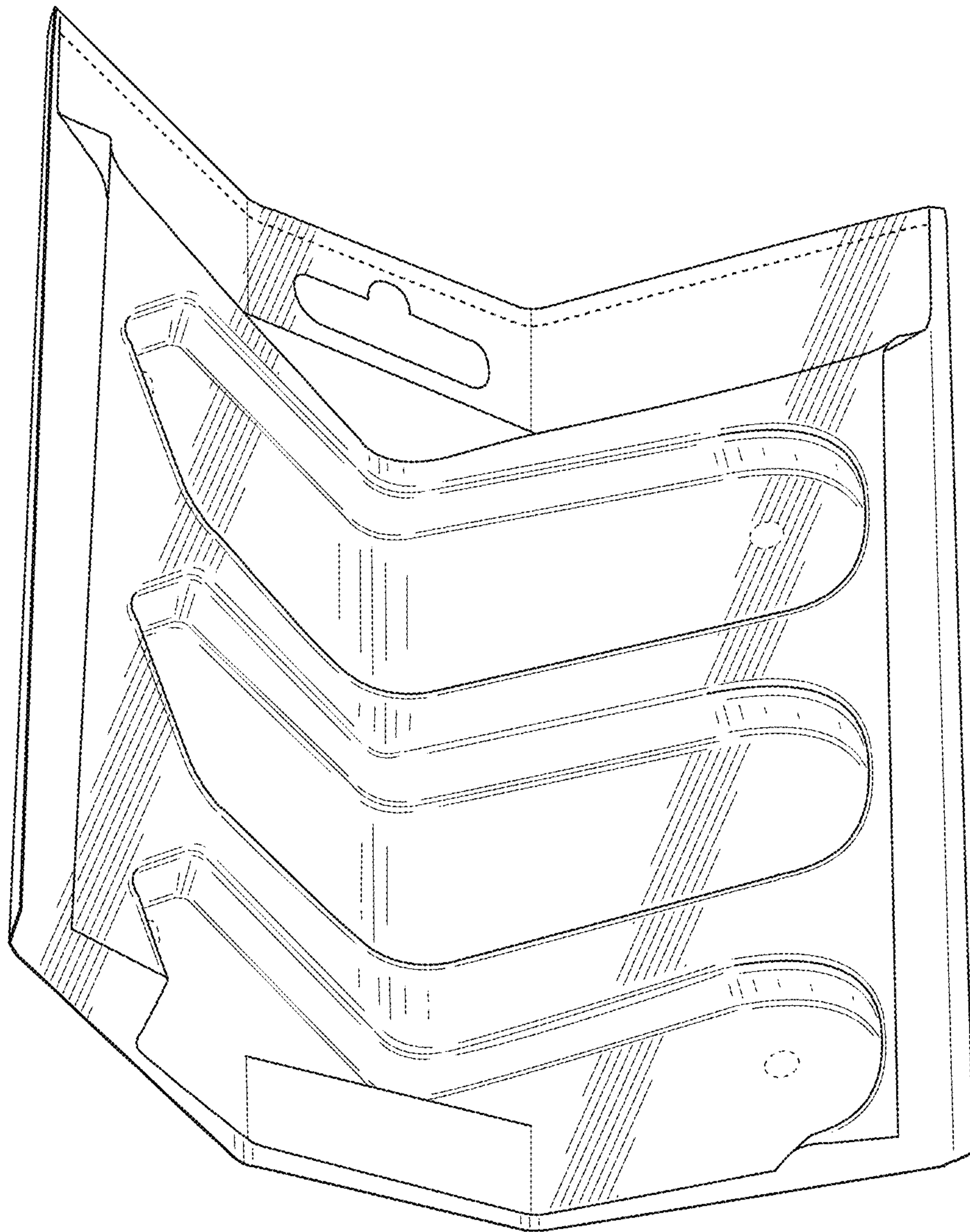


FIG. 2

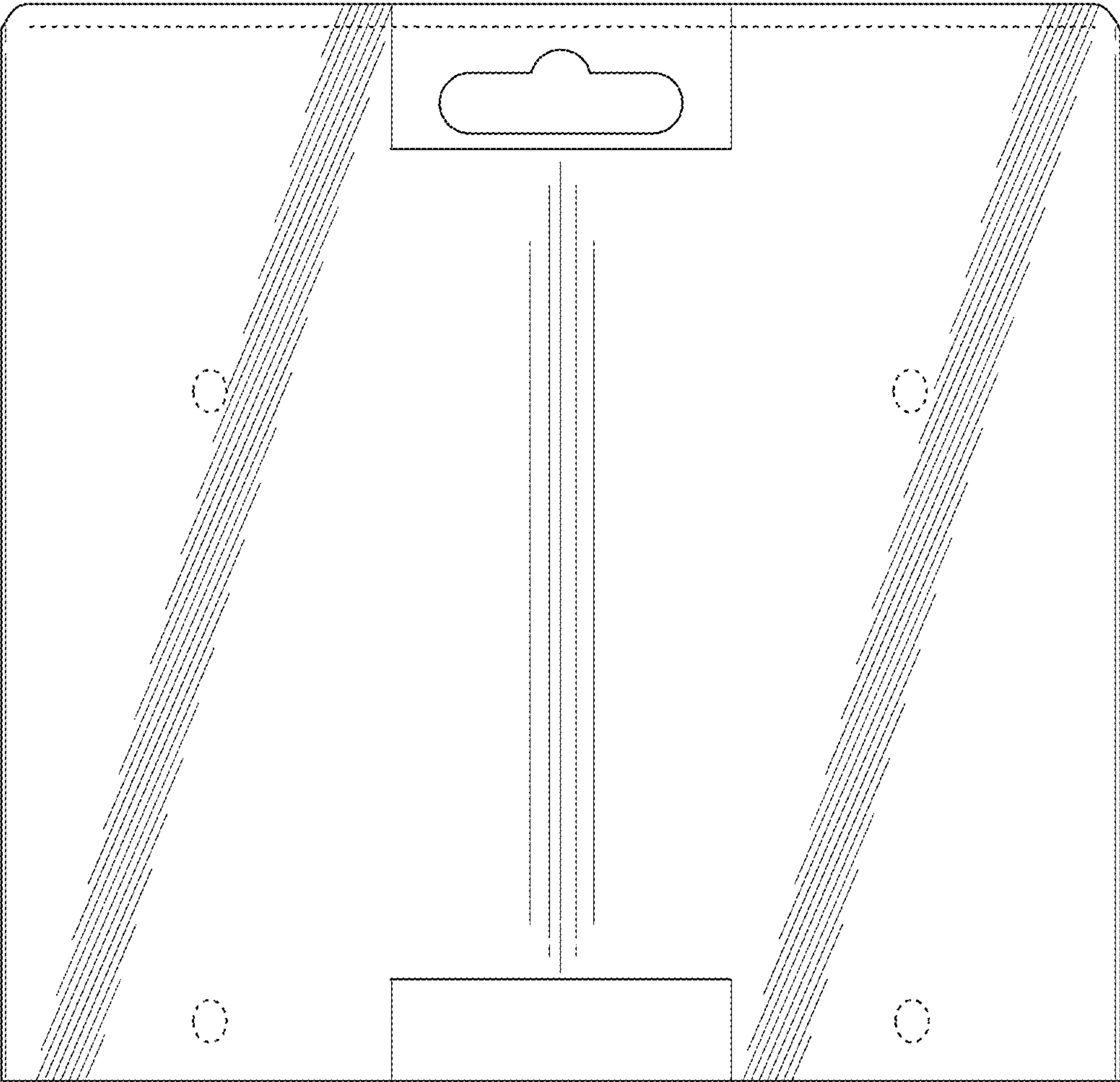


FIG. 3

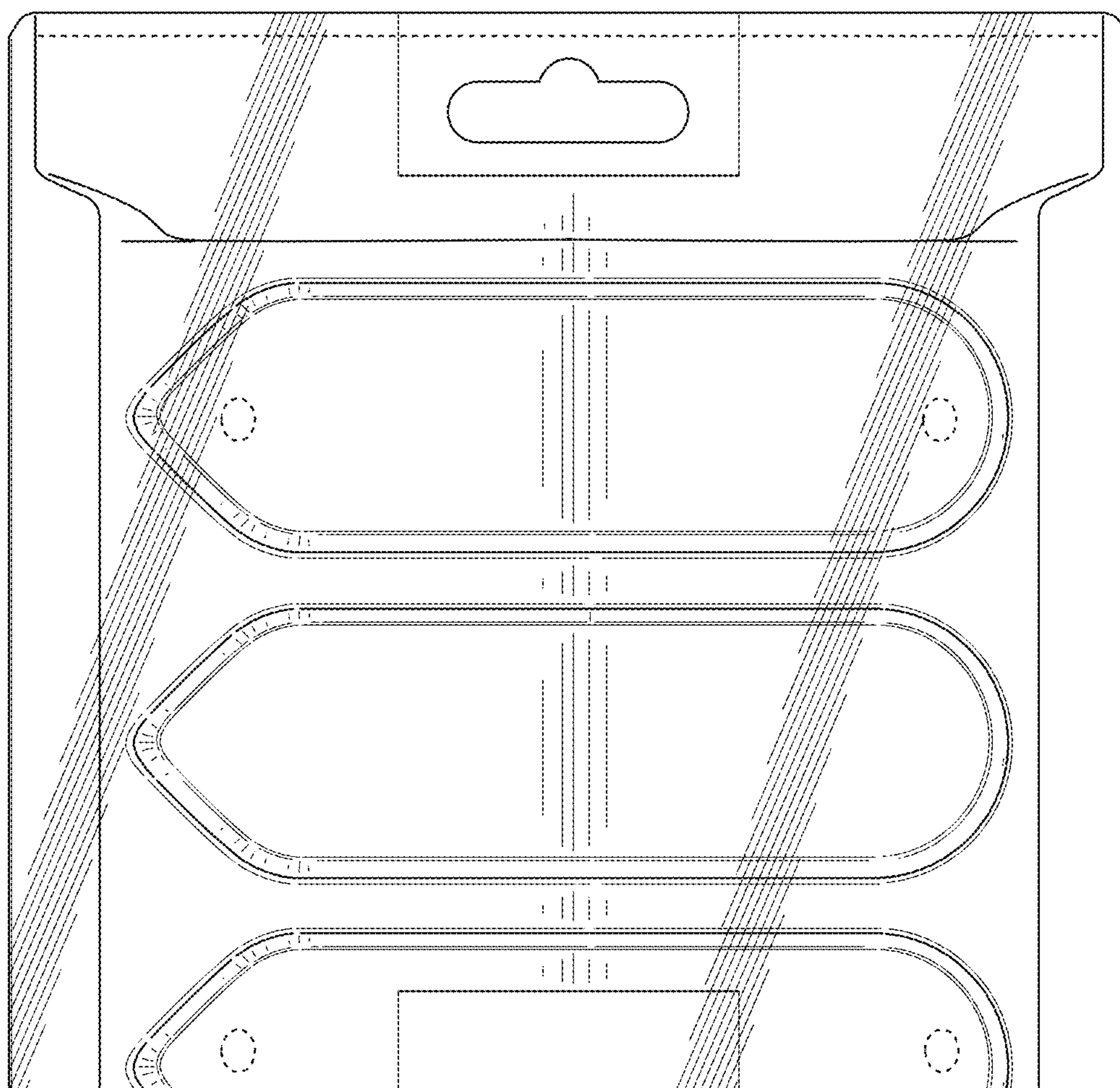


FIG. 4

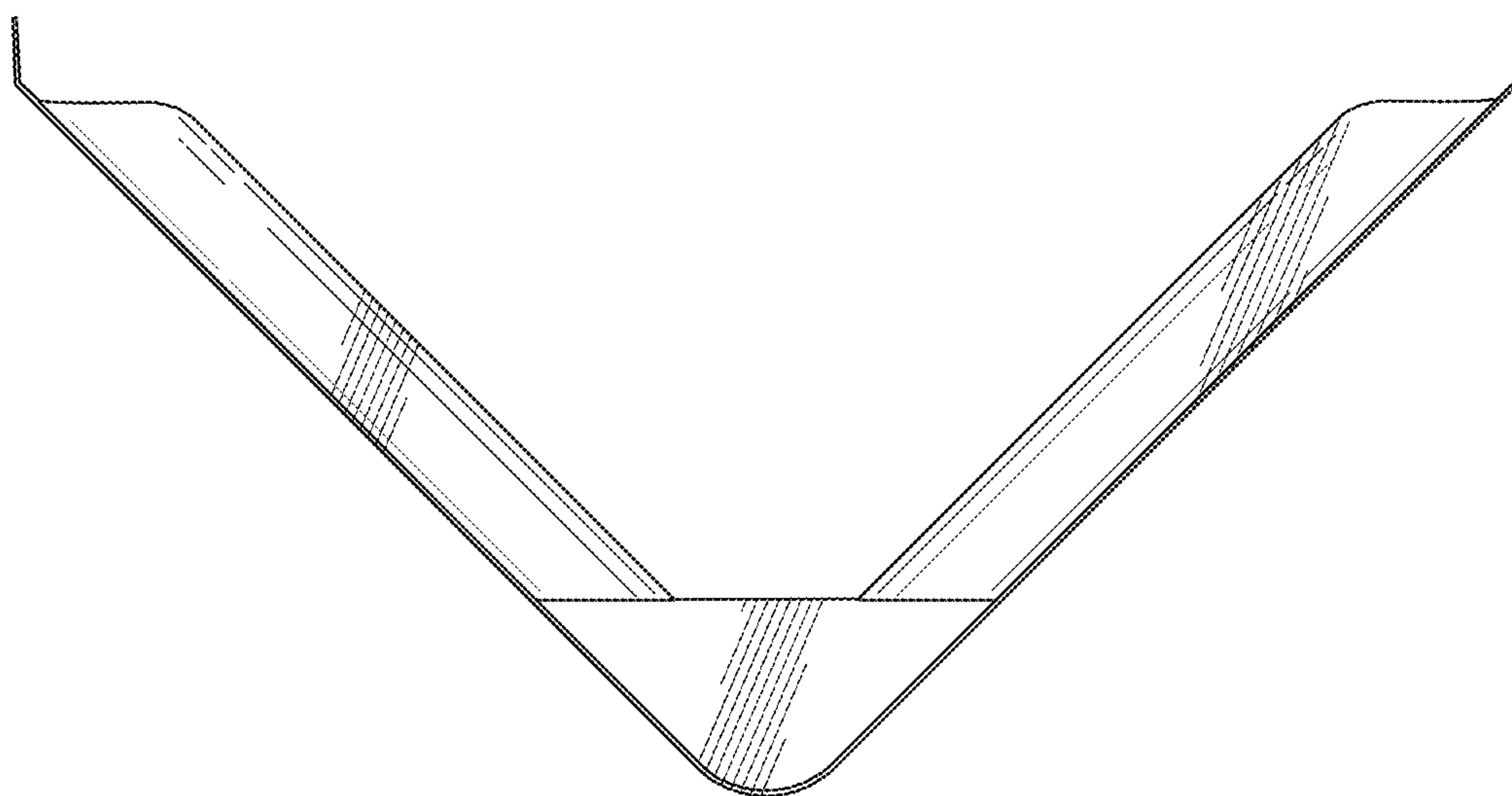


FIG. 5

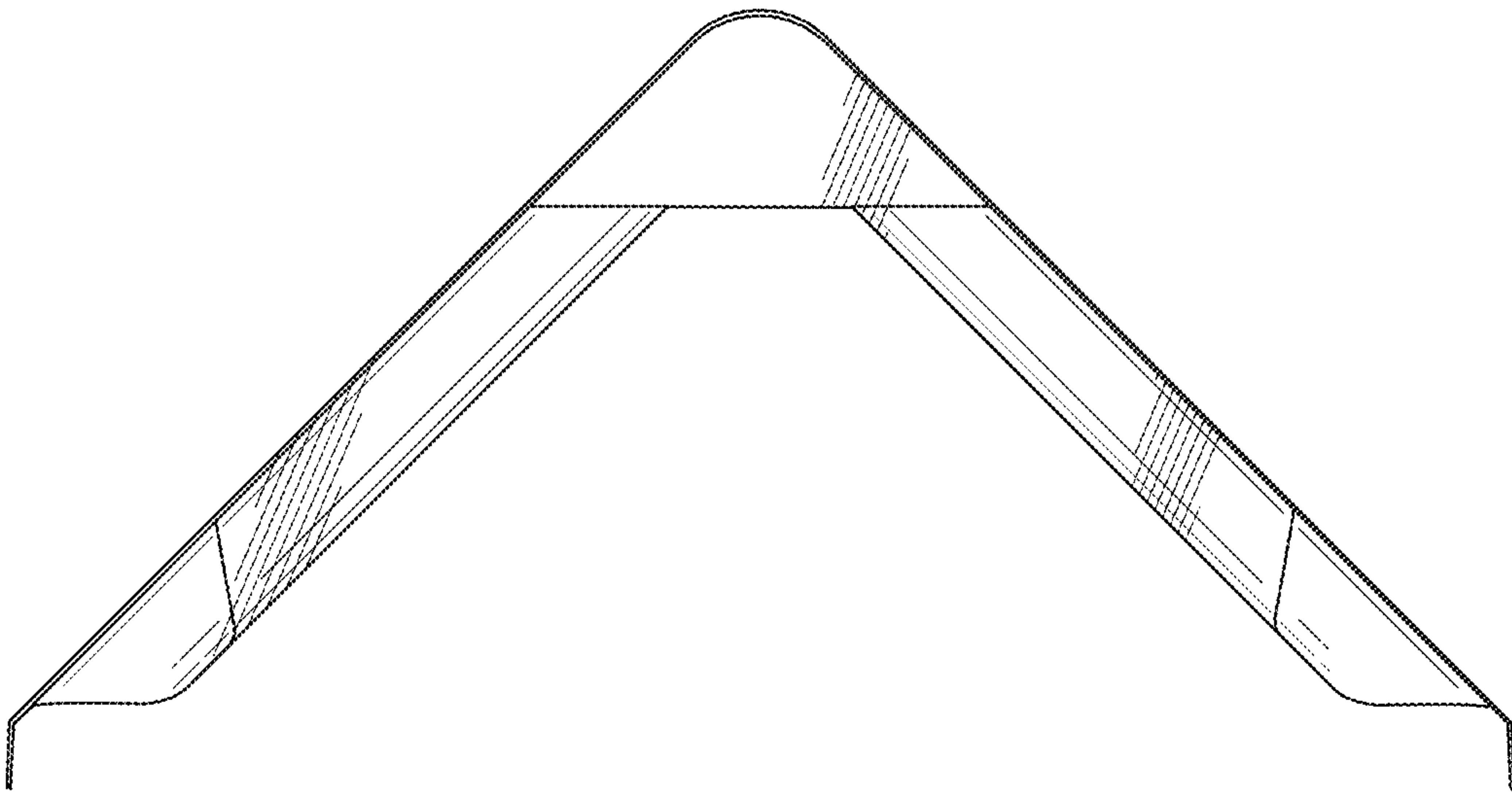


FIG. 6

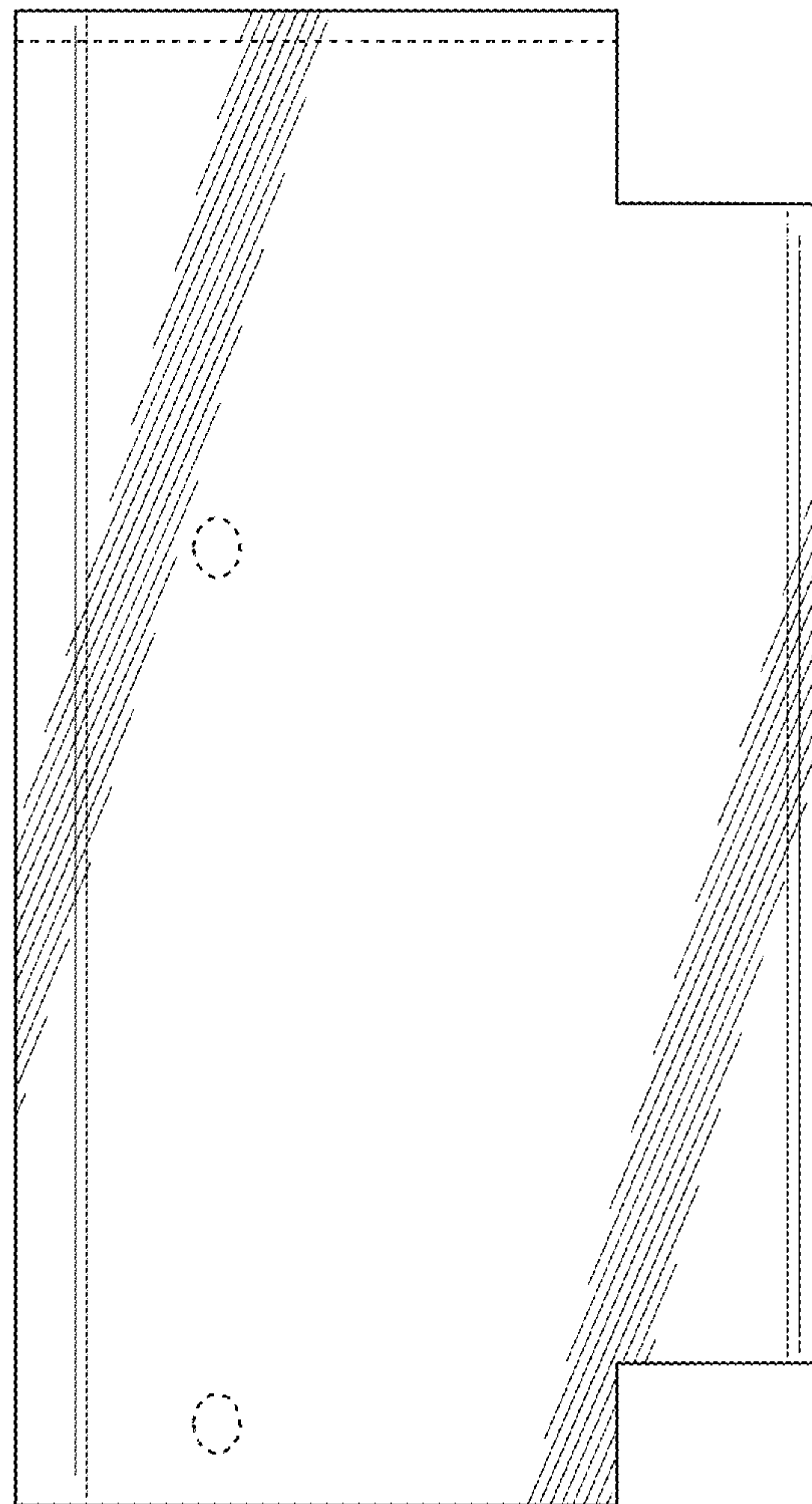


FIG. 7

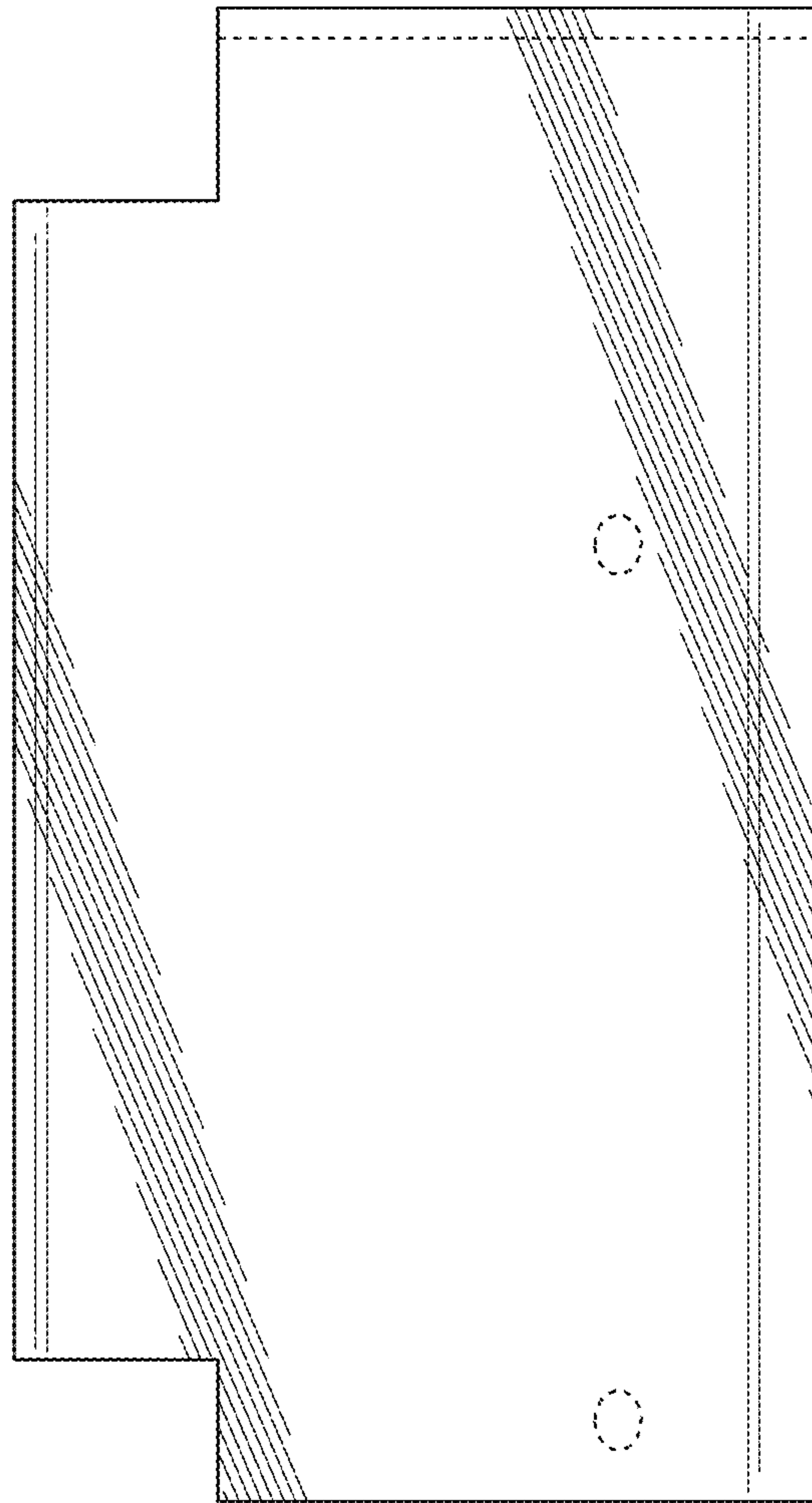


FIG. 8

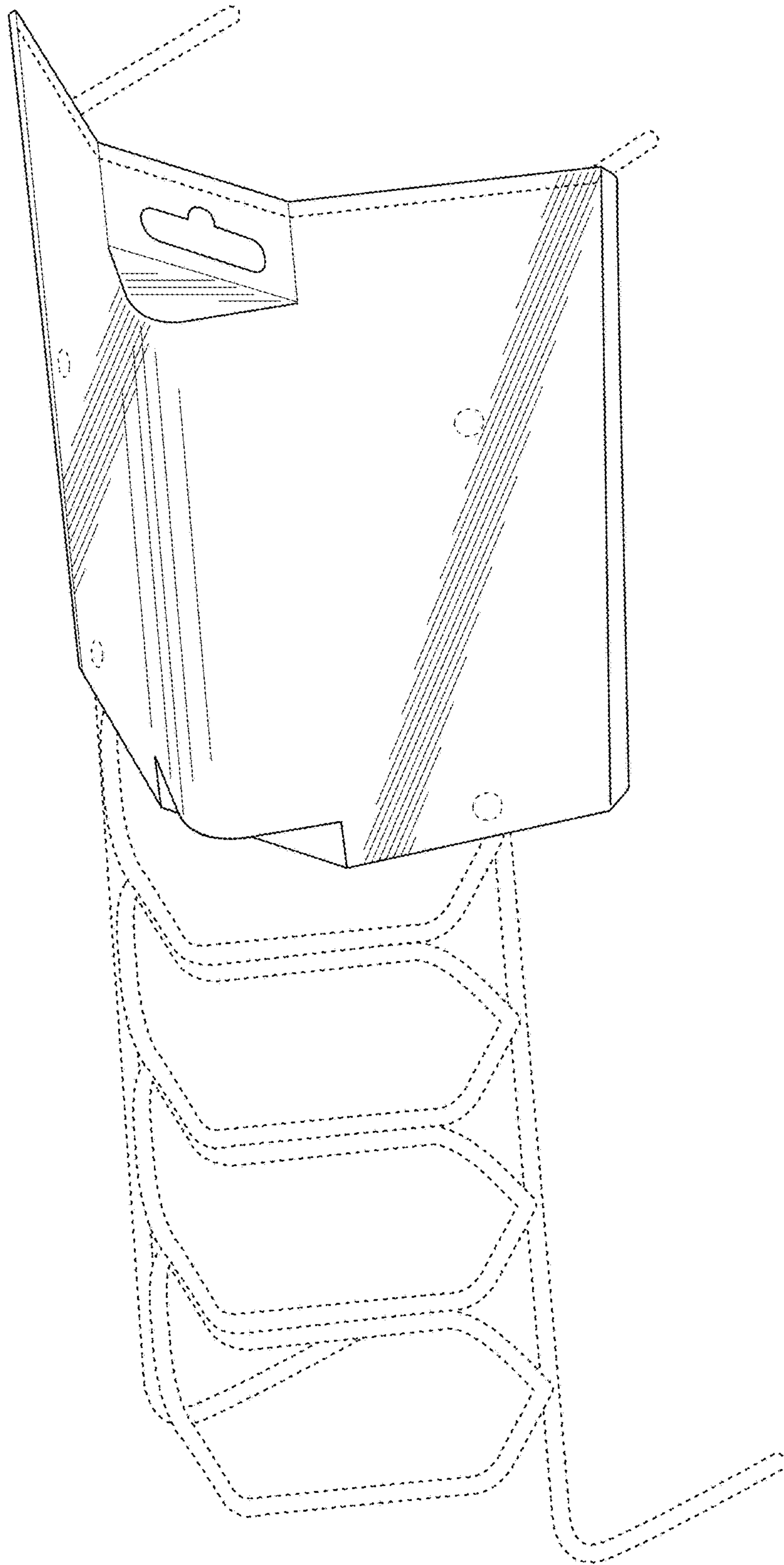


FIG. 9