



US00D806529S

(12) **United States Design Patent**
Olenick

(10) **Patent No.:** **US D806,529 S**
(45) **Date of Patent:** **** Jan. 2, 2018**

- (54) **CLIP-ON BONDING WASHER** 5,681,191 A * 10/1997 Robicheau H01R 4/184
439/877
- (71) Applicant: **HUBBELL INCORPORATED,** D414,744 S 10/1999 Surinak
Shelton, CT (US) 6,106,310 A 8/2000 Davis
6,276,947 B1 * 8/2001 Homfeldt H01R 4/64
439/444
- (72) Inventor: **Thomas Edmund Olenick,** Manchester, NH (US) D459,302 S * 6/2002 Malin D13/133
(Continued)

(73) Assignee: **Hubbell Incorporated,** Shelton, CT (US)

(**) Term: **15 Years**

(21) Appl. No.: **29/539,273**

(22) Filed: **Sep. 11, 2015**

Related U.S. Application Data

(62) Division of application No. 29/450,142, filed on Mar. 15, 2013, now Pat. No. Des. 740,113.

(51) **LOC (11) Cl.** **08-08**

(52) **U.S. Cl.**
USPC **D8/399**

(58) **Field of Classification Search**
USPC D8/397, 394, 382, 349, 399; 411/427,
411/374

CPC A61B 17/0401; E04D 13/1476; E04G
25/065; F16B 41/002; F16B 23/0061;
F16B 37/14; F16B 35/00

See application file for complete search history.

(56) **References Cited**

U.S. PATENT DOCUMENTS

- 881,757 A * 3/1908 Winsor A45F 5/022
24/10 A
- D220,424 S 4/1971 Hindenburg
- 3,810,069 A 5/1974 Jaconette
- 3,992,897 A 11/1976 Loos
- D280,973 S * 10/1985 Ferrell D8/395
- 4,993,959 A 2/1991 Randolph
- D363,453 S * 10/1995 Herdt D11/78.1

OTHER PUBLICATIONS

Burndy/Wiley Wire Management; ACME Cable Clip page, © 2012 Burndy LLC.

(Continued)

Primary Examiner — Cynthia Underwood

(74) *Attorney, Agent, or Firm* — Dickinson Wright PLLC

(57) **CLAIM**

The ornamental design for a clip-on bonding washer, as shown and described.

DESCRIPTION

FIG. 1 is a perspective view of a clip-on bonding washer according to a first embodiment of the invention, taken from the top, front and right side thereof;

FIG. 2 is a perspective view of the washer of FIG. 1 taken from the top, front and left side thereof;

FIG. 3 is a perspective view of the washer of FIG. 1 taken from the bottom, front and right side thereof;

FIG. 4 is a perspective view of the washer of FIG. 1 taken from the bottom, front and left side thereof;

FIG. 5 is a top plan view of the washer of FIG. 1;

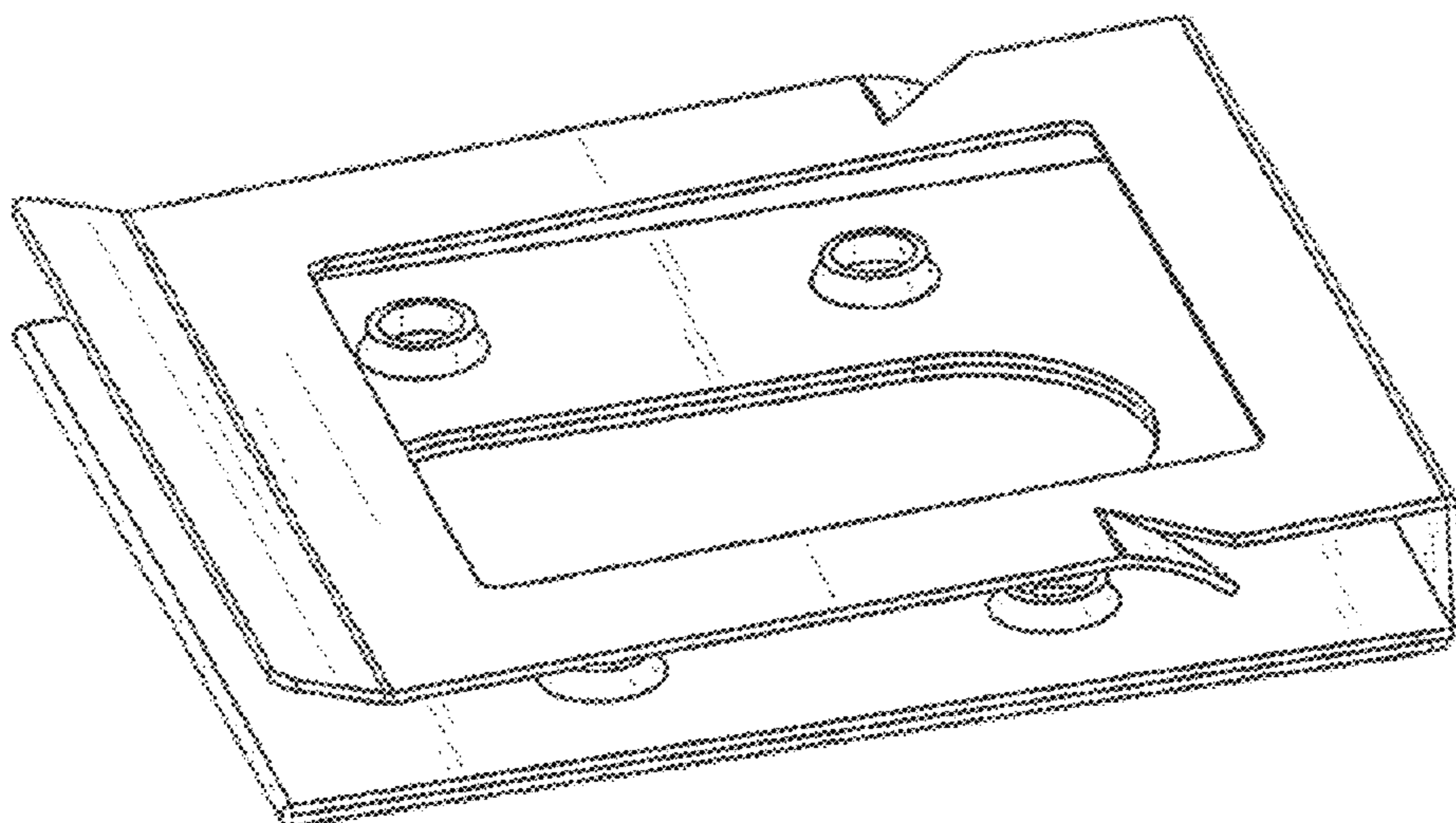
FIG. 6 is a bottom plan view of the washer of FIG. 1;

FIG. 7 is a right side elevational view of the washer of FIG. 1, the opposite side being the mirror image of that shown;

FIG. 8 is a front elevational view of the washer of FIG. 1; and,

FIG. 9 is a rear elevational view of the washer of FIG. 1;

1 Claim, 5 Drawing Sheets



(56)

References Cited

U.S. PATENT DOCUMENTS

6,457,218 B1 * 10/2002 Lawrence B42F 1/10
 24/3.12
 7,128,583 B2 * 10/2006 Tsuo H01R 13/65802
 439/92
 D552,462 S * 10/2007 Boyd D8/395
 D570,247 S * 6/2008 Hajianpour D11/201
 D577,977 S 10/2008 Hernandez
 D597,827 S * 8/2009 Brassard D8/395
 D615,497 S 5/2010 Woodward
 D629,364 S 12/2010 Smith
 D651,569 S 1/2012 Kiely
 8,092,129 B2 1/2012 Wiley
 D657,316 S 4/2012 Kiely
 D668,214 S 10/2012 O'Brien
 D674,274 S * 1/2013 Gasparino D8/395
 D696,570 S * 12/2013 Mirer D8/349
 D707,545 S * 6/2014 Schopf D8/394
 D715,630 S * 10/2014 Szymanski D8/395

D715,631 S * 10/2014 Szymanski D8/395
 D715,686 S * 10/2014 Crafton D11/202
 D716,137 S * 10/2014 Szymanski D8/395
 D716,138 S * 10/2014 Szymanski D8/395
 D756,208 S * 5/2016 Downs D8/395
 D756,211 S * 5/2016 Downs D8/395
 2002/0166497 A1 * 11/2002 Rae B42D 9/005
 116/237
 2008/0053517 A1 * 3/2008 Plaisted F24J 2/5207
 136/251

OTHER PUBLICATIONS

Burndy/Wiley WEEB Installation Instructions; WEEB-9.5 and WEEB-9.5 NL, © 2012 Burndy LLC.
 Brazilian Office Action dated Jul. 11, 2017 which issued in the corresponding Brazilian Design Patent Application No. BR32202015000699-7.

* cited by examiner

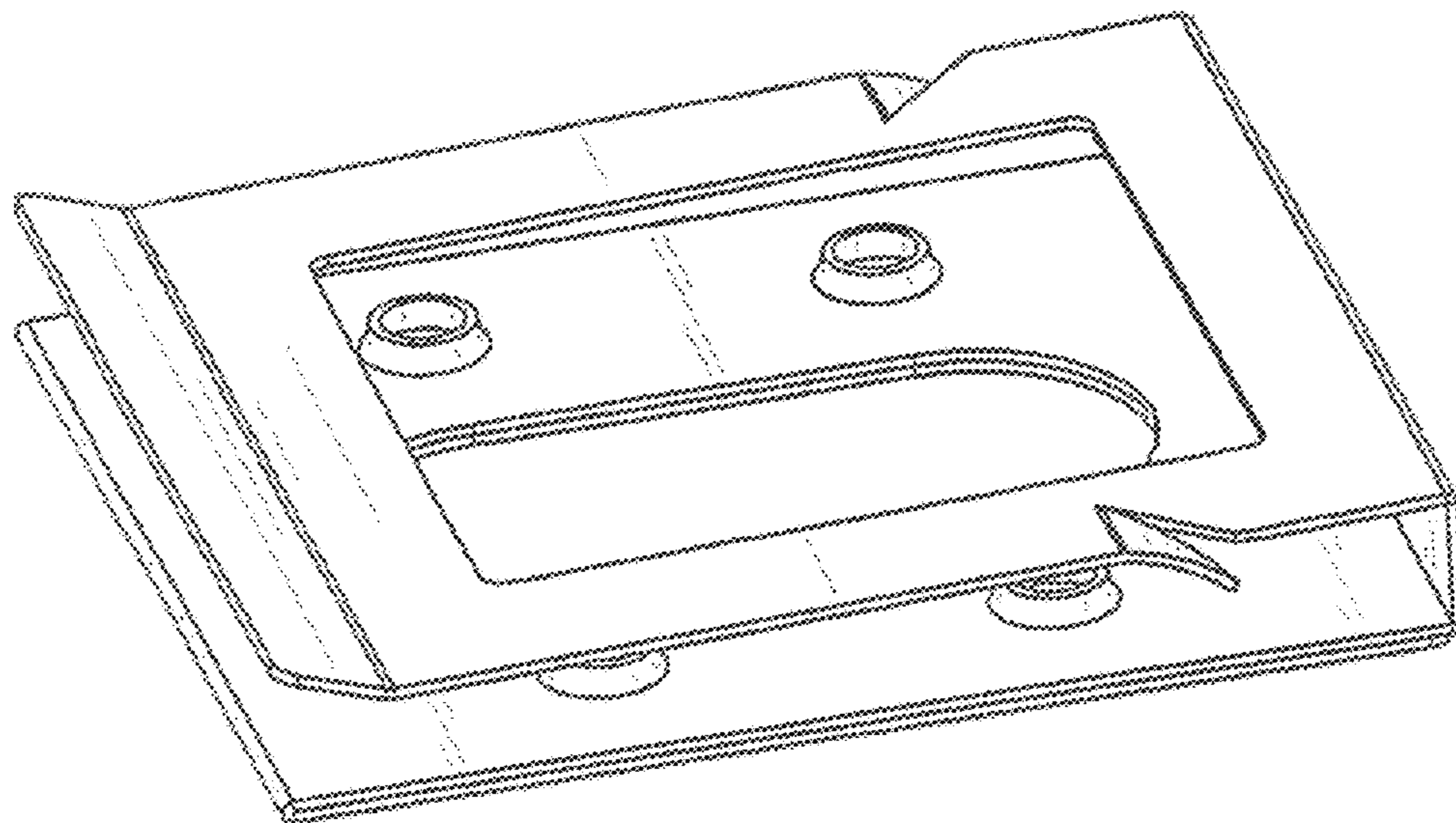


FIG. 1

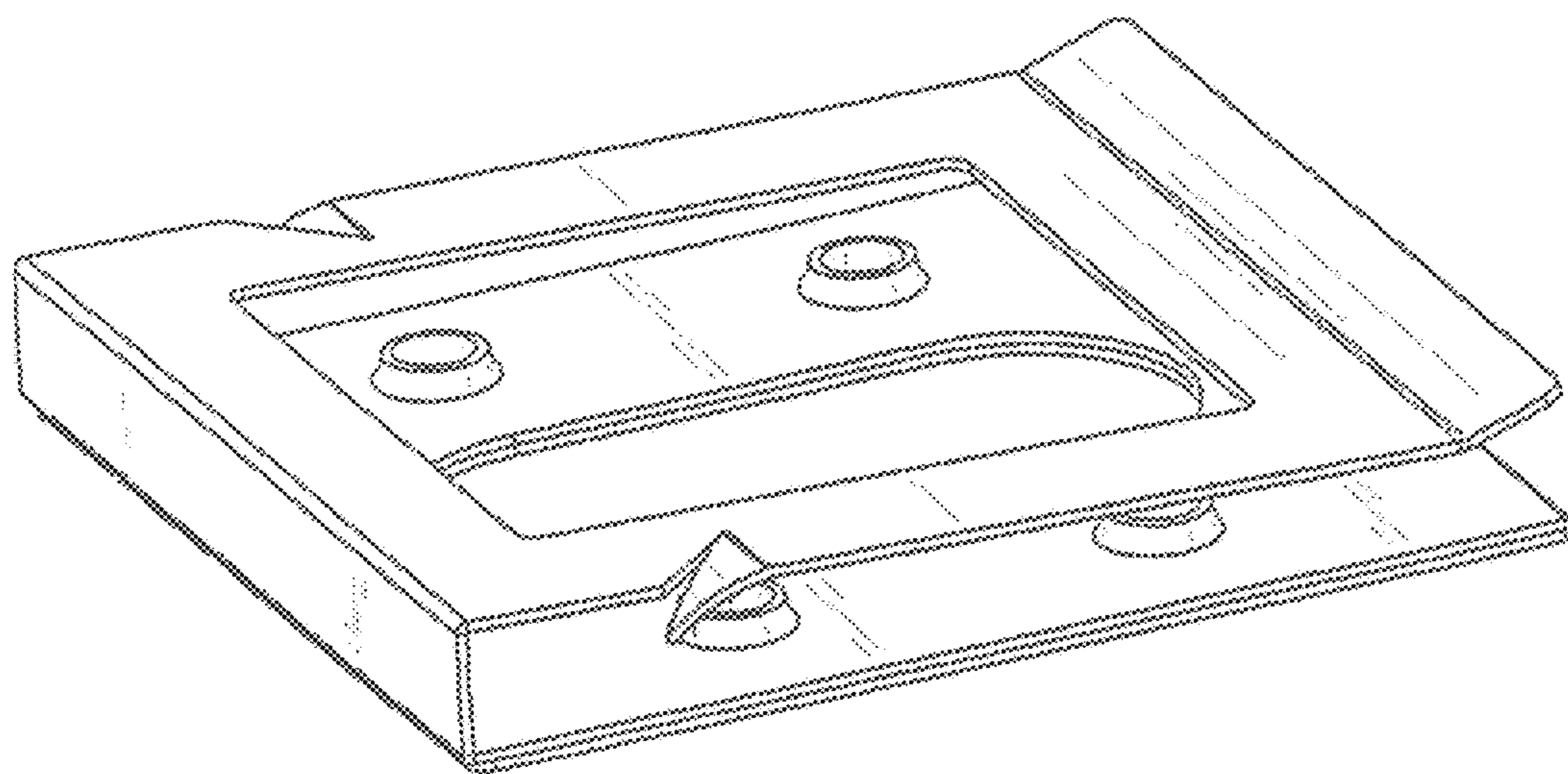


FIG. 2

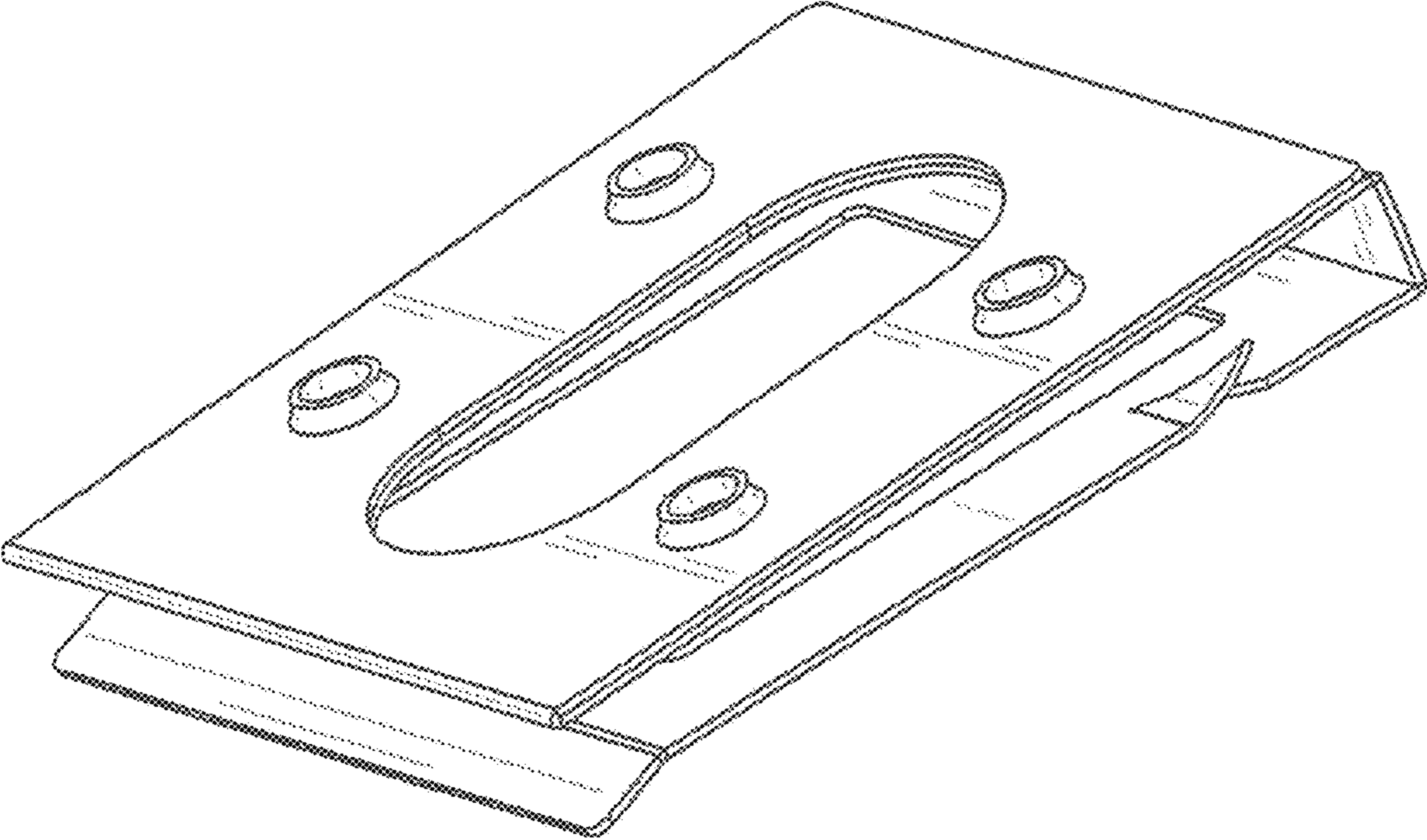


FIG. 3

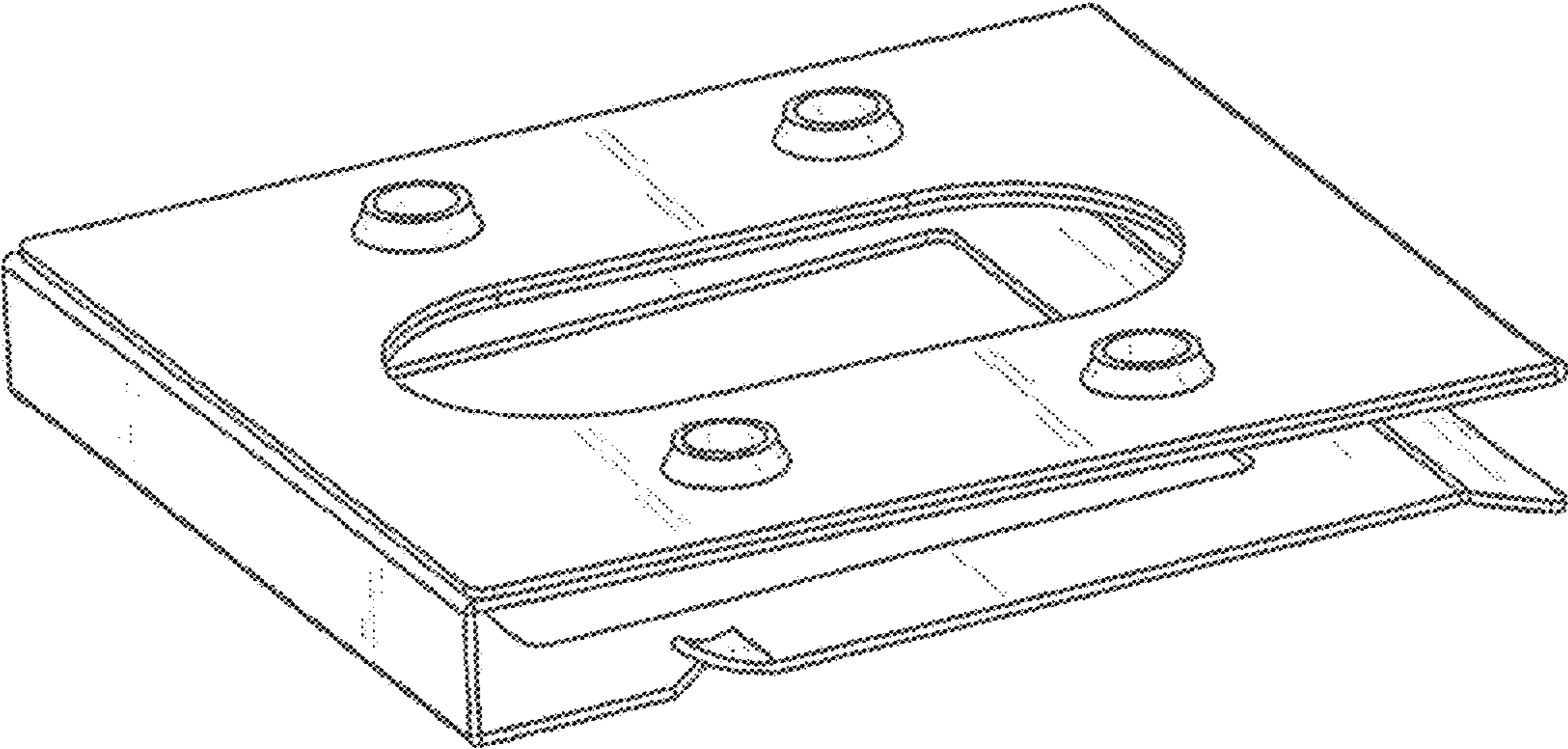


FIG. 4

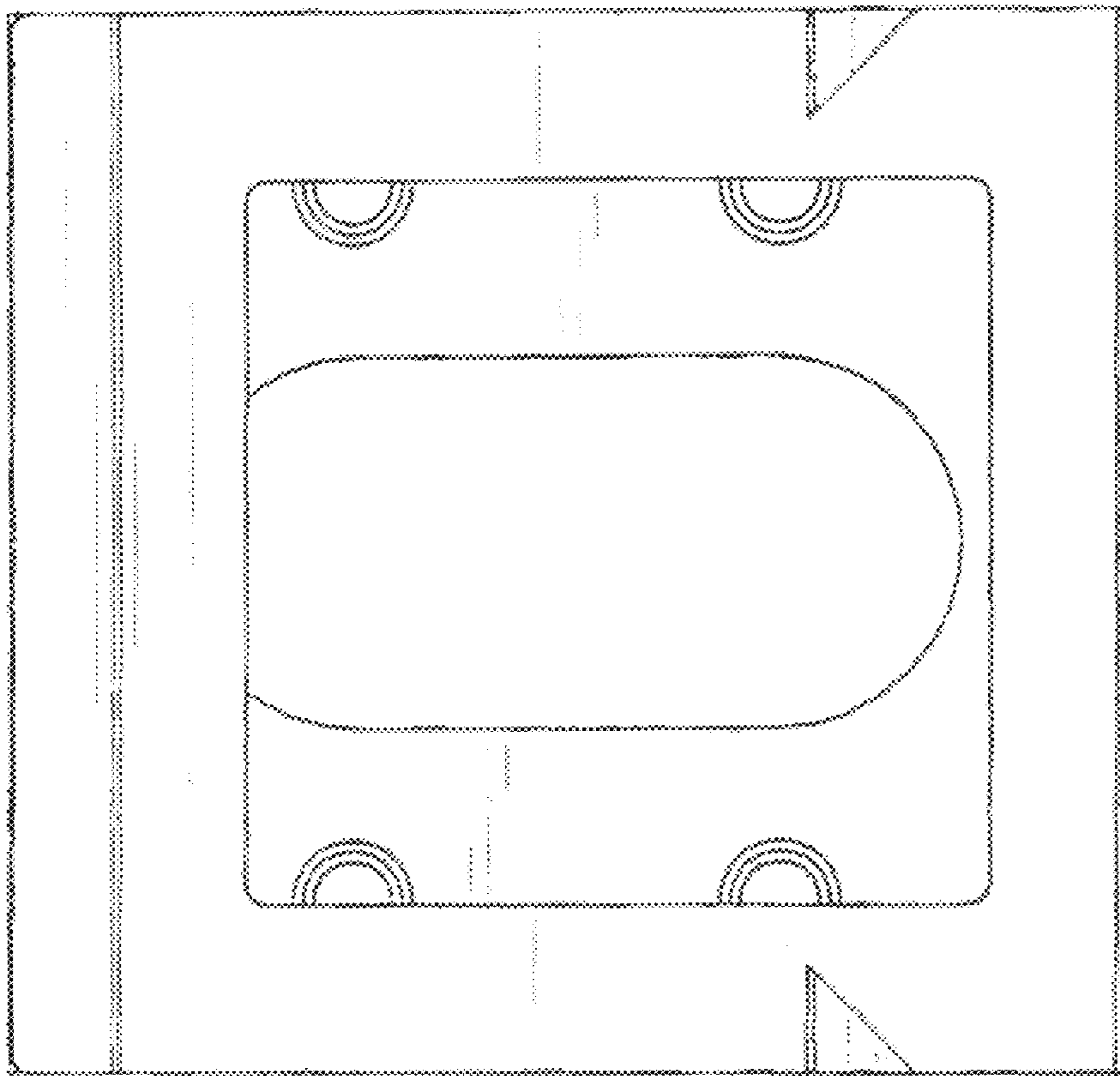


FIG. 5

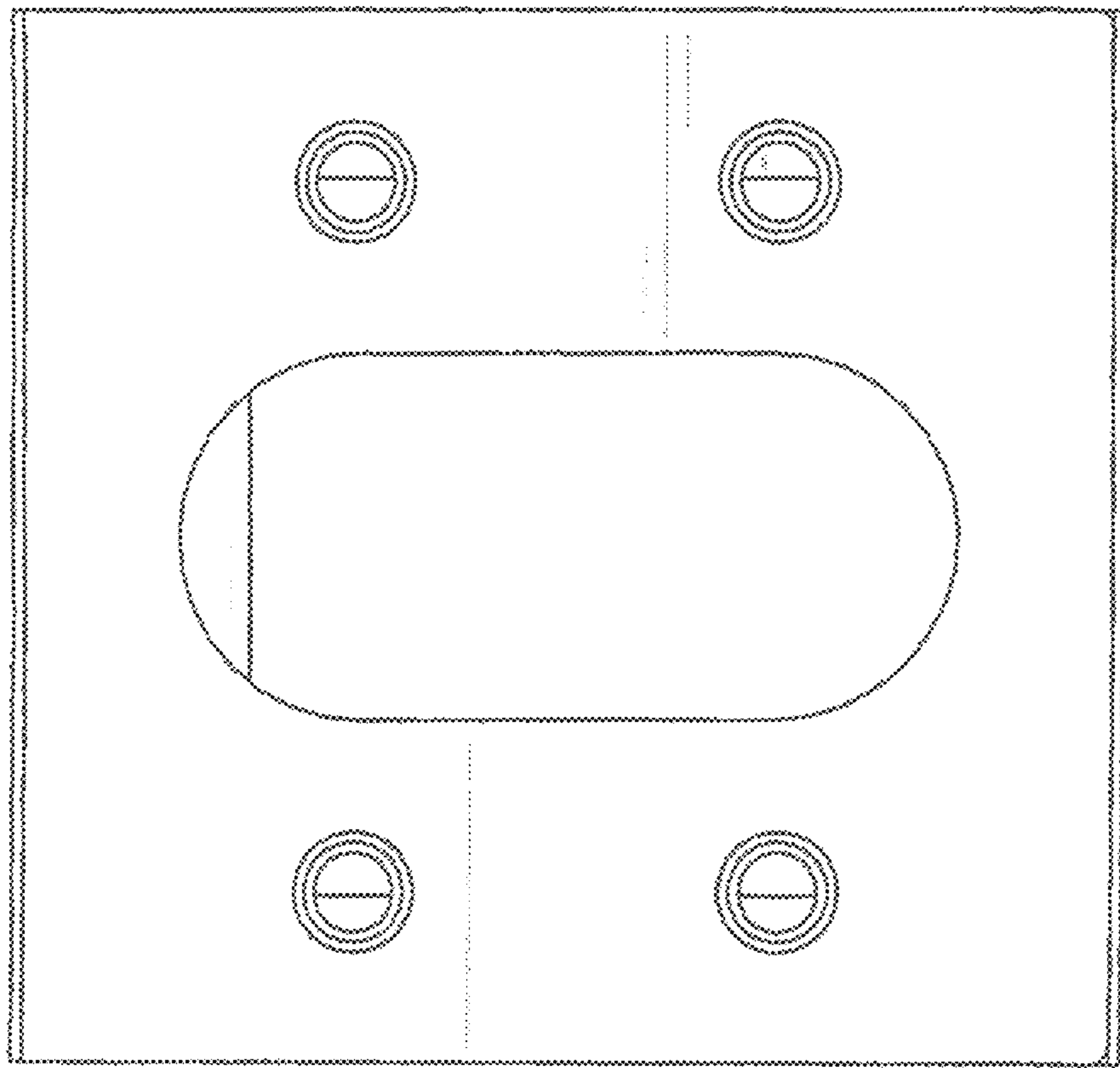


FIG. 6

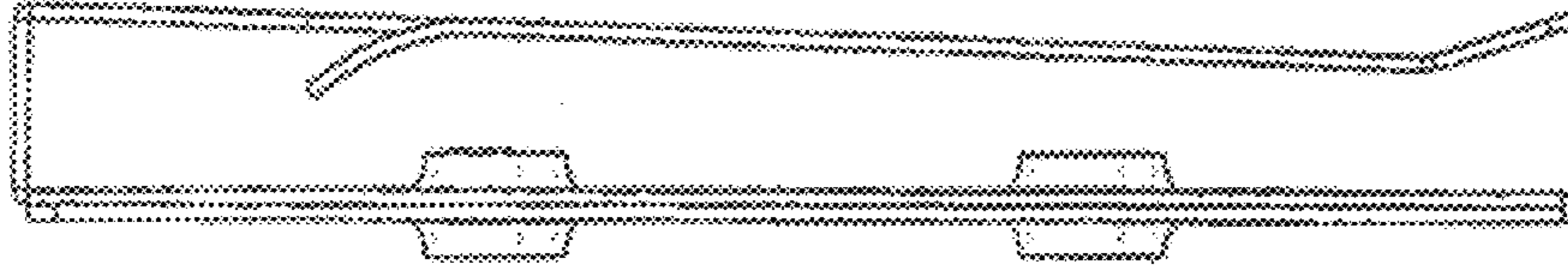


FIG. 7

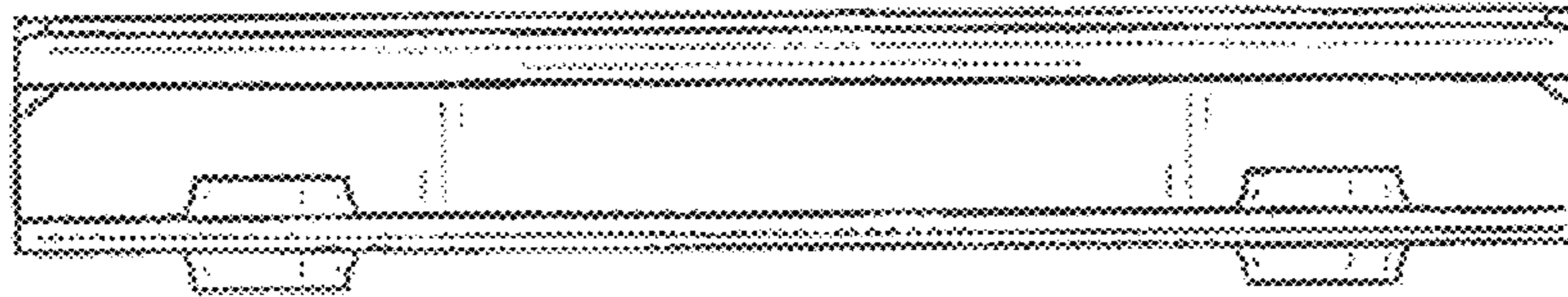


FIG. 8

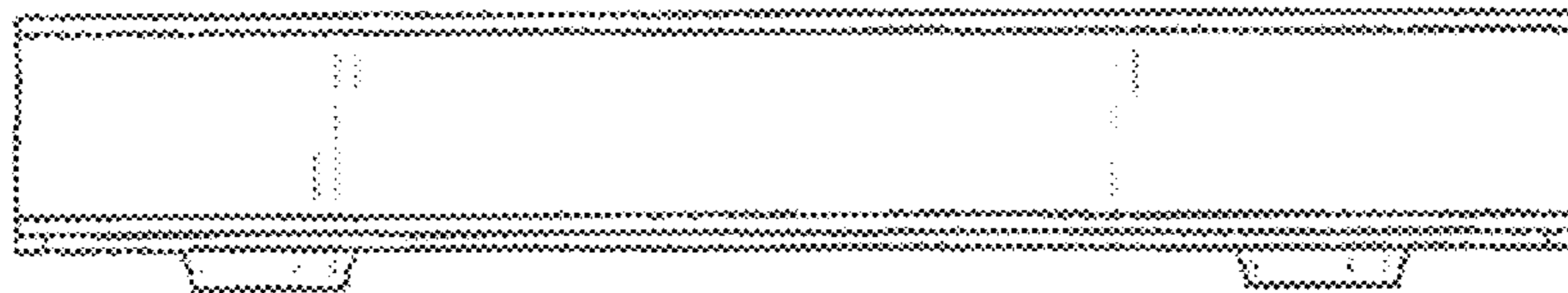


FIG. 9