



US00D806528S

(12) **United States Design Patent**
Bada

(10) **Patent No.:** **US D806,528 S**
(45) **Date of Patent:** **** Jan. 2, 2018**

- (54) **SCREW AND NUT**
- (71) Applicant: **BIMECC ENGINEERING S.p.A.**,
Veggiano (Padua) (IT)
- (72) Inventor: **Ferdinando Bada**, Mestrino (IT)
- (73) Assignee: **BIMECC ENGINEERING S.P.A.**,
Veggiano (Padua) (IT)
- (**) Term: **15 Years**
- (21) Appl. No.: **29/579,399**
- (22) Filed: **Sep. 29, 2016**

6,354,175	B1	3/2002	Dobson et al.	
D484,785	S *	1/2004	Plumer	D8/397
D488,715	S *	4/2004	Plumer	D8/397
D513,380	S *	1/2006	Bruni	D8/397
D627,039	S *	11/2010	Yu	D23/260
D648,006	S *	11/2011	Morishita	D23/259
D649,031	S *	11/2011	Rand	D8/397
D669,968	S *	10/2012	Morishita	D23/259
D713,715	S *	9/2014	Kury	D8/397
D721,423	S *	1/2015	Jacques	D23/260
D738,714	S *	9/2015	Kuhmichel	D8/397
D748,227	S *	1/2016	von Lepel	D23/260
D749,197	S *	2/2016	von Lepel	D23/260
D749,198	S *	2/2016	von Lepel	D23/260
D749,199	S *	2/2016	von Lepel	D23/260

(Continued)

(30) **Foreign Application Priority Data**

Jun. 16, 2016 (IT) 102016000062233

(51) **LOC (11) Cl.** **08-08**

(52) **U.S. Cl.**
USPC **D8/397**

(58) **Field of Classification Search**
USPC D8/397, 394, 382, 349; 411/427
CPC A61B 17/0401; E04D 13/1476; E04G
25/065; F16B 41/002; F16B 23/0061
See application file for complete search history.

(56) **References Cited**

U.S. PATENT DOCUMENTS

2,440,944	A *	5/1948	Green	F16B 39/286
				411/282
D157,484	S *	2/1950	Gade	411/437
3,140,636	A	7/1964	Grimm	
3,543,826	A *	12/1970	Forgaard	F16B 39/284
				411/284
D223,231	S *	4/1972	Miller	D8/385
3,693,495	A *	9/1972	Wagner	F16B 23/003
				411/377
5,324,149	A *	6/1994	Bainbridge	F16B 37/14
				411/377
5,810,532	A *	9/1998	Huang	F16B 37/14
				411/377

FOREIGN PATENT DOCUMENTS

EP	0 287 702	A1	10/1988
WO	99/62727	A2	12/1999
WO	02/090056		11/2002

OTHER PUBLICATIONS

Italian Search Report issued in Application No. UA20164439, dated Feb. 8, 2017.

Primary Examiner — Cynthia Underwood
(74) *Attorney, Agent, or Firm* — Young & Thompson

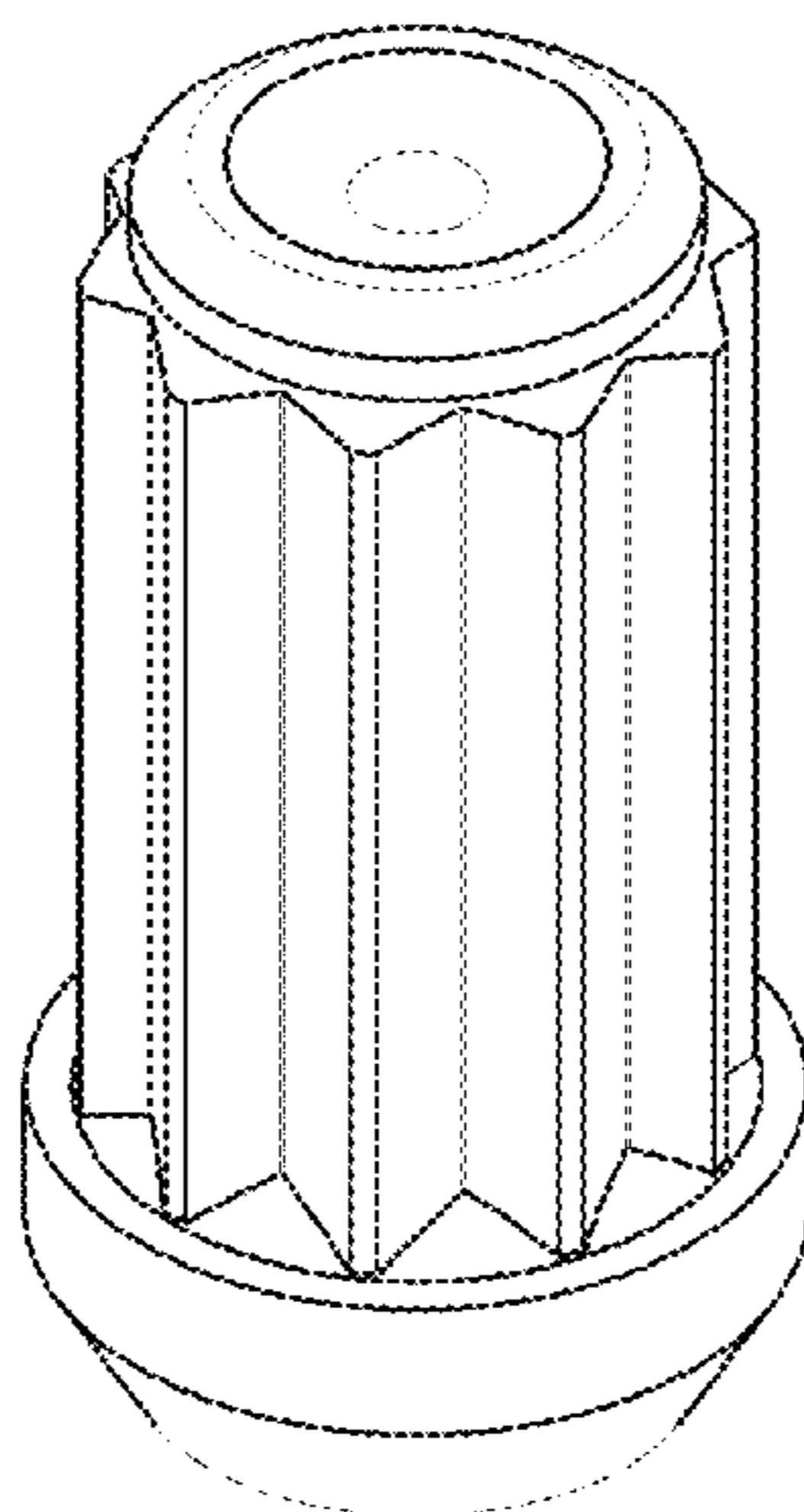
(57) **CLAIM**

The ornamental design for a screw and nut, as shown and described.

DESCRIPTION

FIG. 1 discloses a bottom perspective view of a nut showing the nut portion my new design;
FIG. 2 discloses an elevational view thereof;
FIG. 3 discloses a bottom plan view thereof; and,
FIG. 4 discloses a top plan view thereof.

1 Claim, 1 Drawing Sheet



(56)

References Cited

U.S. PATENT DOCUMENTS

9,297,407	B2 *	3/2016	Pudvah	F16B 41/002
D766,069	S *	9/2016	Miller	D8/349
D766,075	S *	9/2016	Milbank	D8/394
9,593,707	B2 *	3/2017	Weis	F16B 37/14
9,624,962	B2 *	4/2017	Unsold	F16B 37/00
2003/0068212	A1 *	4/2003	Wilson	F16B 37/14
				411/429
2011/0123293	A1 *	5/2011	Matlock	F16B 37/14
				411/429
2015/0184687	A1 *	7/2015	Weis	F16B 37/14
				411/373

* cited by examiner

Fig. 1

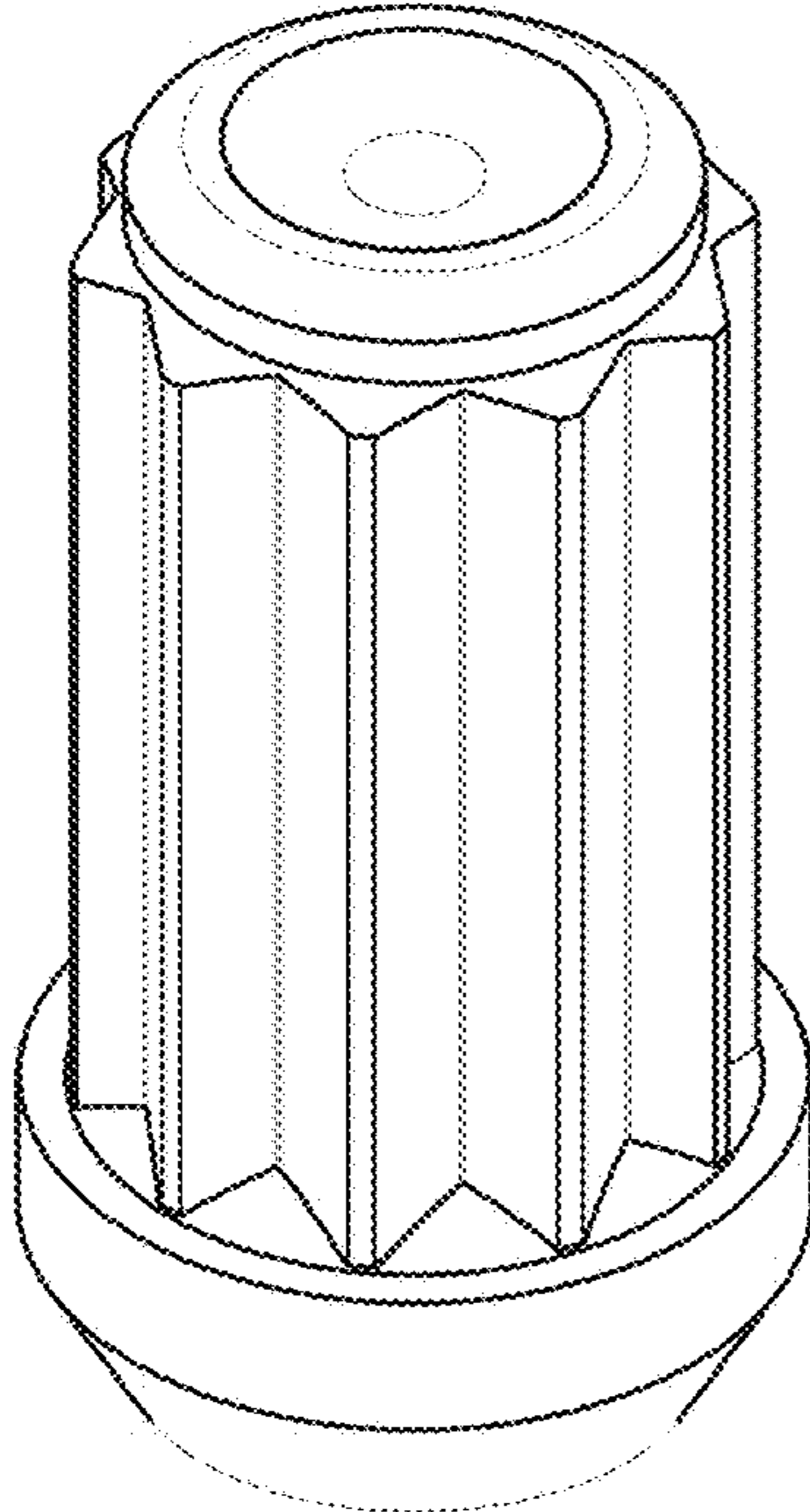


Fig. 4

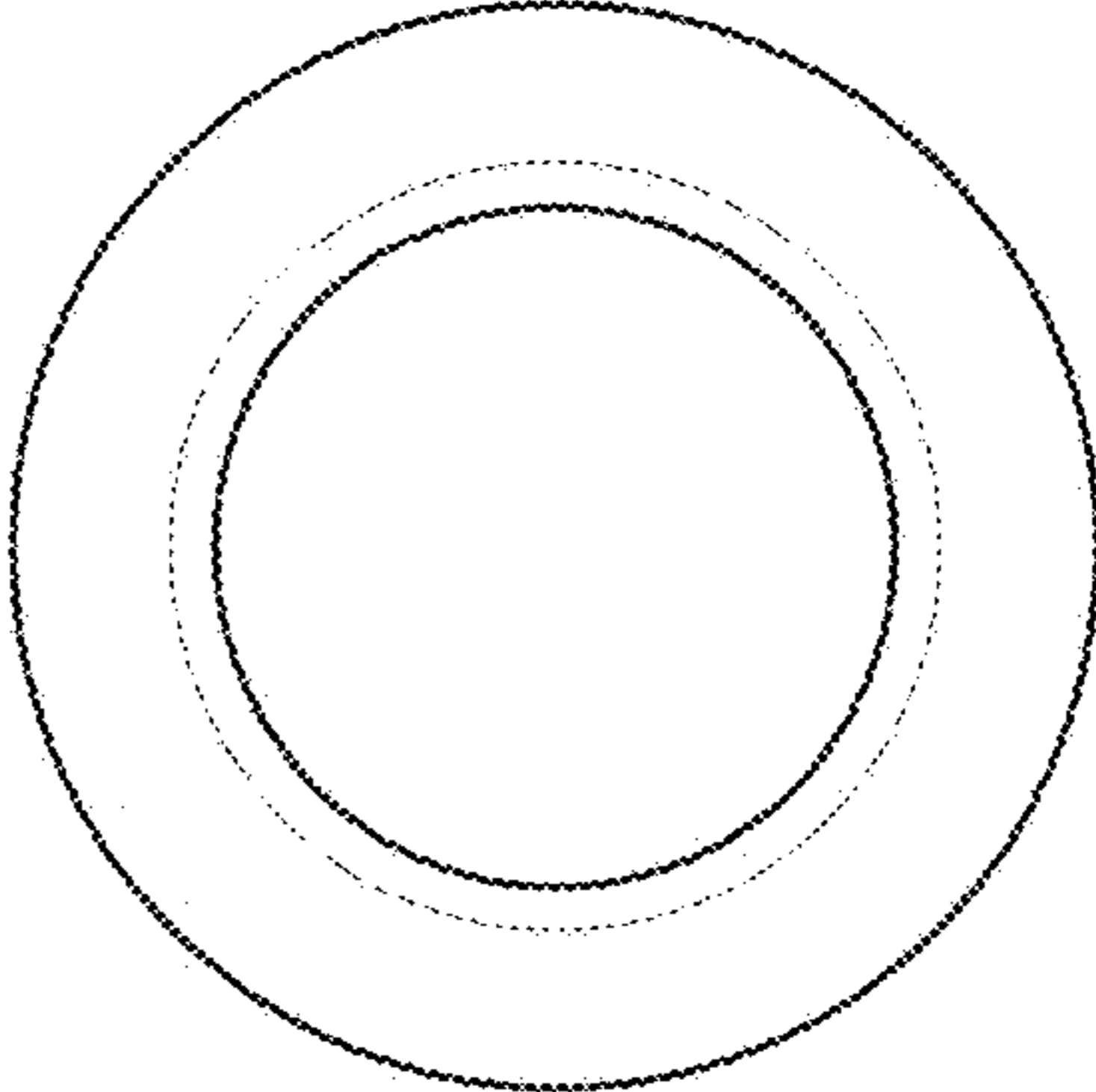


Fig. 2

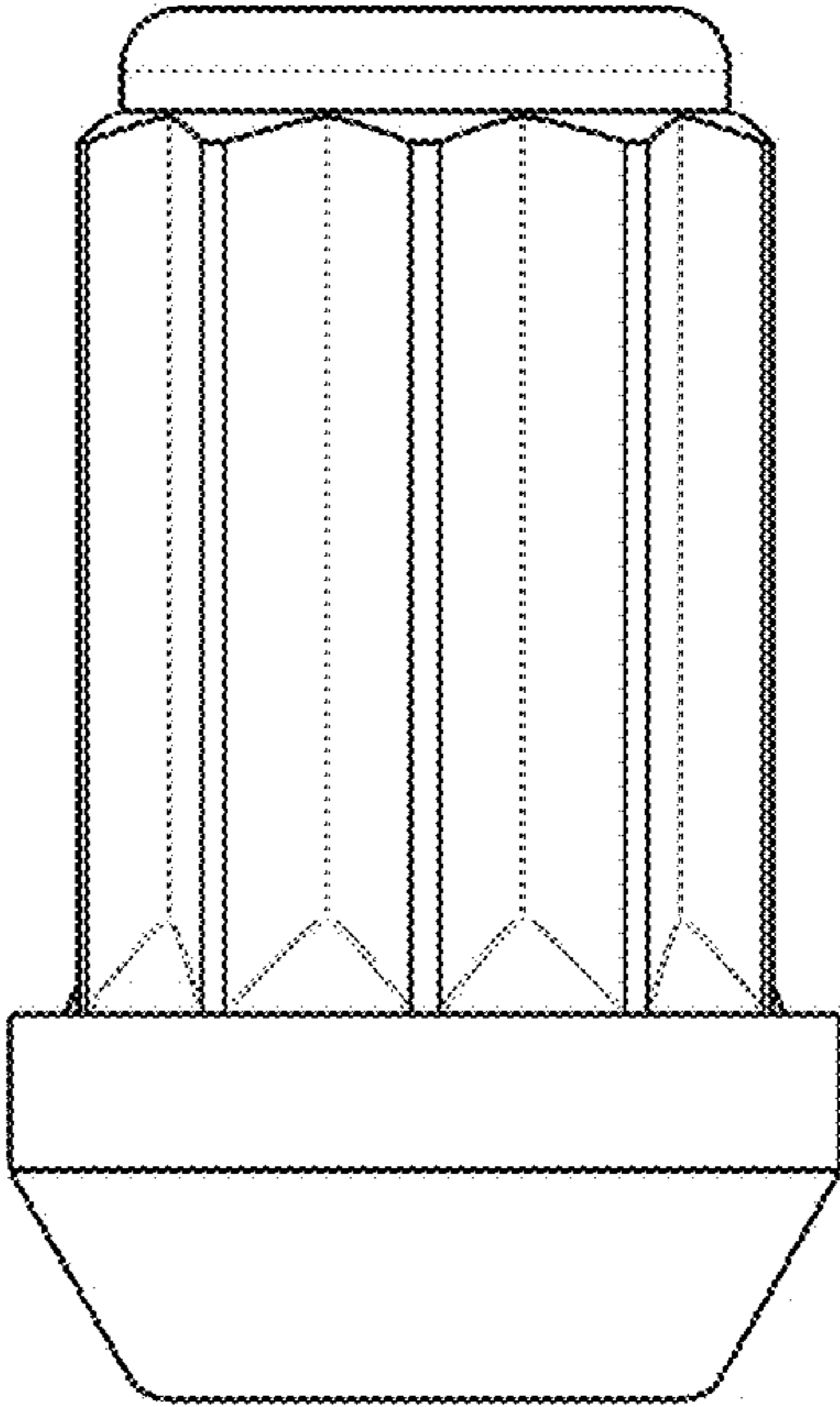


Fig. 3

