



US00D806527S

(12) **United States Design Patent**
Baker, Jr.

(10) **Patent No.:** **US D806,527 S**

(45) **Date of Patent:** **** Jan. 2, 2018**

(54) **UMBRELLA CLIP**

(71) Applicant: **Clifford M. Baker, Jr.**, Toms River, NJ
(US)

(72) Inventor: **Clifford M. Baker, Jr.**, Toms River, NJ
(US)

(73) Assignee: **Clifford M. Baker, Jr.**, Toms River, NJ
(US)

(**) Term: **15 Years**

(21) Appl. No.: **29/549,271**

(22) Filed: **Dec. 21, 2015**

(51) **LOC (11) Cl.** **08-08**

(52) **U.S. Cl.**
USPC **D8/396**

(58) **Field of Classification Search**

USPC D8/371, 394-396, 499, 53, 100, 365;
D12/51; D19/65, 90; D28/39, 40, 42;
24/546, 563, 327, 334; 248/74.2, 300,
248/301, 316.7, 229.26; D14/253

CPC A45B 19/08; A45B 25/00; A45B 9/02;
A45F 3/10; A45F 3/44; A45F 4/02; A45F
4/04; A45F 4/06; A45F 5/00

See application file for complete search history.

(56) **References Cited**

U.S. PATENT DOCUMENTS

D498,497 S * 11/2004 Lo D19/65
D508,841 S * 8/2005 Jordan, Jr. D8/395

D511,964 S * 11/2005 Mariano D8/395
D520,353 S * 5/2006 Mariano D8/395
D550,550 S * 9/2007 Lee D8/395
D553,485 S * 10/2007 Hall D8/396
D660,690 S * 5/2012 Mixides D8/396
D754,530 S * 4/2016 Schroeder D8/396
D766,886 S * 9/2016 Lee D14/253

* cited by examiner

Primary Examiner — Cynthia Ramirez

Assistant Examiner — Michael Maharajh

(74) *Attorney, Agent, or Firm* — Moser Taboada

(57) **CLAIM**

The ornamental design for an umbrella clip, as shown and described.

DESCRIPTION

FIG. 1 is a bottom plan view of the umbrella clip, showing my new design;

FIG. 2 is a top plan view thereof;

FIG. 3 is a left side elevational view thereof;

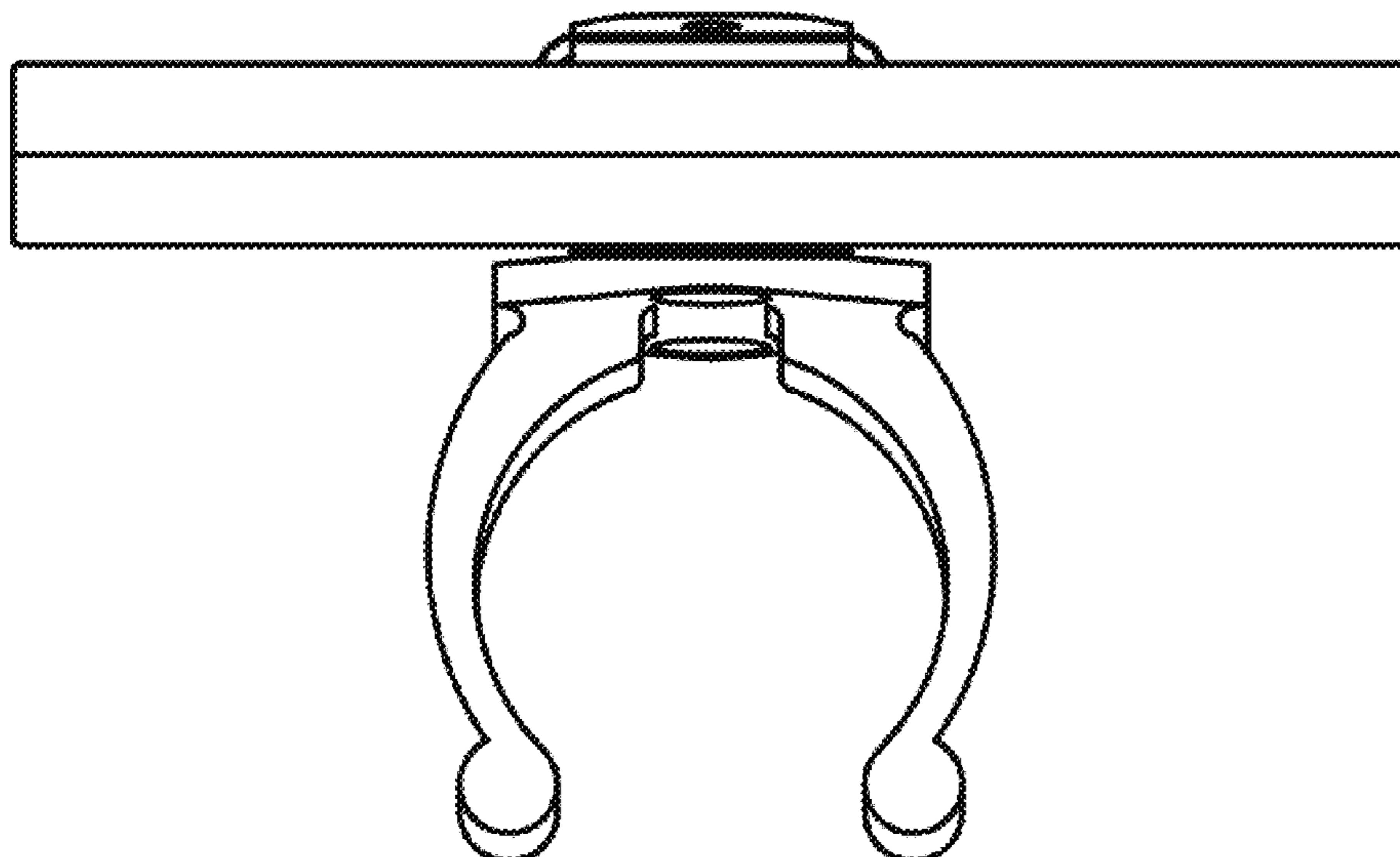
FIG. 4 is a back elevational view thereof;

FIG. 5 is a front elevational view thereof; and,

FIG. 6 is a right side elevational view thereof.

The broken lines shown in the figures are for the purpose of illustrating portions of the umbrella clip and form no part of the claimed design.

1 Claim, 1 Drawing Sheet



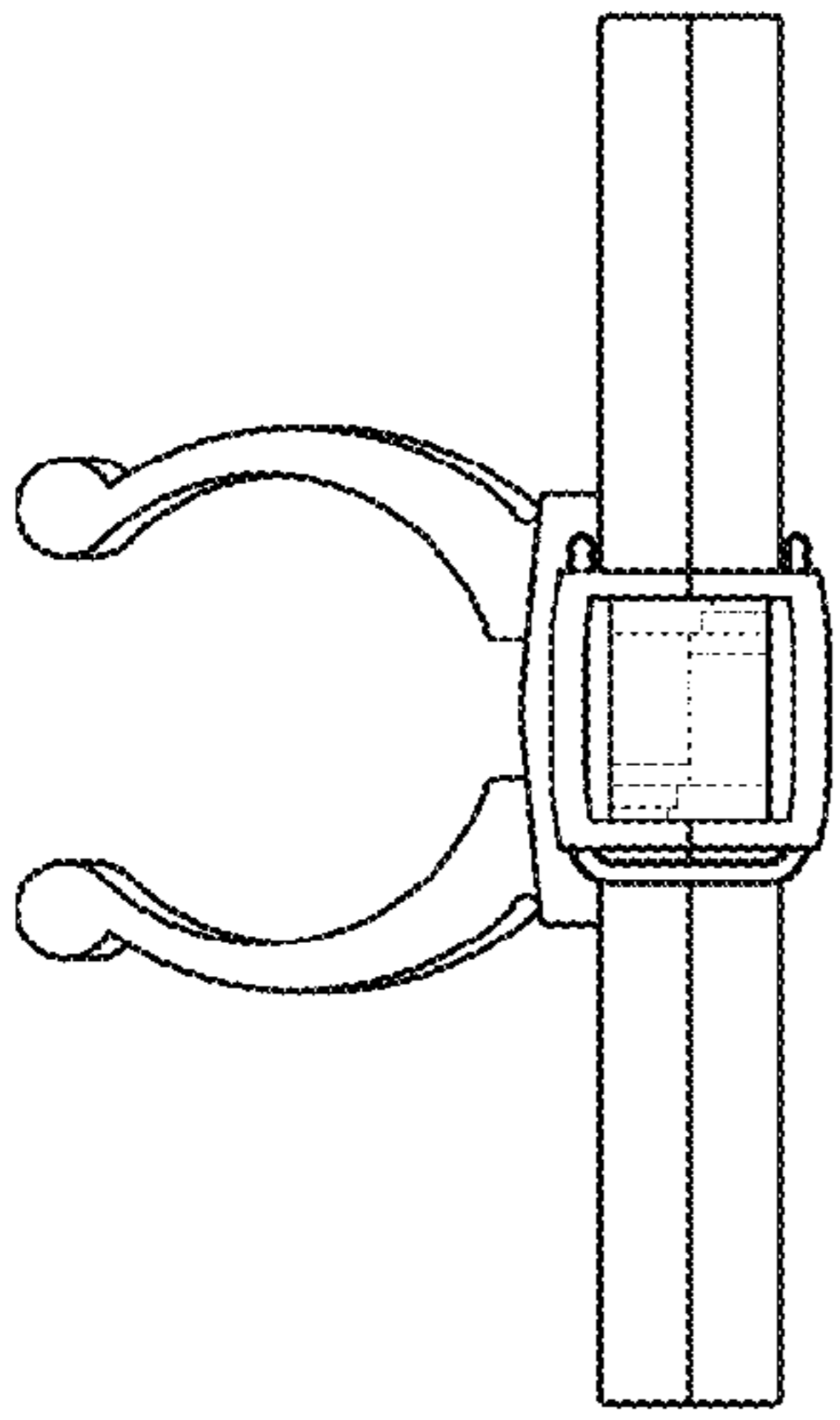


FIG. 1

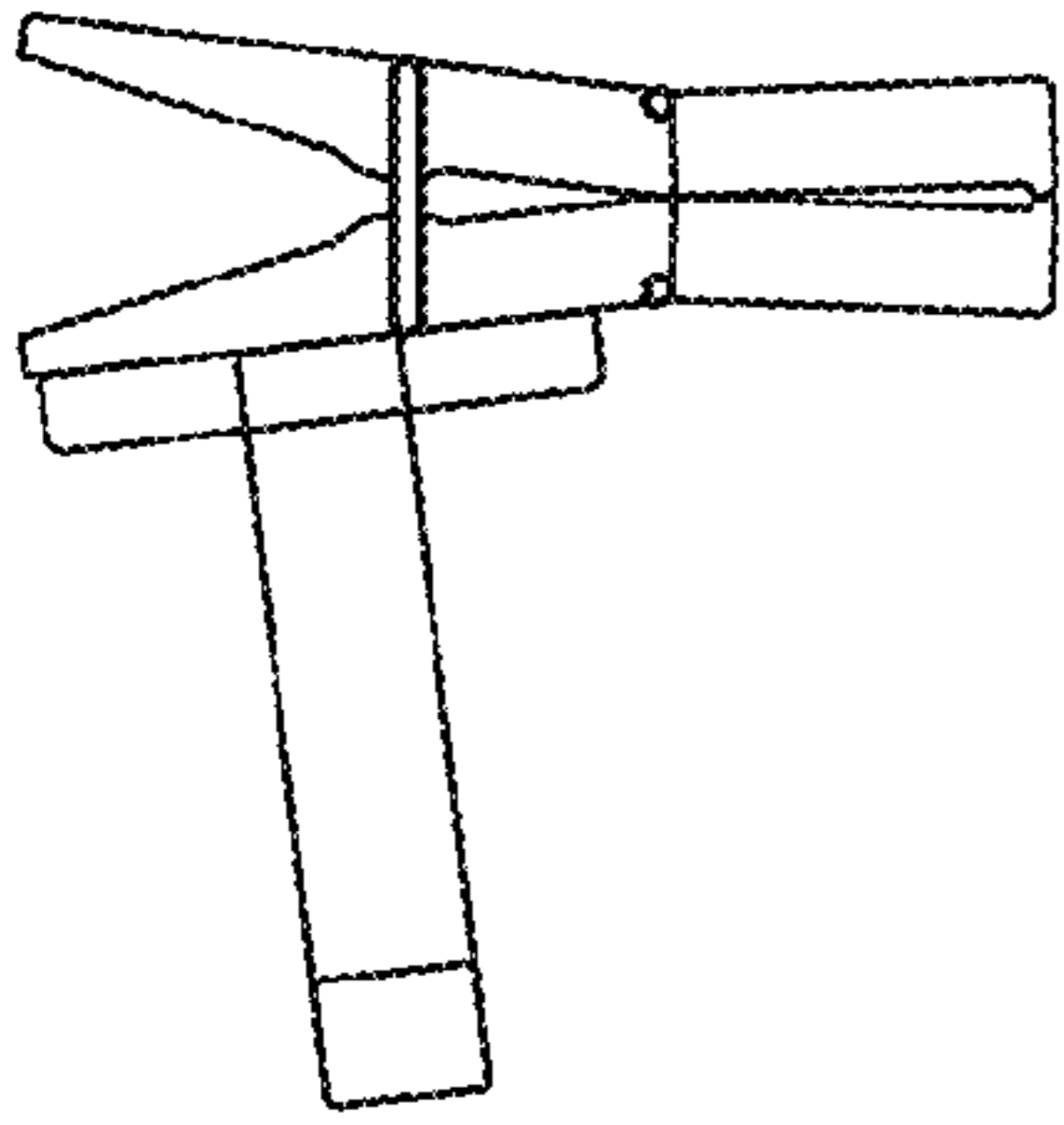


FIG. 2

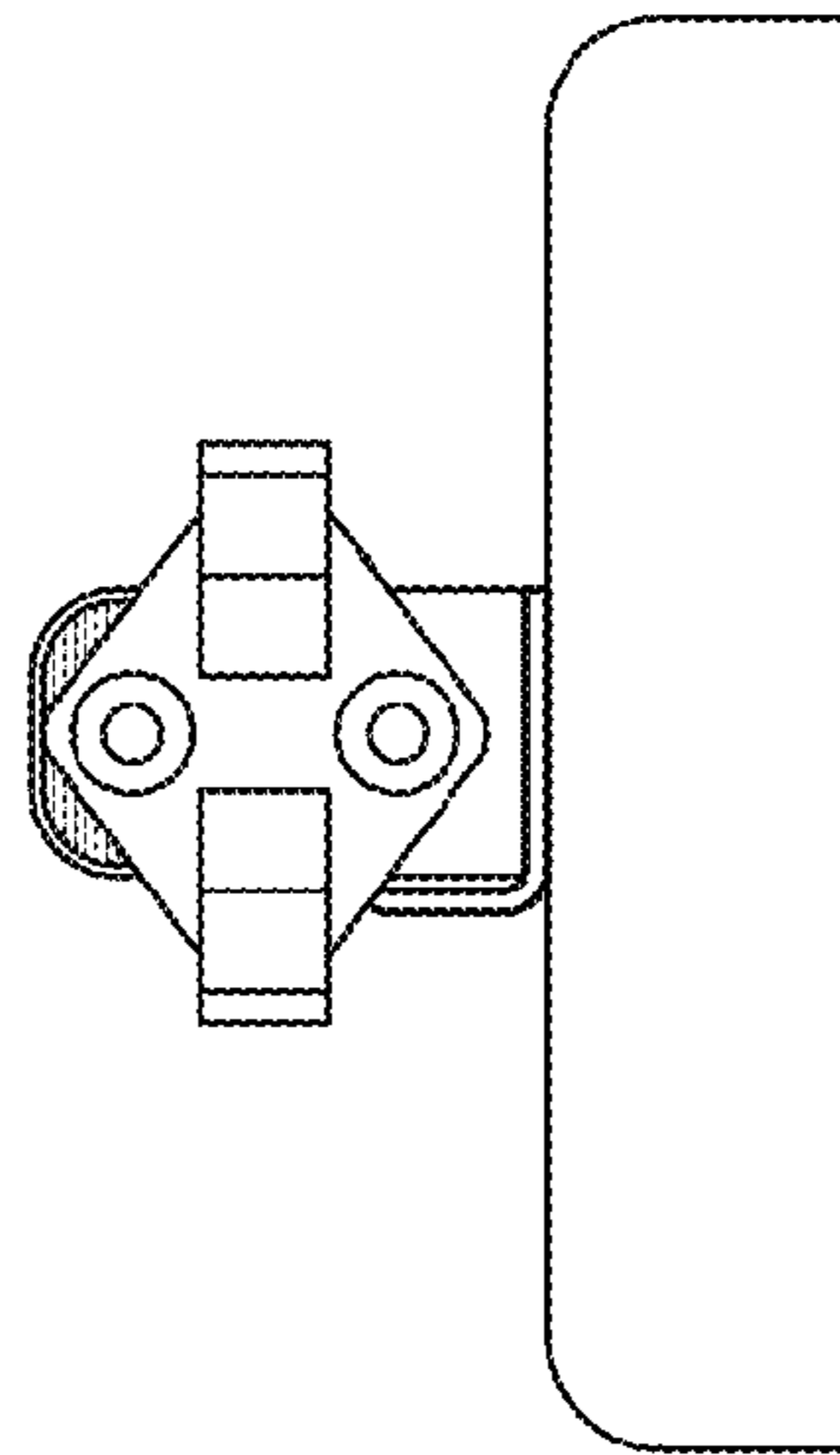


FIG. 3

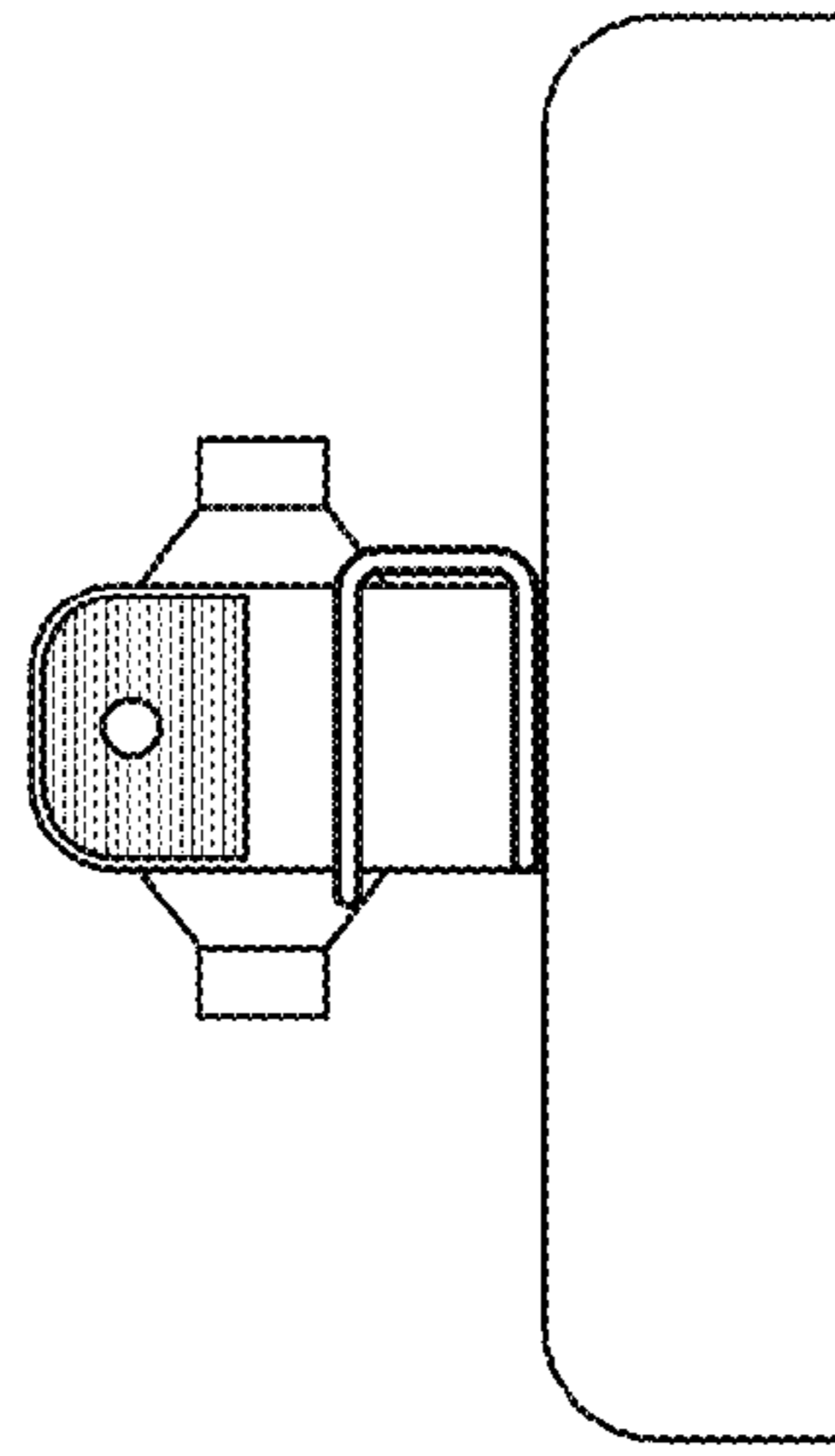


FIG. 4

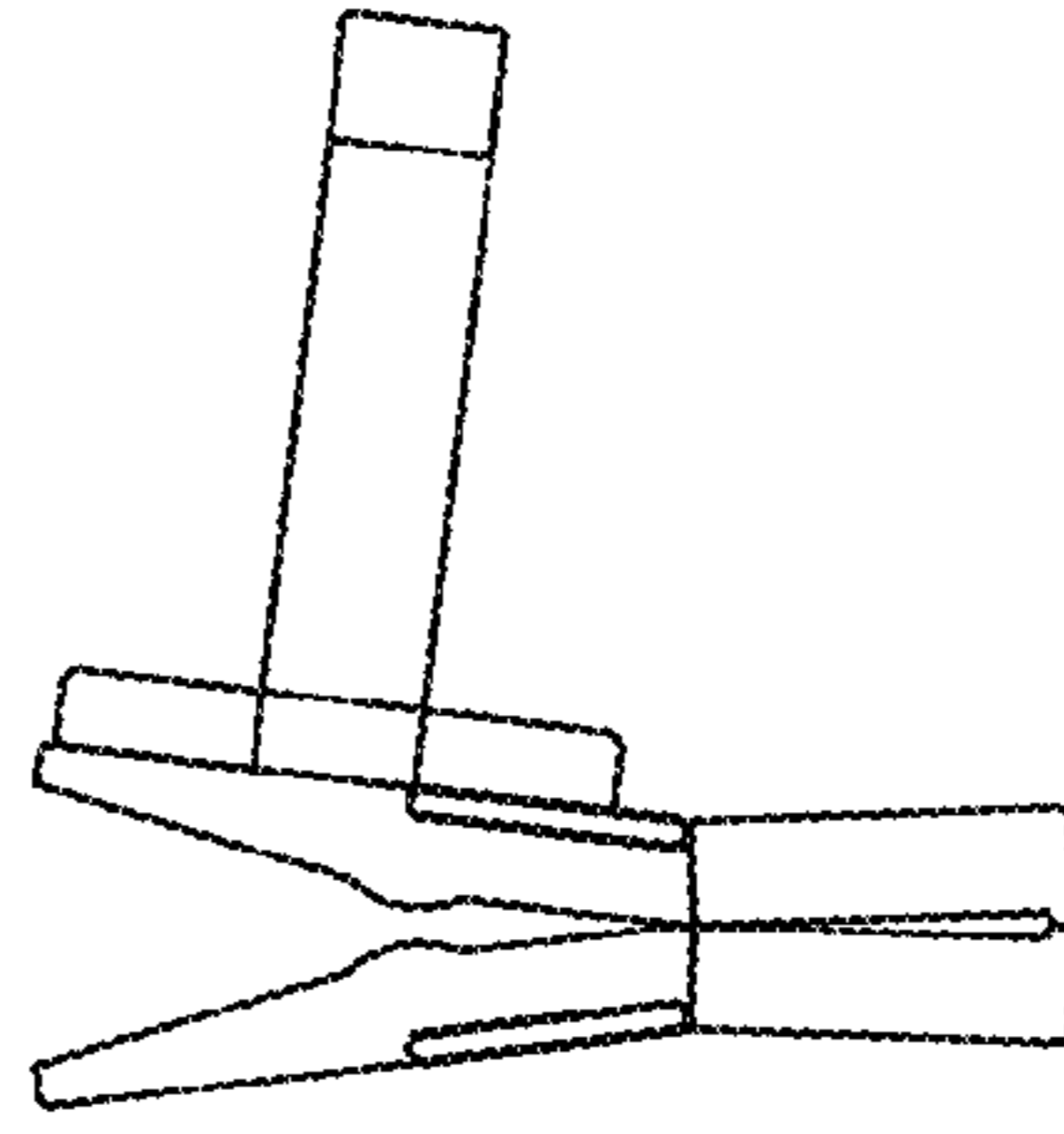


FIG. 5

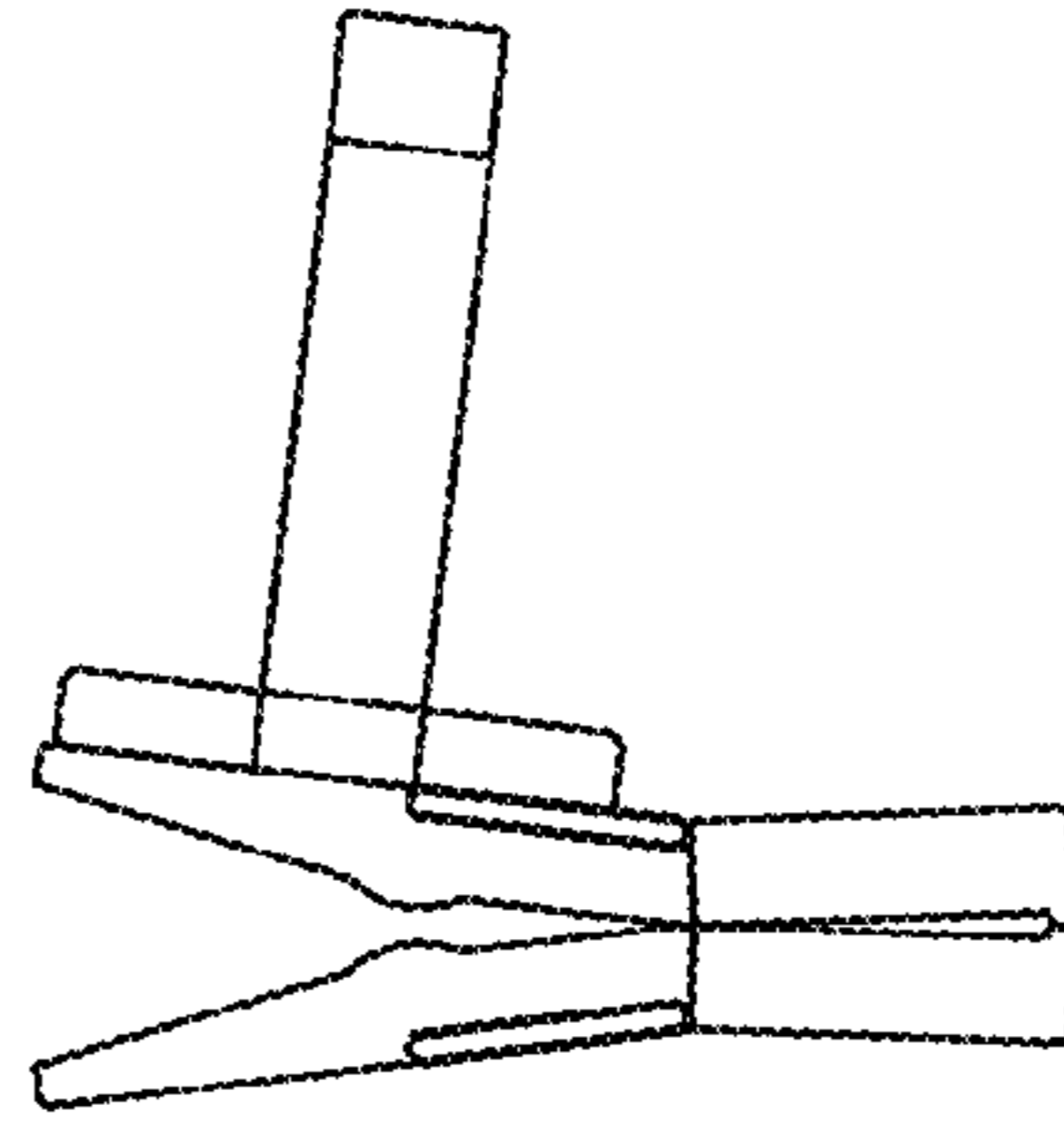


FIG. 6