



US00D806526S

(12) **United States Design Patent** (10) **Patent No.:** **US D806,526 S**
Prewitt, Jr. (45) **Date of Patent:** **** Jan. 2, 2018**

(54) **ADJUSTABLE WALL HANGER**
(71) Applicant: **Prewitt Enterprises, LLC**, Boca Raton, FL (US)
(72) Inventor: **Harold D. Prewitt, Jr.**, Park City, UT (US)
(73) Assignee: **Prewitt Enterprises, LLC**, Boca Raton, FL (US)
(**) Term: **15 Years**
(21) Appl. No.: **29/563,026**
(22) Filed: **May 2, 2016**
(51) **LOC (11) Cl.** **09-06**
(52) **U.S. Cl.**
USPC **D8/373**
(58) **Field of Classification Search**
USPC D8/373, 374, 105, 349, 353, 354, 377, D8/199; D10/50; D14/440, 451, 483, D14/253; D6/315; D19/86
CPC B65D 5/02; A47G 29/02; A47G 29/00; A47B 97/01
See application file for complete search history.

D678,884 S * 3/2013 Phillips D14/440
D688,307 S * 8/2013 Jour D19/86
D703,658 S * 4/2014 Higashi D14/253
D716,752 S * 11/2014 Katori D10/50
D759,012 S * 6/2016 Golden D10/50
D759,024 S * 6/2016 Woo D14/451
D760,173 S * 6/2016 Baker D13/156
D776,947 S * 1/2017 Breeden, III D6/315
2015/0021329 A1* 1/2015 Darmon B65D 7/10 220/345.1

* cited by examiner

Primary Examiner — Derrick Holland
Assistant Examiner — Yolanda Robinson
(74) *Attorney, Agent, or Firm* — McHale & Slavin, P.A.

(57) **CLAIM**

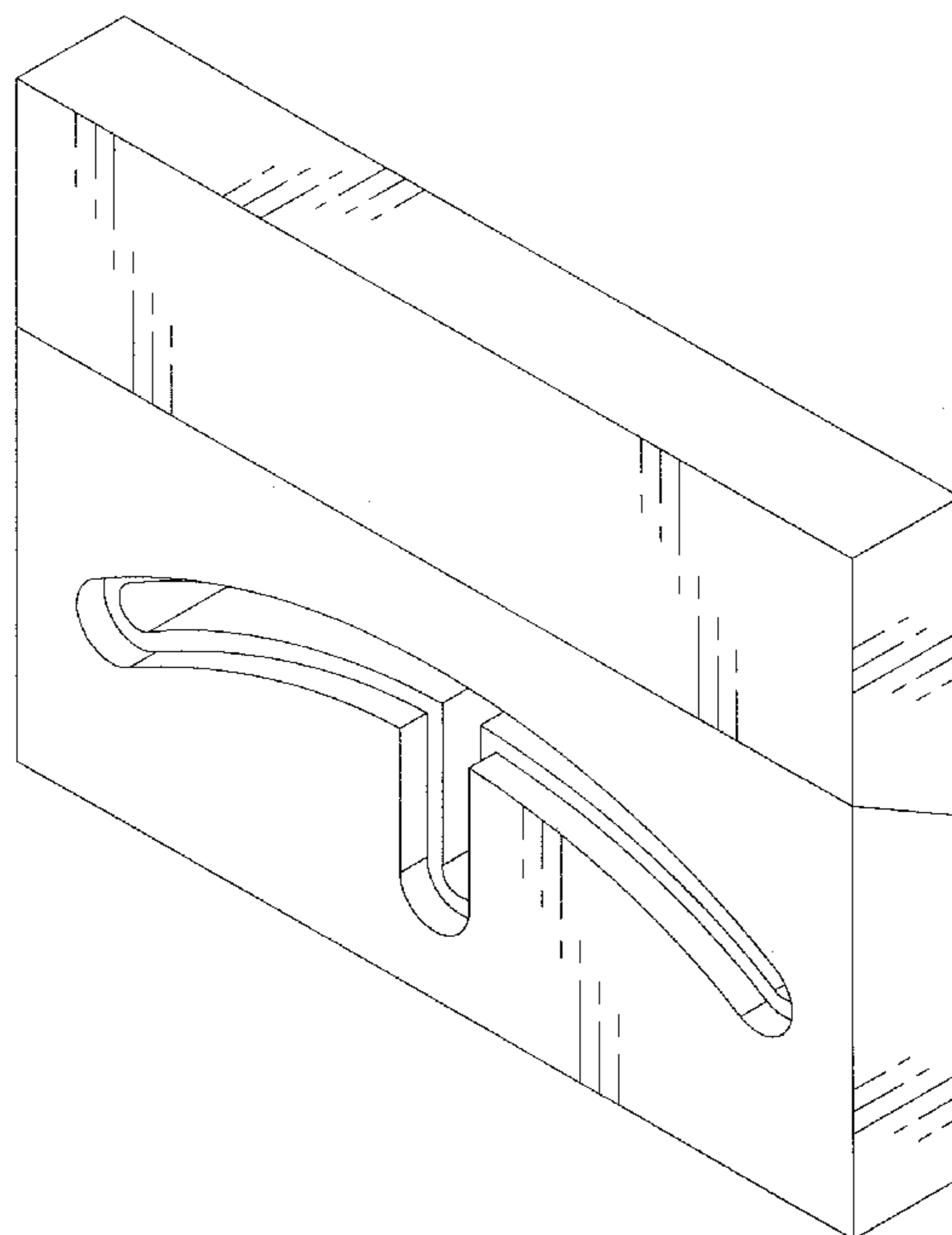
The ornamental design for an adjustable wall hanger, as shown and described.

DESCRIPTION

FIG. 1 is a top right isometric view of an adjustable wall hanger of my present invention;
FIG. 2 is a top left isometric view thereof;
FIG. 3 is a front view thereof;
FIG. 4 is a rear view thereof;
FIG. 5 is a right side view thereof;
FIG. 6 is a left side view thereof;
FIG. 7 is a top view thereof;
FIG. 8 is a bottom view thereof;
FIG. 9 is a rear bottom right isometric view thereof;
FIG. 10 is a front bottom right isometric view thereof; and,
FIG. 11 is an exploded view thereof.

1 Claim, 9 Drawing Sheets

(56) **References Cited**
U.S. PATENT DOCUMENTS
3,380,644 A * 4/1968 Alessio B65D 5/02 206/424
D360,815 S * 8/1995 Padden D8/105
D549,283 S * 8/2007 Bharna D19/27
D627,614 S * 11/2010 Flint D8/18
D670,293 S * 11/2012 Shimizu D14/440
D678,001 S * 3/2013 Cucci D7/672



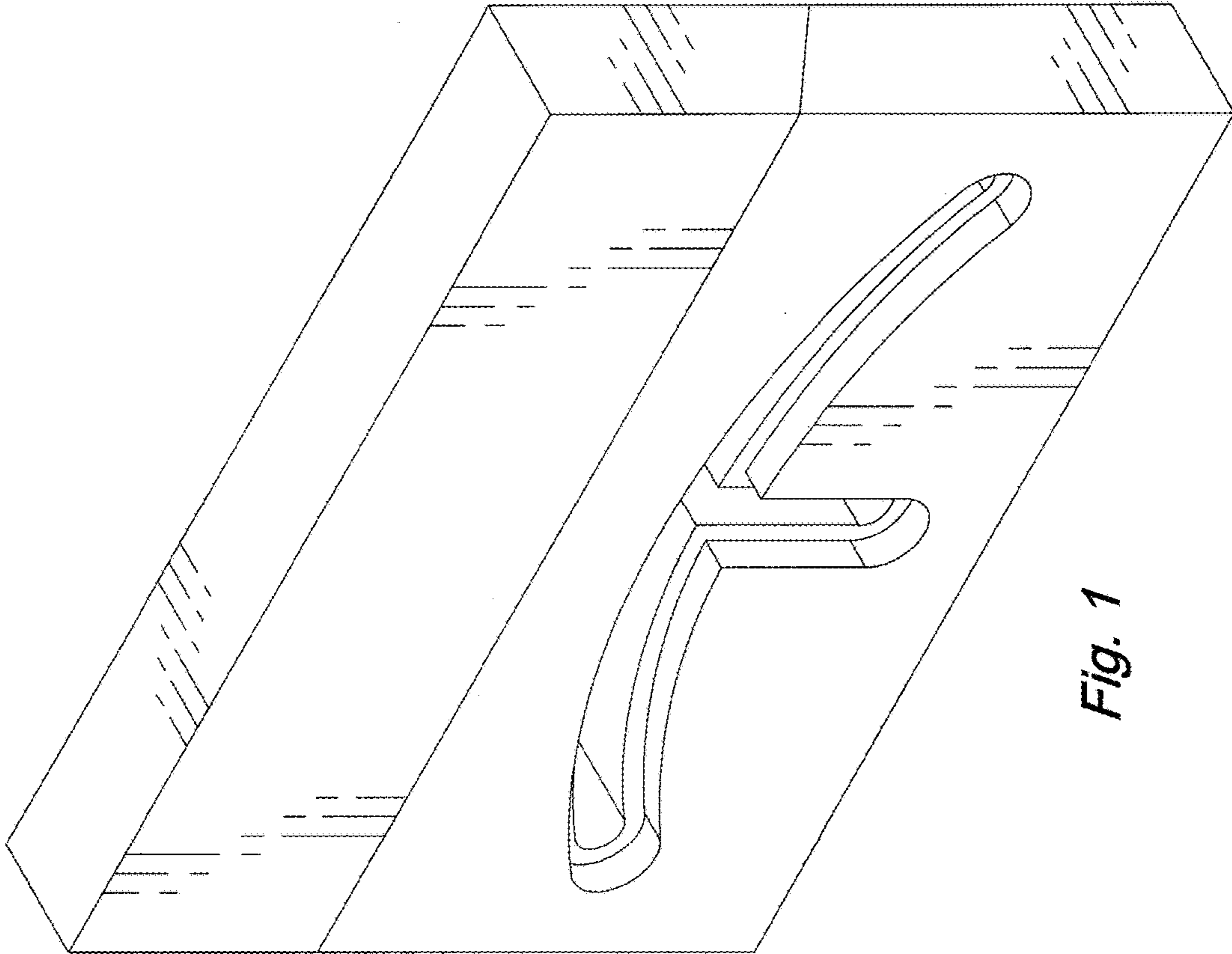


Fig. 1

Fig. 2

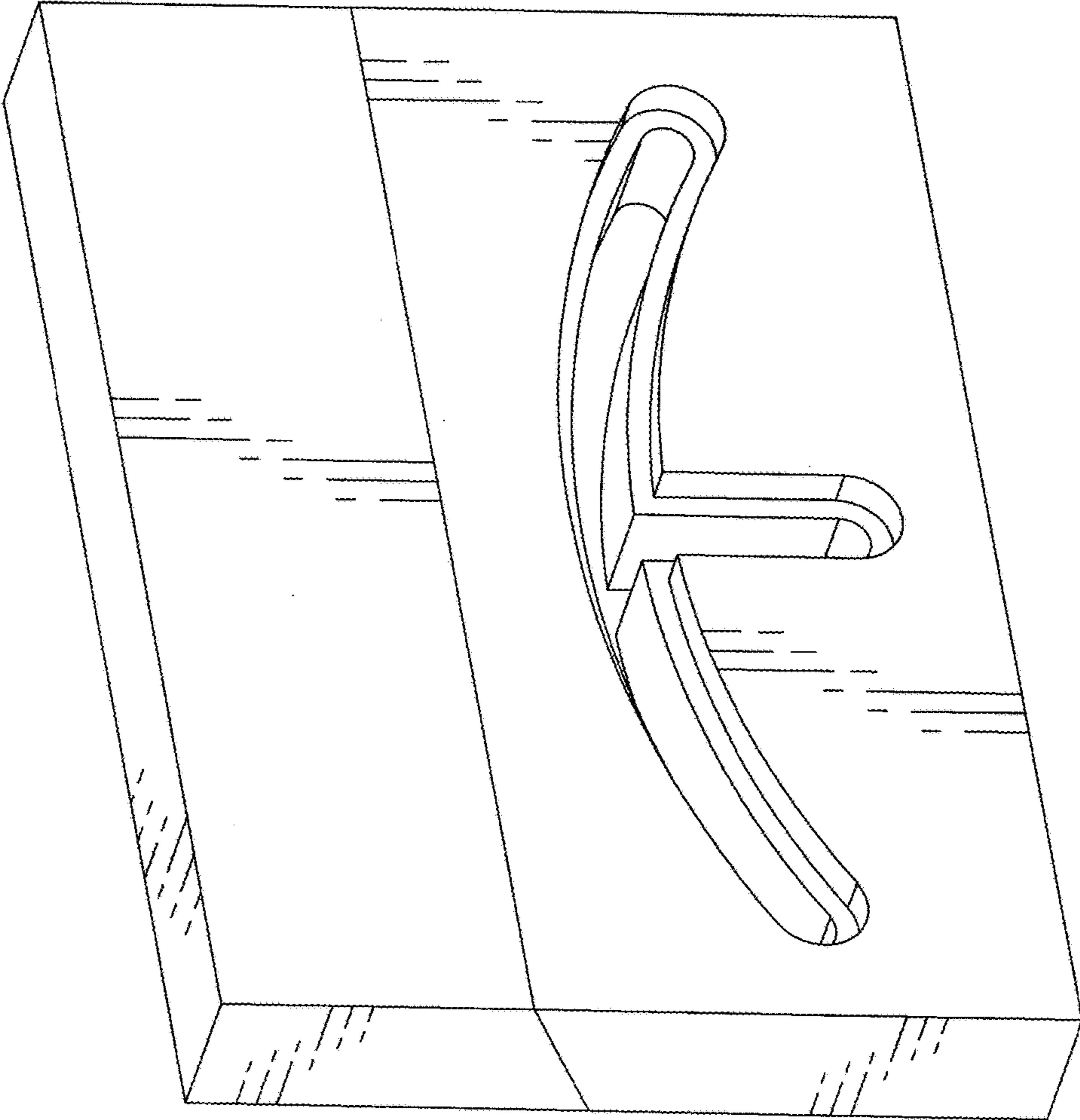


Fig. 3

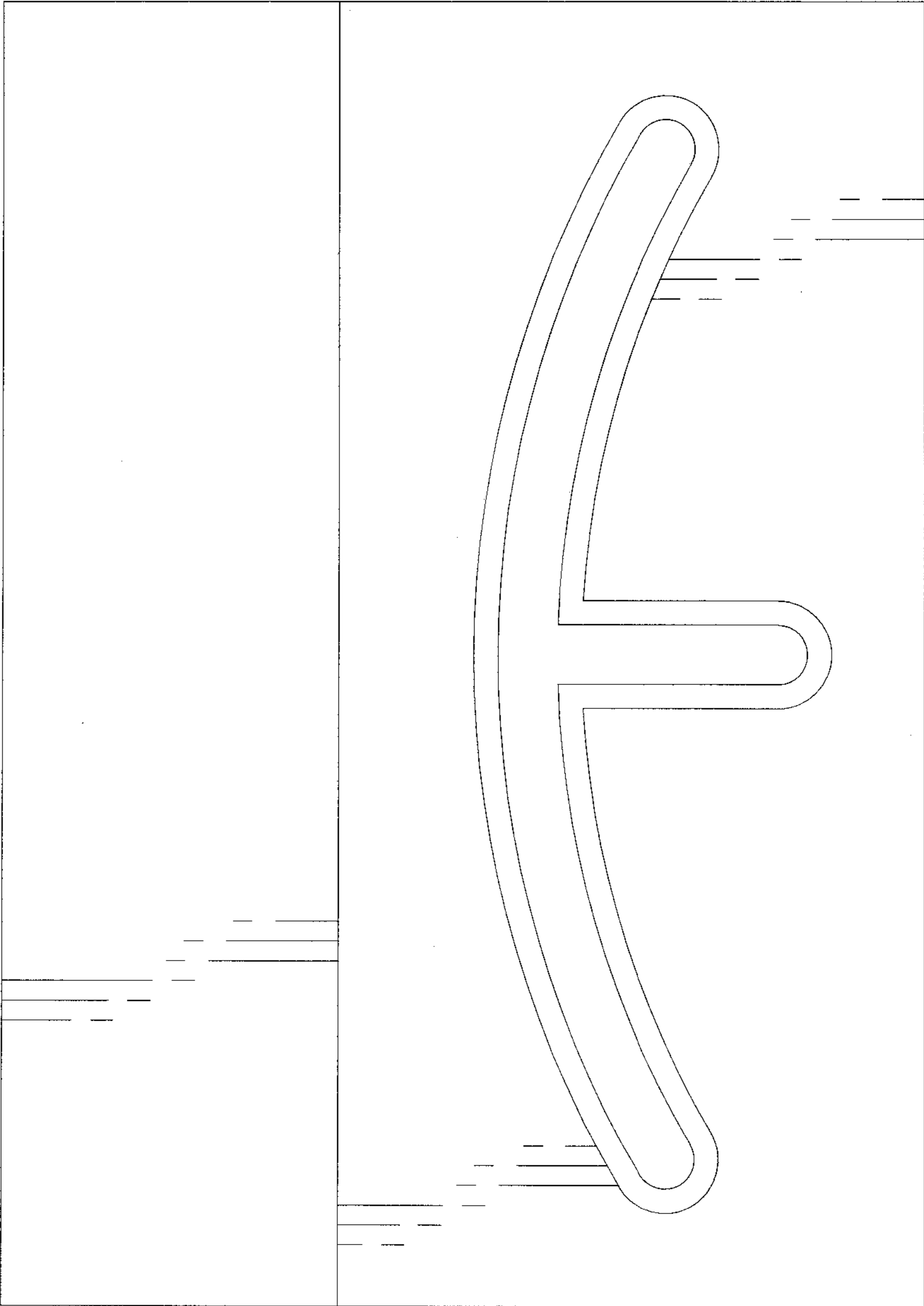
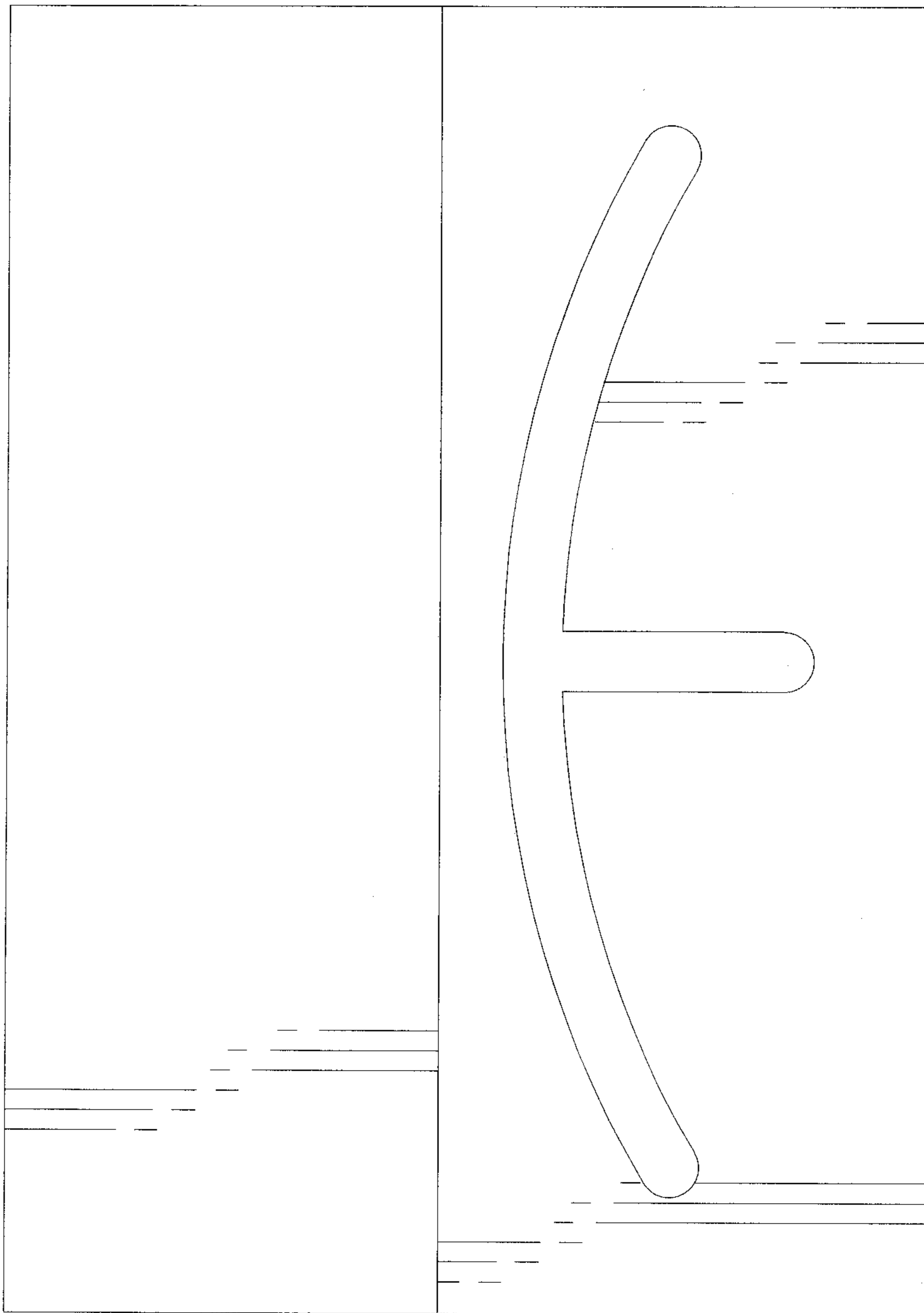


Fig. 4



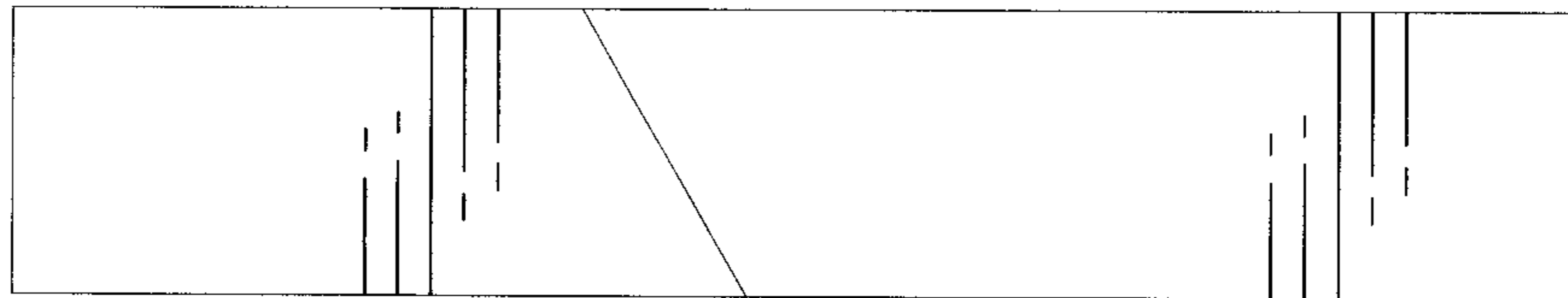


Fig. 6

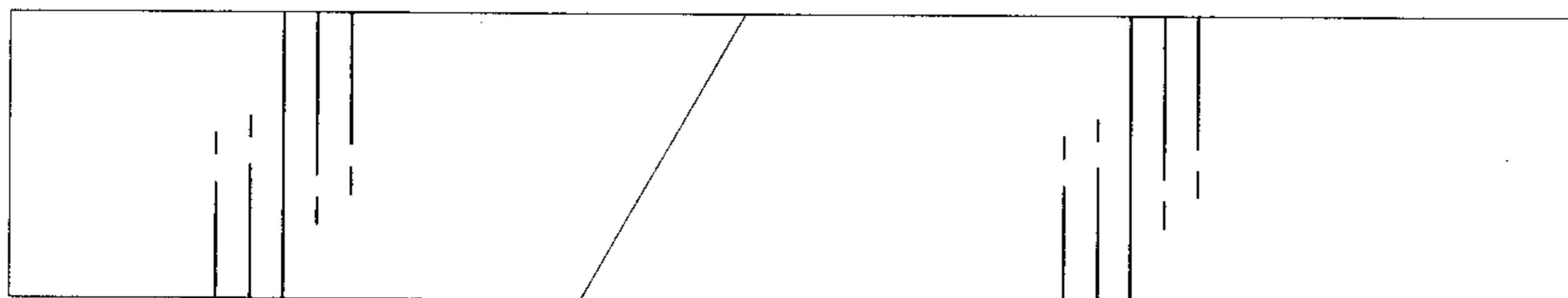


Fig. 5

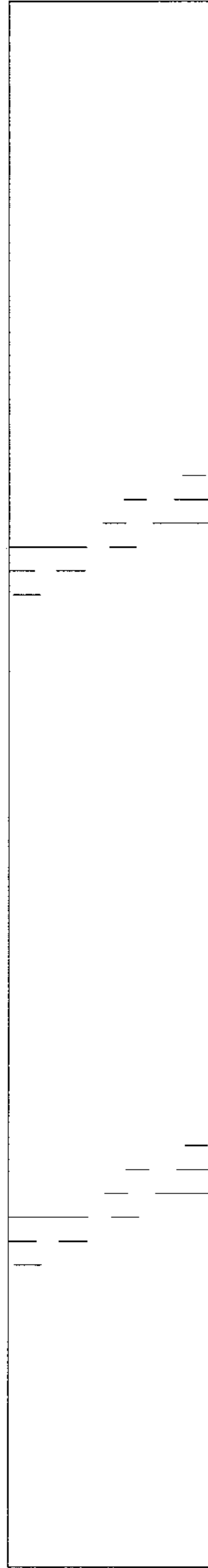


Fig. 7

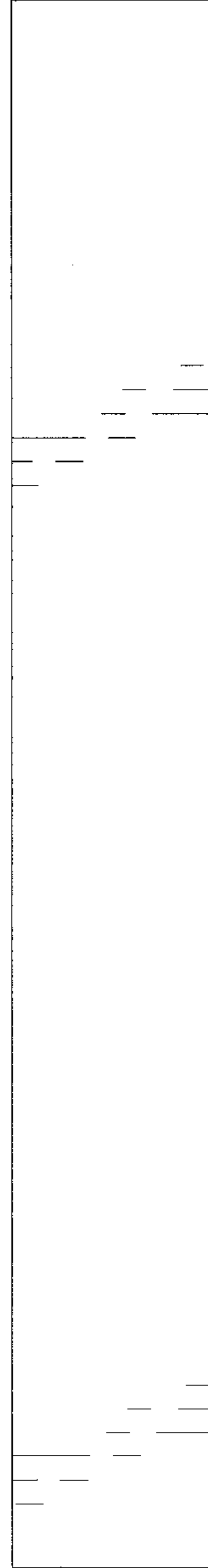


Fig. 8

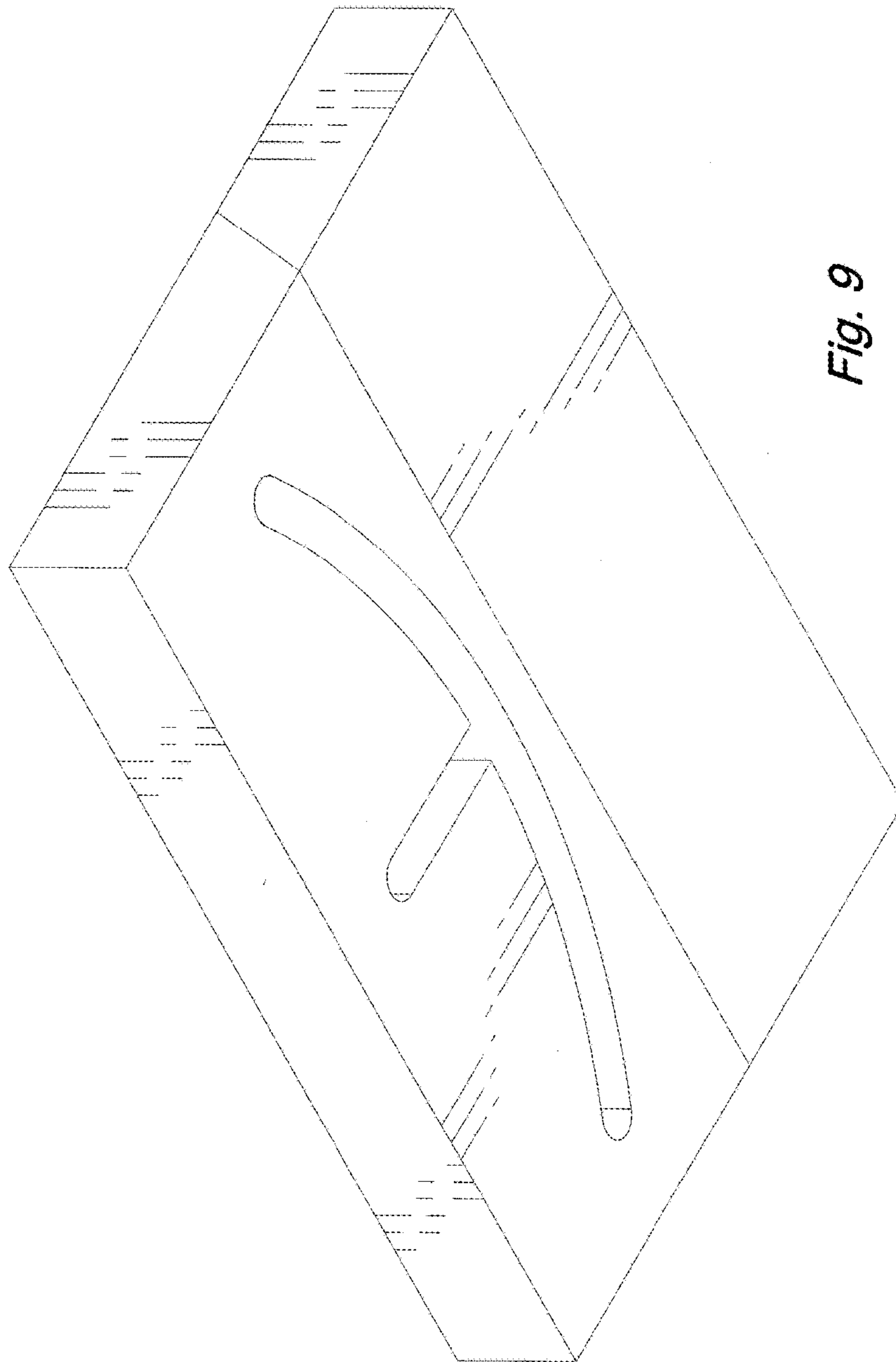


Fig. 9

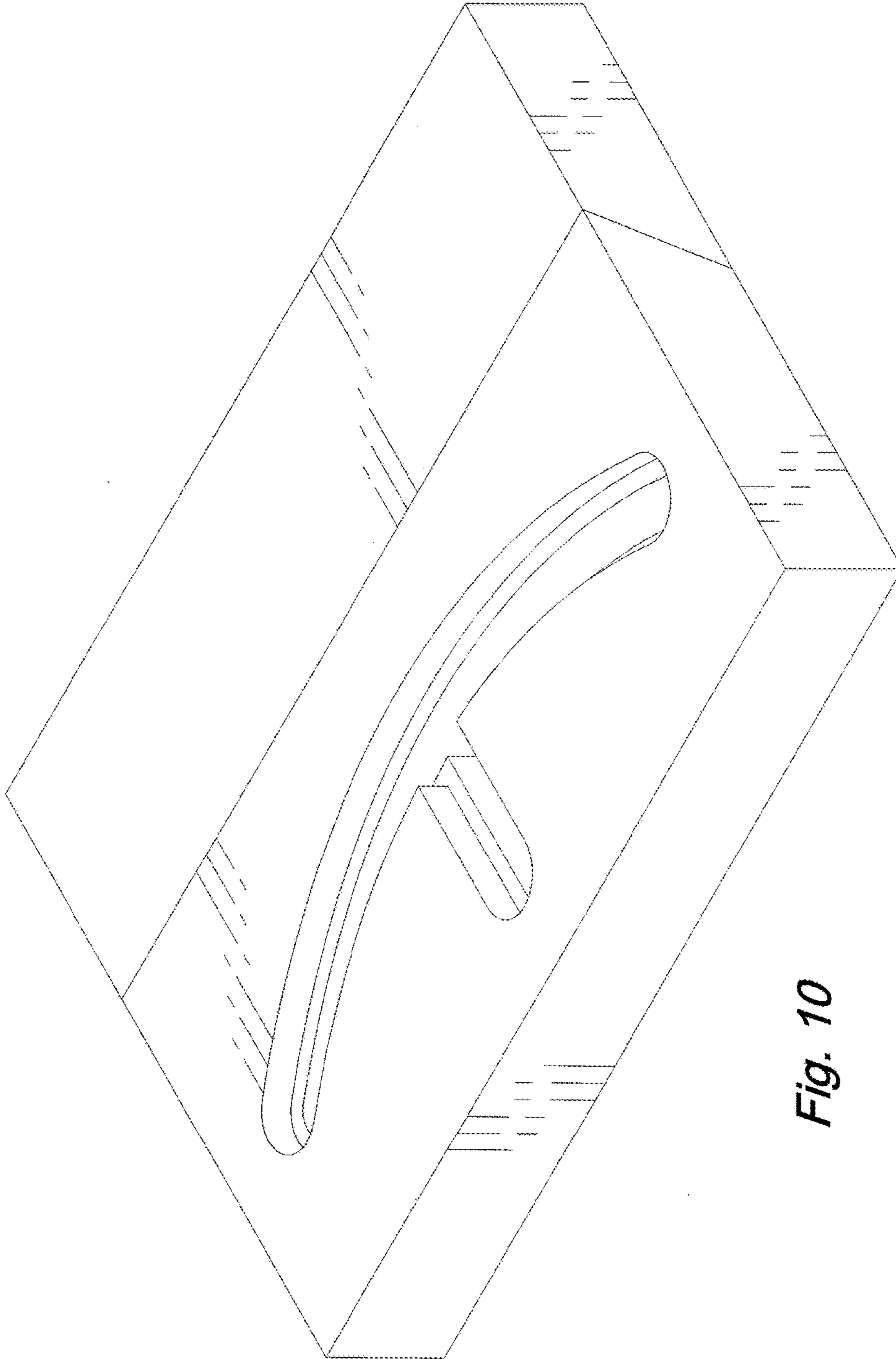


Fig. 10

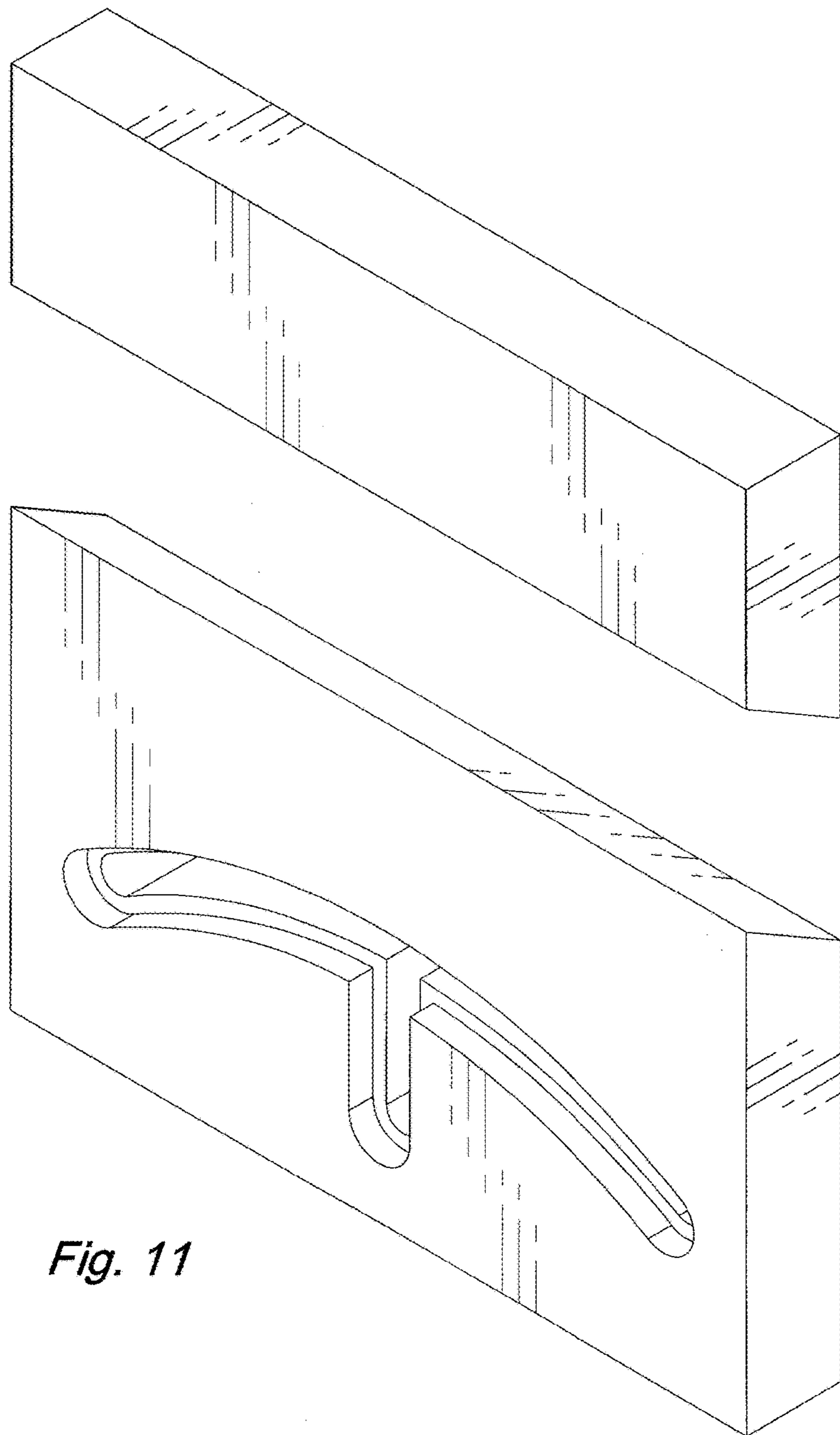


Fig. 11