



US00D806524S

(12) **United States Design Patent**
Honein

(10) **Patent No.:** **US D806,524 S**

(45) **Date of Patent:** **** Jan. 2, 2018**

(54) **HANDRAIL BRACKET**

(71) Applicant: **Jad Honein**, Seattle, WA (US)

(72) Inventor: **Jad Honein**, Seattle, WA (US)

(**) Term: **15 Years**

(21) Appl. No.: **29/532,277**

(22) Filed: **Jul. 3, 2015**

(51) **LOC (11) Cl.** **08-05**

(52) **U.S. Cl.**
USPC **D8/363**

(58) **Field of Classification Search**

USPC D8/373, 376, 363; D6/556, 554, 512,
D6/718.12, 654.11, 653.18, 648.1, 653.11,
D6/327, 324; D21/679, 691; D14/251
CPC E04F 11/1804; E04F 11/1812; E04F 21/26
See application file for complete search history.

(56) **References Cited**

U.S. PATENT DOCUMENTS

D239,149 S *	3/1976	Hussey	D11/144
D297,411 S *	8/1988	Angel	D12/223
D298,915 S *	12/1988	Rowley	D8/356
D385,000 S *	10/1997	Reeder	D21/691
D597,614 S *	8/2009	Goddard	D21/686
D623,707 S *	9/2010	Ritchie	D21/679
D646,957 S *	10/2011	Syed	D8/363
D650,024 S *	12/2011	Ivanov	D21/662

OTHER PUBLICATIONS

Wall Bracket posted on Amazon.com by Inline Design on Dec. 4, 2013 found on Aug. 9, 2017 at https://www.amazon.com/gp/product/B00H36CPWA/ref=s9_dcacsd_dcoop_bw_c_x_1_w.*

* cited by examiner

Primary Examiner — Robert M Spear

Assistant Examiner — Eliza Bennett-Hattan

(74) *Attorney, Agent, or Firm* — Seed IP Law Group LLP

(57) **CLAIM**

The ornamental design for a handrail bracket, as shown and described.

DESCRIPTION

FIG. 1 is an isometric view of a handrail bracket of our new design in an installed environment.

FIG. 2 is an enlarged isometric view of the handrail bracket of FIG. 1.

FIG. 3 is a front elevational view thereof.

FIG. 4 is a back elevational view thereof.

FIG. 5 is a left side elevational view thereof, the right side elevational view is a mirror image of the left side.

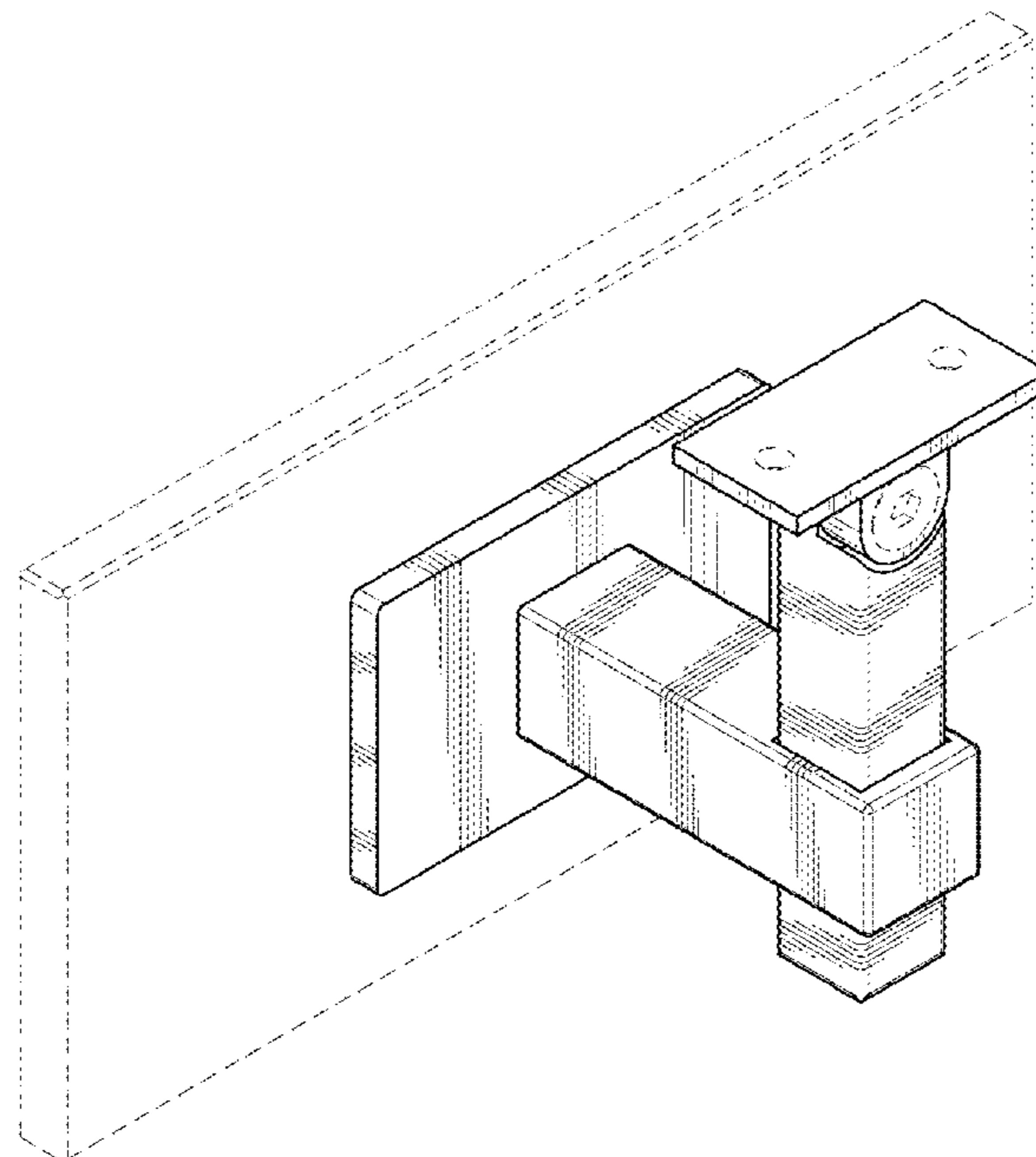
FIG. 6 is a bottom plan view thereof.

FIG. 7 is a top plan view thereof; and,

FIG. 8 is a front elevational view thereof, with a portion being rotated.

Shading lines shown in the drawings are intended to represent the three-dimensional contour of the design, and are not intended to indicate surface decoration. The broken lines in FIGS. 1-3, 5, 7, and 8 depict environmental subject matter only and form no part of the claimed design. Unshaded surfaces form no part of the claim.

1 Claim, 8 Drawing Sheets



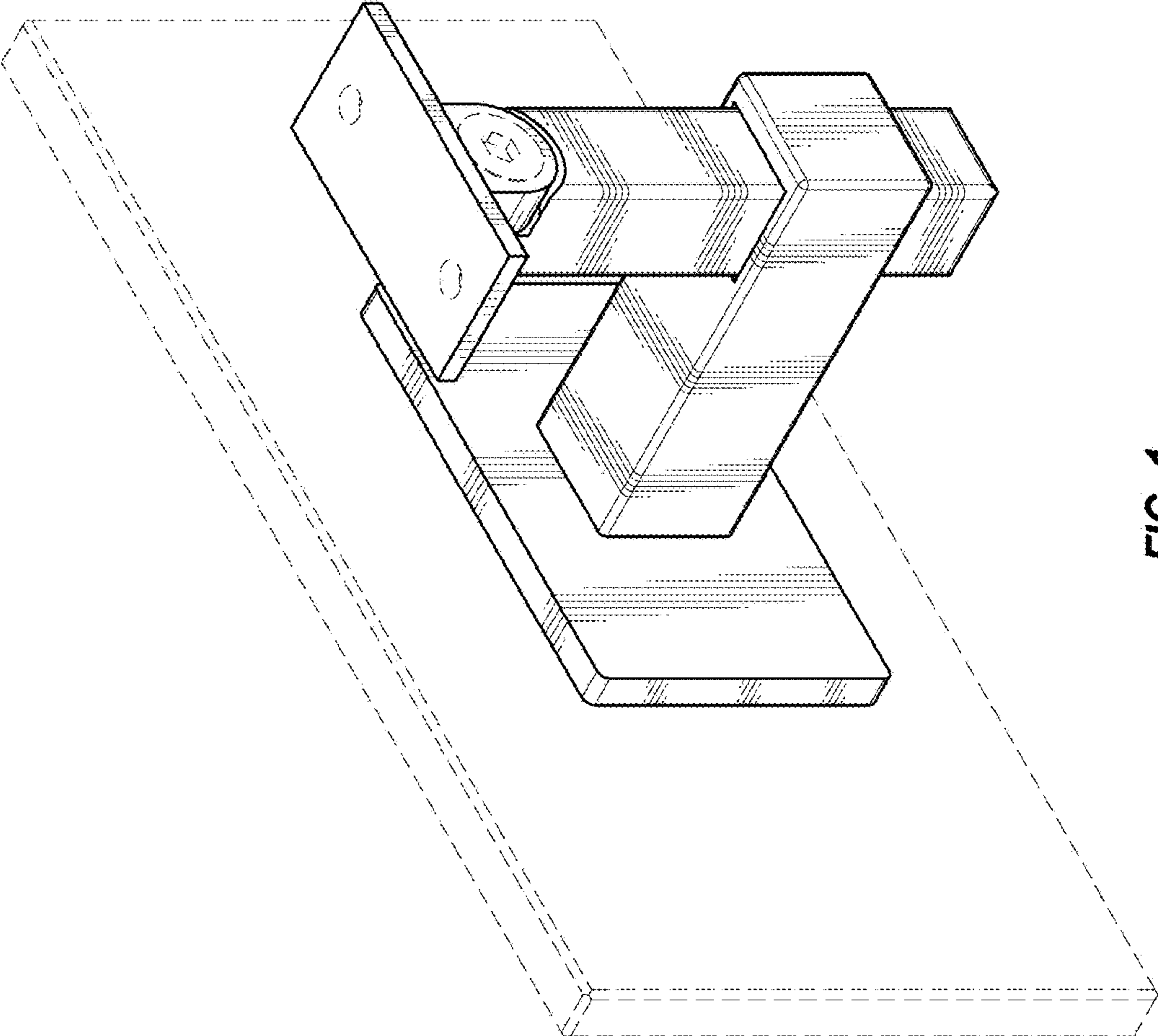


FIG. 1

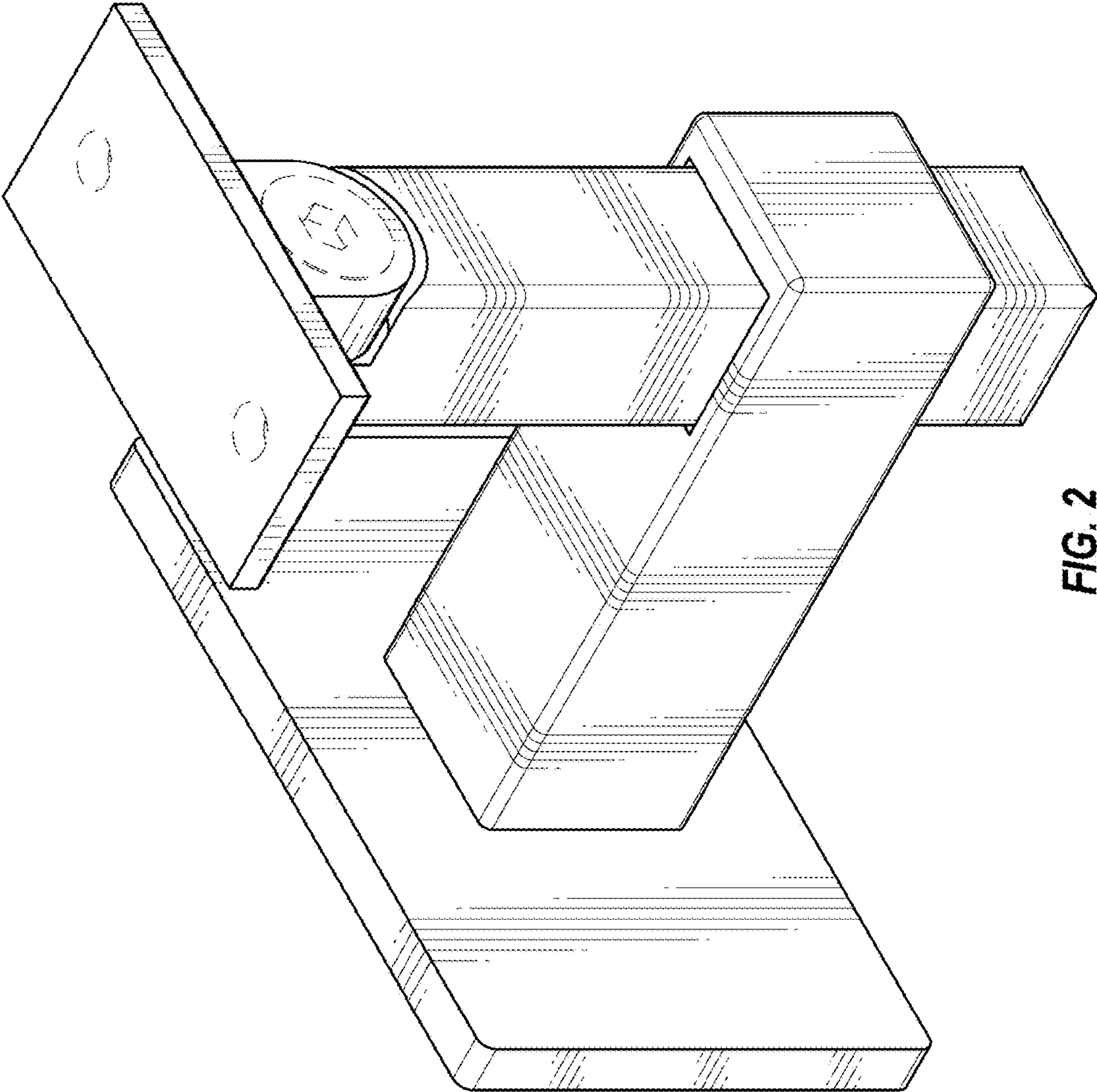


FIG. 2

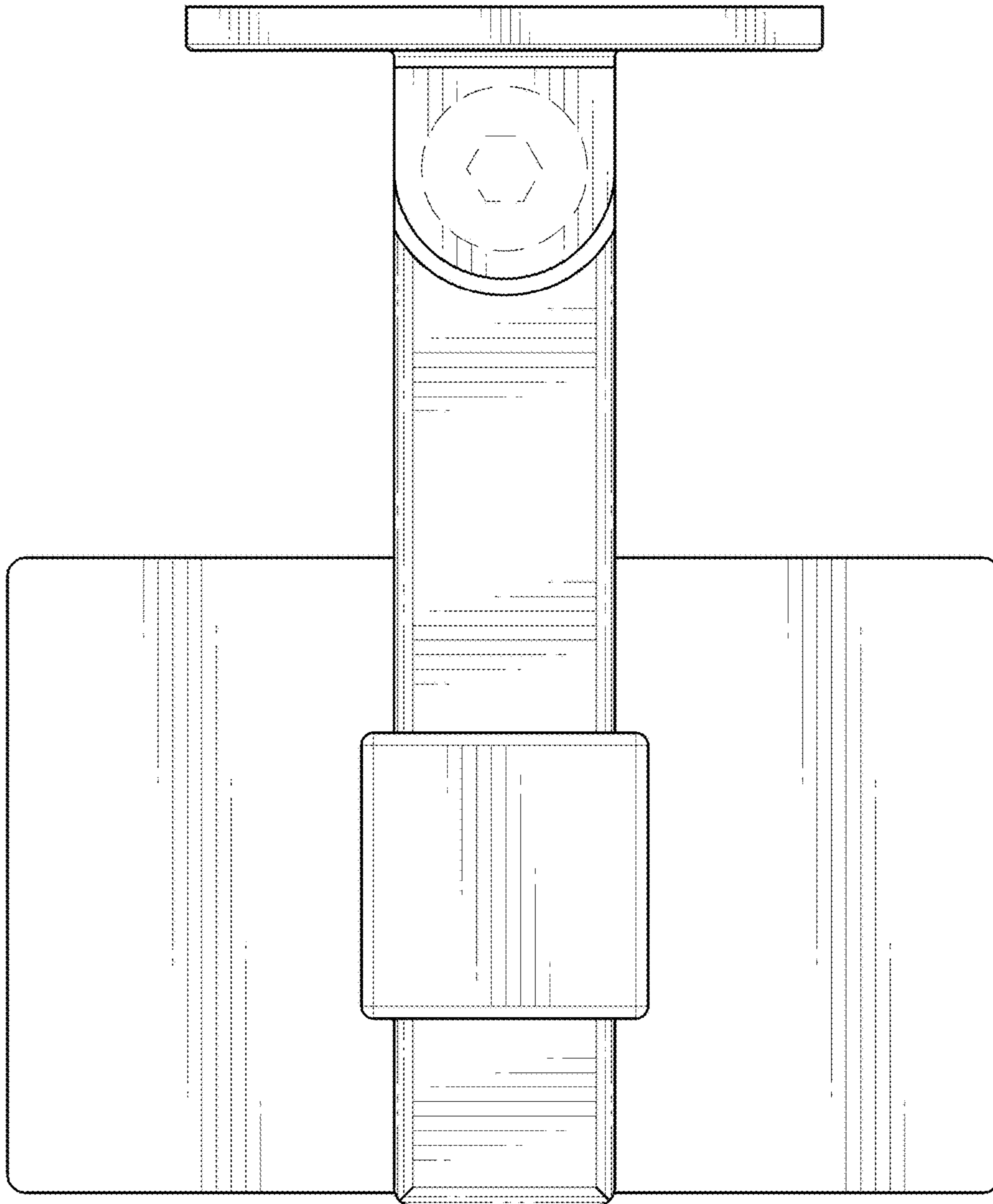


FIG. 3

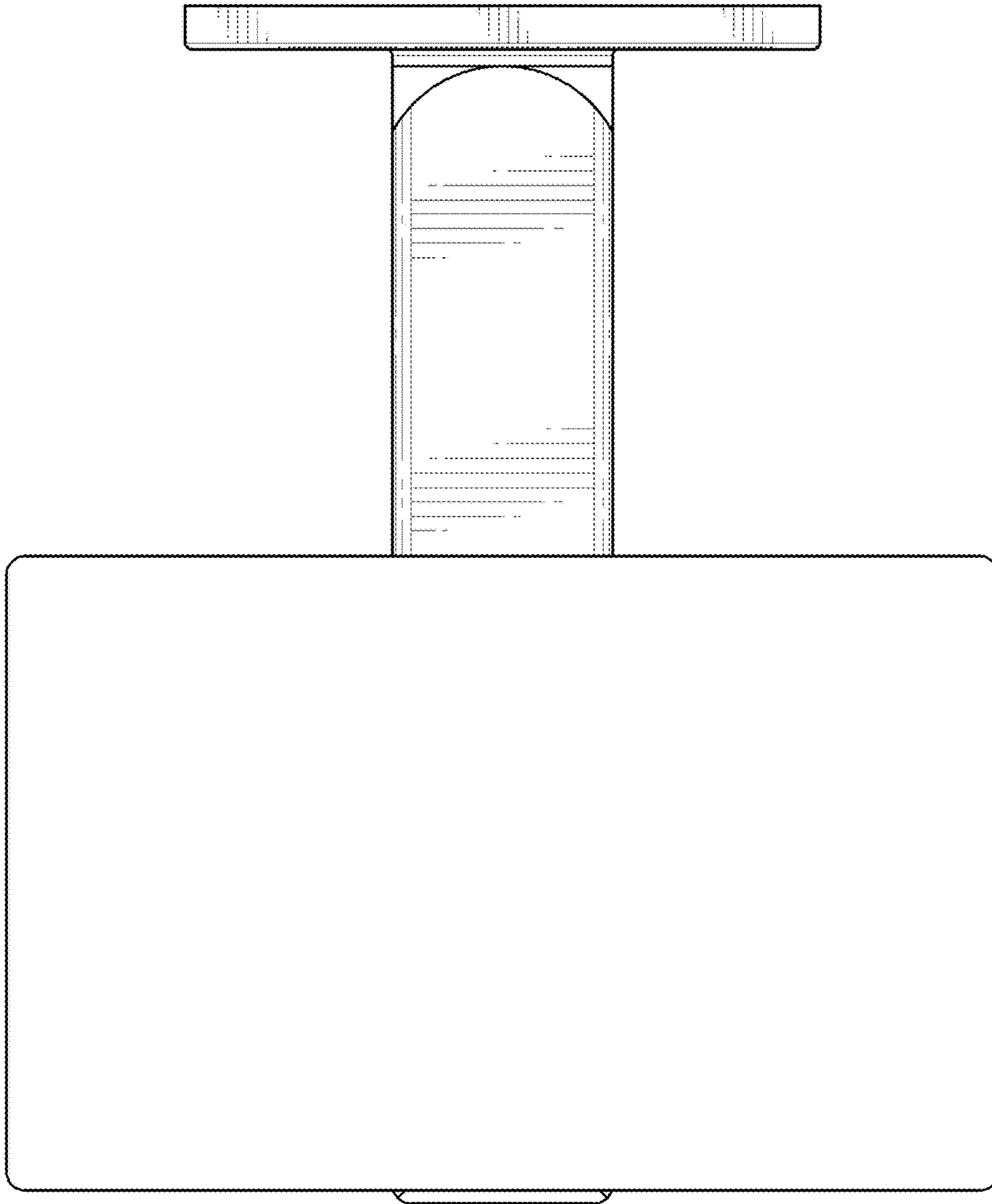


FIG. 4

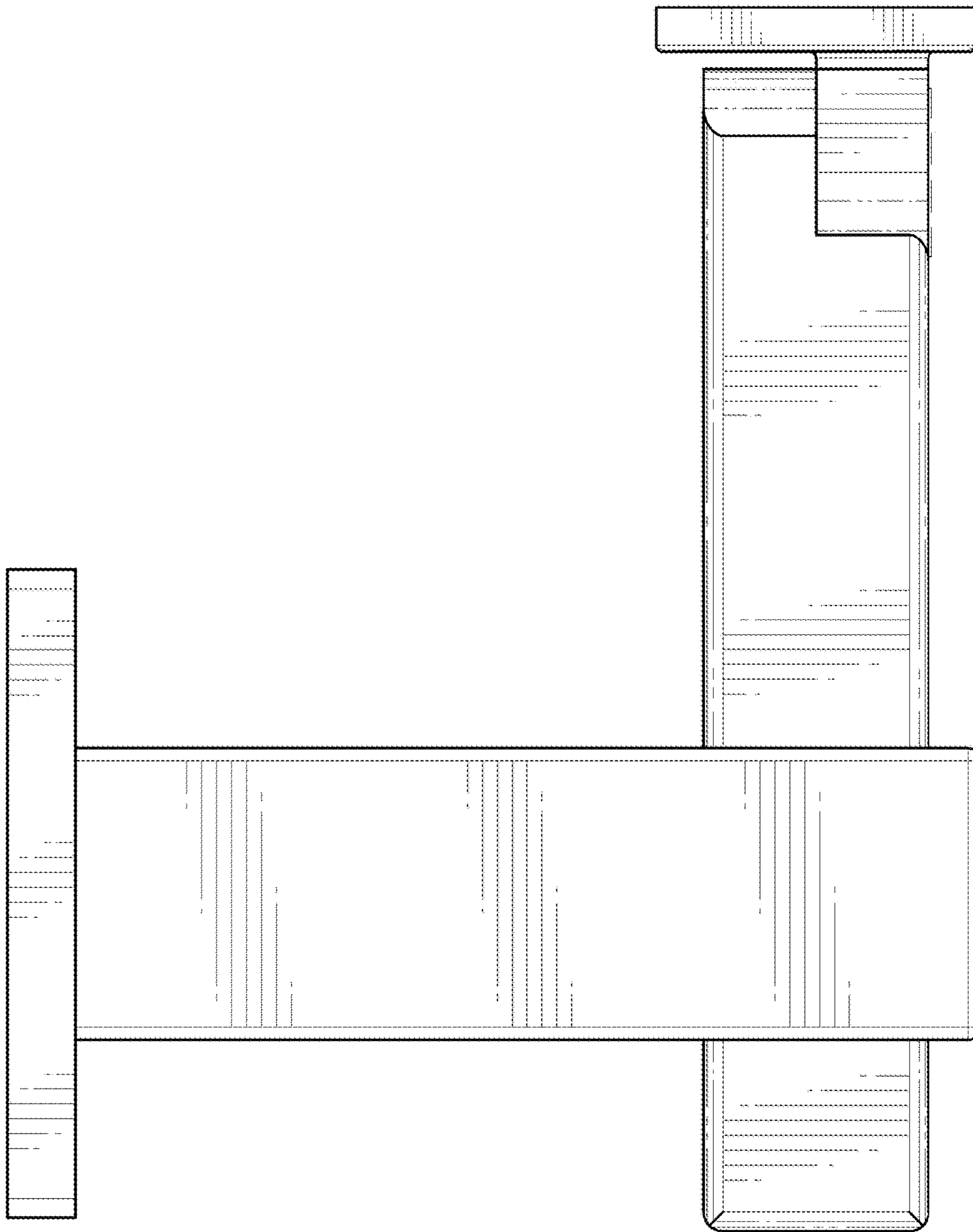


FIG. 5

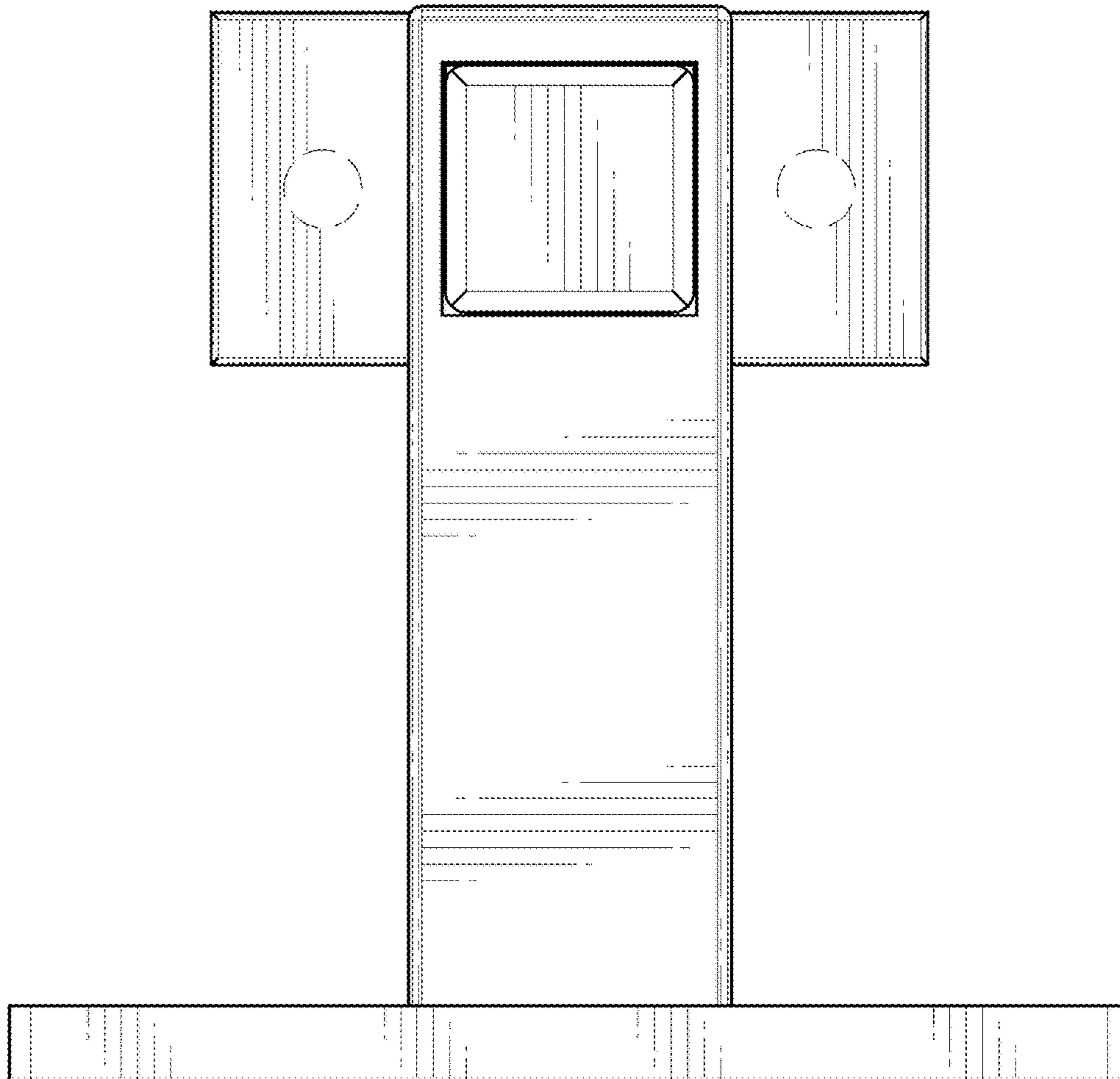


FIG. 6

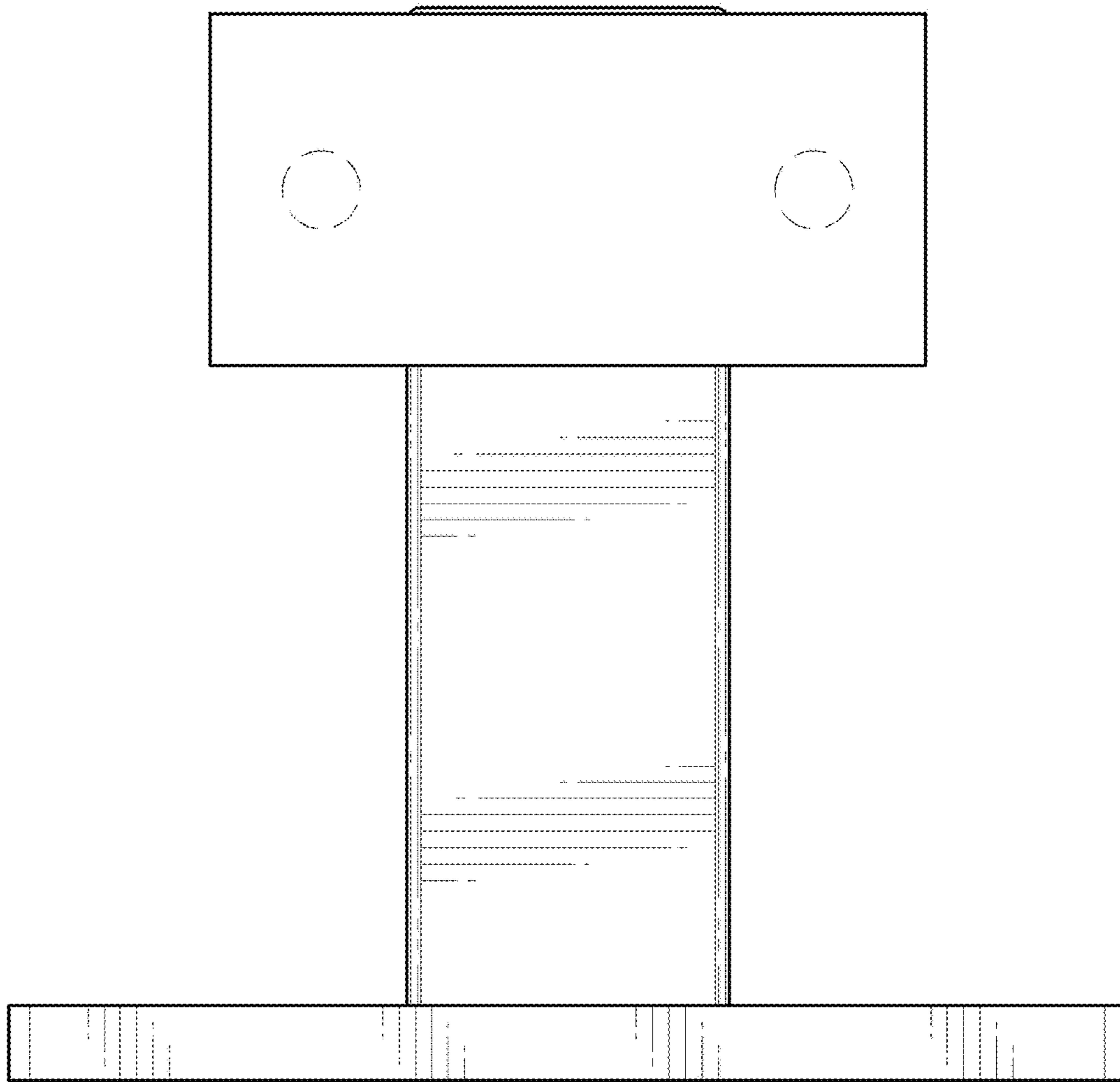


FIG. 7

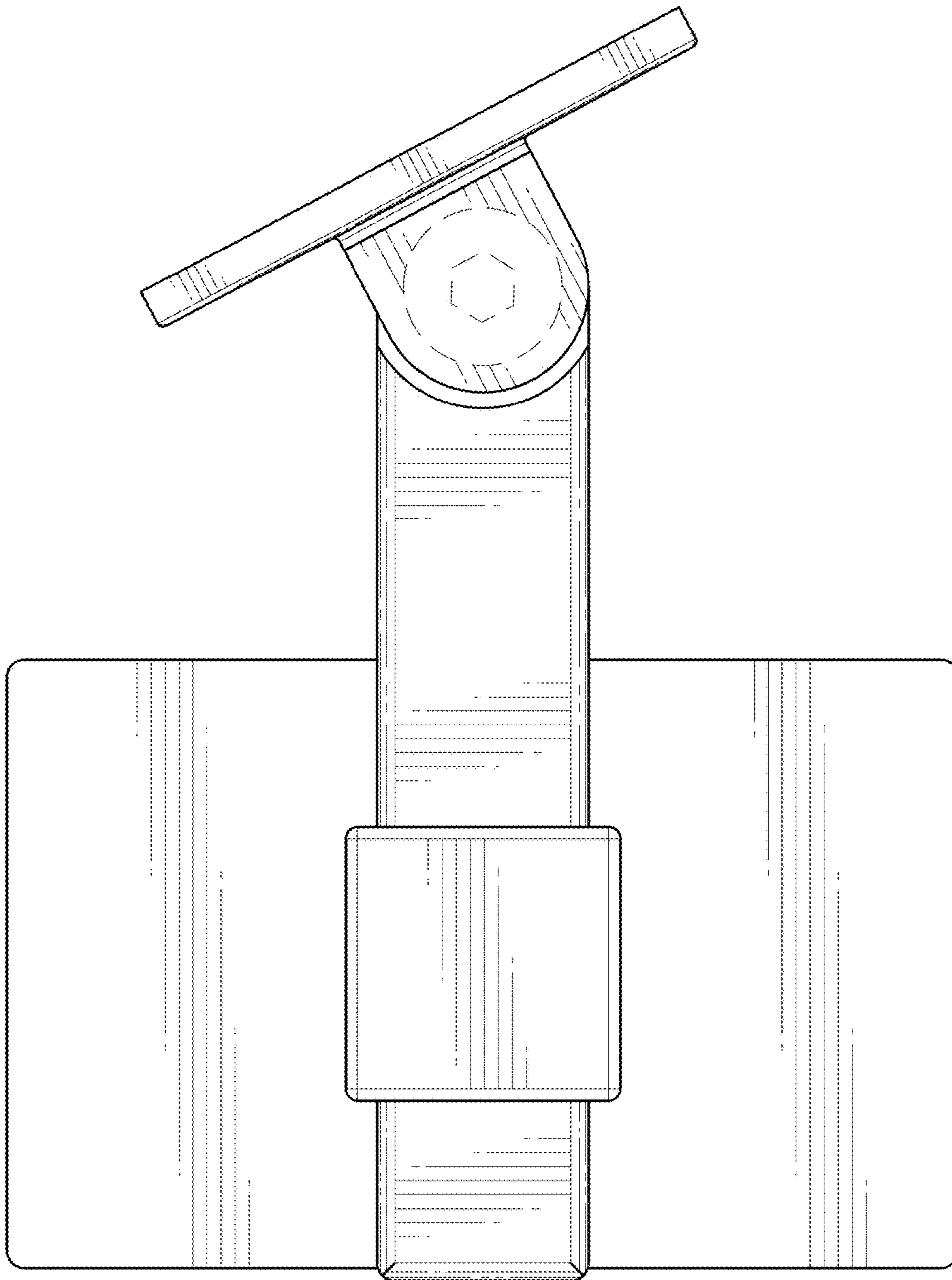


FIG. 8