



US00D806523S

(12) **United States Design Patent**
Kencevski

(10) **Patent No.:** **US D806,523 S**

(45) **Date of Patent:** **** Jan. 2, 2018**

- (54) **SPARK PLUG WIRE RETAINER**
- (71) Applicant: **Jason Kencevski**, Sydney (AU)
- (72) Inventor: **Jason Kencevski**, Sydney (AU)
- (**) Term: **15 Years**
- (21) Appl. No.: **29/560,101**
- (22) Filed: **Apr. 3, 2016**
- (51) **LOC (11) Cl.** **09-06**
- (52) **U.S. Cl.**
USPC **D8/356**
- (58) **Field of Classification Search**
USPC D8/356, 354, 349
CPC B65H 57/16; E02D 5/803; B63B 21/045;
B63B 59/02; B60D 1/18; B60P 1/103;
Y10T 24/3918
See application file for complete search history.

- D741,149 S * 10/2015 Koop D8/356
- D774,877 S * 12/2016 Gonzalez D8/356
- D778,143 S * 2/2017 Crouse D8/356
- D784,117 S * 4/2017 Ferber D8/356
- D787,919 S * 5/2017 Knight D8/358
- D789,183 S * 6/2017 Herrick D8/356
- 2017/0181894 A1 * 6/2017 Allen A61F 13/00068

* cited by examiner

Primary Examiner — Cynthia Underwood

(74) *Attorney, Agent, or Firm* — Integral Patent Associates; Laurence J. Shaw

(57) **CLAIM**

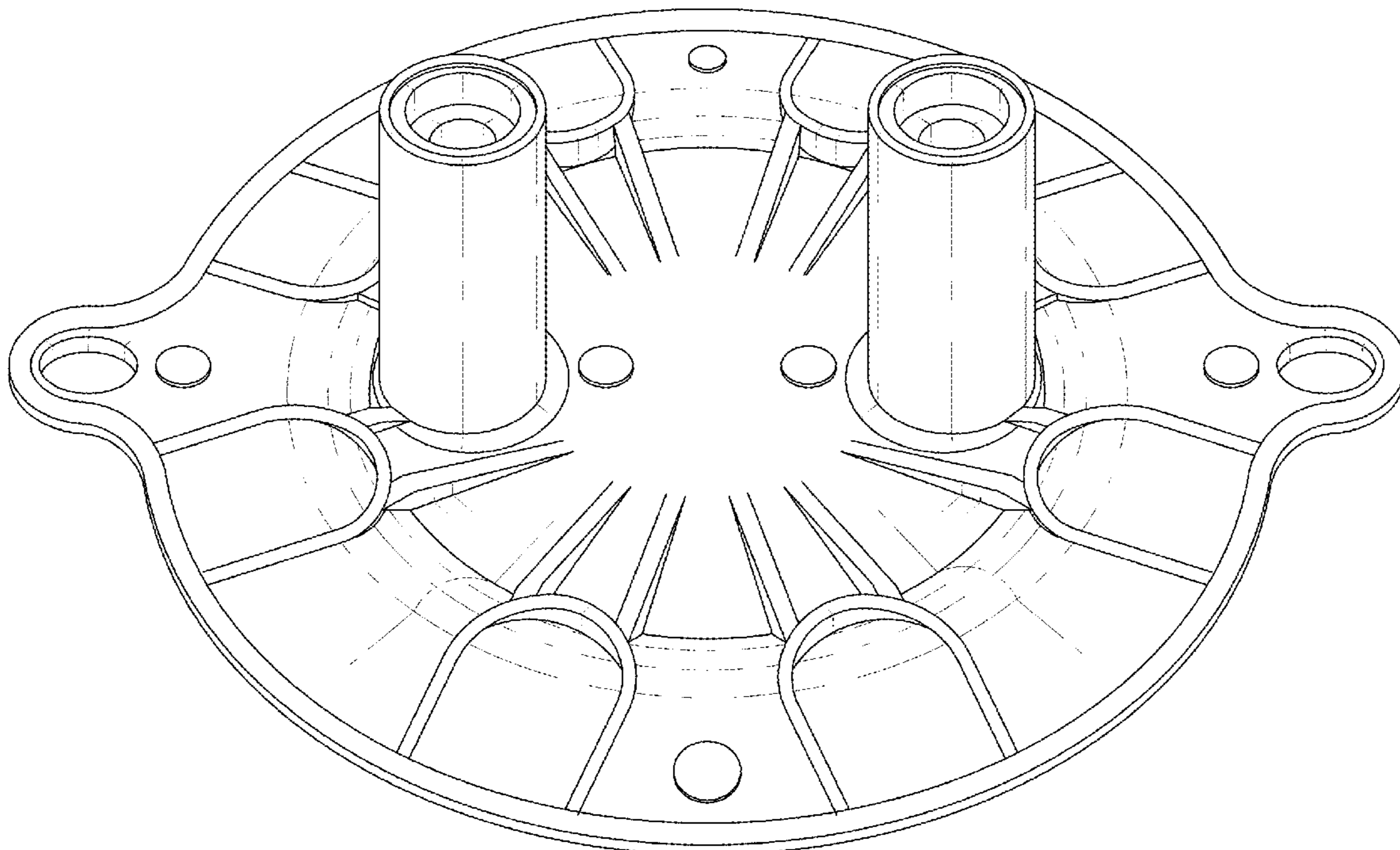
I claim the ornamental design for a spark plug wire retainer, as shown and described.

DESCRIPTION

FIG. 1 shows a bottom, front side perspective view of a spark plug wire retainer showing my new design, the bottom, rear side perspective view being a mirror image; FIG. 2 shows a top, front side perspective view thereof, the top, rear side perspective view being a mirror image; and, FIG. 3 shows a top, front side perspective view of the spark plug wire retainer of FIGS. 1 and 2 mounted on an automotive distributor, with the unclaimed environmental structure of an automotive distributor being shown in broken lines. The broken lines showing an automotive distributor is for illustrative purposes only and forms no part of the claimed design.

1 Claim, 3 Drawing Sheets

- (56) **References Cited**
U.S. PATENT DOCUMENTS
- 1,111,034 A * 9/1914 Robertson A44B 1/42
24/114.3
- D335,441 S * 5/1993 Fraker D8/369
- 5,492,313 A * 2/1996 Pan F16F 1/025
267/161
- D468,729 S * 1/2003 Takayama D14/224
- D554,984 S * 11/2007 Stenberg D8/349
- D557,118 S * 12/2007 Linginfelter D8/358



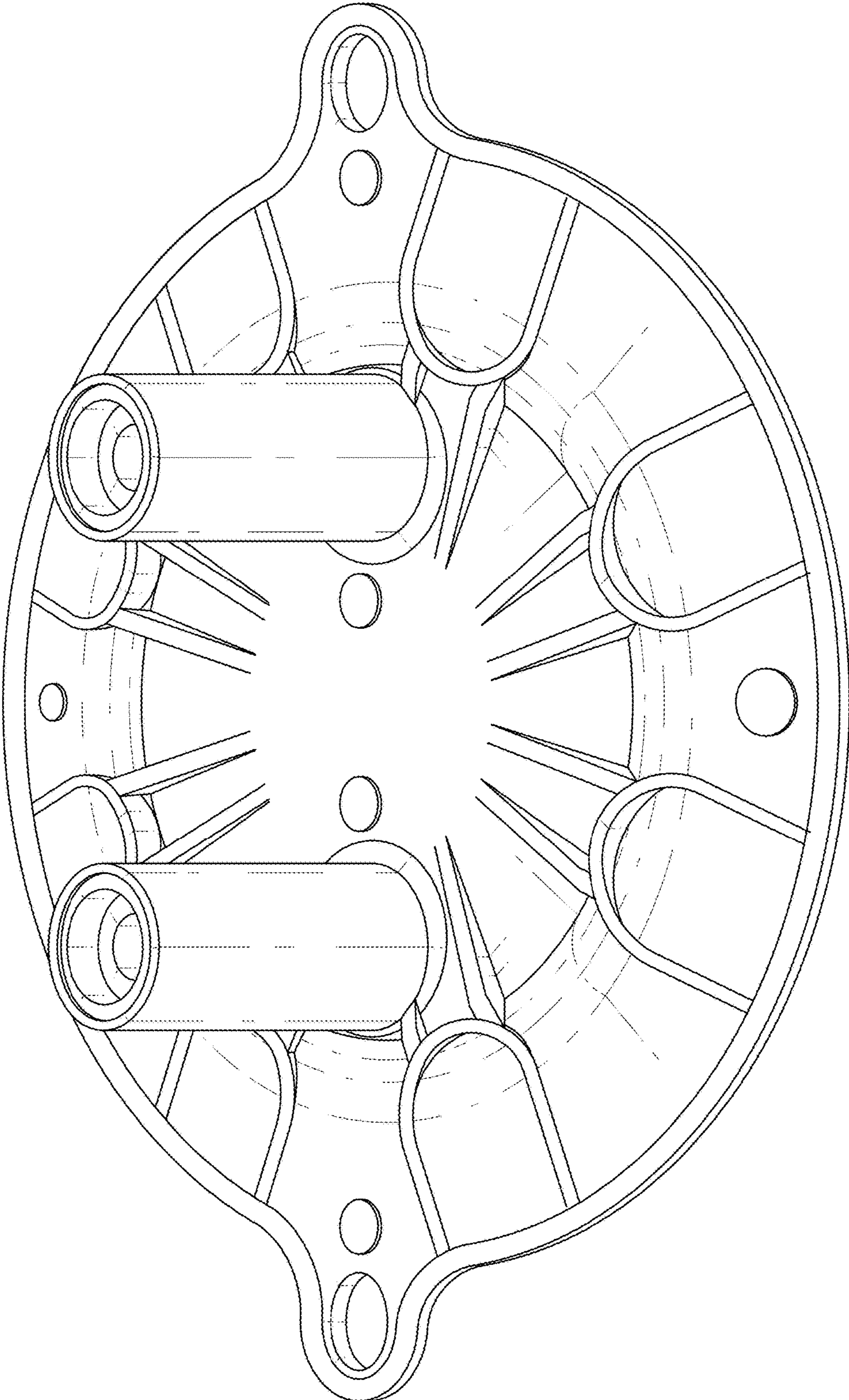


FIG. 1

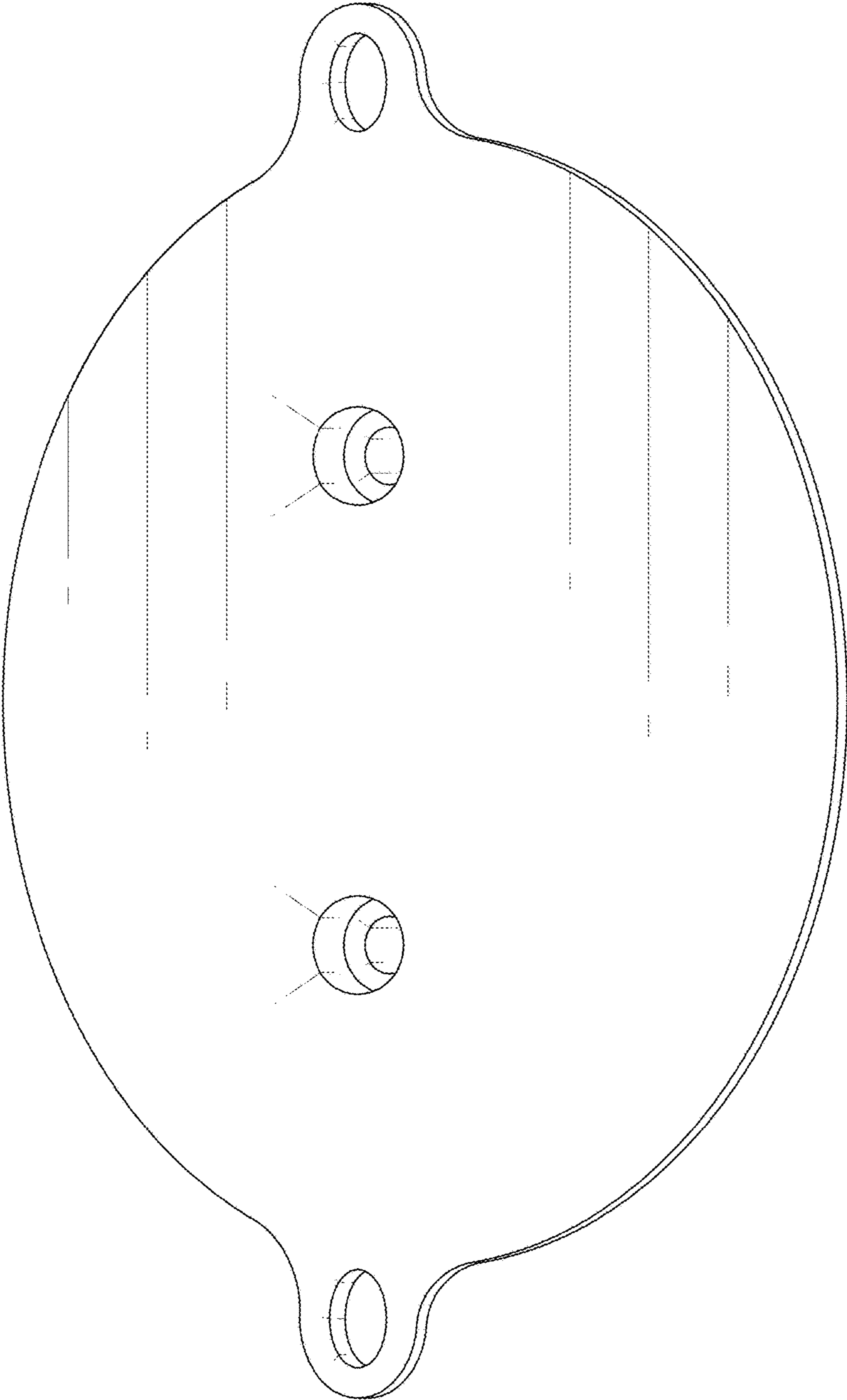


FIG. 2

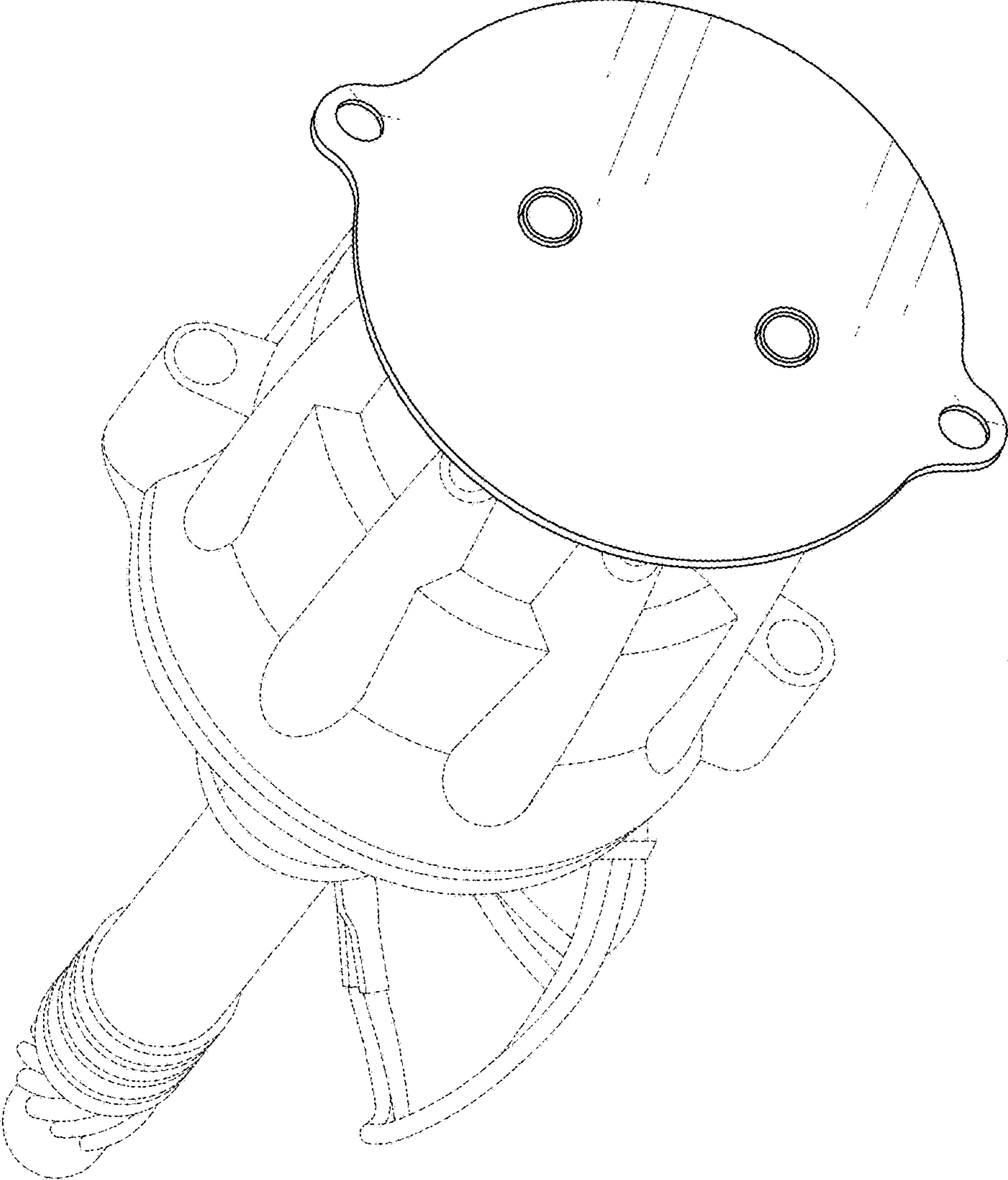


FIG. 3