



US00D806519S

(12) **United States Design Patent**
Gold

(10) **Patent No.:** **US D806,519 S**

(45) **Date of Patent:** **** Jan. 2, 2018**

- (54) **MULTI-ACCESS BIKE LOCK**
- (71) Applicant: **Scott Gold**, Marina Del Rey, CA (US)
- (72) Inventor: **Scott Gold**, Marina Del Rey, CA (US)
- (**) Term: **15 Years**
- (21) Appl. No.: **29/583,607**
- (22) Filed: **Nov. 7, 2016**

- 5,488,844 A * 2/1996 Winner B62H 5/00
70/18
- 5,505,064 A * 4/1996 Wang E05B 67/06
70/39
- 5,642,635 A * 7/1997 Wen-Chyun E05B 67/28
70/227
- 6,718,802 B2 * 4/2004 Vito B62H 5/00
70/18
- D722,262 S * 2/2015 Stevens D8/333
- 9,163,431 B2 * 10/2015 Young E05B 67/063

* cited by examiner

Related U.S. Application Data

- (60) Division of application No. 29/521,083, filed on Mar. 19, 2015, now Pat. No. Des. 773,282, which is a continuation of application No. 13/619,517, filed on Sep. 14, 2012, now abandoned.
- (51) **LOC (11) Cl.** **08-07**
- (52) **U.S. Cl.**
USPC **D8/339**
- (58) **Field of Classification Search**
USPC D8/330, 331, 333, 343, 339, 336, 349,
D8/334, 354; 70/14-16, 18, 57, 25, 158,
70/163-168, 233, 38 A, 38 C, 23, 20, 30,
70/51, 57.1, 202, 203, 431, 448, 465,
70/466; 292/288, 290, 340
CPC E05B 71/00; E05B 67/04; E05B 67/06;
E05B 67/22
See application file for complete search history.

Primary Examiner — Prabhakar Deshmukh

(74) *Attorney, Agent, or Firm* — Lawrence S. Cohen

(57) **CLAIM**

I claim the ornamental design for multi-access bike lock, as shown and described.

DESCRIPTION

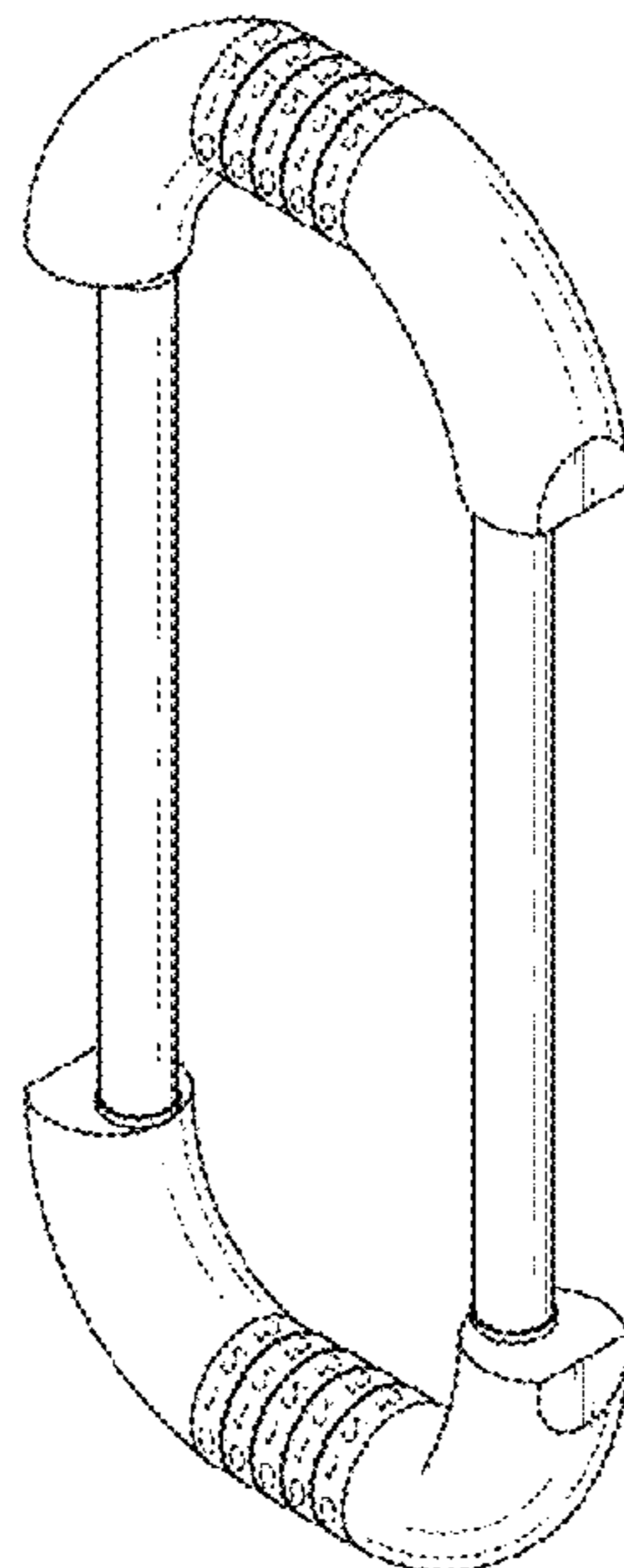
FIG. 1 is a perspective view of a multi-access bike lock showing my new design;
 FIG. 2 is a front elevational view thereof the rear elevational view being the same;
 FIG. 3 is a bottom view thereof the top view being the same;
 FIG. 4 is a right side view thereof the left side view being the same;
 FIG. 5 is a perspective view of a second embodiment of a multi-access bike lock;
 FIG. 6 is a front elevational view thereof the rear elevational view being the same;
 FIG. 7 is a bottom view thereof the top view being the same; and,
 FIG. 8 is a right side view thereof the left side view being the same.
 The broken lines indicate unclaimed portions and form no part of the claimed design.

(56) **References Cited**

U.S. PATENT DOCUMENTS

- D238,548 S * 1/1976 Seakan D8/333
- D239,003 S * 3/1976 Seakan D8/334
- D295,719 S * 5/1988 DeLuca D8/331
- 5,467,620 A * 11/1995 Byrd, Jr. E05B 67/063
70/227

1 Claim, 8 Drawing Sheets



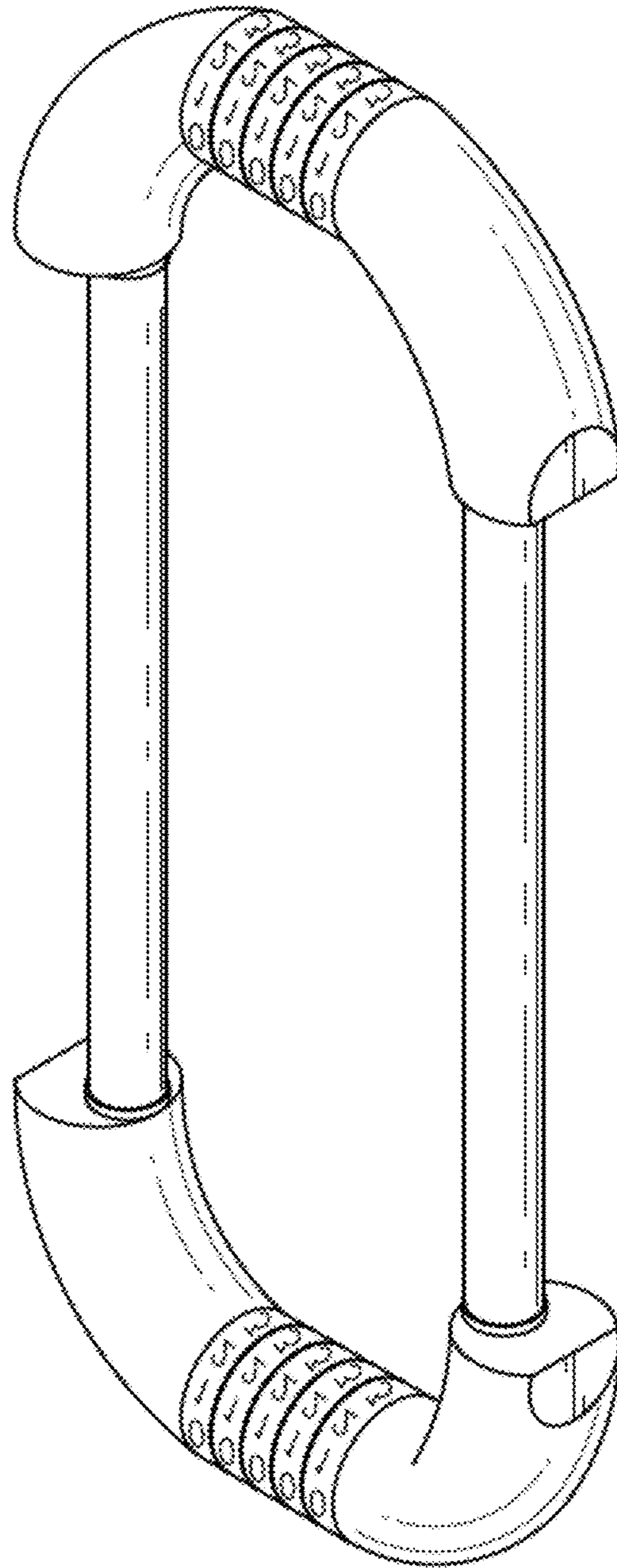


FIG. 1

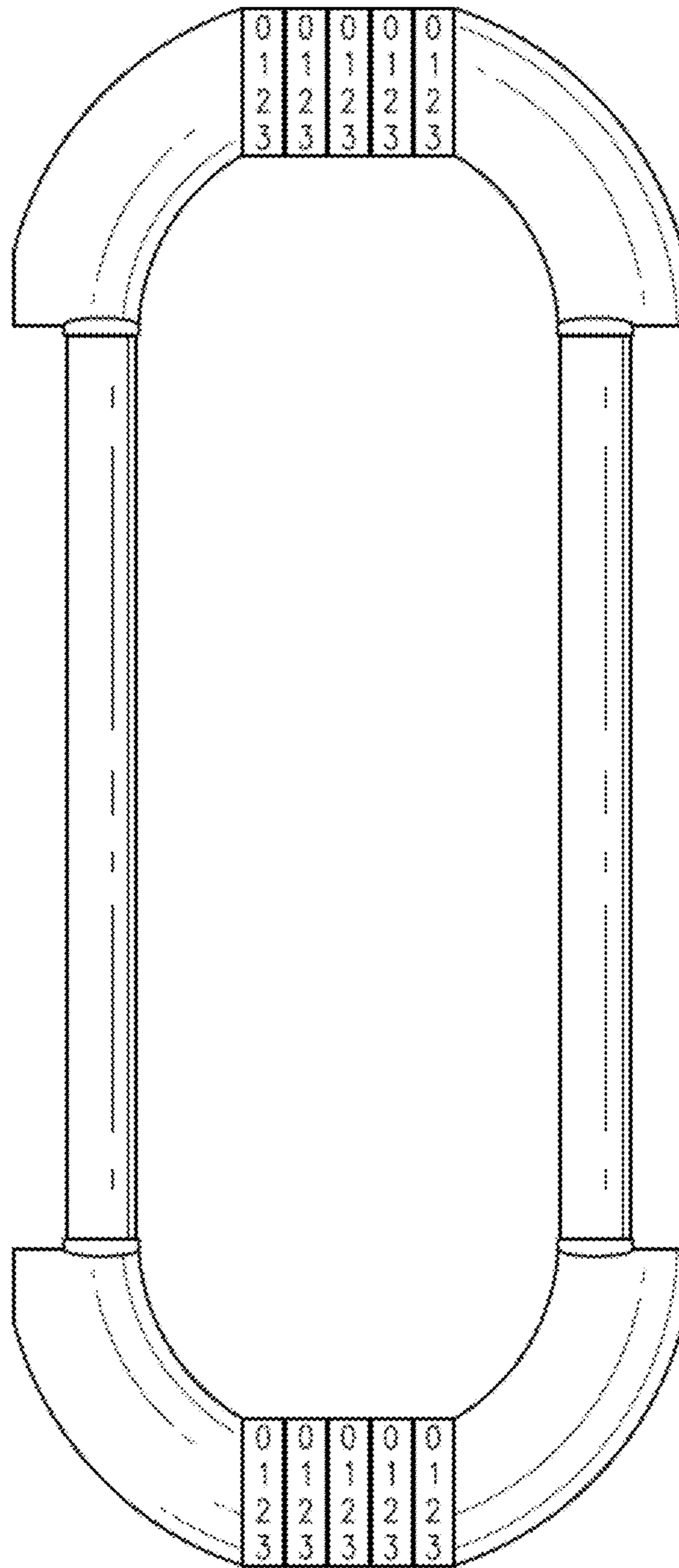


FIG. 2

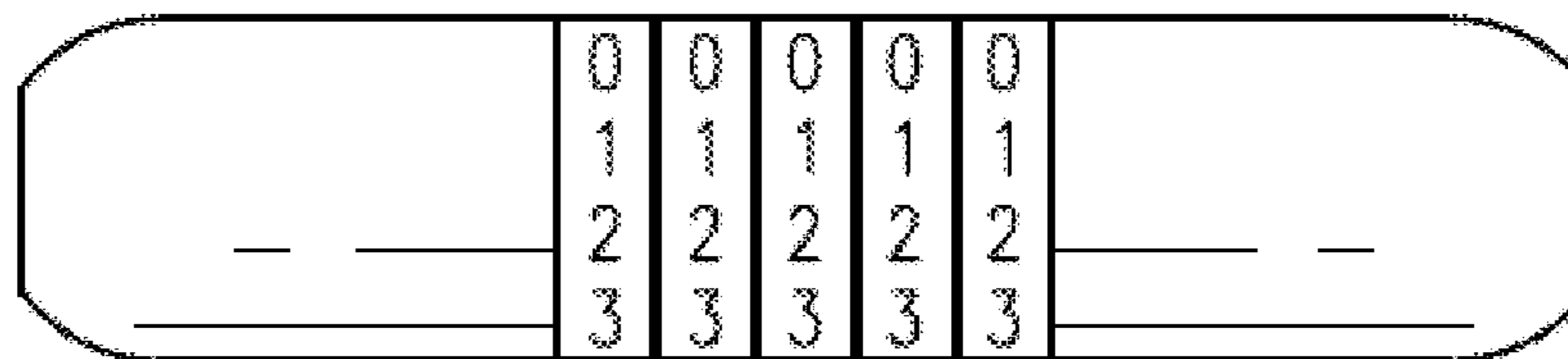


FIG. 3

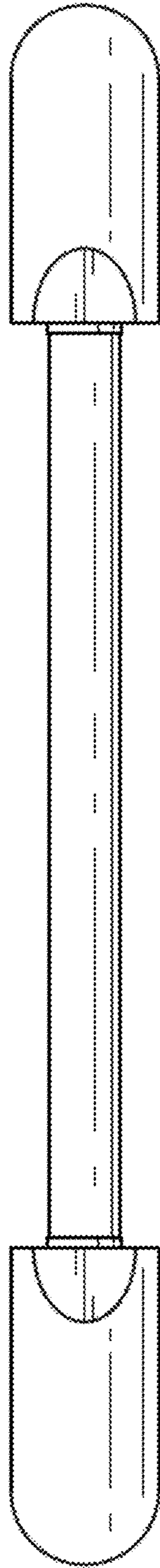


FIG. 4

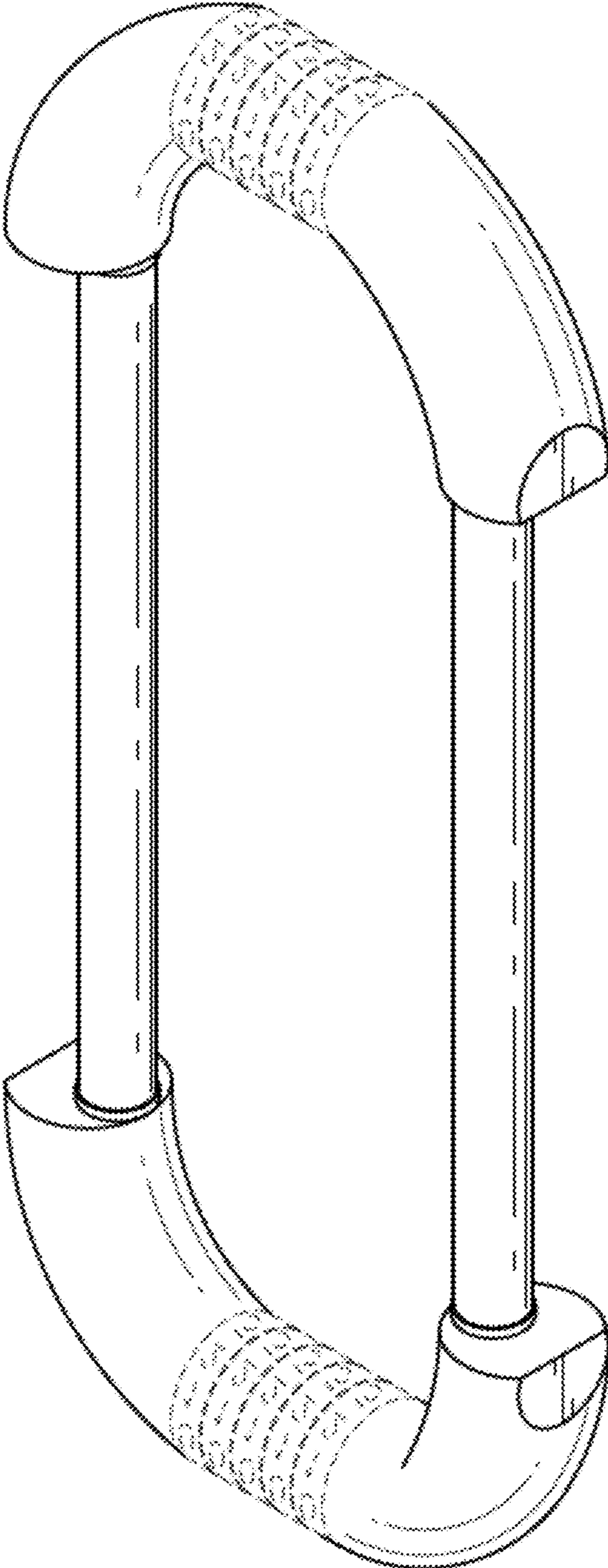


FIG. 5

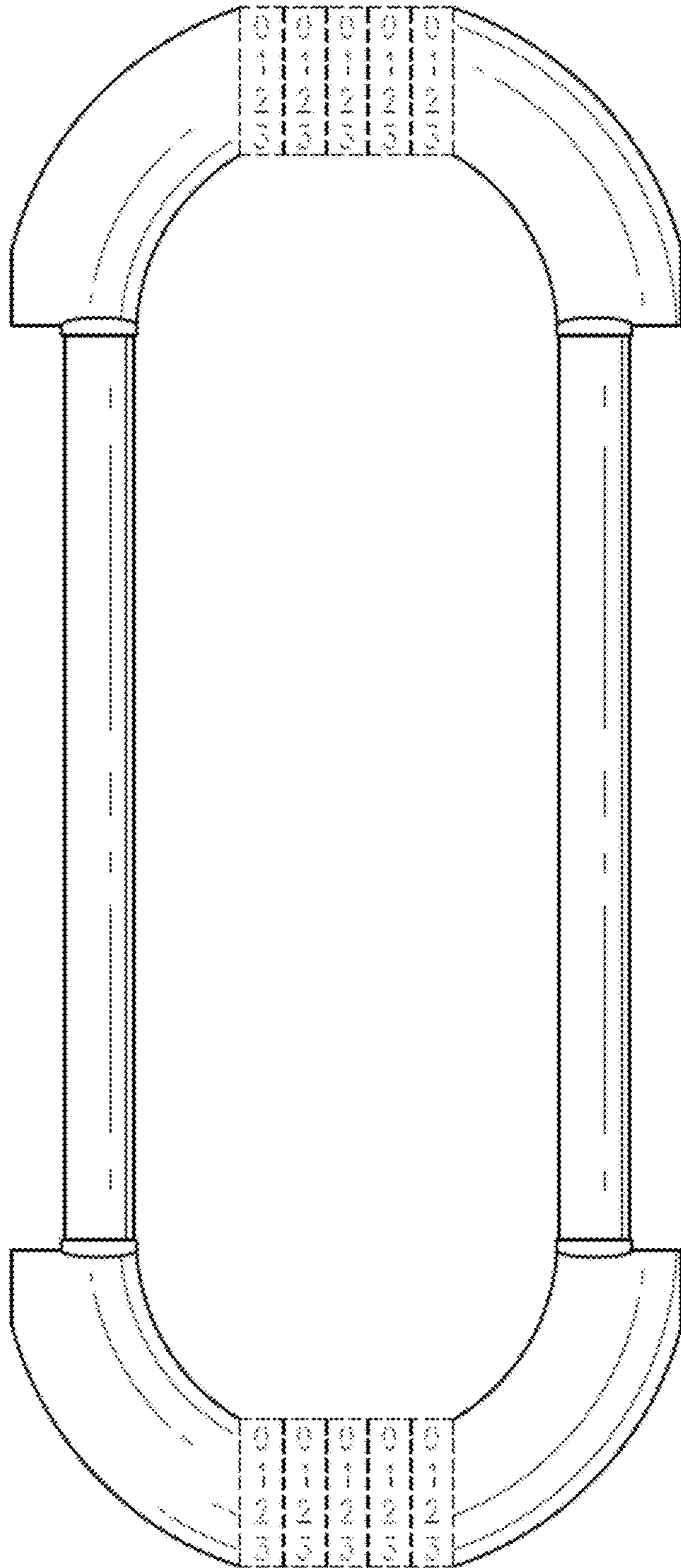


FIG. 6

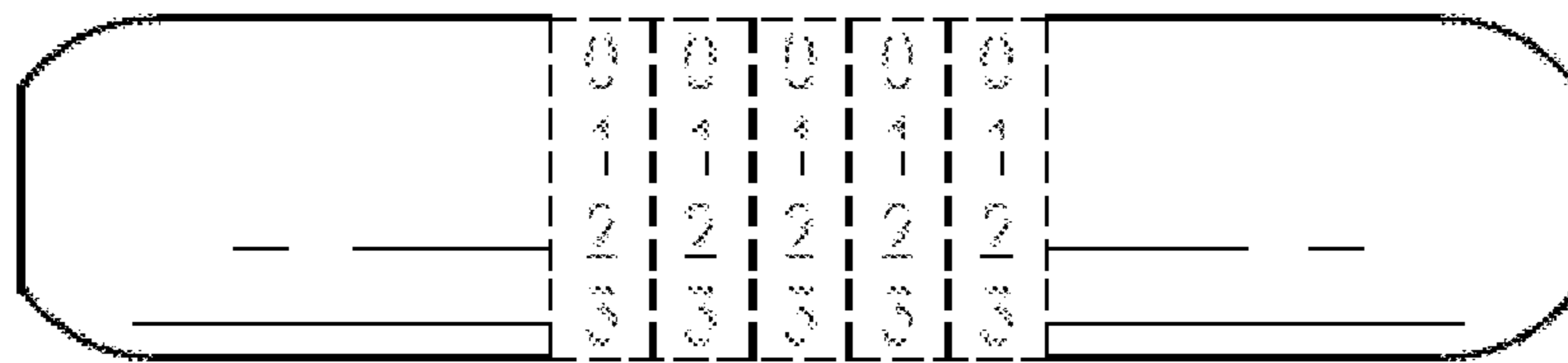


FIG. 7

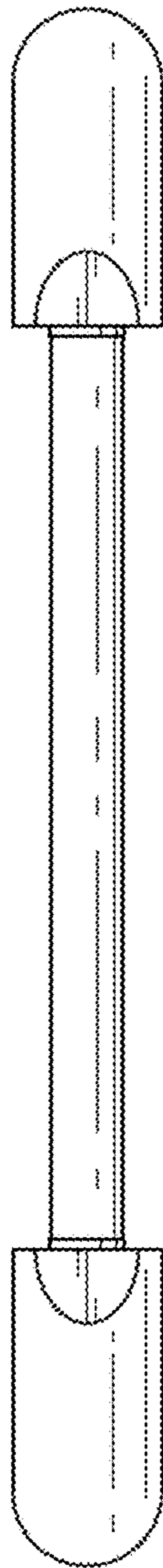


FIG. 8